



US00D562523S

(12) **United States Design Patent** (10) **Patent No.:** **US D562,523 S**  
**Blanchard et al.** (45) **Date of Patent:** **\*\* Feb. 19, 2008**

(54) **WASTE CONTAINER BIB**  
(75) Inventors: **Wesley J. Blanchard**, Charlotte, NC  
(US); **Gregory A. Pugh**, Wingate, NC  
(US)  
(73) Assignee: **Otto Industries North America, Inc.**,  
Charlotte, NC (US)  
(\*\*) Term: **14 Years**  
(21) Appl. No.: **29/250,981**  
(22) Filed: **Dec. 7, 2006**  
(51) **LOC (8) Cl.** ..... **09-09**  
(52) **U.S. Cl.** ..... **D34/10**  
(58) **Field of Classification Search** ..... D34/1-11;  
220/908-913, 625, 626, 367.1, 368, 373;  
232/43.2; 280/47.26  
See application file for complete search history.

D491,328 S \* 6/2004 Aiken et al. .... D34/5  
D509,335 S 9/2005 Tuduri  
D520,702 S \* 5/2006 Miller ..... D34/1  
D532,173 S \* 11/2006 Aiken et al. .... D34/5  
D542,000 S \* 5/2007 Miller ..... D34/5

**OTHER PUBLICATIONS**

Ameri-Kart waste container product details, available at [http://www.kart.com/bosskart\\_mainlg.html](http://www.kart.com/bosskart_mainlg.html) (May 11, 2006), 5 pages.  
Residential Waste Handling Systems from Ameri-Kart, available at [http://www.kart.com/res\\_megakart.html](http://www.kart.com/res_megakart.html), (May 11, 2006), 5 pages.  
Archived waste container product believed to be manufactured by Toter, 15 pages.

(Continued)

*Primary Examiner*—Cynthia E Ramirez  
(74) *Attorney, Agent, or Firm*—Alston & Bird LLP

(57) **CLAIM**

The ornamental design for a waste container bib, as shown and described.

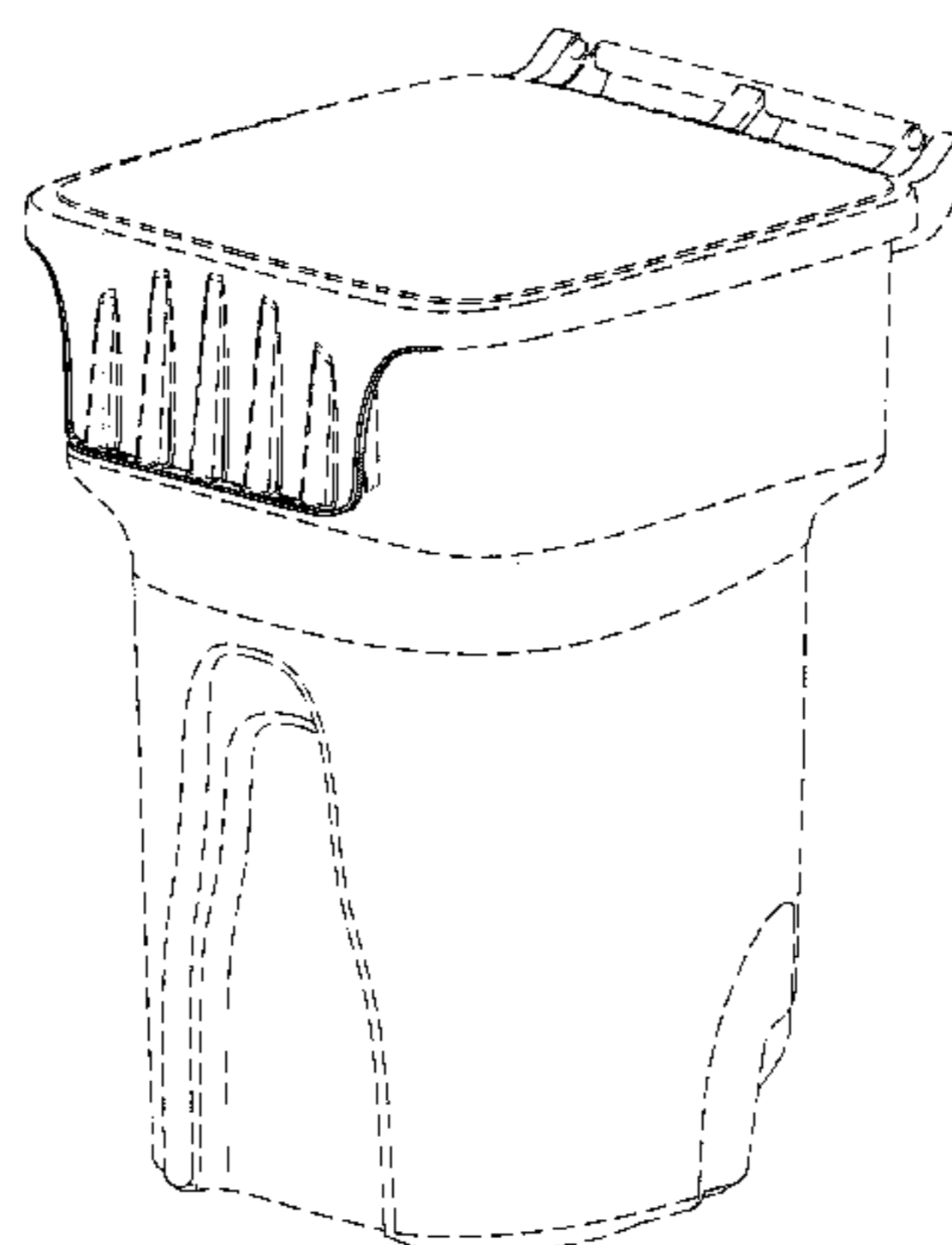
**DESCRIPTION**

FIG. 1 is a perspective view of a waste container bib according to an embodiment of the present invention;  
FIG. 2 is a detail perspective illustration of the waste container bib shown in FIG. 1;  
FIG. 3 is a front detail illustration of the waste container bib shown in FIG. 1;  
FIG. 4 is a top detail illustration of the waste container bib shown in FIG. 3;  
FIG. 5 is a left side elevation view of the waste container bib shown in FIG. 1, the right side elevation view being a mirror image thereof;  
FIG. 6 is a detail side elevation of the encircled area in FIG. 5, the right side elevation view being a mirror image thereof; and,  
FIG. 7 is a bottom detail illustration of the waste container bib shown in FIG. 5.

The broken lines shown herein are for illustrative purposes only and form no part of the claimed design.

**1 Claim, 7 Drawing Sheets**

(56) **References Cited**  
U.S. PATENT DOCUMENTS  
D231,184 S 4/1974 Brown et al.  
D292,638 S 11/1987 Carville  
D302,884 S 8/1989 Poisat  
D323,912 S 2/1992 Delmerico  
D323,914 S 2/1992 Doxey et al.  
D324,595 S 3/1992 Beese et al.  
D347,095 S 5/1994 Apps et al.  
D355,741 S 2/1995 Craft et al.  
D357,779 S 4/1995 Breen  
D365,428 S 12/1995 Prout et al.  
D366,742 S \* 1/1996 Chan ..... D34/1  
D374,530 S 10/1996 Prout et al.  
D388,577 S 12/1997 Rehrig et al.  
D398,120 S 9/1998 Rehrig et al.  
D400,332 S 10/1998 Sanden, Jr.  
D410,125 S 5/1999 Rehrig et al.  
D429,398 S 8/2000 Wysocki  
D445,228 S \* 7/2001 Apps et al. .... D34/5  
D462,838 S \* 9/2002 Van Lanningham ..... D3/304  
D471,336 S 3/2003 Tuduri  
D474,317 S 5/2003 Tuduri



OTHER PUBLICATIONS

Archived waste container product believed to be manufactured by Rubbermaid 6 pages.

Archived waste container product believed to be manufactured by Cascade Engineering, 6 pages.

Second archived waste container product believed to be manufactured by Cascade Engineering, 6 pages.

Archived waste container products believed to be manufactured by various othercompetitors, 4 pages.

\* cited by examiner

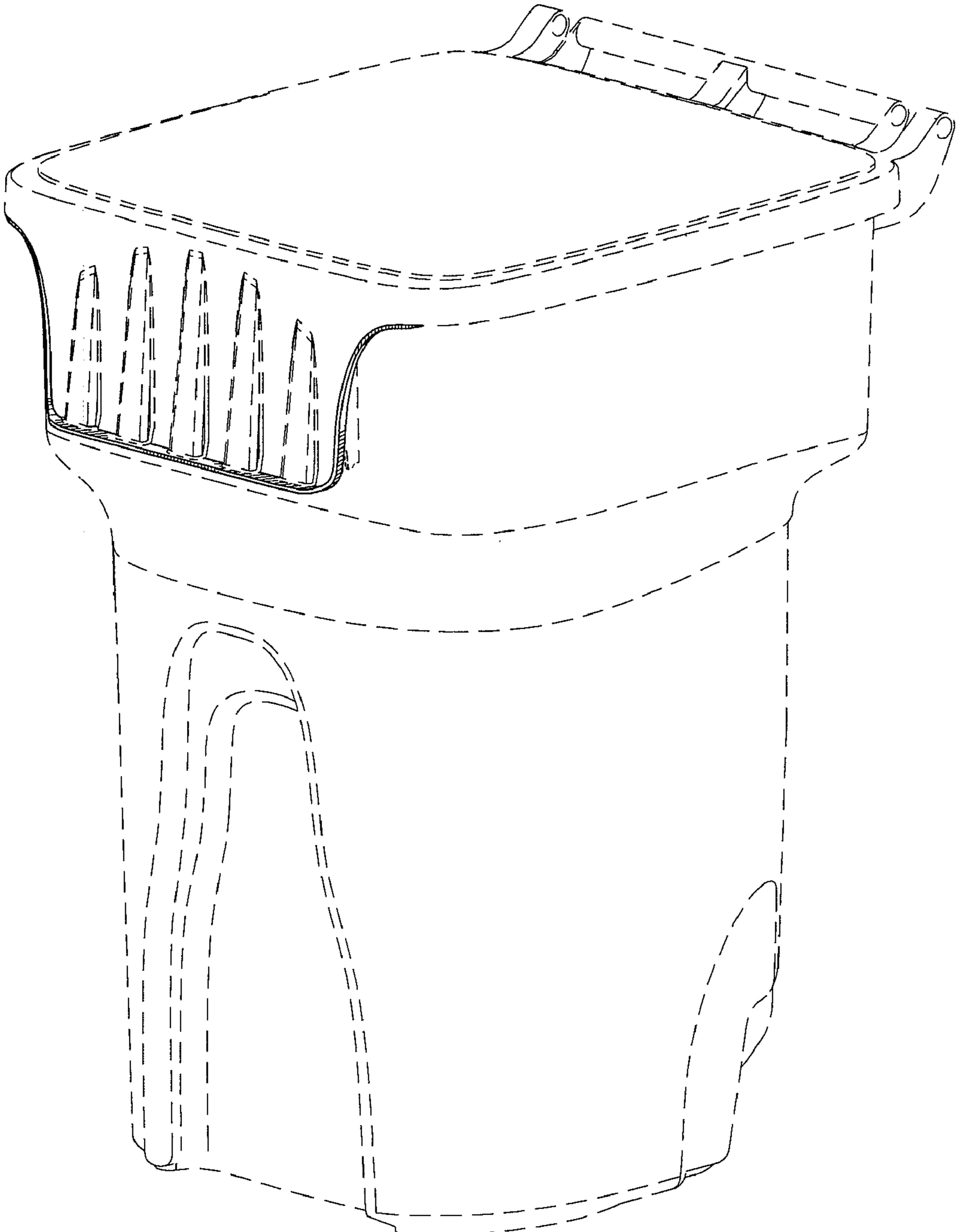


FIG. 1

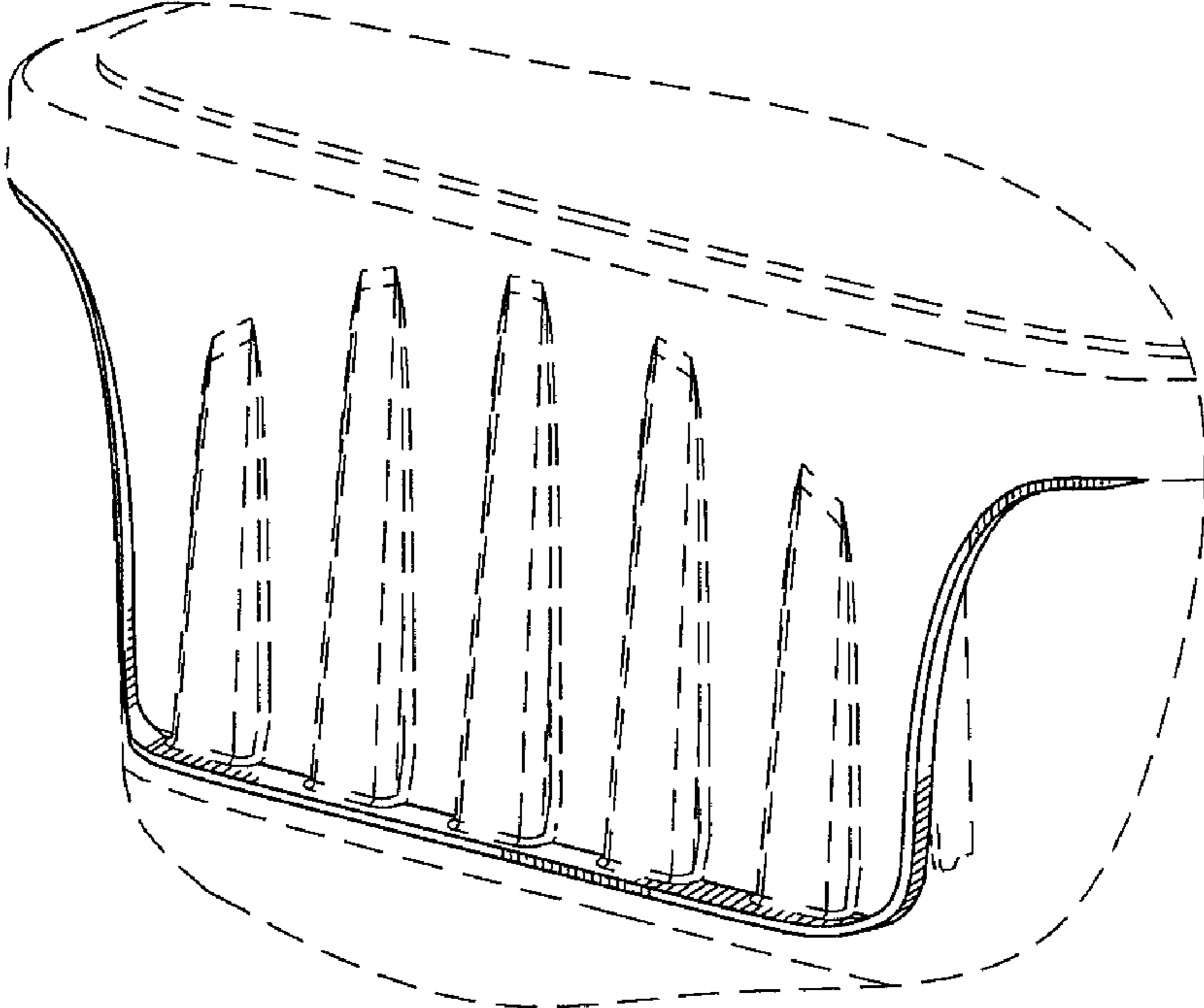


FIG. 2

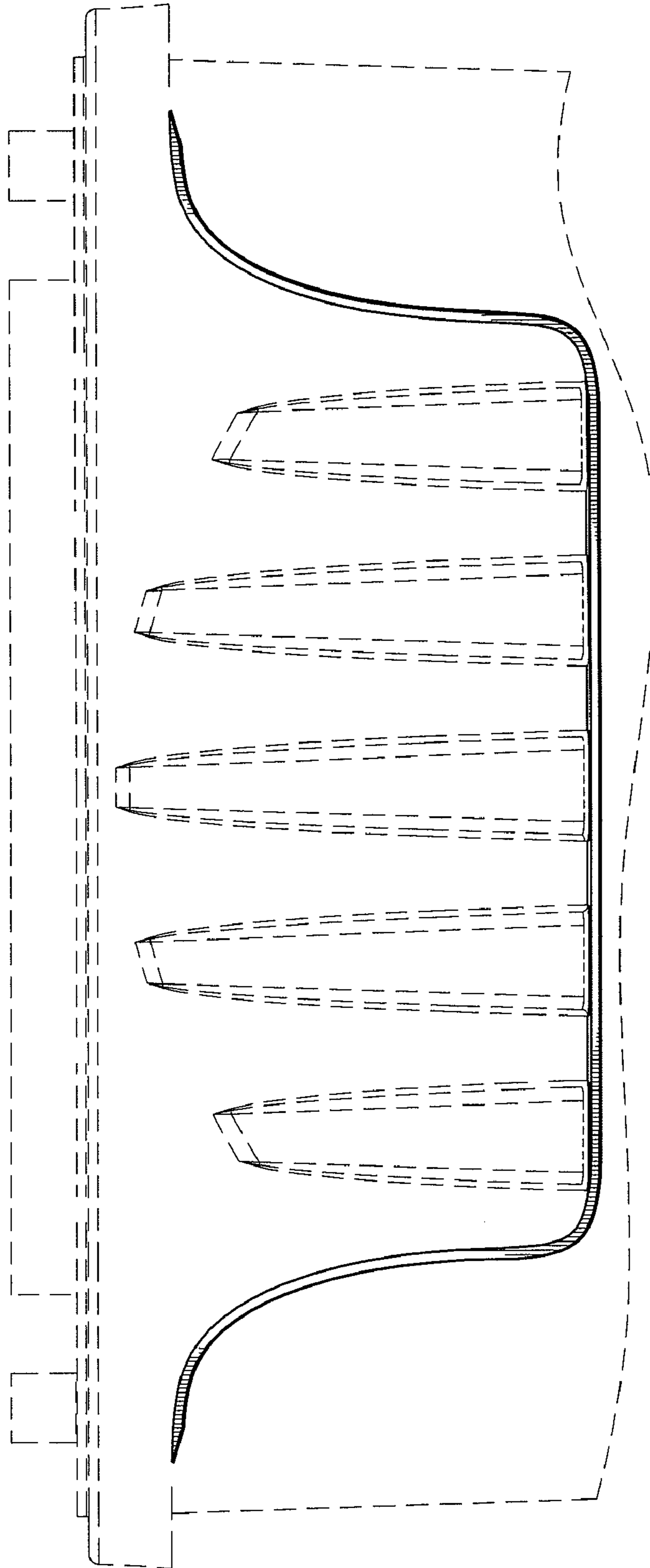


FIG. 3

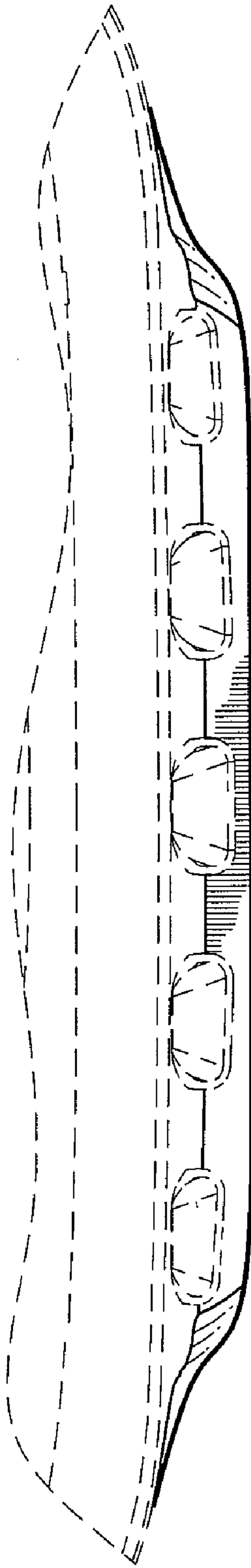


FIG. 4

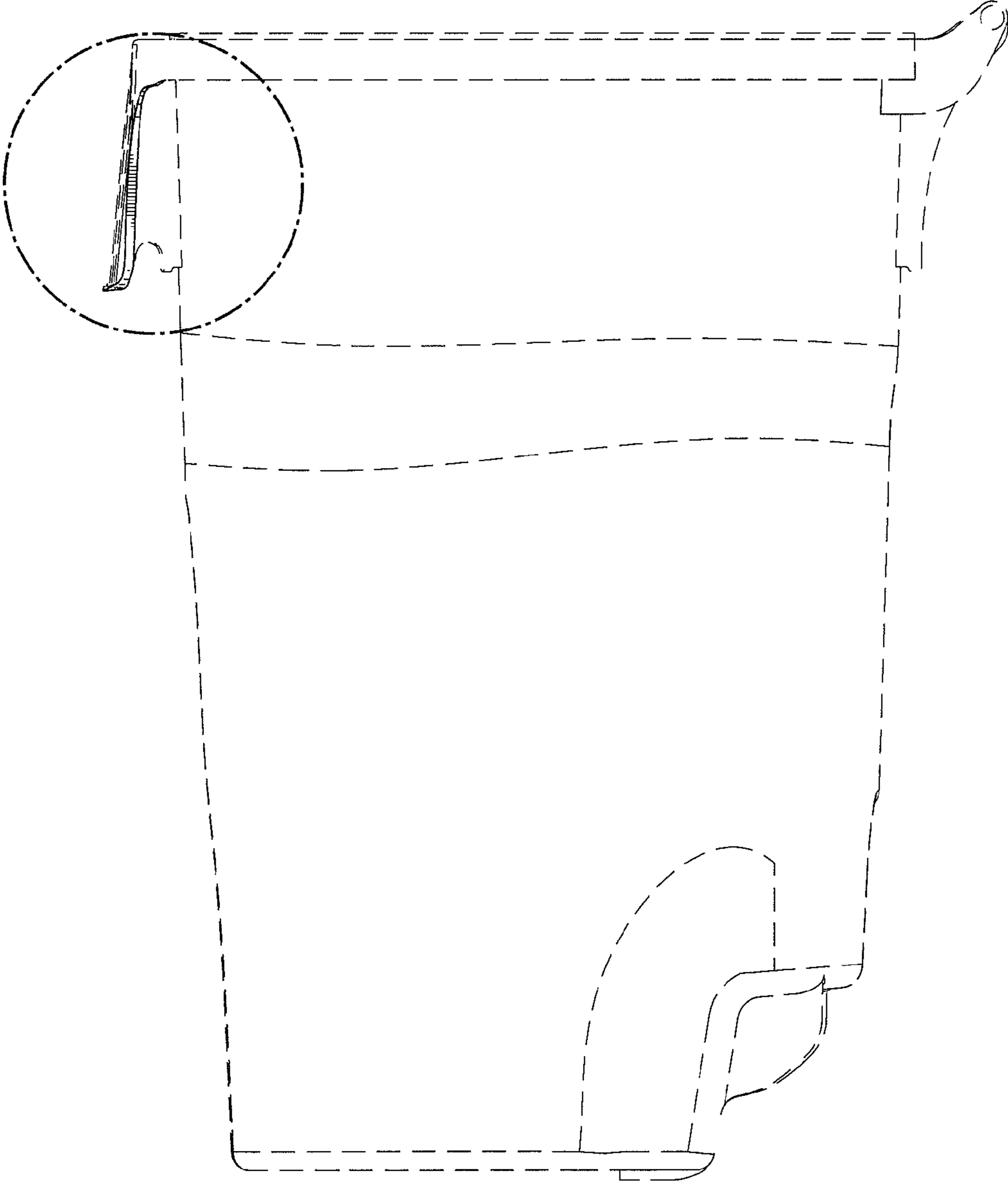


FIG. 5

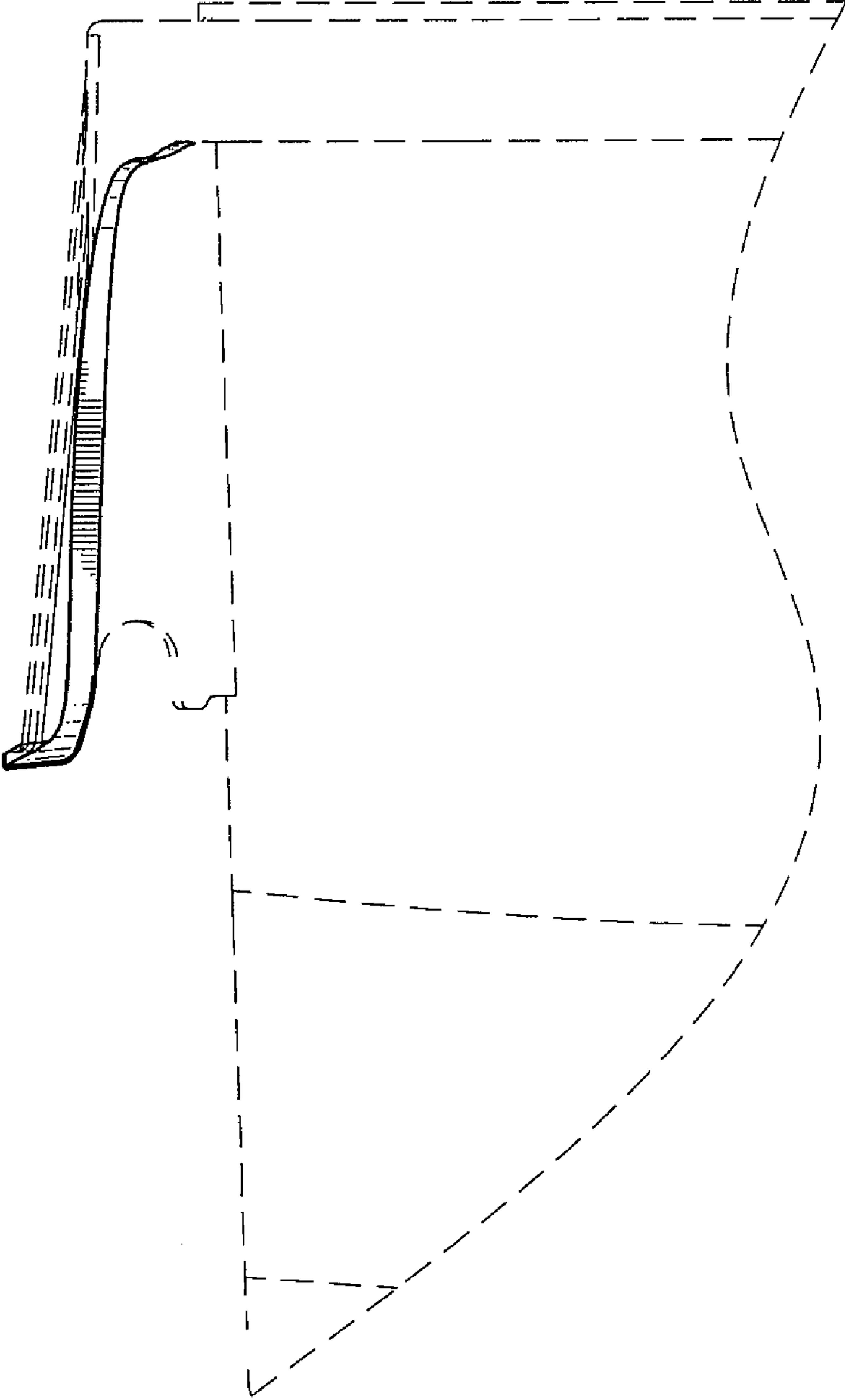


FIG. 6



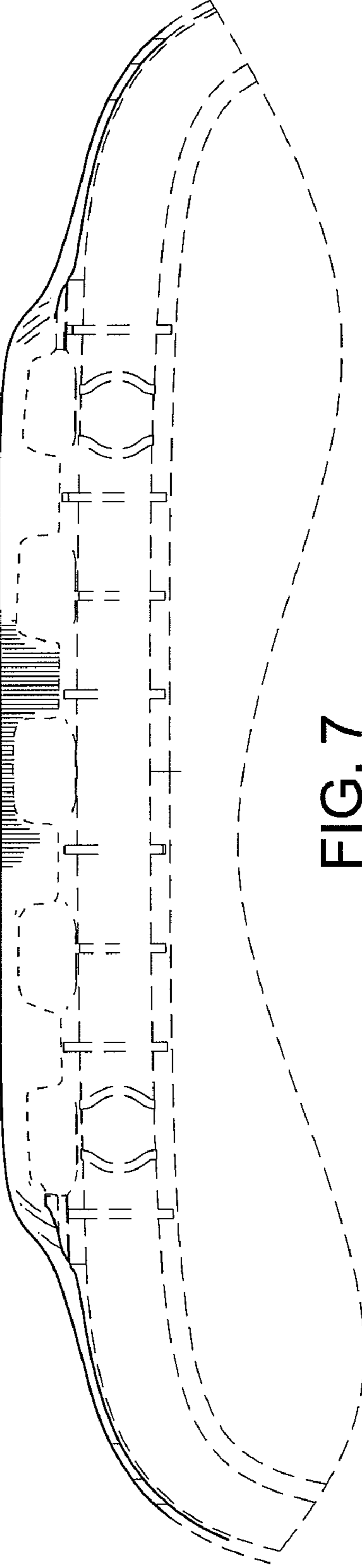


FIG. 7