



US00D562519S

(12) **United States Design Patent** (10) **Patent No.:** **US D562,519 S**
Palese et al. (45) **Date of Patent:** **** Feb. 19, 2008**

(54) **BOOT ATTACHMENT FOR A BOOT DRYER**

(75) Inventors: **Jeffrey W. Palese**, N. Ridgeville, OH (US); **Ling Zhou**, Strongsville, OH (US); **Robert Browning**, Middleburg Heights, OH (US)

(73) Assignee: **Pragotrade, Inc.**, Strongsville, OH (US)

(**) Term: **14 Years**

(21) Appl. No.: **29/273,558**

(22) Filed: **Mar. 8, 2007**

(51) **LOC (8) Cl.** **07-05**

(52) **U.S. Cl.** **D32/59**

(58) **Field of Classification Search** D32/25,
D32/8, 59; 34/417, 554, 104-106, 239, 437;
D2/641, 642, 979; 211/34, 35, 37
See application file for complete search history.

(56) **References Cited**

U.S. PATENT DOCUMENTS

1,281,927	A *	10/1918	Felton	34/104
1,444,264	A *	2/1923	O'Neill	34/104
3,154,392	A *	10/1964	Littman	34/104
4,085,519	A *	4/1978	Masika	34/104
4,136,464	A *	1/1979	Hay	34/104
D412,381	S	7/1999	Peet		
6,085,436	A	7/2000	Peet		
6,216,359	B1	4/2001	Peet		
6,889,448	B1 *	5/2005	Frew	34/417
D519,155	S *	4/2006	Scott	D19/34

OTHER PUBLICATIONS

http://www.peetshoedryer.com/assets/photos/db/products/8_26_m97footpiece_jpg.jpg Aug. 21, 2007.*

http://www.peetshoedryer.com/assets/photos/db/products/9_27_peeweefootpiece_jpg.jpg Aug. 21, 2007.*

<http://www.cozywinters.com/shop/dgs16eka.html> Aug. 21, 2007.*

* cited by examiner

Primary Examiner—Stella M. Reid

Assistant Examiner—Kathleen Sims

(74) *Attorney, Agent, or Firm*—Tarolli, Sundheim, Covell & Tummino LLP

(57) **CLAIM**

The ornamental design for a boot attachment for a boot dryer, as shown and described.

DESCRIPTION

FIG. 1 is a perspective view of a boot attachment for a boot dryer showing our new design;

FIG. 2 is a right side elevation view thereof;

FIG. 3 is a front elevation view thereof;

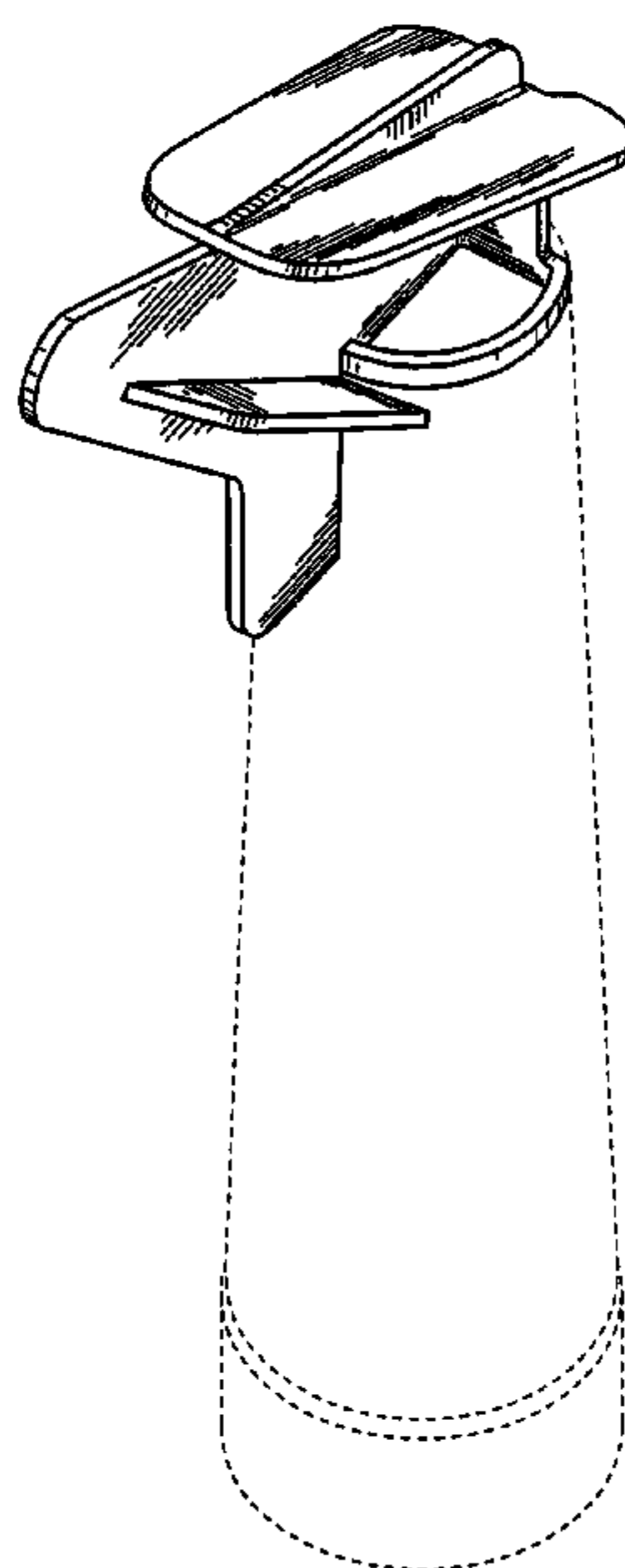
FIG. 4 is a rear elevation view thereof;

FIG. 5 is a top plan view thereof; and,

FIG. 6 is a bottom plan view.

The broken line showing of the base in FIGS. 1-6 is included for the purpose of illustrating portions of the boot attachment for a boot dryer and forms no part of the claimed design.

1 Claim, 3 Drawing Sheets



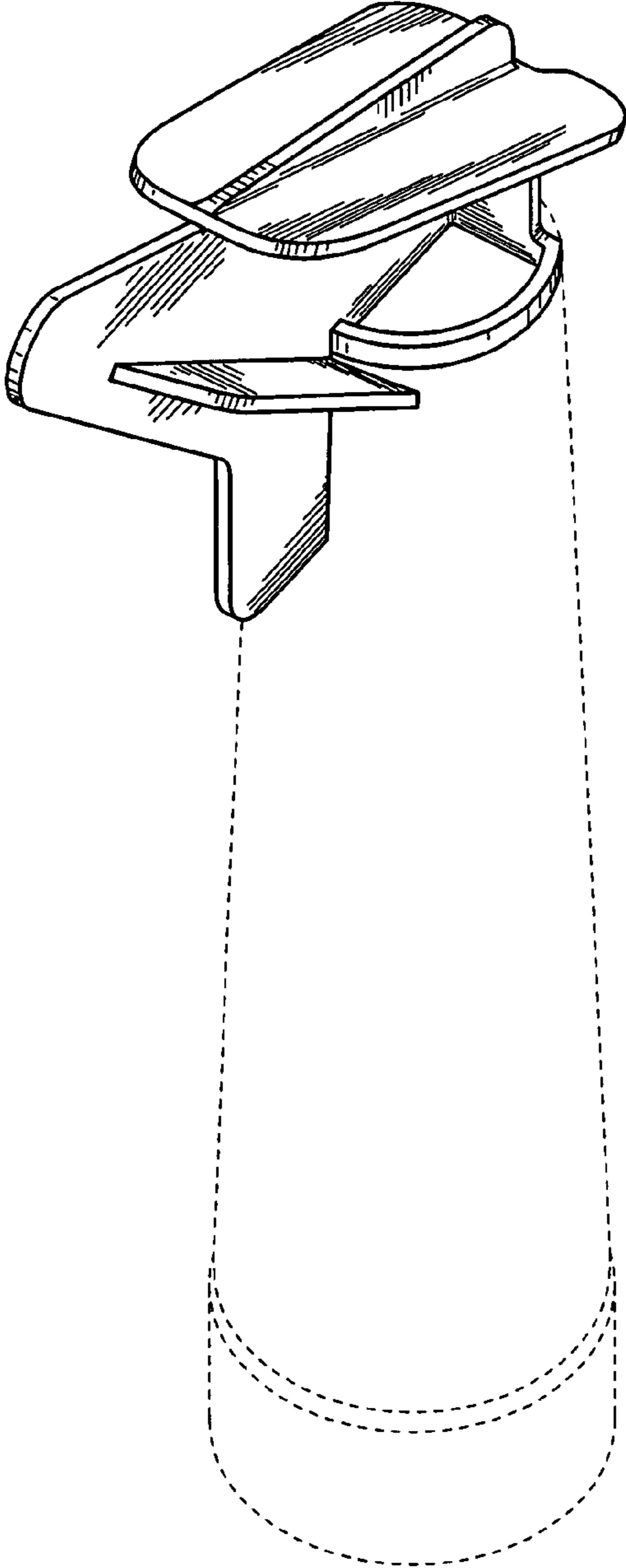


Fig. 1

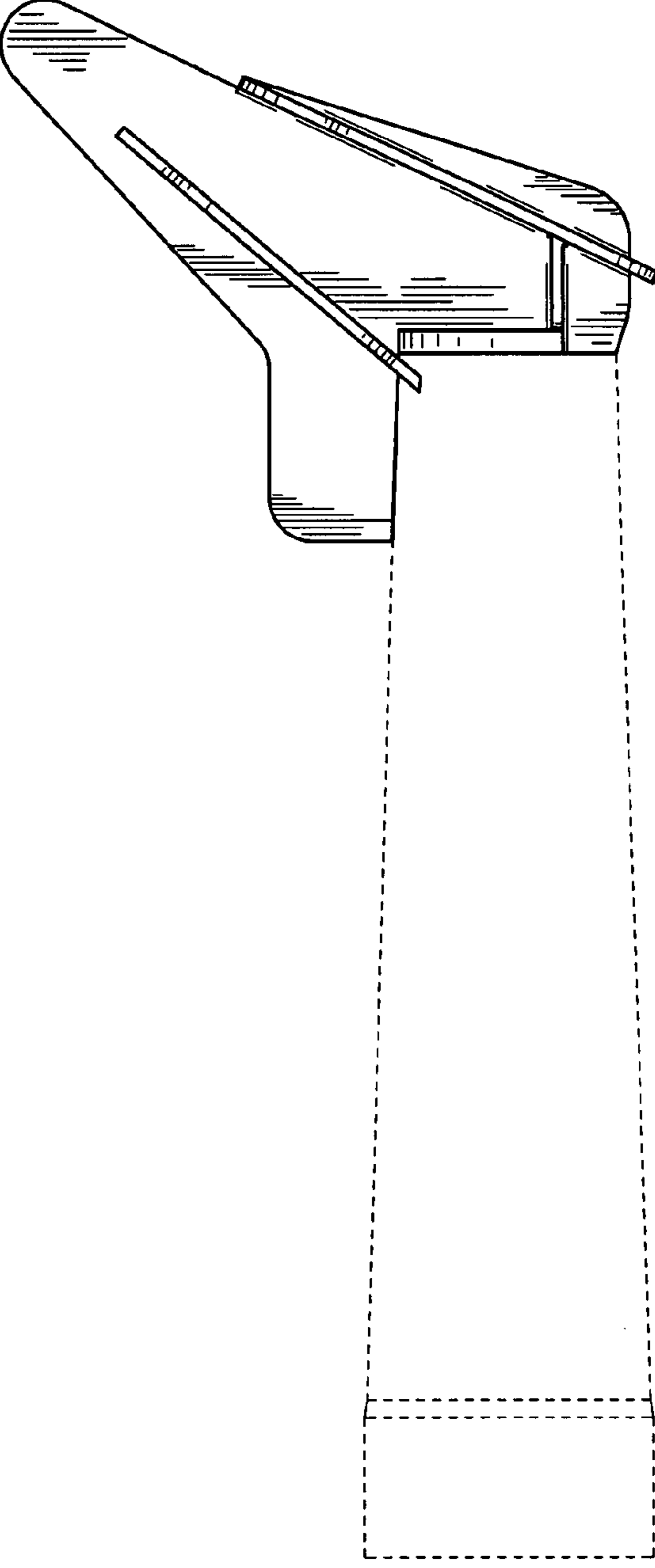


Fig. 2

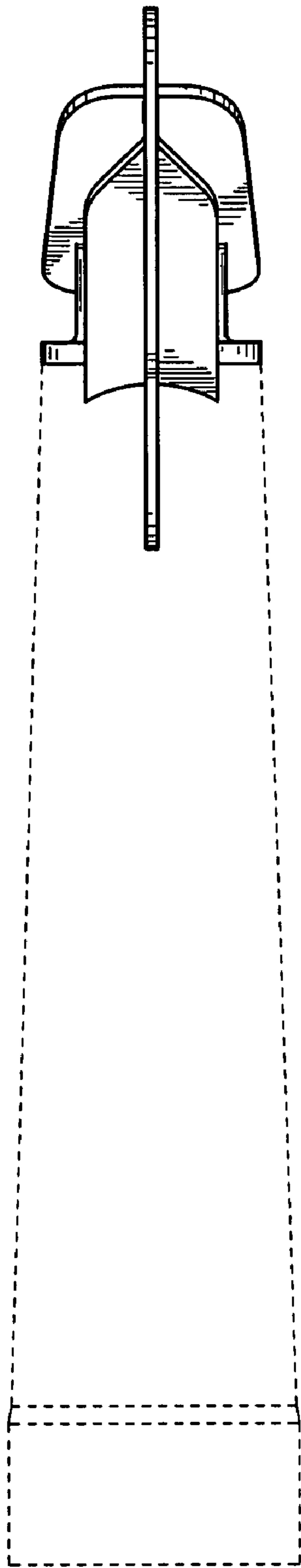


Fig. 3

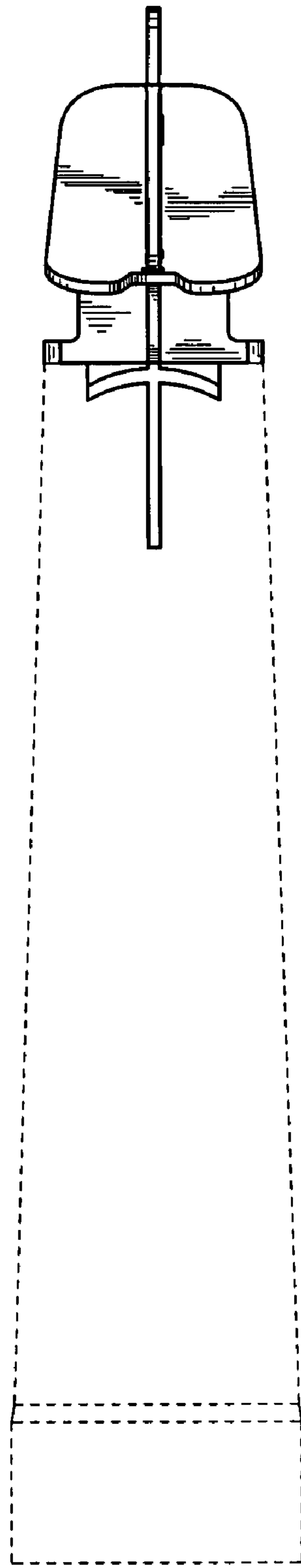


Fig. 4

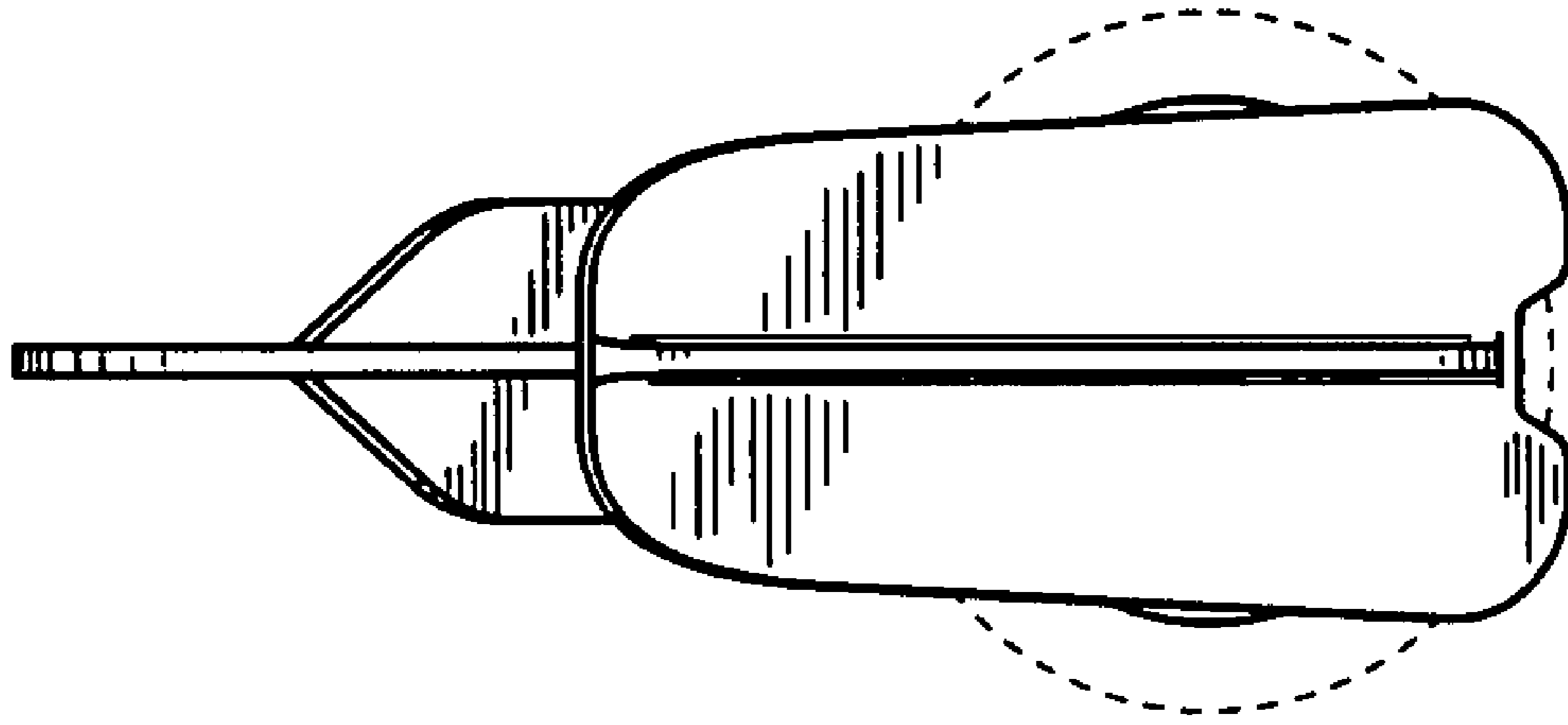


Fig. 5

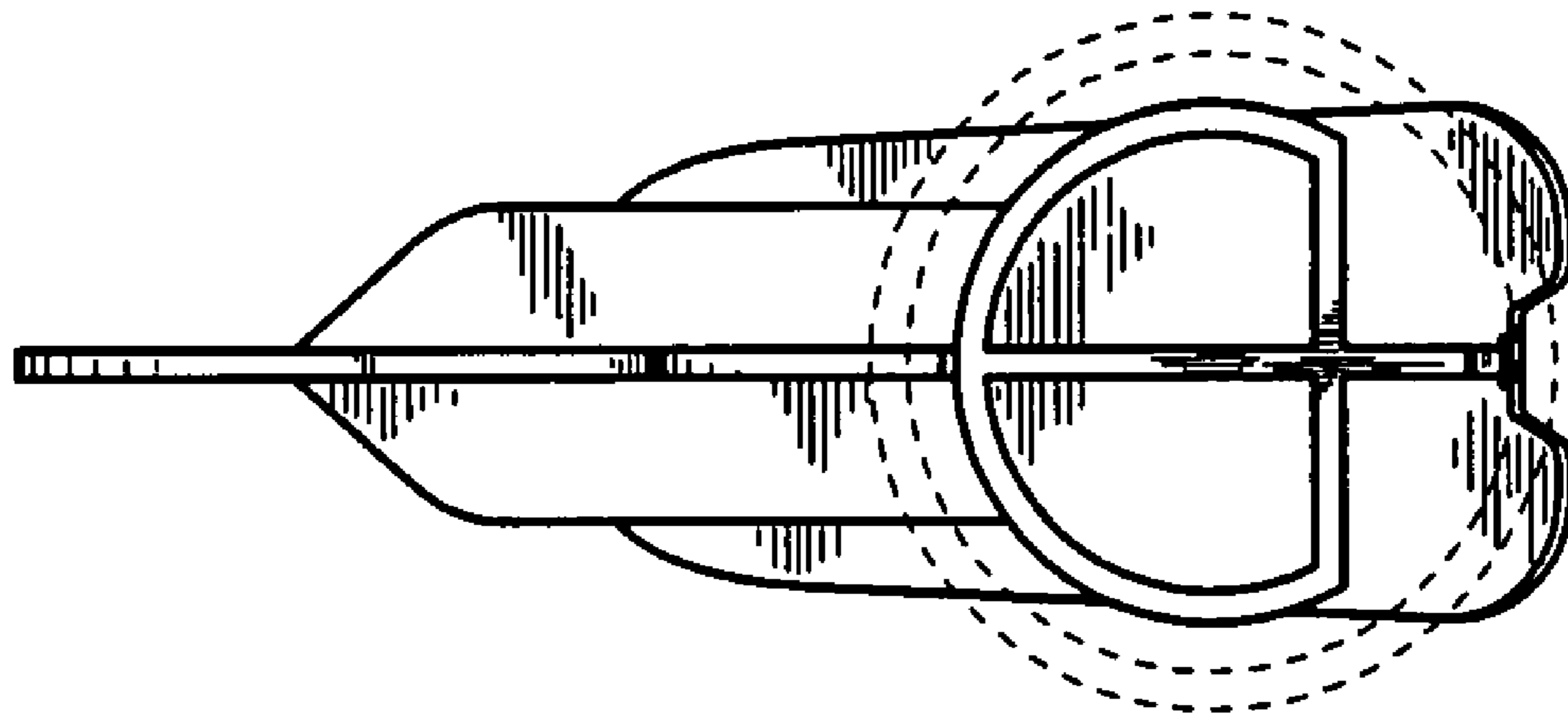


Fig. 6