



US00D562518S

(12) **United States Design Patent**
Lundy

(10) **Patent No.:** **US D562,518 S**

(45) **Date of Patent:** **** Feb. 19, 2008**

(54) **PAINT VESSEL COVER**

(76) Inventor: **Michael J. Lundy**, 2718 W. Onza Cir.,
Mesa, AZ (US) 85202

(**) Term: **14 Years**

(21) Appl. No.: **29/279,770**

(22) Filed: **May 7, 2007**

(51) **LOC (8) Cl.** **07-07**

(52) **U.S. Cl.** **D32/54**

(58) **Field of Classification Search** D32/53,
D32/53.1, 54; D7/601, 603; D9/428, 435,
D9/453-454; 220/507, 552, 528, 908, 359.2,
220/780-783, 790, 792, 796-797

See application file for complete search history.

(56) **References Cited**

U.S. PATENT DOCUMENTS

D345,833 S *	4/1994	Truran	D32/54
D391,717 S *	3/1998	Stein	D32/54
D400,329 S *	10/1998	Lindo	D32/53.1
D467,398 S *	12/2002	Kohn	D32/53.1
D476,787 S *	7/2003	Templeton	D32/54
D489,261 S *	5/2004	Doelling	D9/447
6,866,629 B2 *	3/2005	Bardy	600/300

* cited by examiner

Primary Examiner—Pamela J. Burgess

(74) *Attorney, Agent, or Firm*—Parsons & Goltry; Robert A. Parsons; Michael W. Goltry

(57) **CLAIM**

The ornamental design for a paint vessel cover, as shown and described.

DESCRIPTION

FIG. 1 is a top perspective view of a paint vessel cover showing my new design;

FIG. 2 is a reduced scale top plan view of the paint vessel cover showing my new design;

FIG. 3 is a bottom plan view of the paint vessel cover showing my new design;

FIG. 4 is a front elevation view thereof;

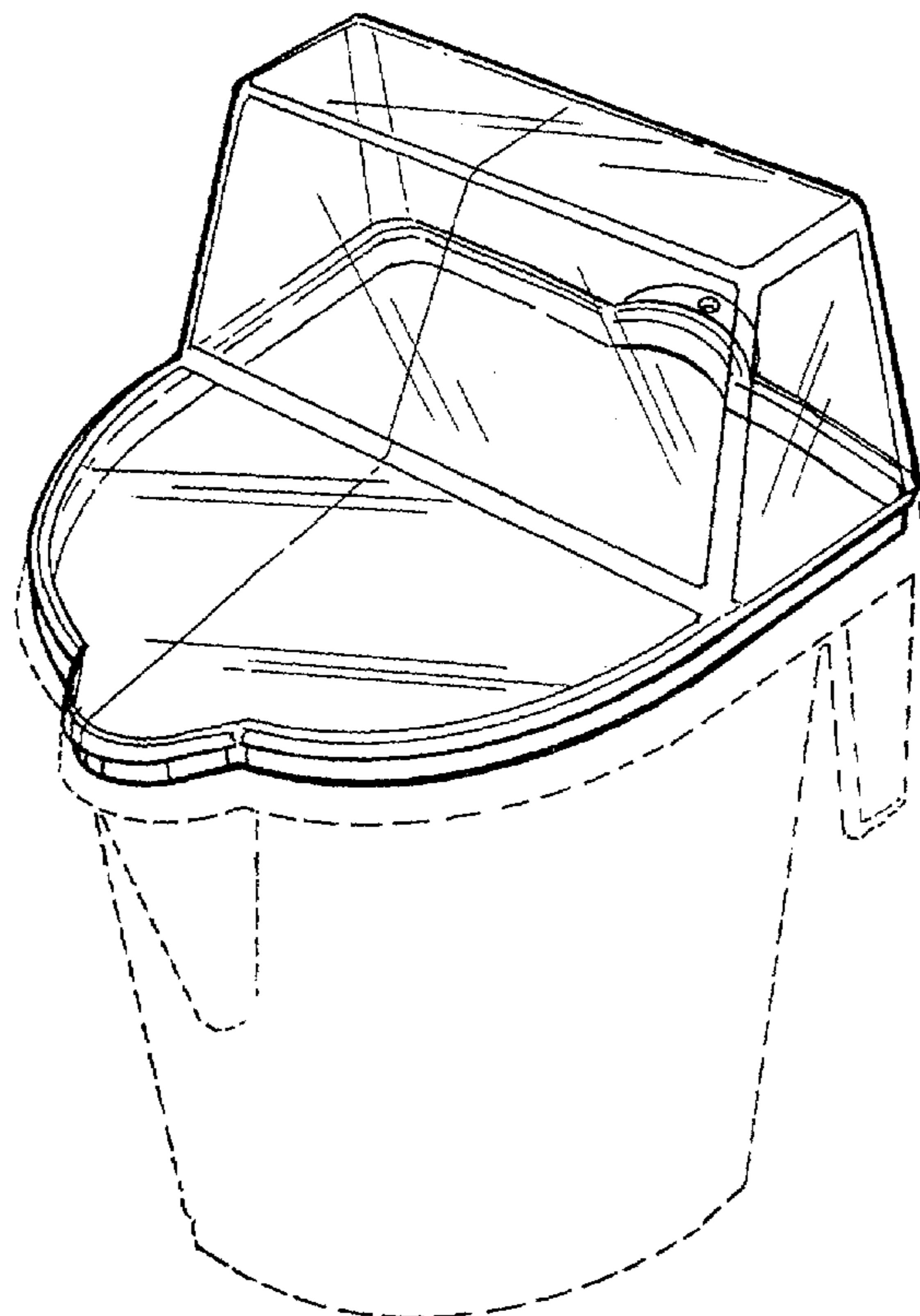
FIG. 5 is a rear elevation view thereof;

FIG. 6 is a right side elevation view thereof; and,

FIG. 7 is a left side elevation view thereof.

The broken lines in the drawings are included for the purpose of illustrating environmental structure and form no part of the claimed design.

1 Claim, 3 Drawing Sheets



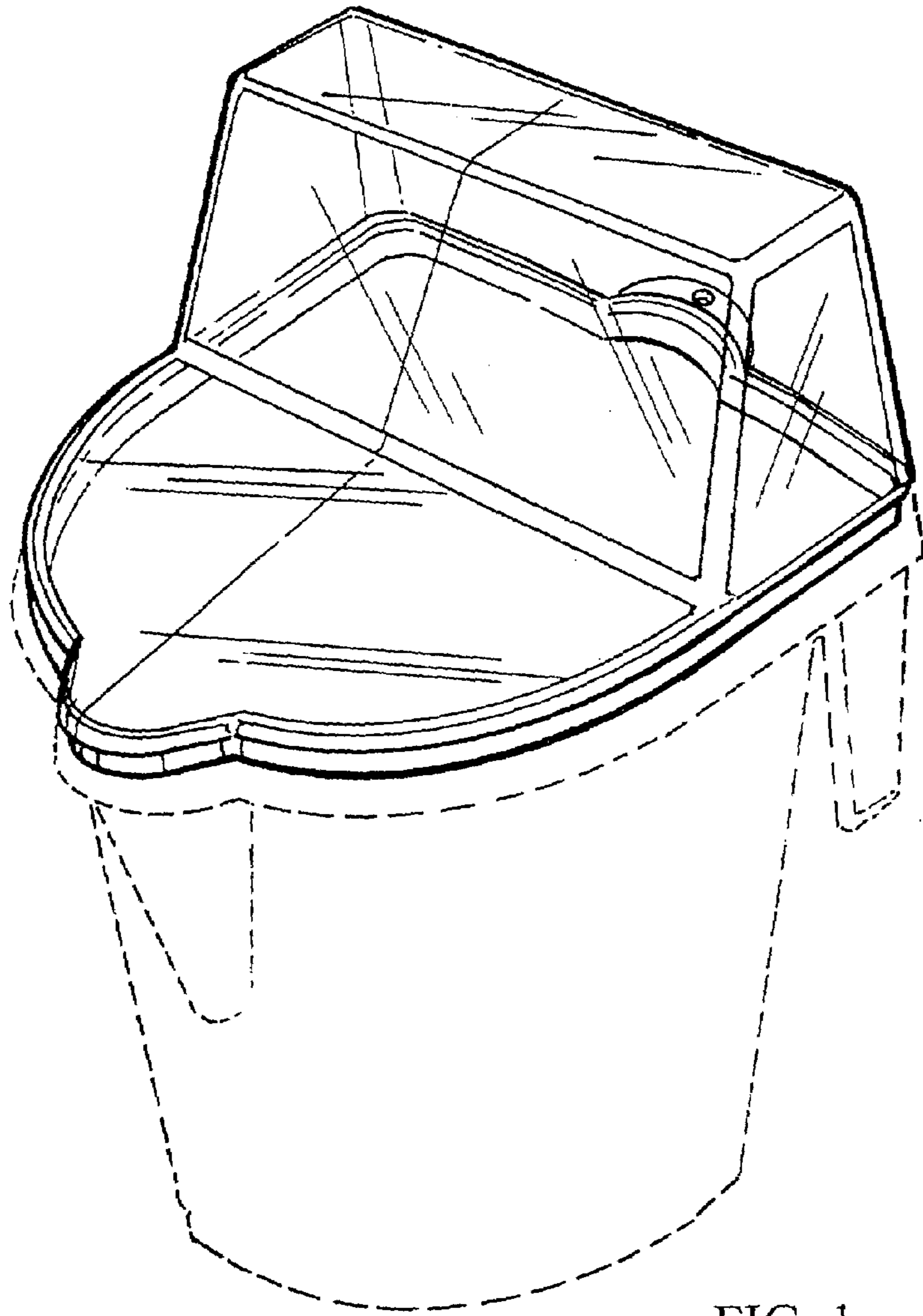


FIG. 1

FIG. 2

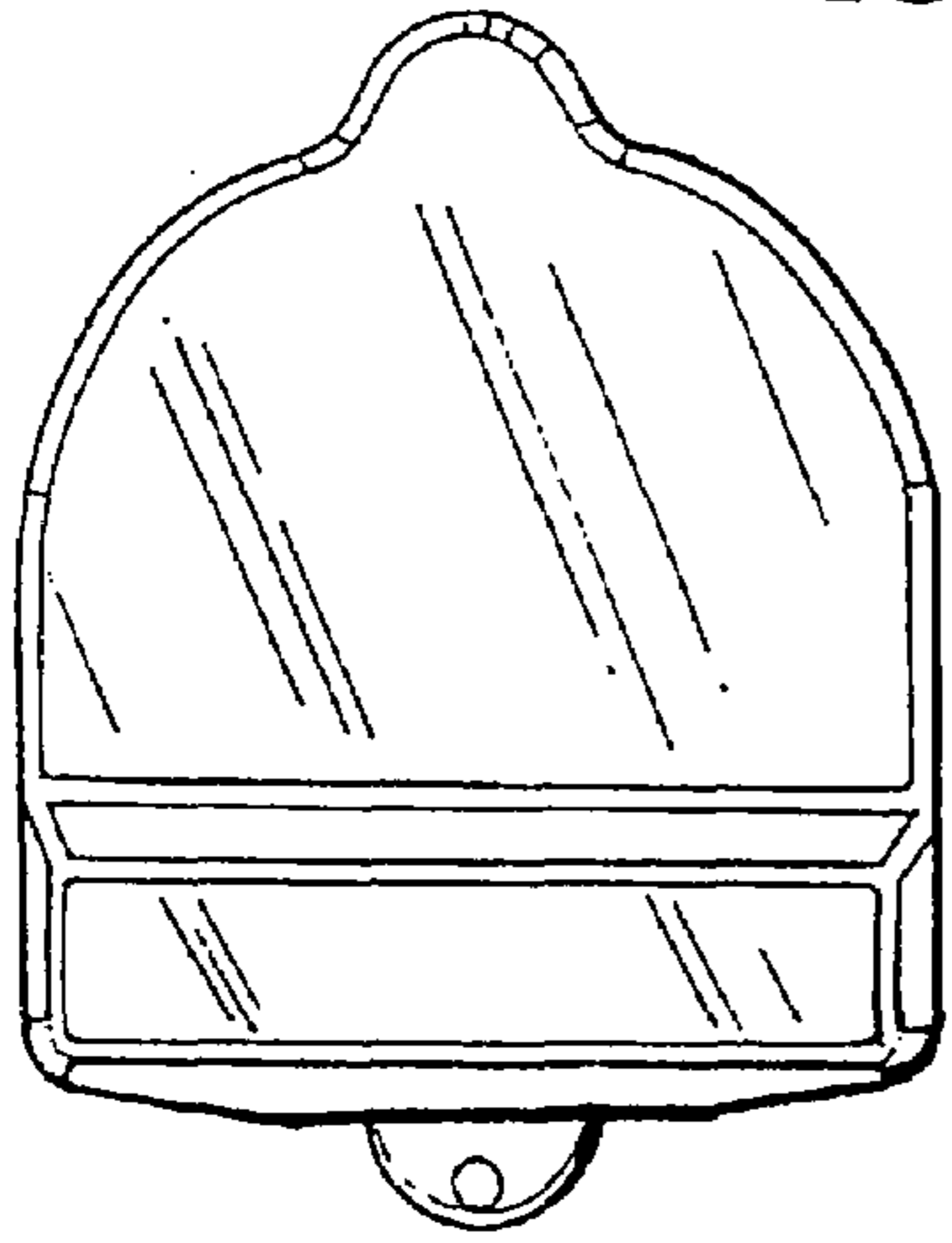


FIG. 3

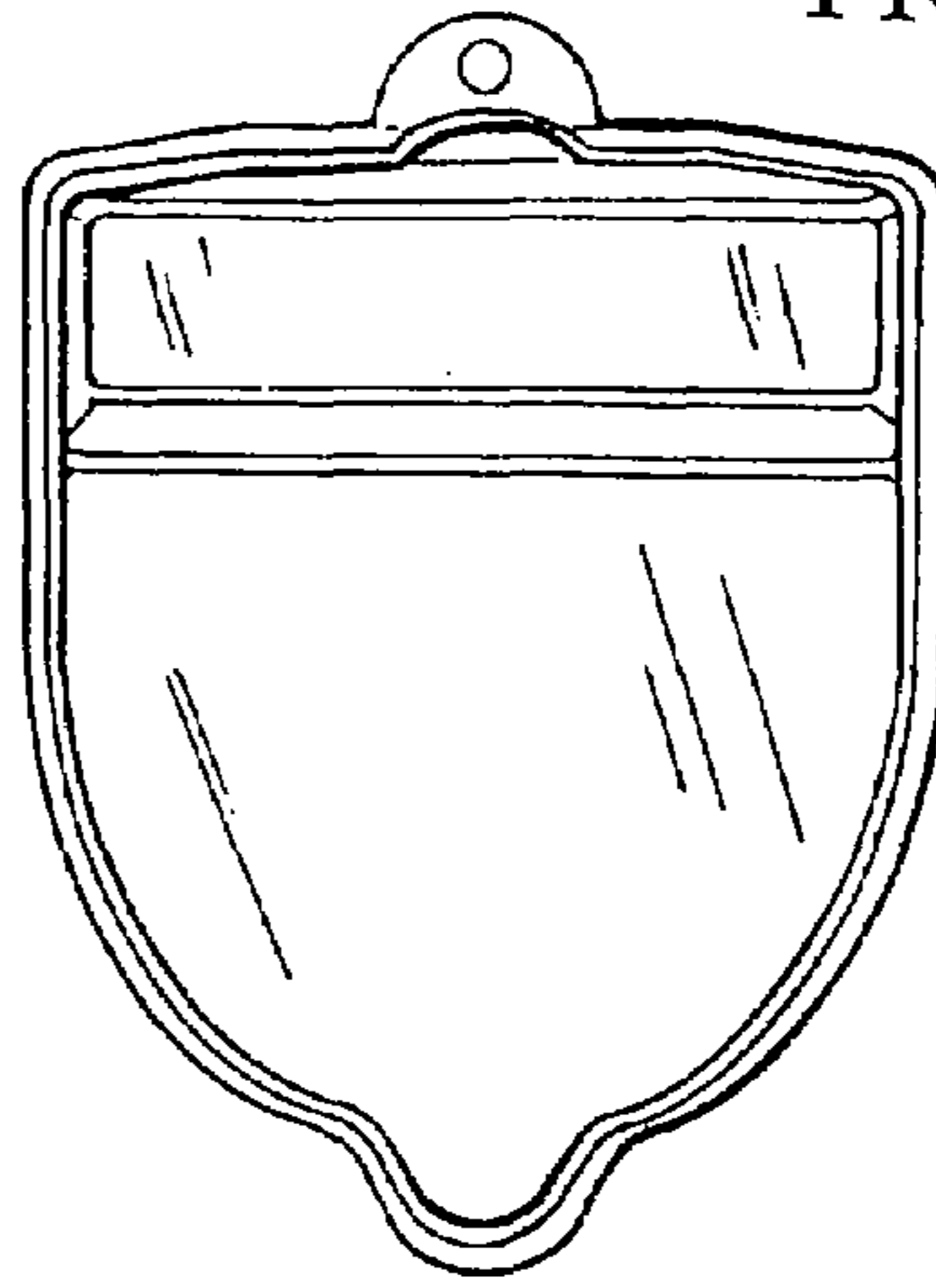


FIG. 4

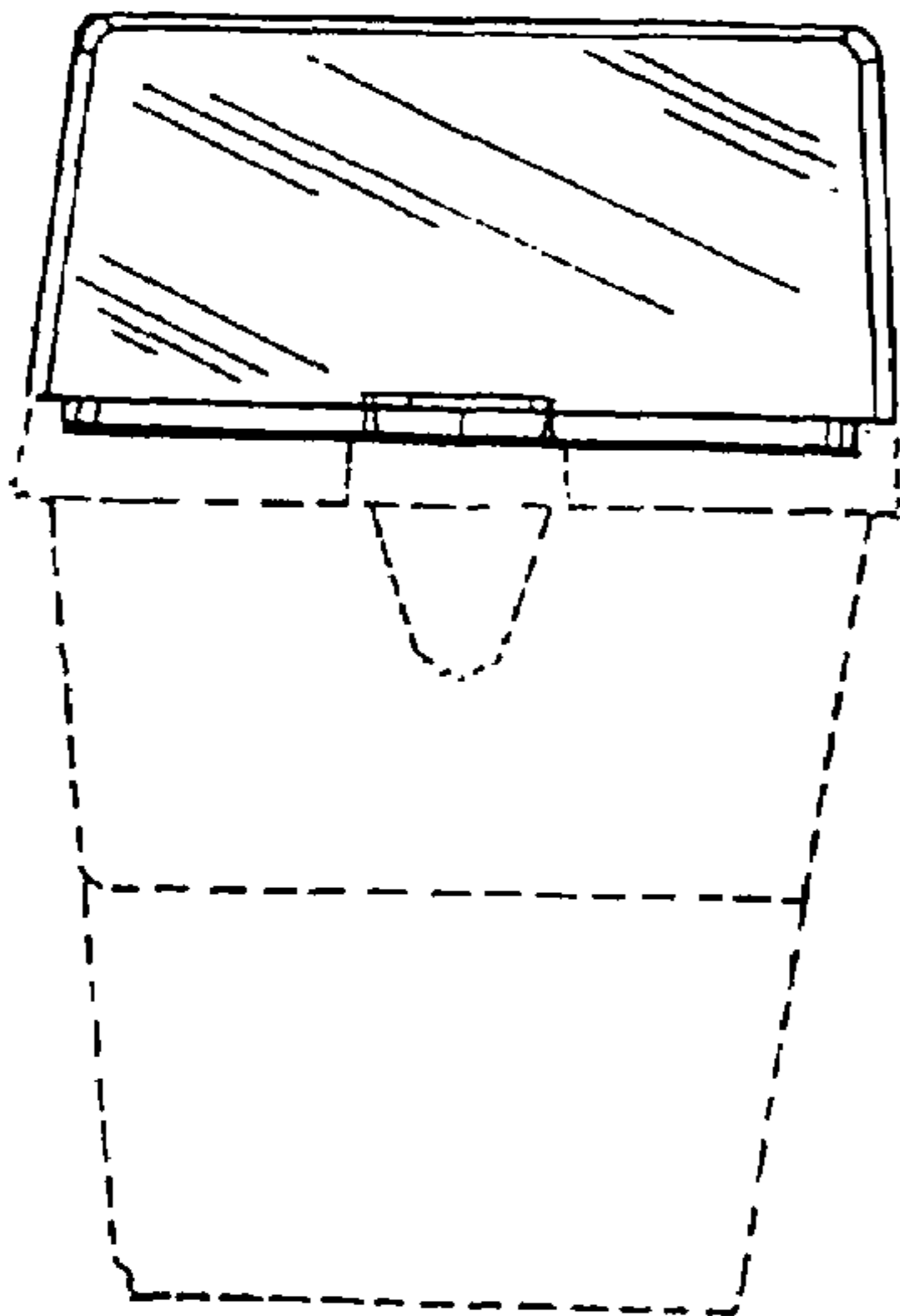


FIG. 5

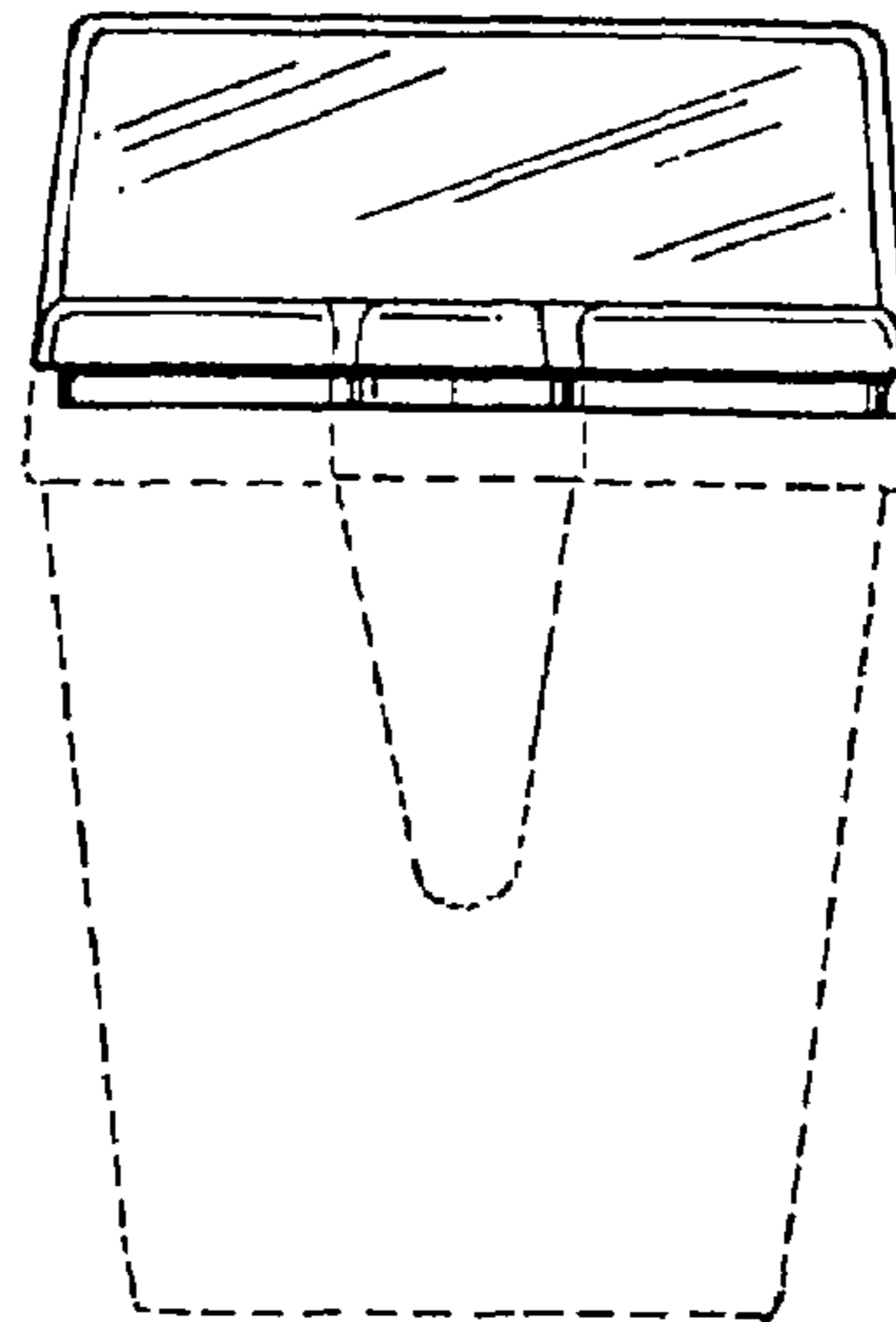


FIG. 6

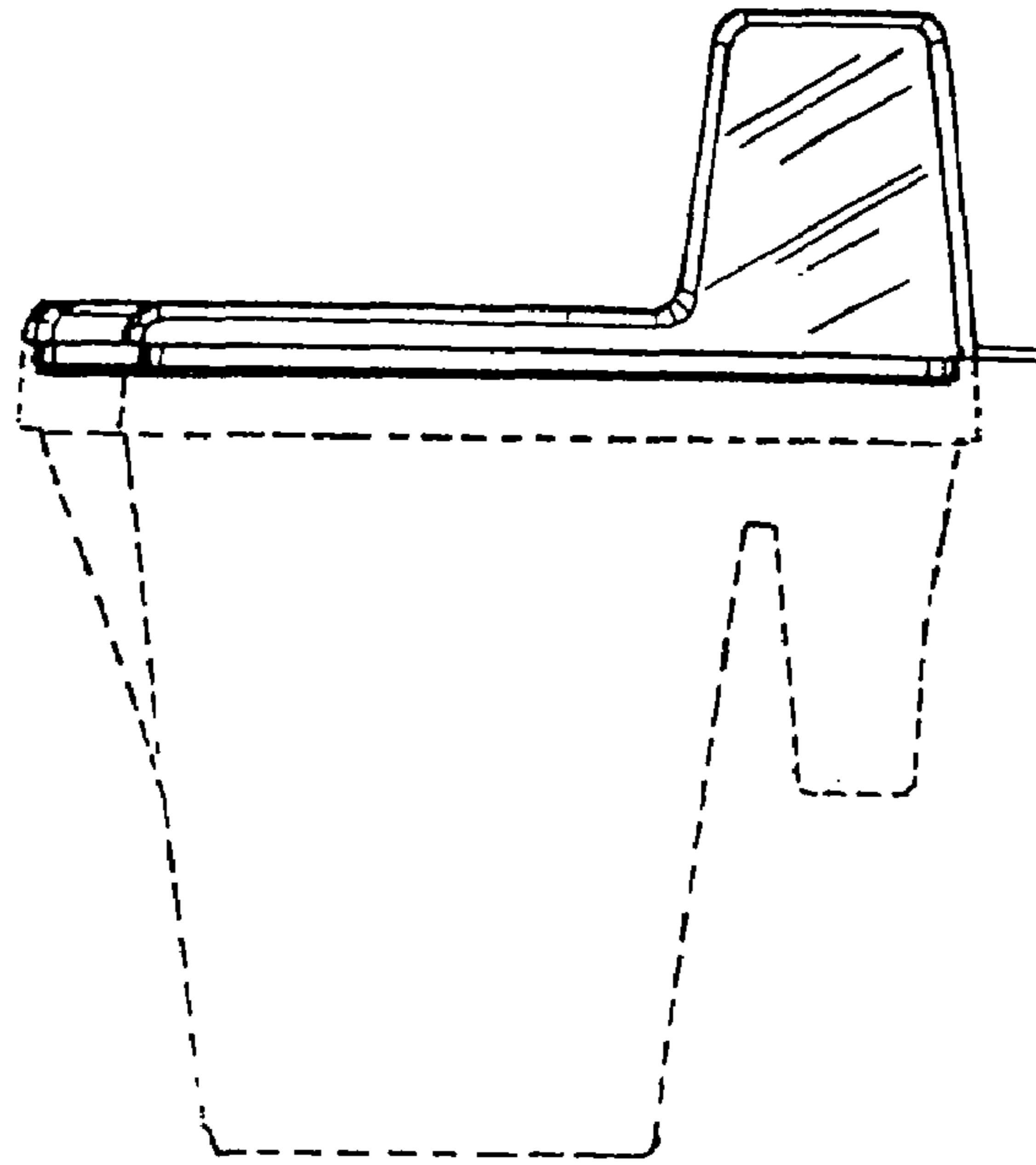


FIG. 7

