



US00D562514S

(12) **United States Design Patent**  
**Miyanaga**

(10) **Patent No.:** **US D562,514 S**

(45) **Date of Patent:** **\*\* Feb. 19, 2008**

(54) **DUST COLLECTING PAD**

(75) Inventor: **Masaaki Miyanaga**, Hyogo (JP)

(73) Assignee: **Kabushiki Kaisha Miyanaga**, Miki-Shi (JP)

(\*\*) Term: **14 Years**

(21) Appl. No.: **29/233,644**

(22) Filed: **Jul. 7, 2005**

(30) **Foreign Application Priority Data**

Jan. 12, 2005 (JP) ..... 2005-000611

(51) **LOC (8) Cl.** ..... **04-01**

(52) **U.S. Cl.** ..... **D32/40**

(58) **Field of Classification Search** ..... D32/15,  
D32/17, 18, 21, 40, 50, 51, 52; D4/199;  
15/147.1, 147.2, 209.1, 210.1, 220.1, 228,  
15/229.3, 229.4, 229.7, 229.8, 224.1, 224.2  
See application file for complete search history.

(56) **References Cited**

**U.S. PATENT DOCUMENTS**

1,508,941	A *	9/1924	Severns	.....	15/229.6
2,317,260	A *	4/1943	Domenk	.....	403/152
D374,750	S *	10/1996	Vanderhoef et al.	.....	D32/50
5,625,918	A *	5/1997	Kieson et al.	.....	15/119.2
D453,981	S *	2/2002	Brown	.....	D32/40
D454,237	S *	3/2002	Brown	.....	D32/40
D460,232	S *	7/2002	Weihrauch	.....	D32/50
D468,878	S *	1/2003	Reede	.....	D32/50
D480,852	S *	10/2003	Farce	.....	D32/40
D514,761	S *	2/2006	Sregni et al.	.....	D32/40
2002/0000017	A1 *	1/2002	Brown et al.	.....	15/227

2005/0217698	A1 *	10/2005	Mitchell et al.	.....	134/6
2006/0168748	A1 *	8/2006	Dotterman et al.	.....	15/115
2006/0169301	A1 *	8/2006	Haskett et al.	.....	134/6
2007/0067932	A1 *	3/2007	Young et al.	.....	15/104.94

\* cited by examiner

*Primary Examiner*—Cathron Brooks

*Assistant Examiner*—Barbara Fox

(74) *Attorney, Agent, or Firm*—Marshall, Gerstein & Borun LLP

(57) **CLAIM**

The ornamental design for a dust collecting pad, as shown and described.

**DESCRIPTION**

FIG. 1 is a front view of a dust collecting pad, showing my new design, the rear view being a mirror image;

FIG. 2 is a plan view thereof;

FIG. 3 is a bottom plan view thereof;

FIG. 4 is a left side view thereof;

FIG. 5 is a right side view thereof;

FIG. 6 is a sectional view thereof, taken along the line 6—6 of FIG. 2;

FIG. 7 is a partial enlarged view of a portion of the dust collecting pad of FIG. 6;

FIG. 8 is a perspective view of the dust collecting pad; and,

FIG. 9 is a plan view thereof, showing a rotated cover portion, rotated 180° from the position shown in FIG. 2.

The broken lines in the drawings represent unclaimed subject matter.

**1 Claim, 3 Drawing Sheets**

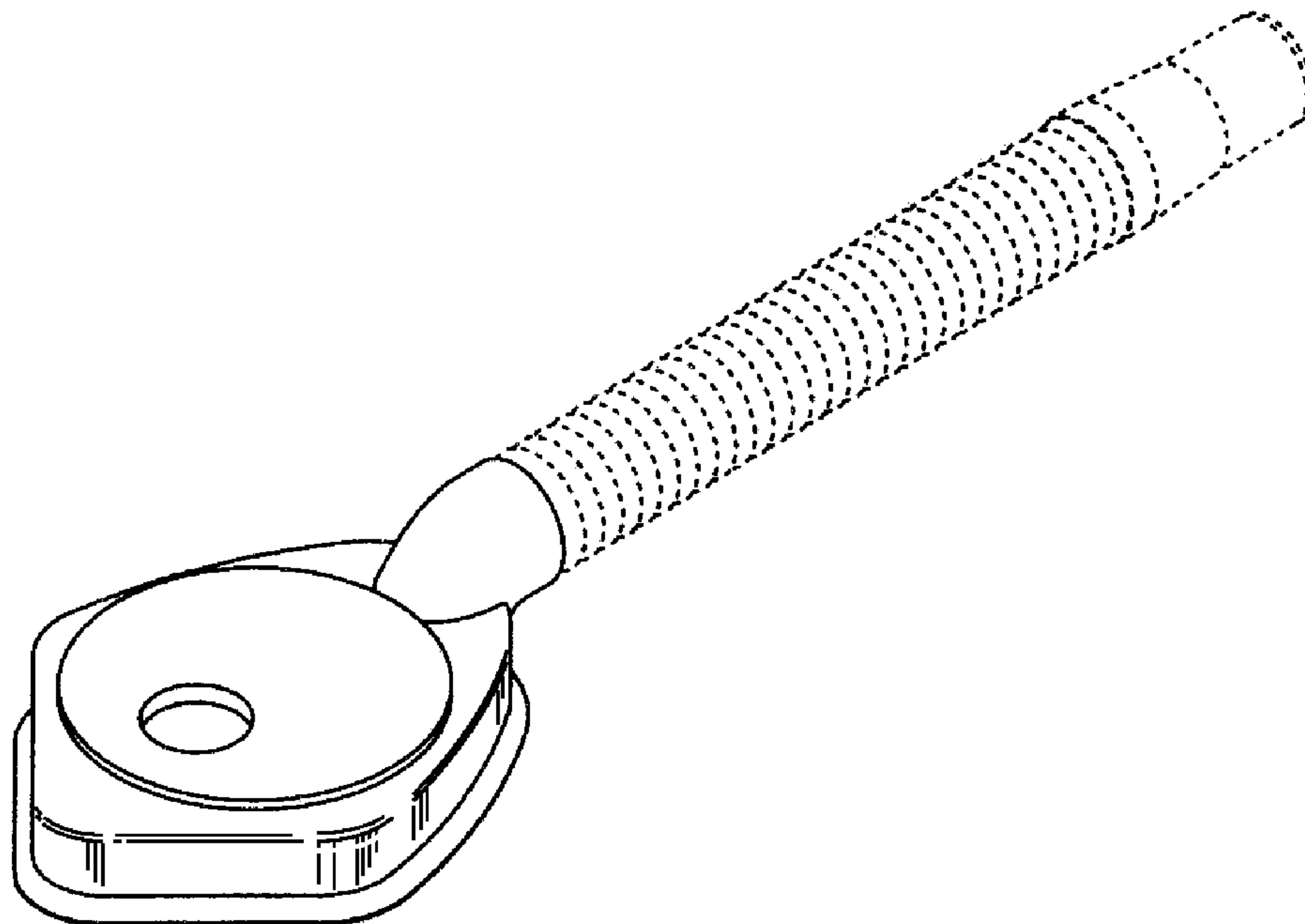


FIG. 1

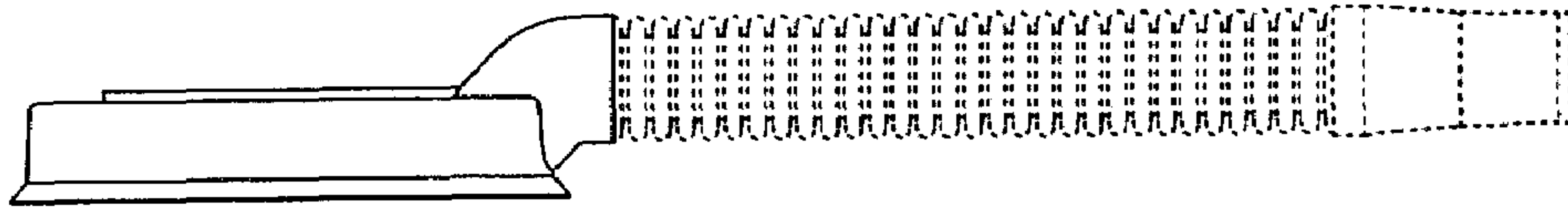


FIG. 2

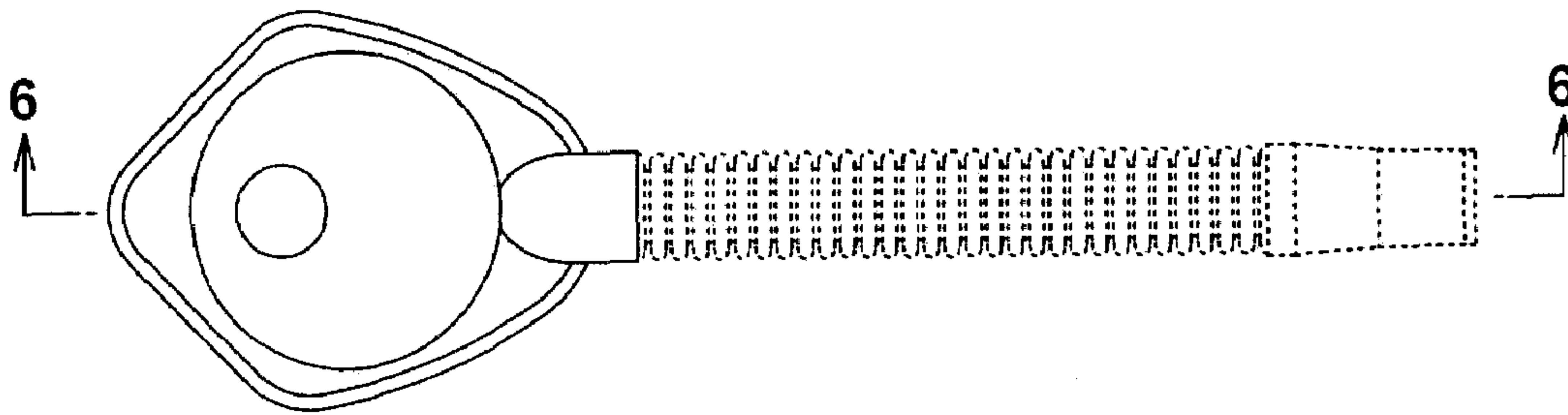


FIG. 3

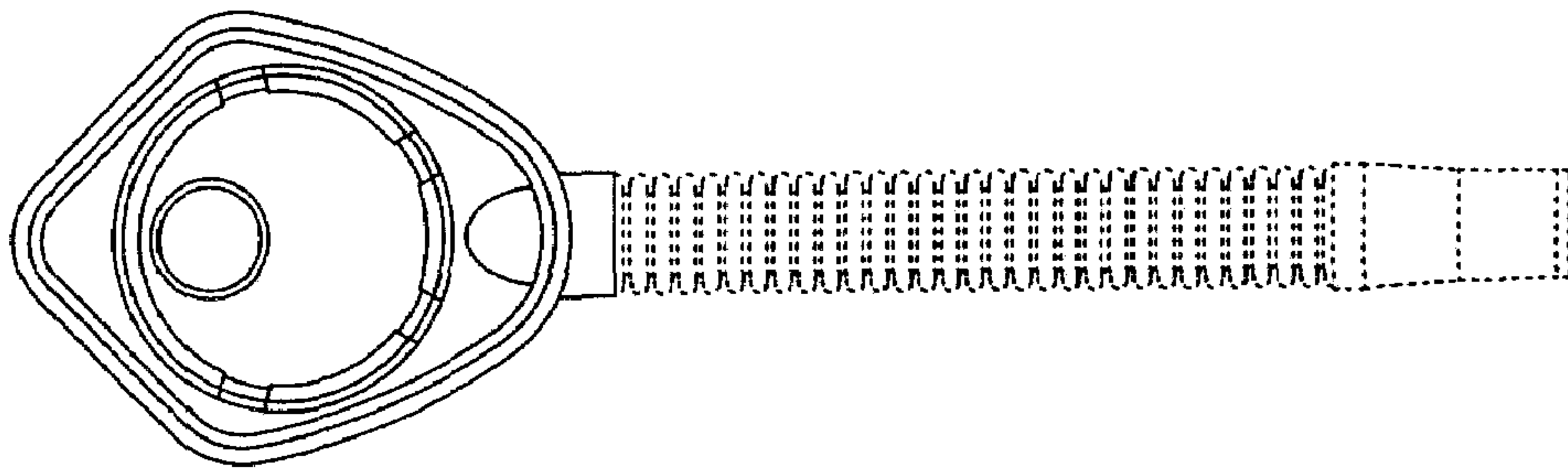


FIG. 4

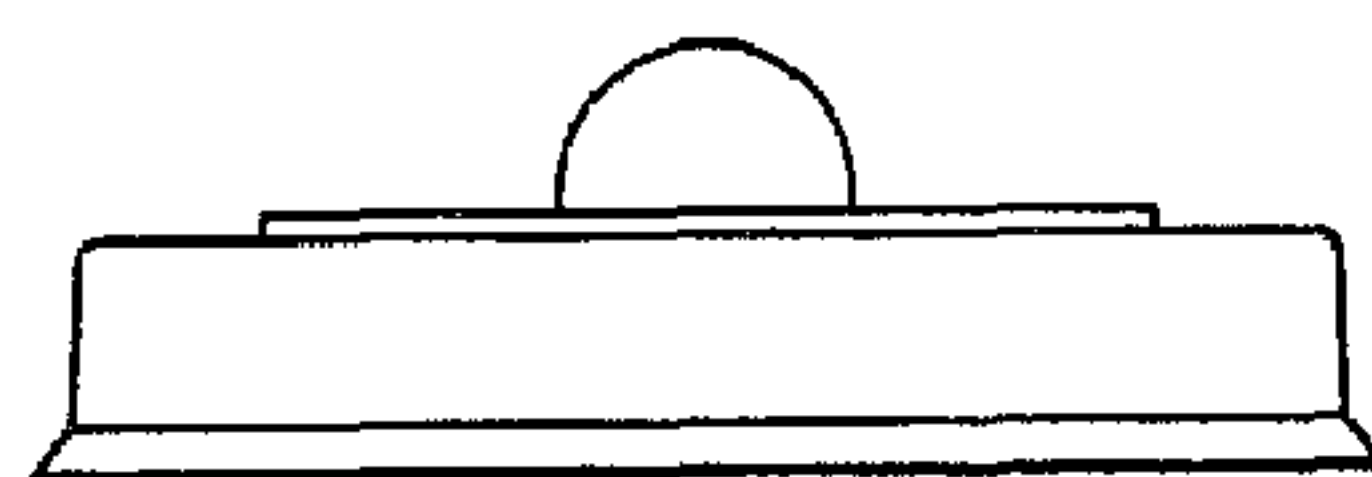


FIG. 5

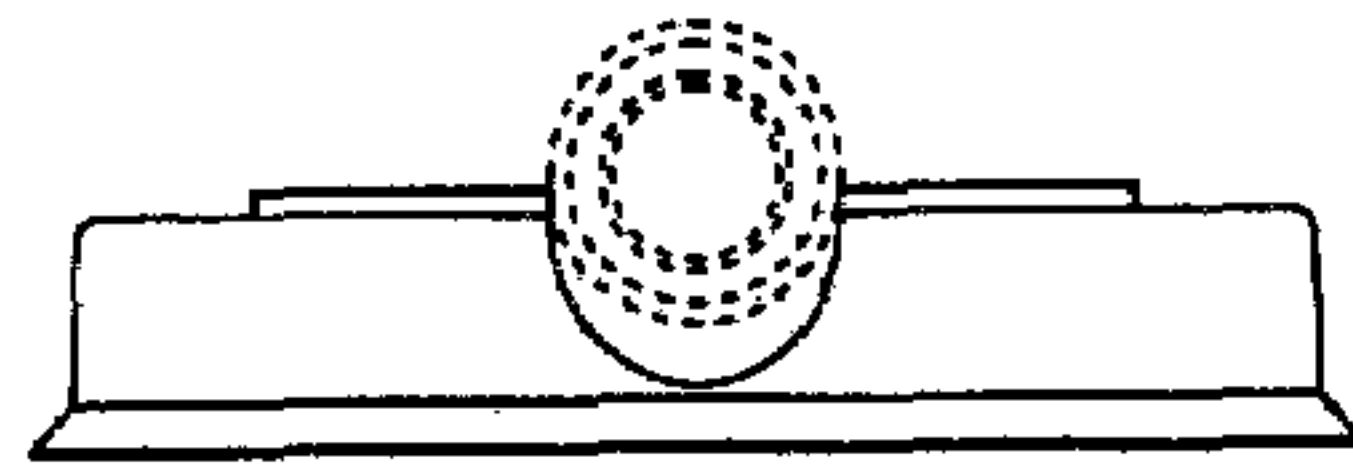


FIG. 6

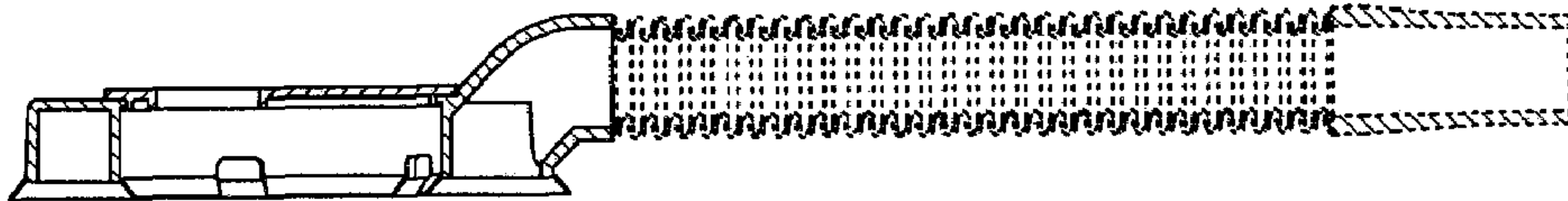
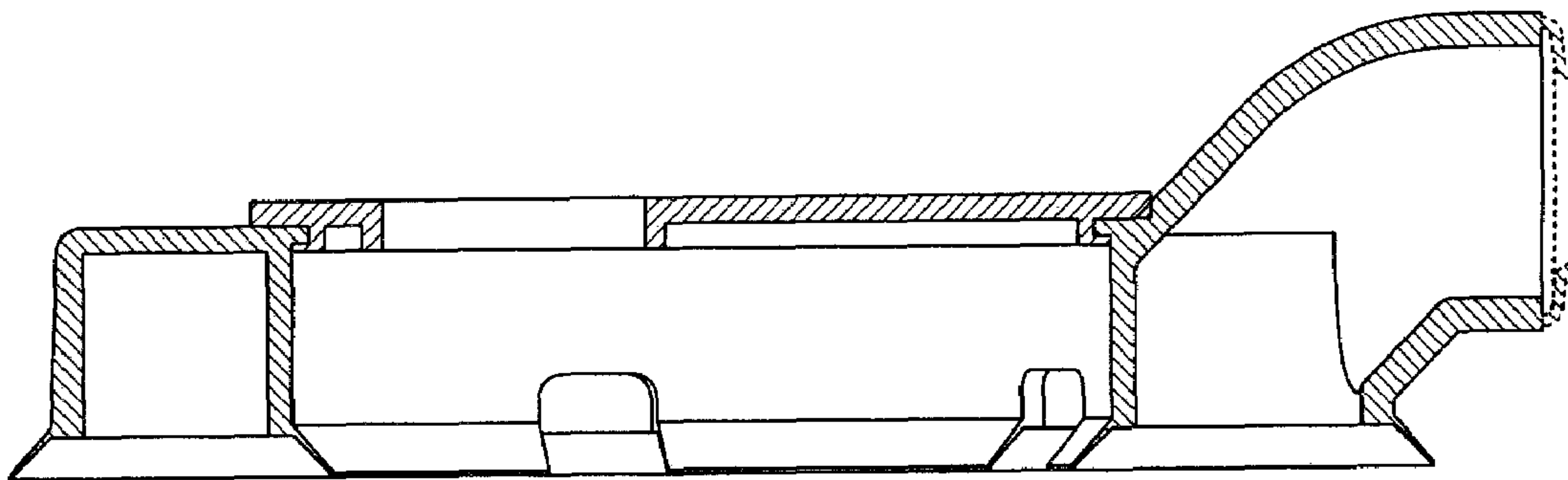
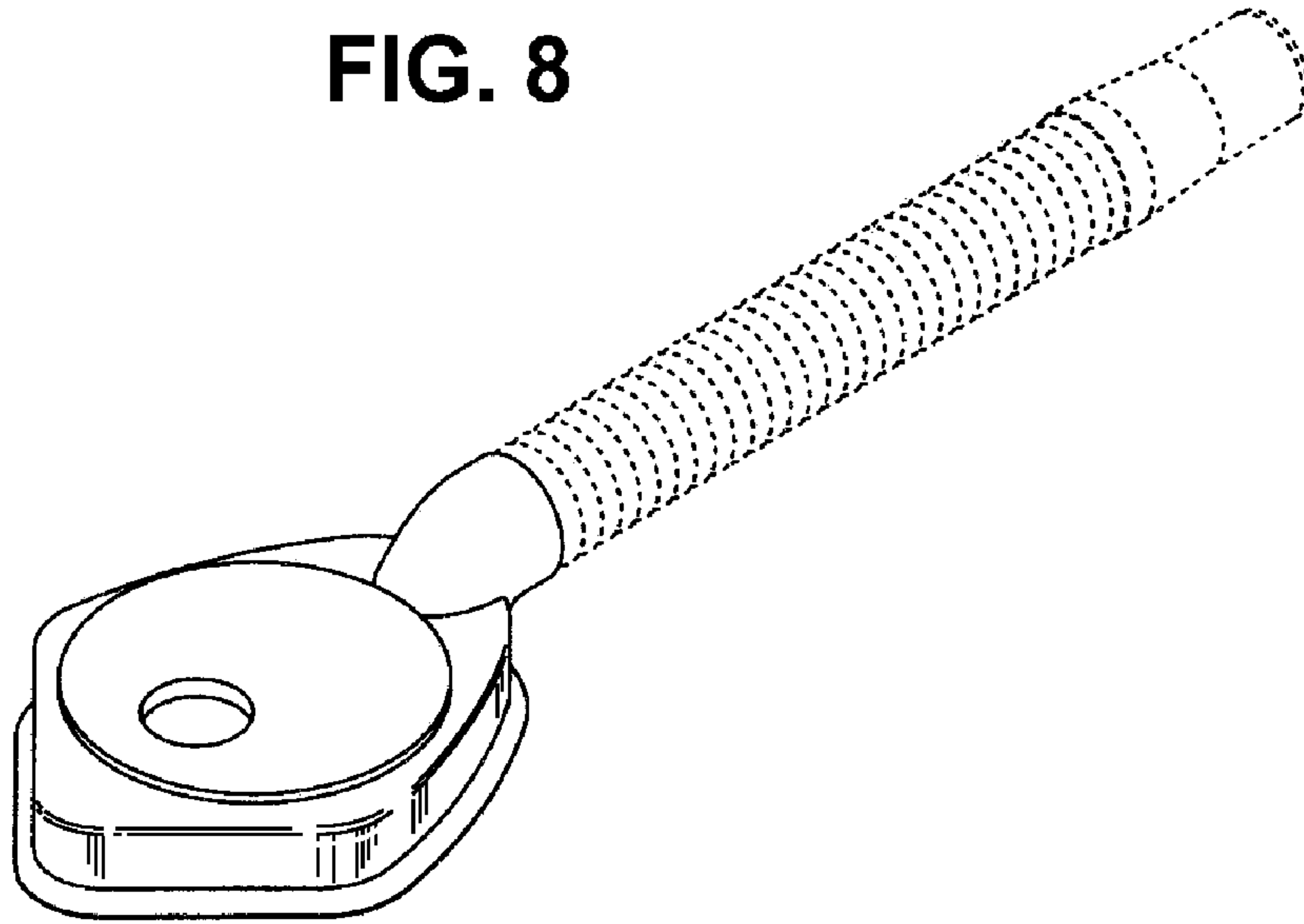


FIG. 7



**FIG. 8**



**FIG. 9**

