

US00D562513S

(12) **United States Design Patent**  
**Willison**

(10) **Patent No.:** **US D562,513 S**

(45) **Date of Patent:** **\*\* Feb. 19, 2008**

(54) **OVEN RACK CLEANING DEVICE**

(76) **Inventor:** **George R. Willison**, 6465 Polo Dr.,  
Cumming, GA (US) 30040

(\*\*) **Term:** **14 Years**

(21) **Appl. No.:** **29/288,928**

(22) **Filed:** **Jun. 27, 2007**

(51) **LOC (8) Cl.** ..... **08-99**

(52) **U.S. Cl.** ..... **D32/35**

(58) **Field of Classification Search** ..... D32/35,  
D32/58-59; D7/354, 357, 359, 601; 99/439,  
99/428, 449, 426; 15/21.1; 211/153; 249/126,  
249/134

See application file for complete search history.

(56) **References Cited**

**U.S. PATENT DOCUMENTS**

D160,009	S *	9/1950	Parker	.....	D7/601
3,808,825	A *	5/1974	Ciurea	.....	62/3.3
D274,383	S *	6/1984	Banasiak	.....	D32/45
D351,661	S *	10/1994	Fischer	.....	D24/230
6,098,229	A *	8/2000	Ward	.....	15/21.1
6,869,059	B2 *	3/2005	Sloan et al.	.....	249/126
6,973,872	B2 *	12/2005	Morgan	.....	99/439

**OTHER PUBLICATIONS**

U.S. Appl. No. 11/514,763, filed Sep. 1, 2006, George R. Willison.

Two (2) page printout from www.scepterconsumer.com copyright date 2007, one page showing contact information and one page showing drain pans specifically part #03896—DP24 8 Quart Round Parts Cleaner Drain Pan.

\* cited by examiner

*Primary Examiner*—Pamela J. Burgess

(57) **CLAIM**

The ornamental design for an oven rack cleaning device, as shown and described.

**DESCRIPTION**

FIG. 1 is a top, front, left side perspective view of an oven rack cleaning device embodying my design;

FIG. 2 is a top plan view thereof;

FIG. 3 is a bottom plan view thereof;

FIG. 4 is a front elevational view thereof;

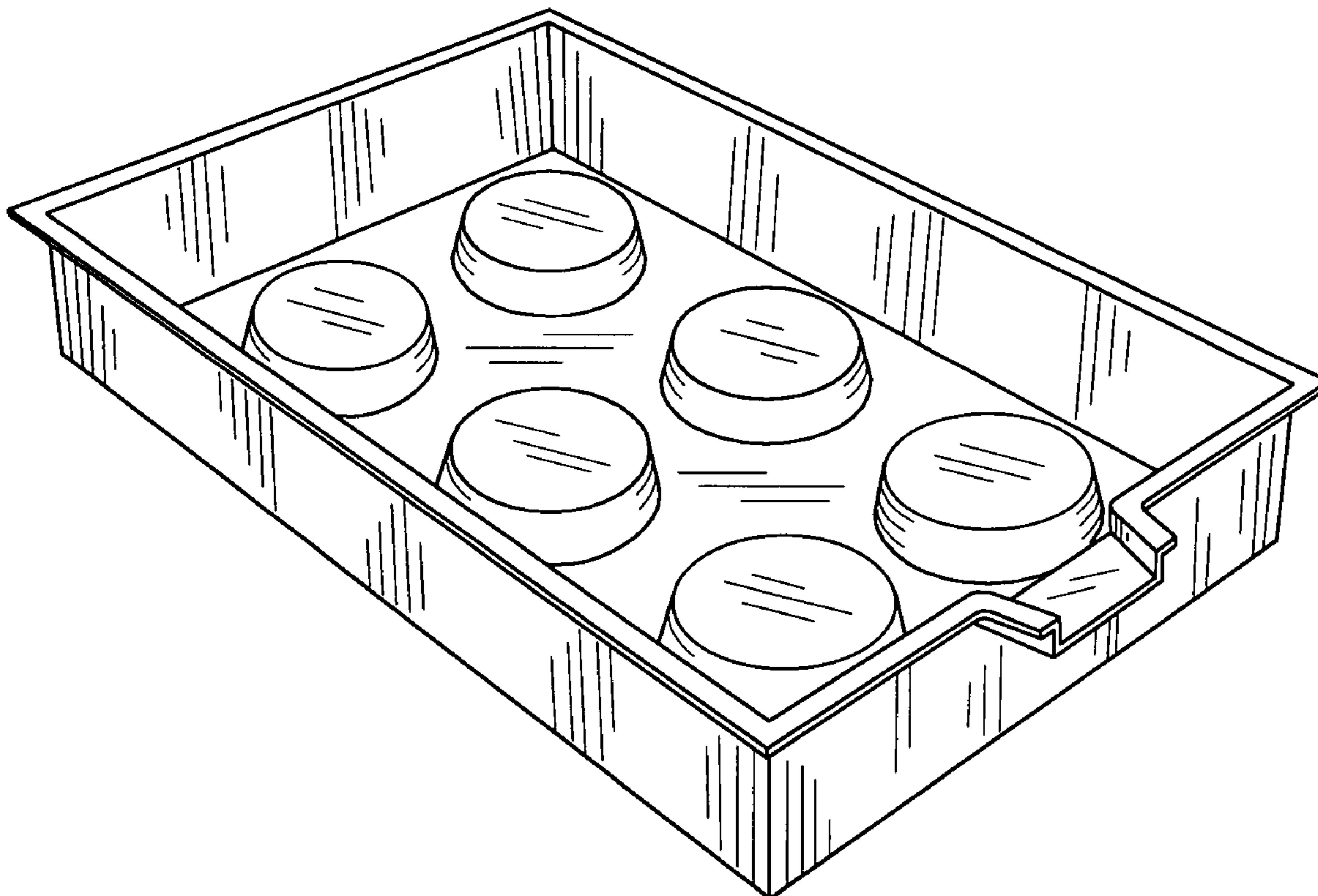
FIG. 5 is a rear elevational view thereof;

FIG. 6 is a left side elevational view thereof, the right side being a mirror image thereof;

FIG. 7 is a cross-sectional view thereof along lines 7—7 shown in FIG. 2; and,

FIG. 8 is a cross-sectional view thereof along lines 8—8 shown in FIG. 2.

**1 Claim, 3 Drawing Sheets**



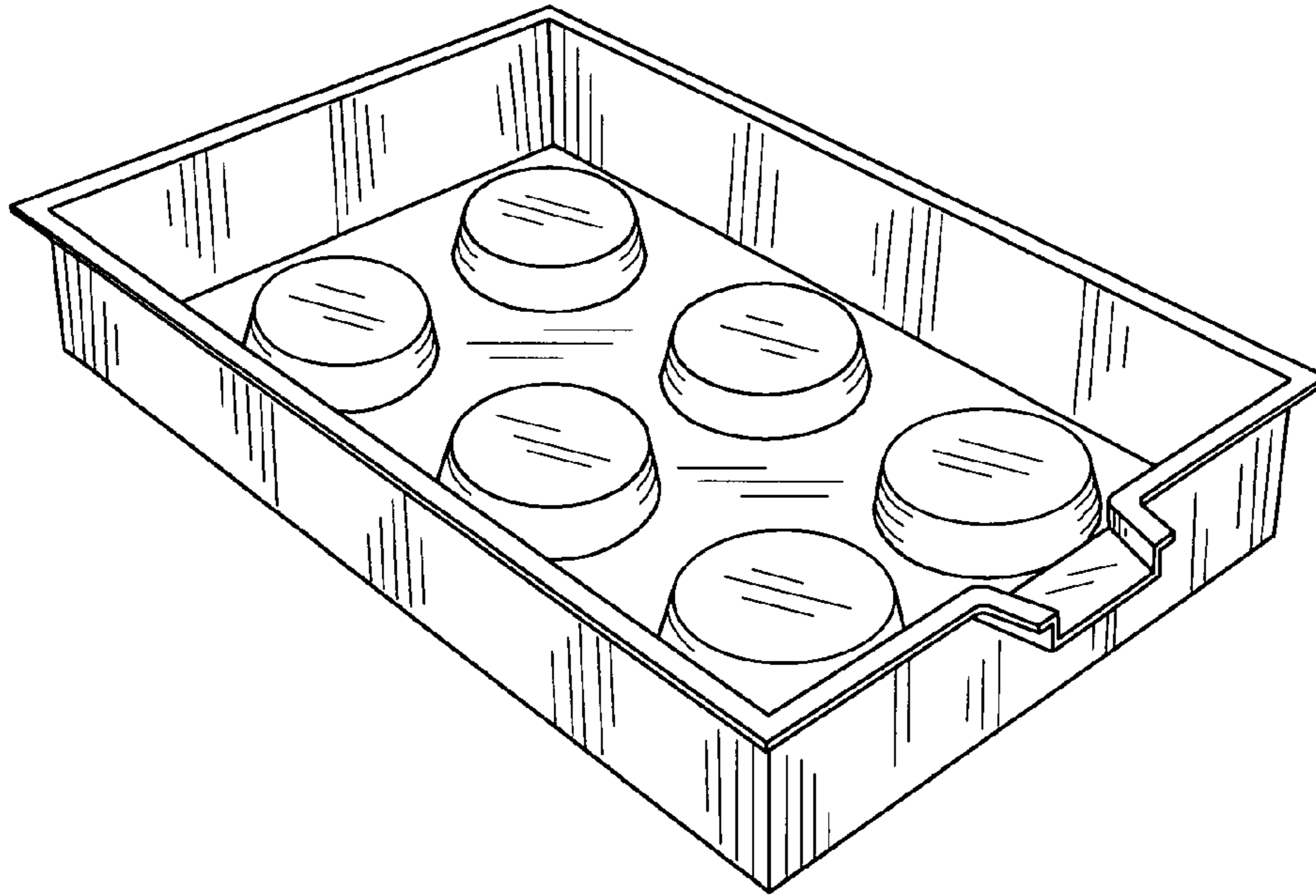


Fig. 1

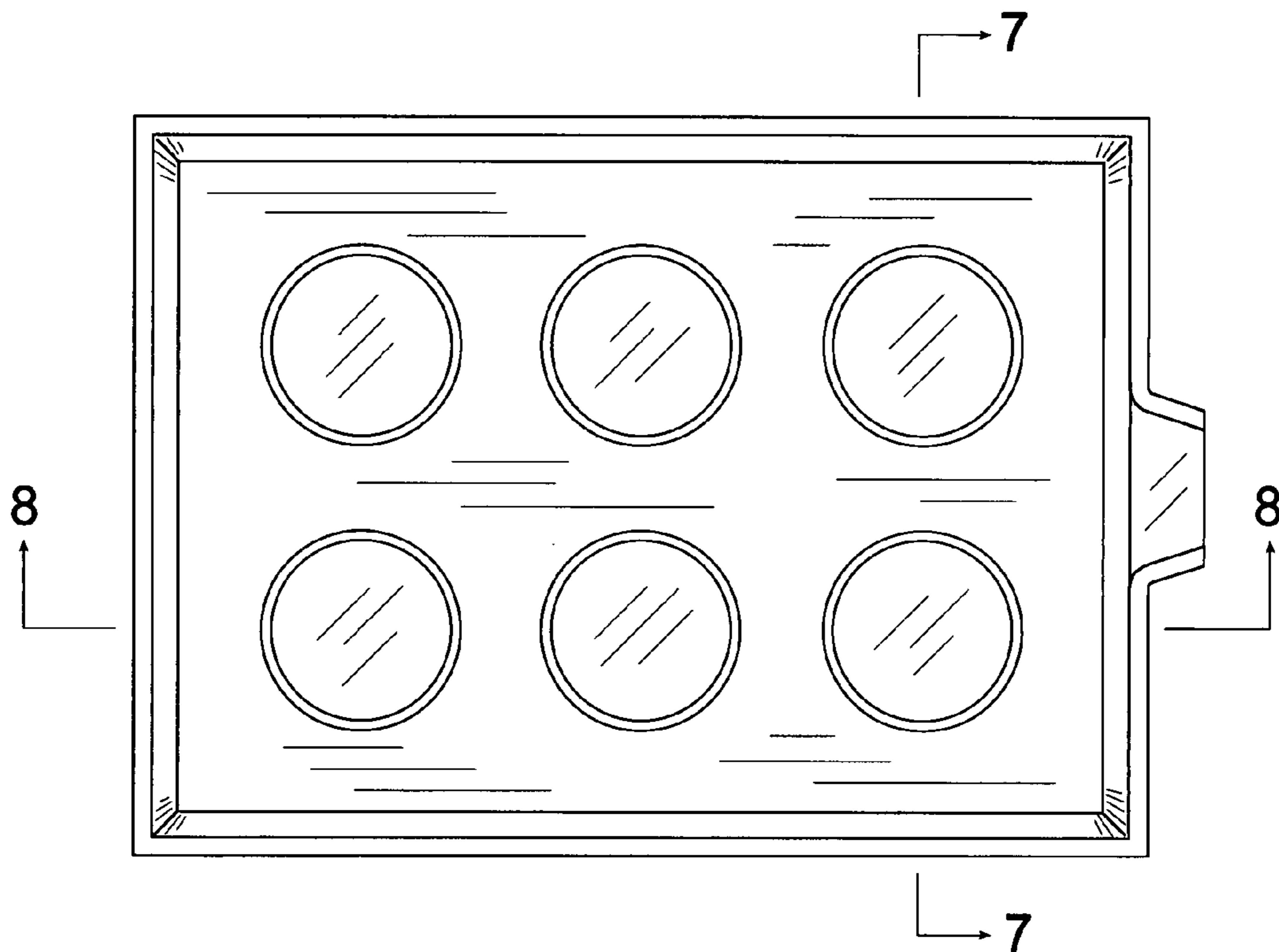


Fig. 2

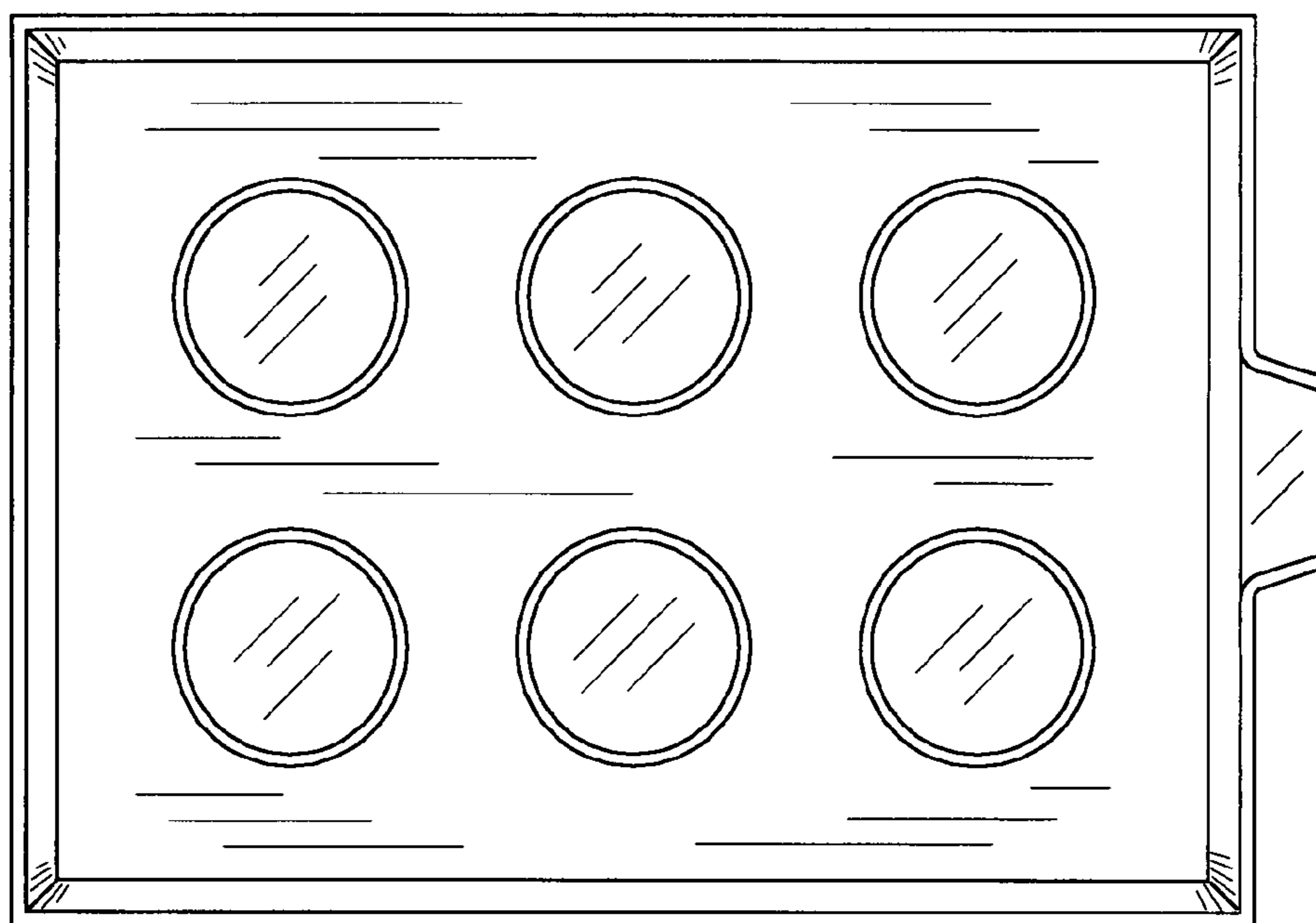


Fig. 3

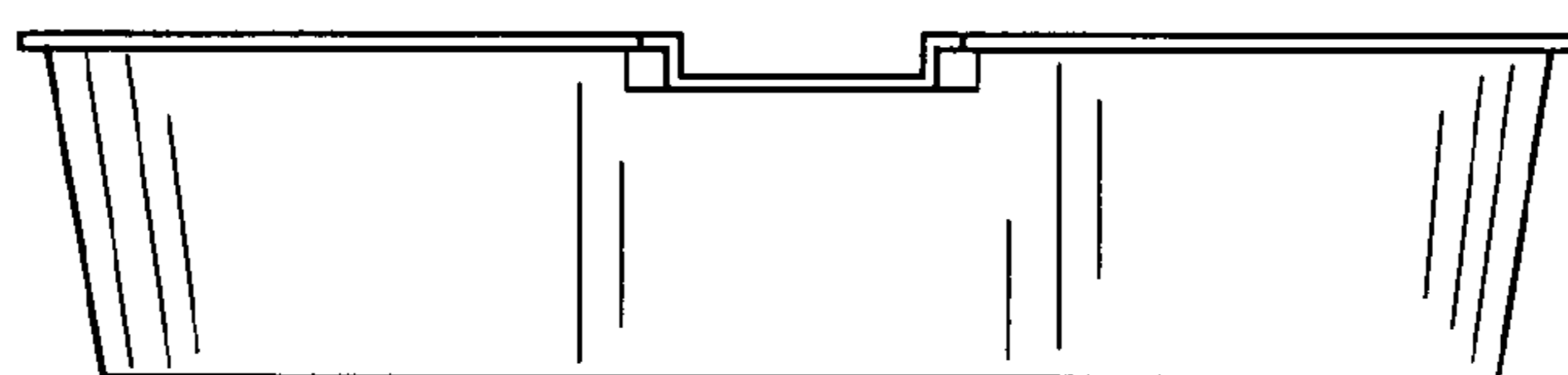


Fig. 4

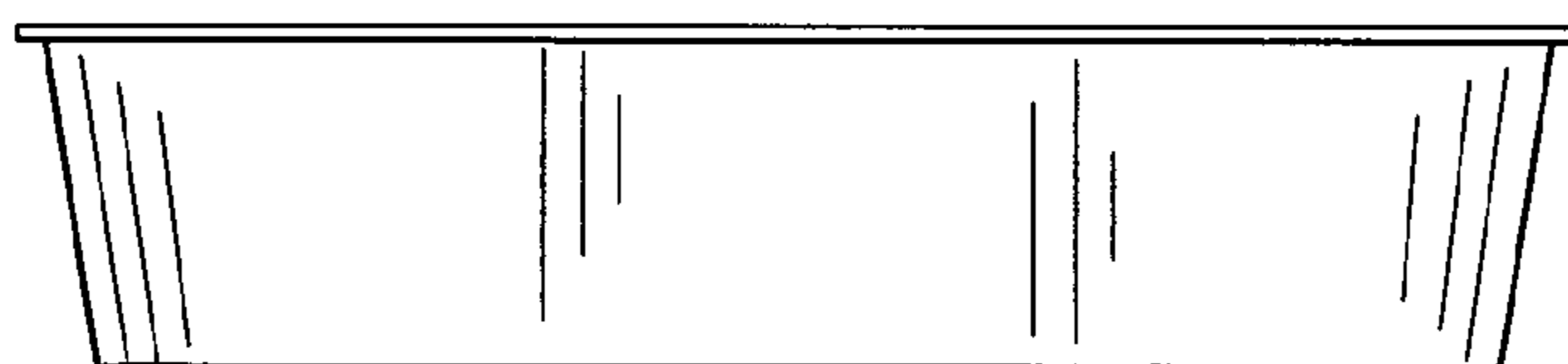


Fig. 5

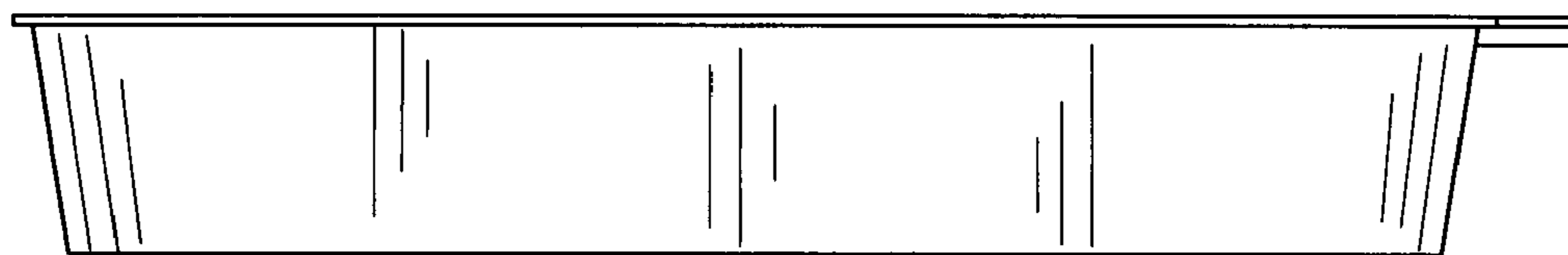


Fig. 6

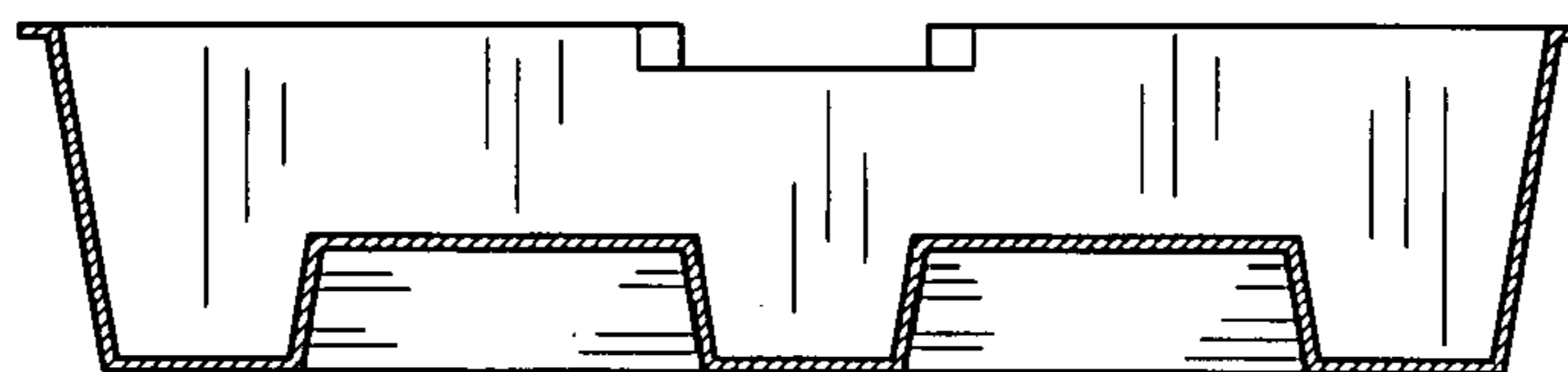


Fig. 7

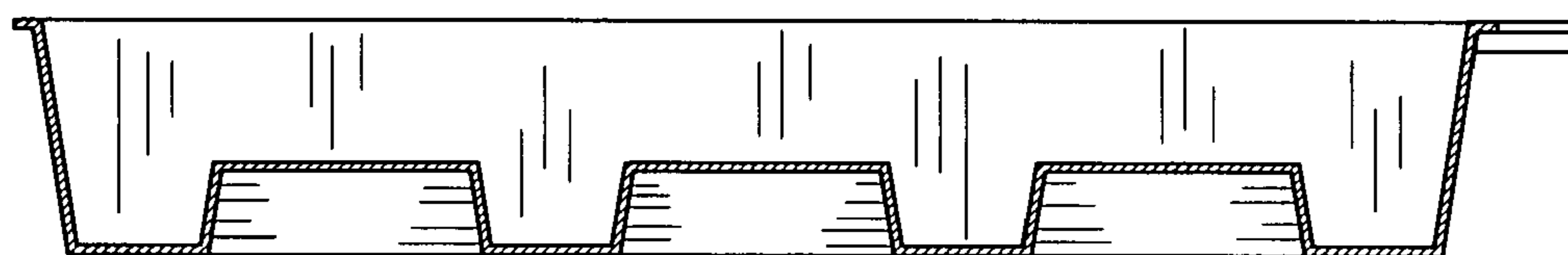


Fig. 8