

US00D562510S

(12) **United States Design Patent**
Hahn

(10) **Patent No.:** **US D562,510 S**

(45) **Date of Patent:** **** Feb. 19, 2008**

(54) **STEAM VACUUM CLEANER**

(76) Inventor: **Gyung Hee Hahn**, #401, Miwon 2cha
Apartment, 433-9 Mangwon 2-dong,
Mapo-gu, Seoul (KR) 121-823

(**) Term: **14 Years**

(21) Appl. No.: **29/268,733**

(22) Filed: **Nov. 13, 2006**

(30) **Foreign Application Priority Data**

May 10, 2006 (KR) 30-2006-0017344

(51) **LOC (8) Cl.** **15-05**

(52) **U.S. Cl.** **D32/22**

(58) **Field of Classification Search** D32/17-18,
D32/21-22, 31; 68/222, 5 A, 5 C, 6, 50;
15/320-322, 339, 344, 401, 353; 392/403-406,
392/379; 38/14, 69; 34/622; 223/51, 70;
219/211; 239/538

See application file for complete search history.

(56) **References Cited**

U.S. PATENT DOCUMENTS

D399,615 S * 10/1998 Hajjar et al. D32/22

D433,546 S * 11/2000 Milanese D32/22

6,289,551 B1 * 9/2001 Basile 15/320
D468,498 S * 1/2003 Santiago et al. D32/31
D486,279 S * 2/2004 Chen D32/17
D521,699 S * 5/2006 Greene et al. D32/22
2004/0144140 A1 * 7/2004 Lee 68/222

* cited by examiner

Primary Examiner—Ruth McInroy

(74) *Attorney, Agent, or Firm*—Rothwell, Figg, Ernst &
Manbeck, PC

(57) **CLAIM**

I claim the ornamental design for a steam vacuum cleaner,
as shown and described.

DESCRIPTION

FIG. 1 is a perspective view of a steam vacuum cleaner
showing my new design;

FIG. 2 is a front view thereof;

FIG. 3 is a rear view thereof;

FIG. 4 is a left side view thereof;

FIG. 5 is a right side view thereof;

FIG. 6 is a top view thereof; and,

FIG. 7 is a bottom view thereof.

1 Claim, 6 Drawing Sheets

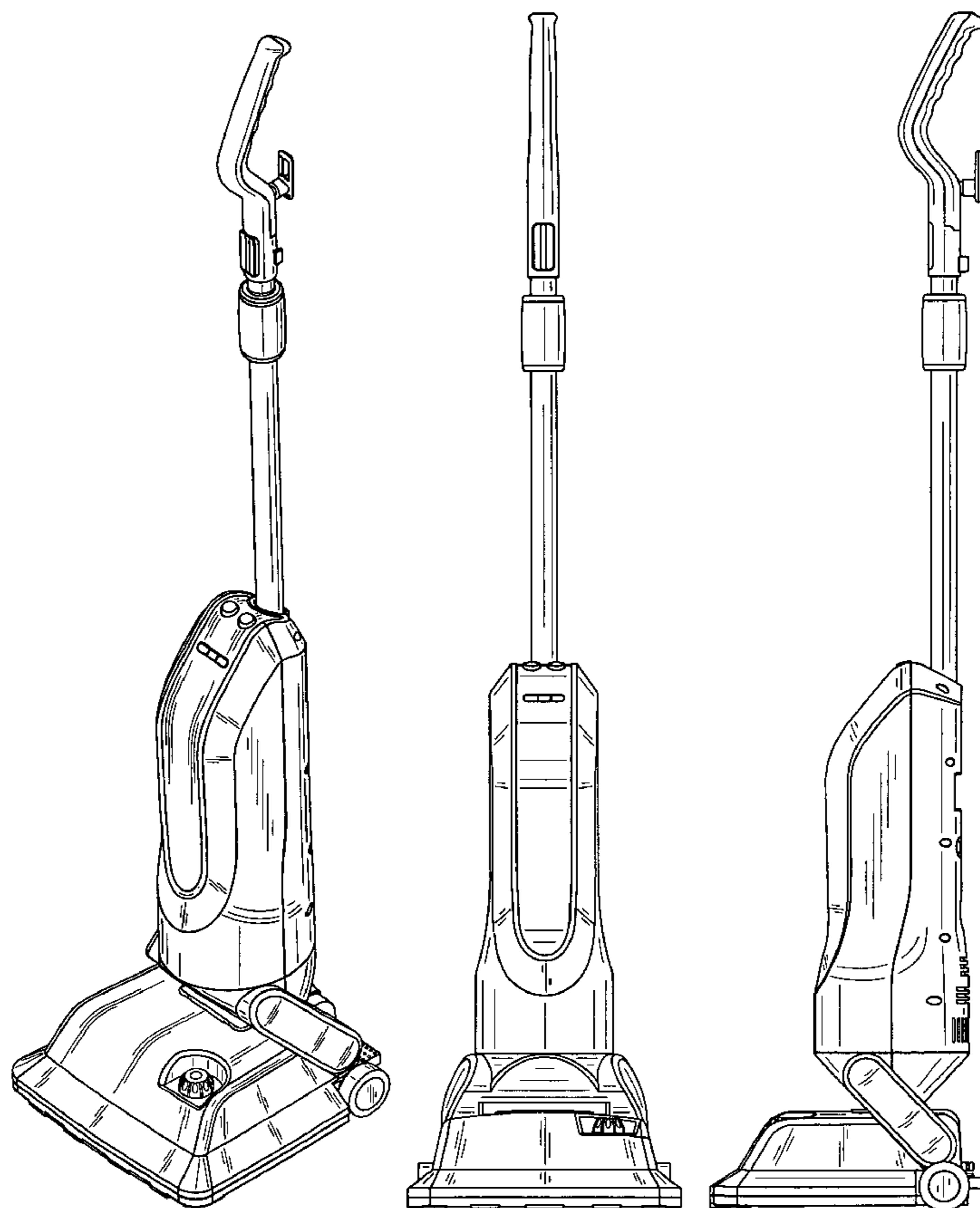


FIG. 1

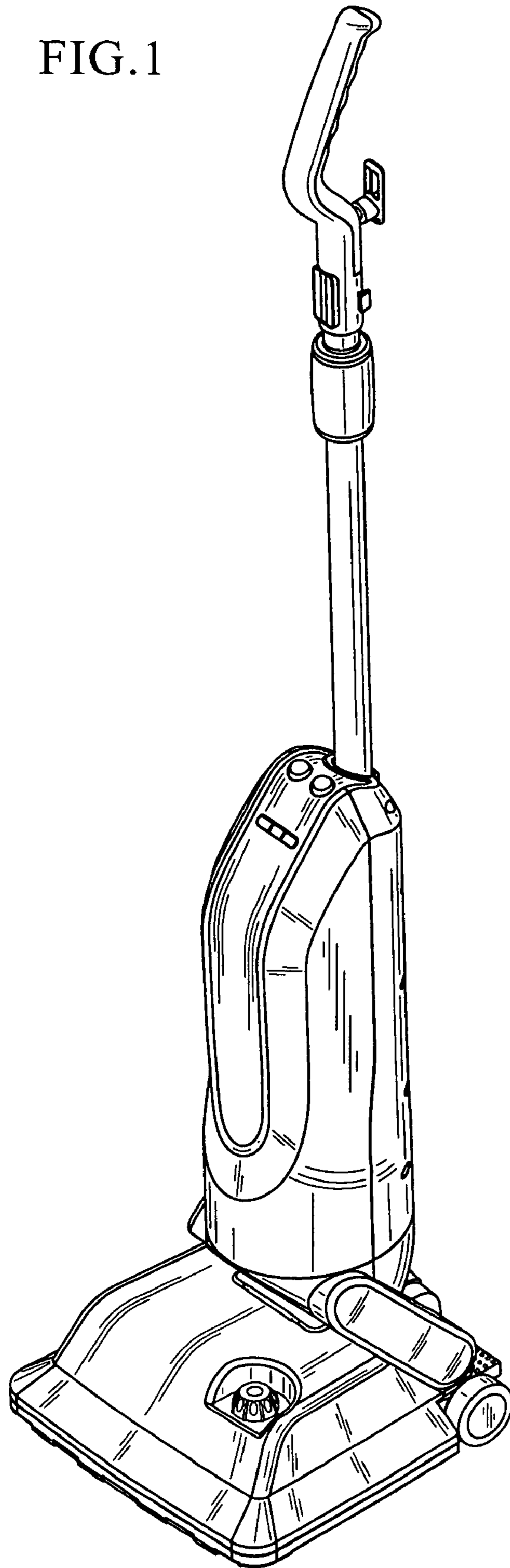


FIG.2

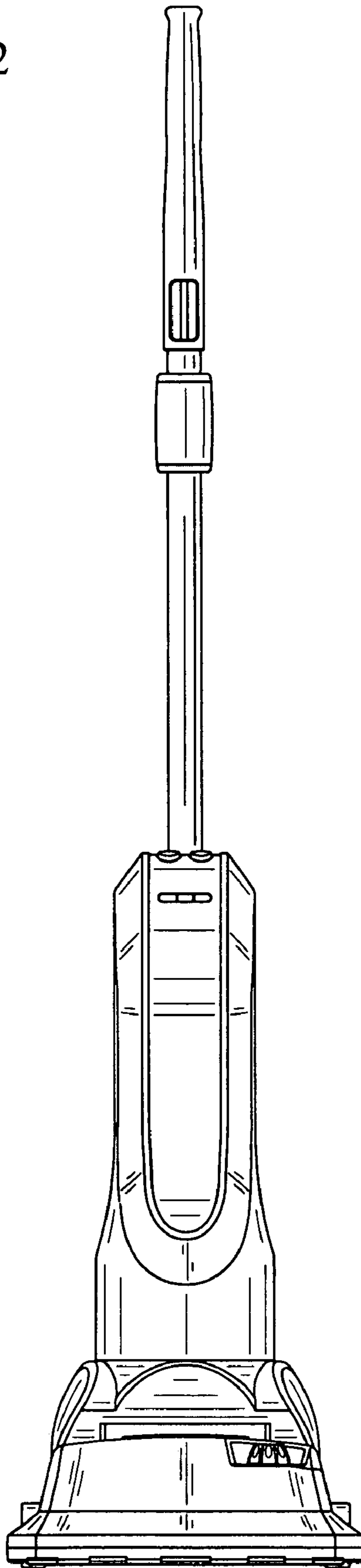


FIG.3

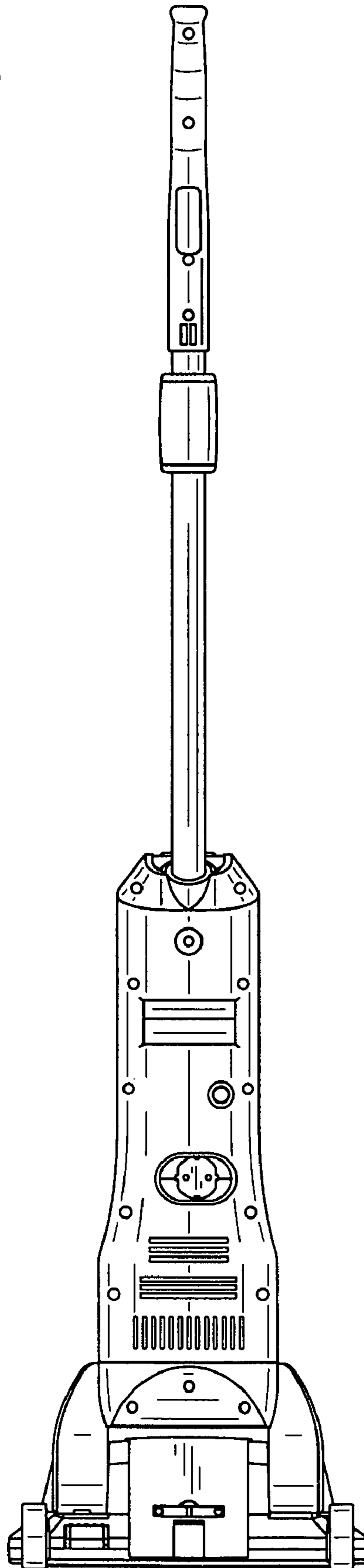


FIG.4

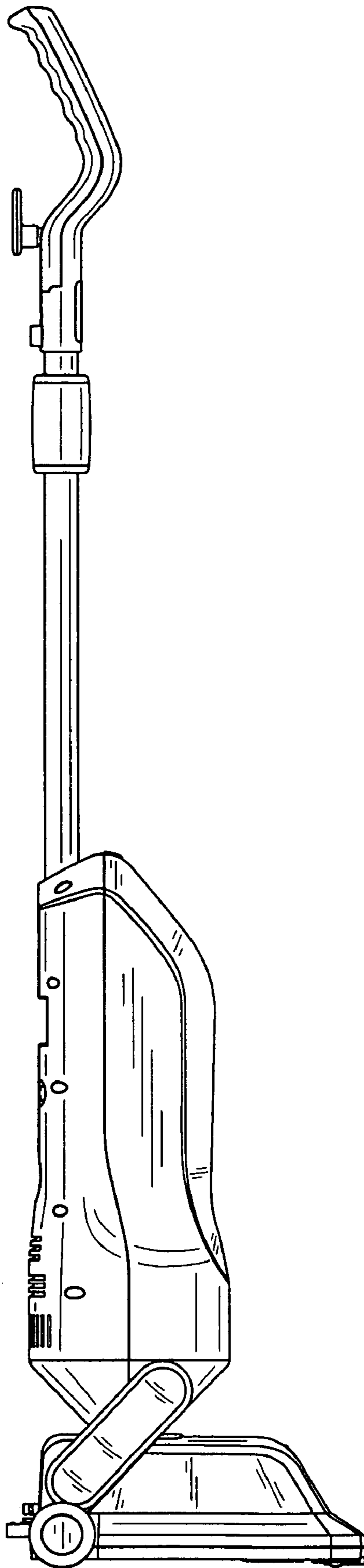


FIG. 5

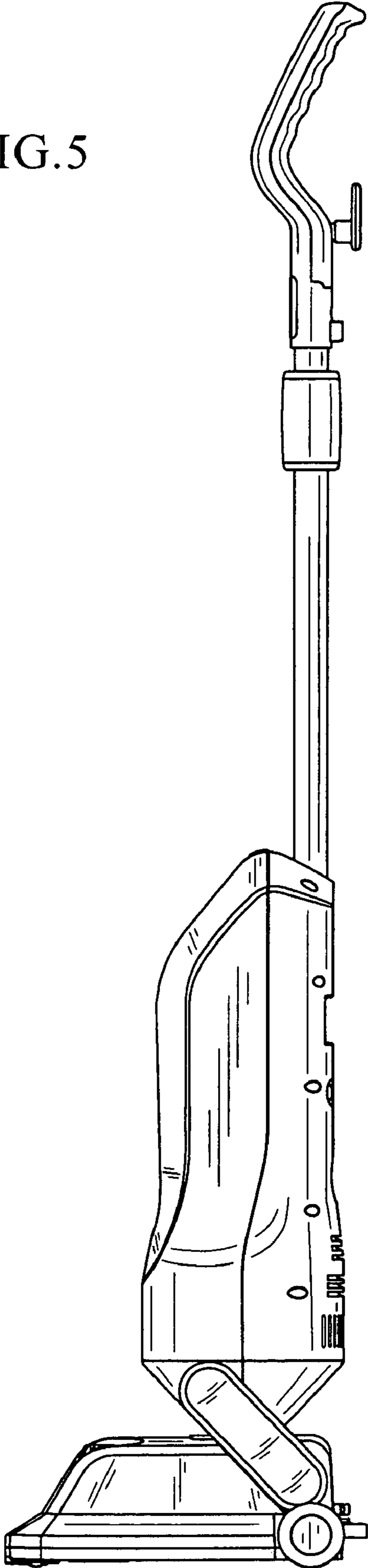


FIG.6

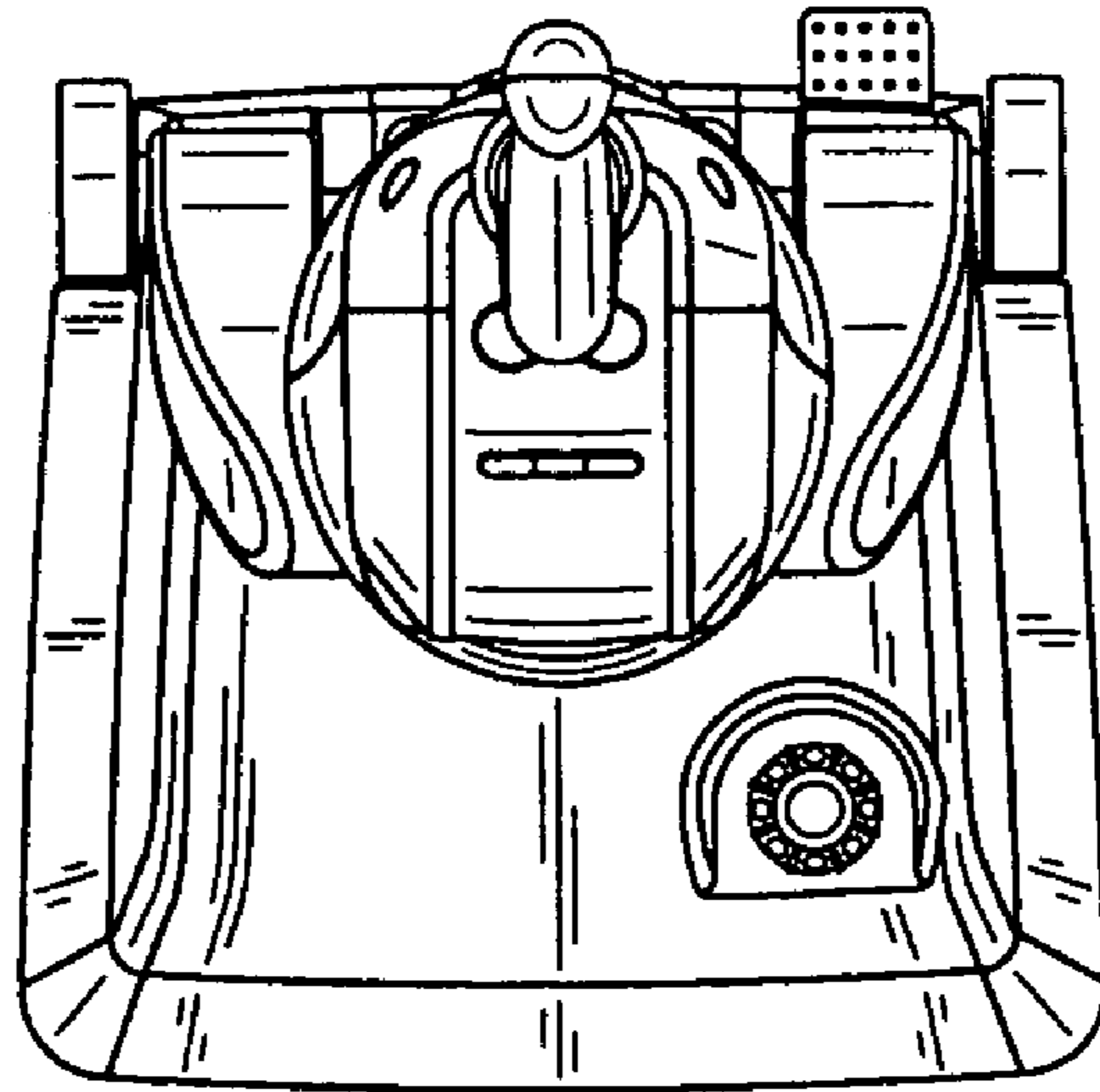


FIG.7

