

US00D562509S

(12) **United States Design Patent**  
**Lee**

(10) **Patent No.:** **US D562,509 S**

(45) **Date of Patent:** **\*\* Feb. 19, 2008**

(54) **COMBINATION STEAM AND VACUUM CLEANER**

6,571,421 B1 \* 6/2003 Sham et al. .... 15/320  
D486,279 S \* 2/2004 Chen ..... D32/17  
D532,943 S \* 11/2006 Haranaka ..... D32/22

(75) Inventor: **Chung-gu Lee**, Seoul (KR)

\* cited by examiner

(73) Assignee: **Unix Electronics, Co., Ltd.** (KR)

*Primary Examiner*—Ruth McInroy

(\*\*) Term: **14 Years**

(74) *Attorney, Agent, or Firm*—David R. Yohannan, Esq.;  
Kelley Drye & Warren LLP

(21) Appl. No.: **29/257,688**

(57) **CLAIM**

(22) Filed: **Apr. 10, 2006**

The ornamental design for a combination steam and vacuum cleaner, as shown and described.

(51) **LOC (8) Cl.** ..... **15-05**

(52) **U.S. Cl.** ..... **D32/22**

(58) **Field of Classification Search** ..... D32/17–18,  
D32/21–22, 31; 68/222, 5 A, 5 C, 6, 50;  
15/320–322, 339, 344, 401, 353; 392/403–406,  
392/379; 38/14, 69; 34/622; 223/51, 70;  
219/211; 239/538

See application file for complete search history.

**DESCRIPTION**

FIG. 1 is a perspective view of a combination steam and vacuum cleaner embodying our new design;

FIG. 2 is a front view thereof;

FIG. 3 is a rear view thereof;

FIG. 4 is a left side view thereof;

FIG. 5 is a right side view thereof;

FIG. 6 is a top plan view thereof; and,

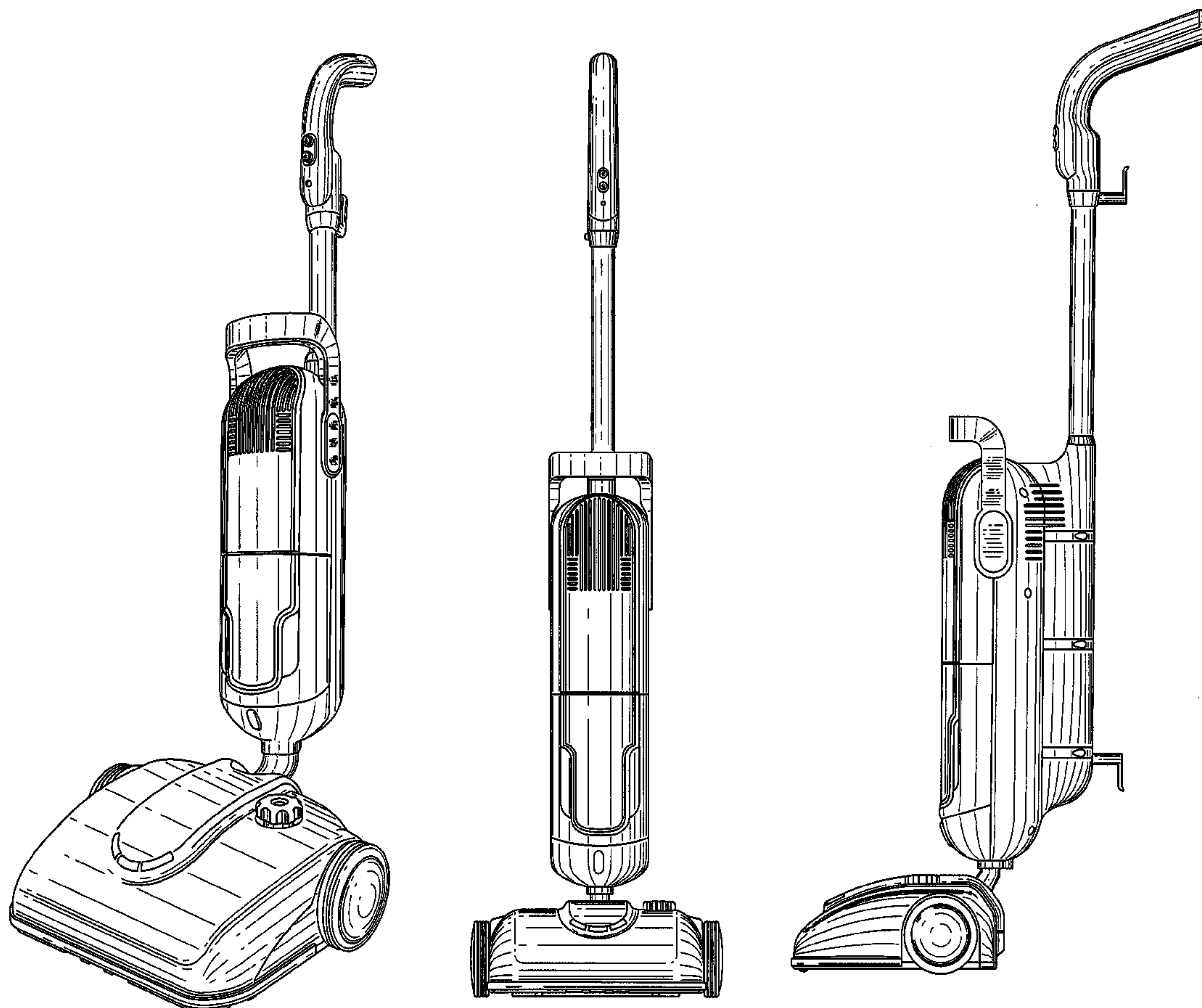
FIG. 7 is a bottom plan view thereof.

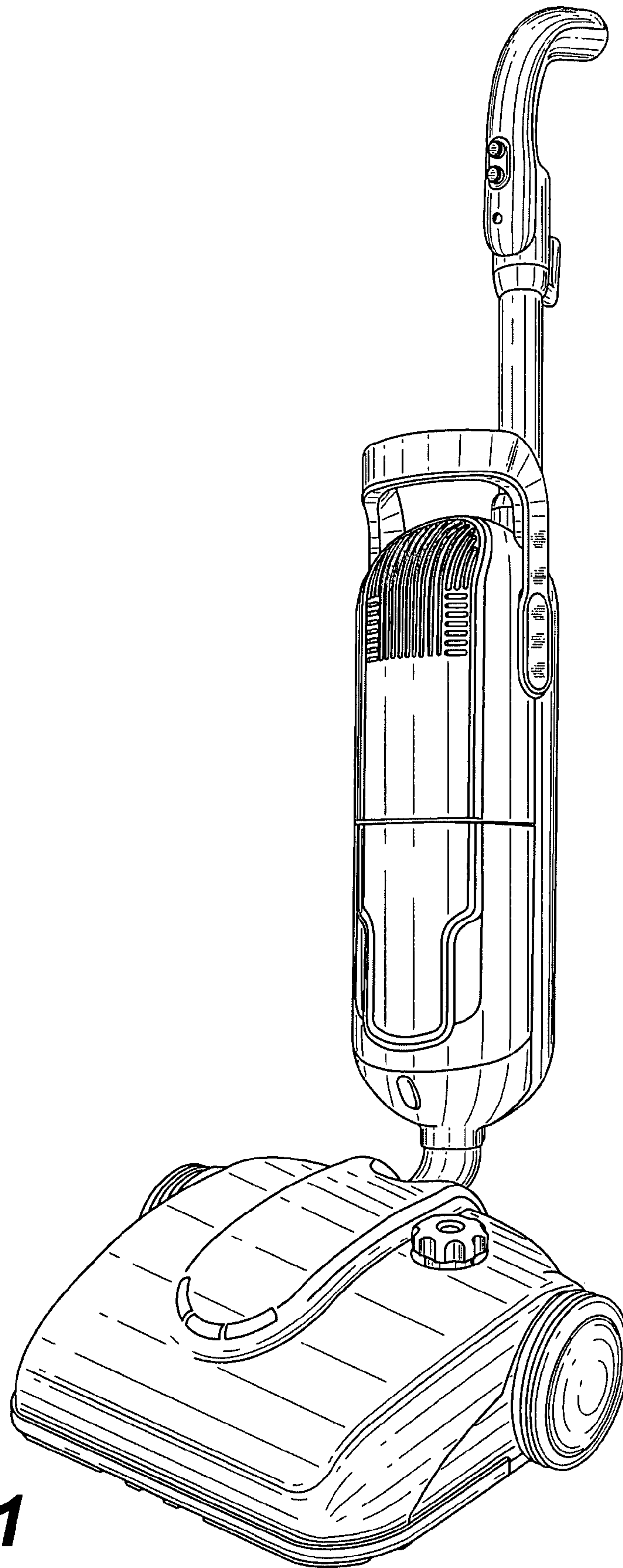
(56) **References Cited**

**U.S. PATENT DOCUMENTS**

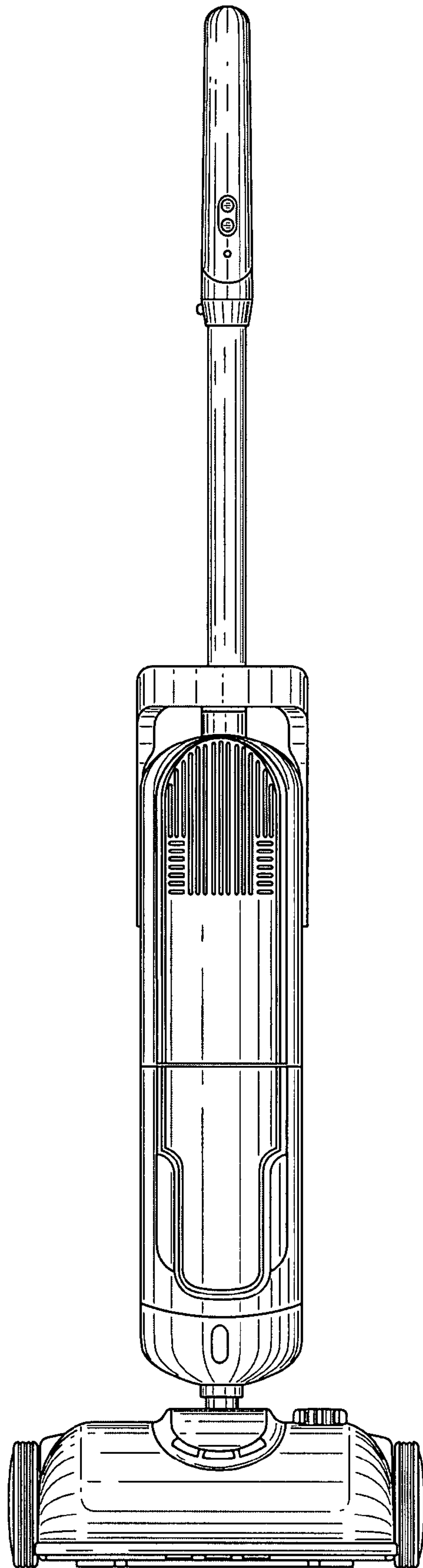
D399,615 S \* 10/1998 Hajjar et al. .... D32/22  
D433,546 S \* 11/2000 Milanese ..... D32/22  
D468,498 S \* 1/2003 Santiago et al. .... D32/31

**1 Claim, 7 Drawing Sheets**

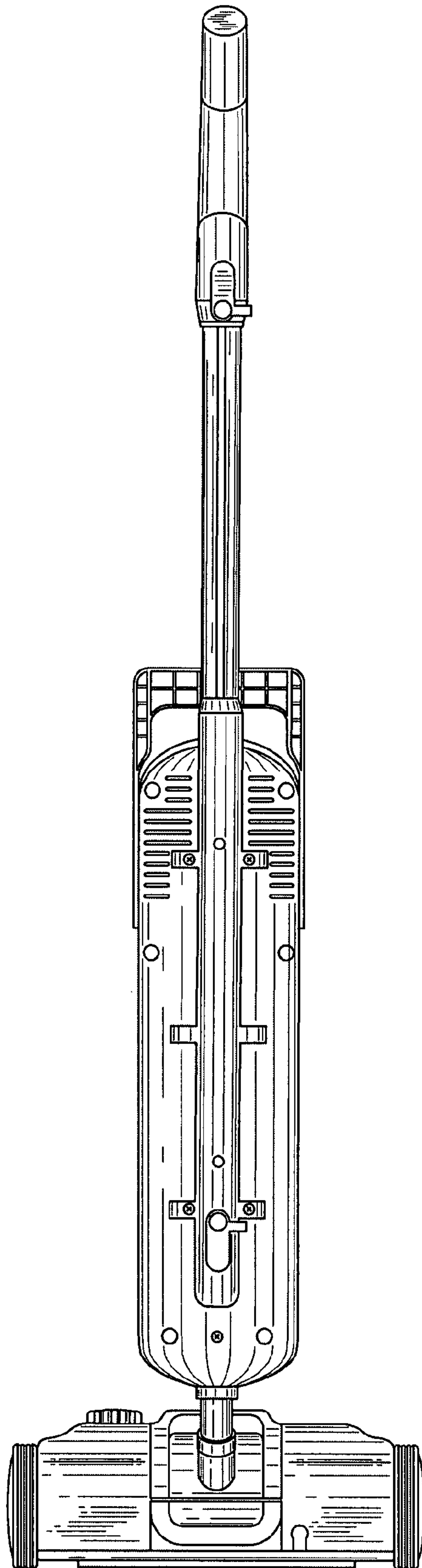




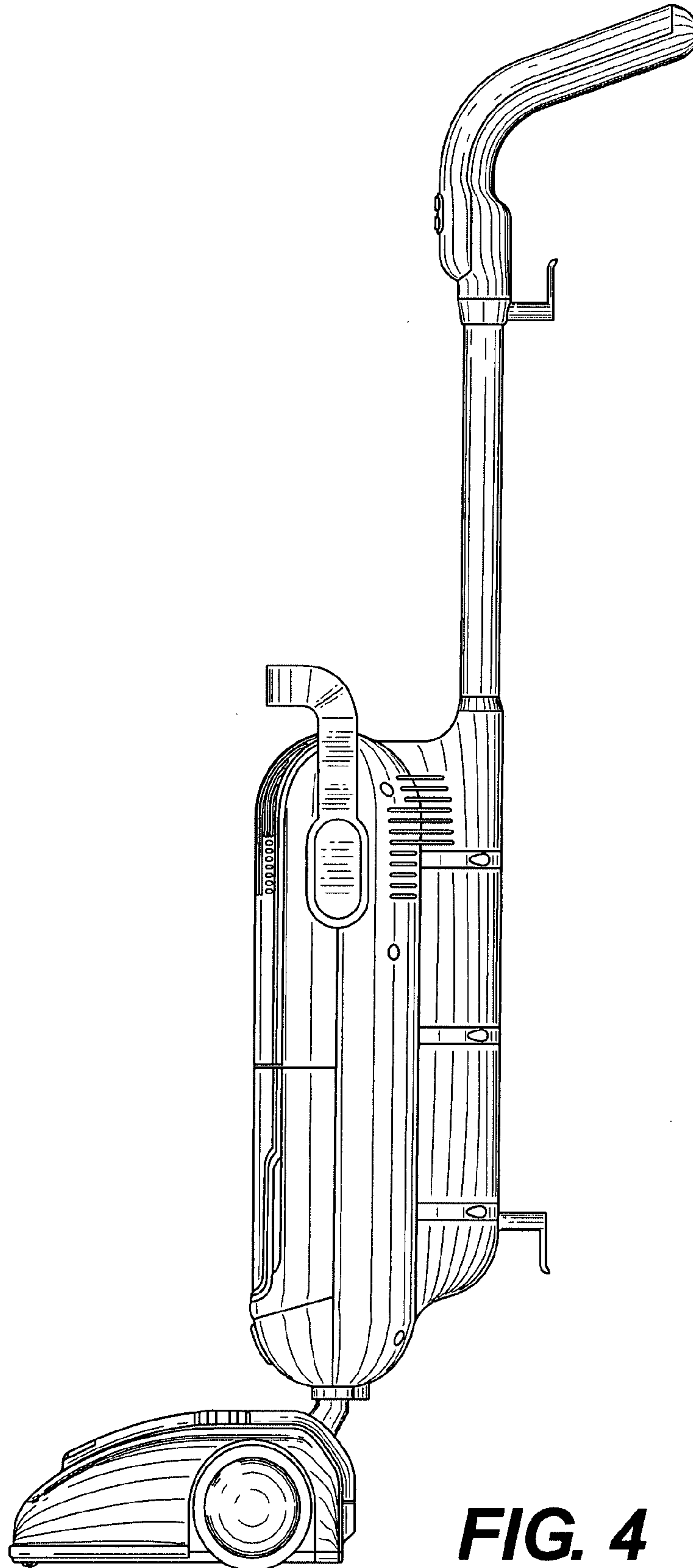
**FIG. 1**



**FIG. 2**

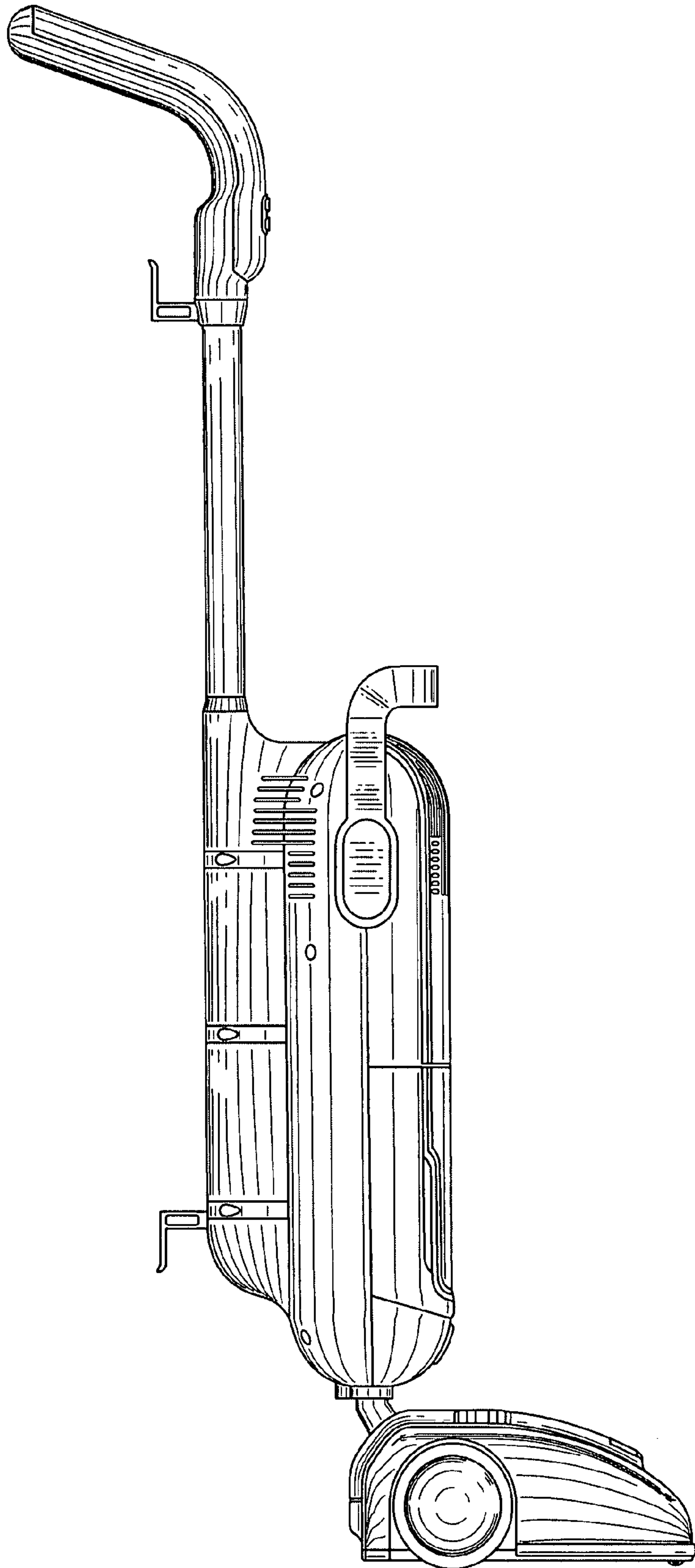


**FIG. 3**

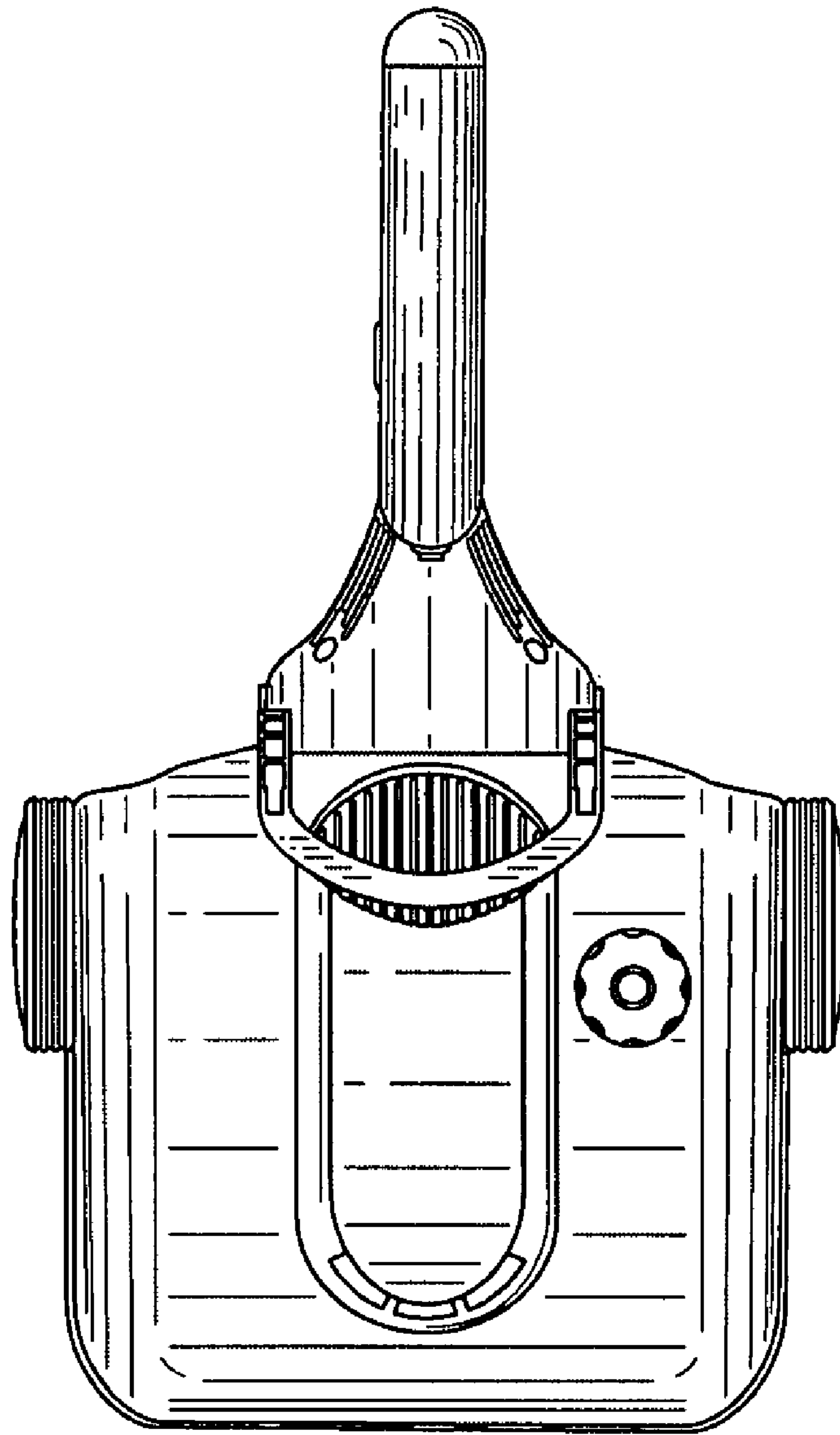


**FIG. 4**

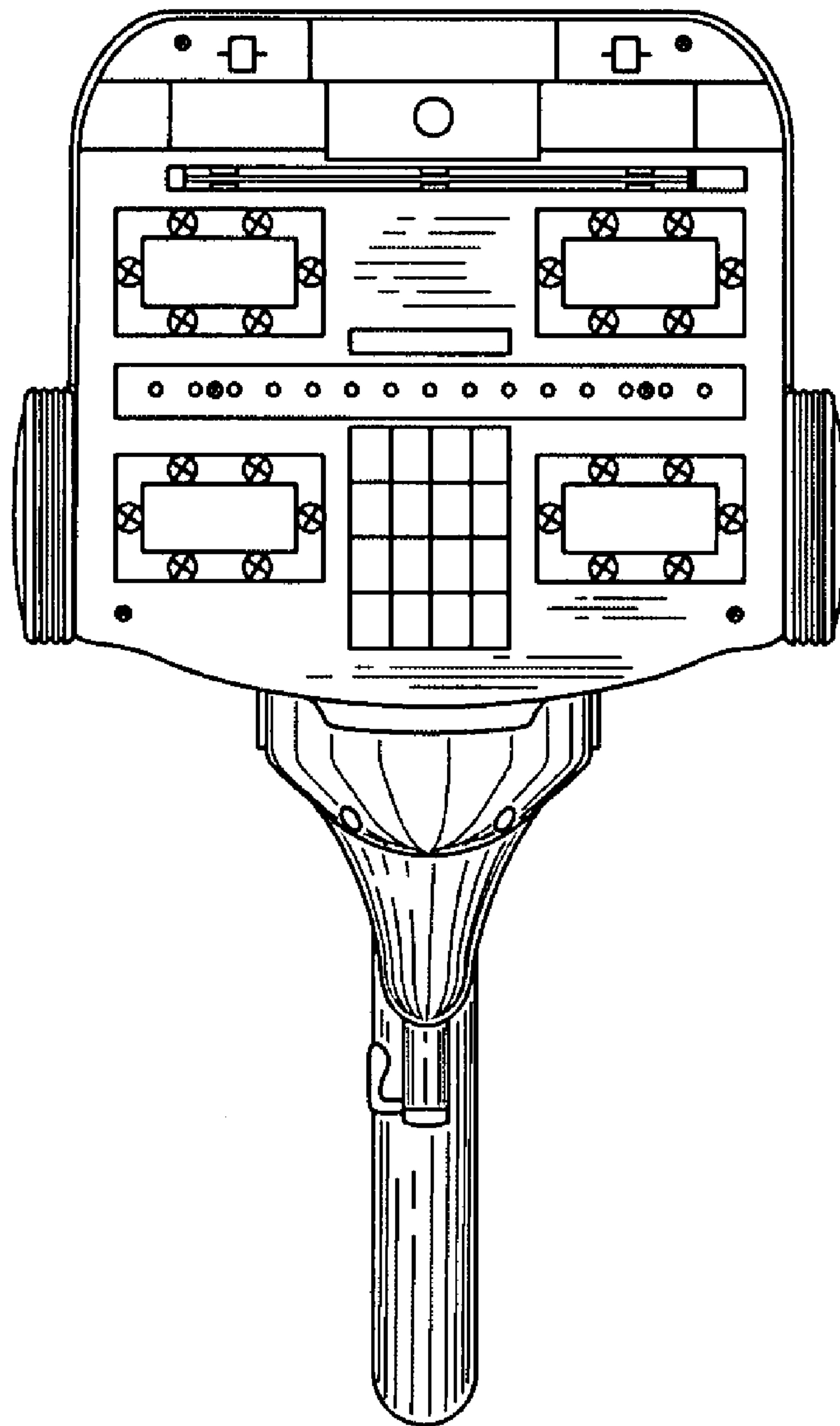




**FIG. 5**



**FIG. 6**



**FIG. 7**