

US00D562504S

(12) **United States Design Patent**  
**Parks**

(10) **Patent No.:** **US D562,504 S**

(45) **Date of Patent:** **\*\* Feb. 19, 2008**

(54) **FEED STICK HOLDER FOR BIRDS AND OTHER SMALL ANIMALS**

(75) Inventor: **Linda Parks**, Napa, CA (US)

(73) Assignee: **Lixit Corporation**, Napa, CA (US)

(\*\*) Term: **14 Years**

(21) Appl. No.: **29/266,763**

(22) Filed: **Sep. 26, 2006**

(51) **LOC (8) Cl.** ..... **30-03**

(52) **U.S. Cl.** ..... **D30/133; D30/121**

(58) **Field of Classification Search** ..... D30/121,  
D30/127, 124, 133, 199, 119; 119/51.03,  
119/464, 72.5, 77, 57.8, 55, 710, 52.3, 54,  
119/56.1, 53, 52.1, 58, 51.01, 76, 72; 242/598.5;  
224/414.926; D12/411; D7/620; D6/553,  
D6/450; D8/395, 396; 248/311.2, 313, 316.5,  
248/108, 302, 311.3

See application file for complete search history.

(56) **References Cited**

**U.S. PATENT DOCUMENTS**

2,174,725	A *	10/1939	Hutaff, Jr.	119/464
D268,056	S *	2/1983	Campbell-Kelly et al.	D30/121
4,513,935	A *	4/1985	Aguirre	248/105
D291,168	S *	8/1987	Cranford	D7/620
D307,669	S *	5/1990	Inouye	D7/620
5,040,756	A *	8/1991	Via Cava	248/103
D352,268	S *	11/1994	Kavanaugh	D12/411
5,467,736	A *	11/1995	Reynolds	119/52.2

D367,210	S *	2/1996	McKenny	D7/620
D369,482	S *	5/1996	McArdle	D6/450
D370,750	S *	6/1996	Huff	D30/133
D376,072	S *	12/1996	Joergensen	D7/620
5,810,228	A *	9/1998	Brokering	224/414
5,996,957	A *	12/1999	Kurtz	248/311.2
6,260,811	B1 *	7/2001	O'Neil	248/311.2
D476,451	S *	6/2003	Morgan, Sr.	D30/121

\* cited by examiner

*Primary Examiner*—Melanie H. Tung

*Assistant Examiner*—Susan Moon Lee

(74) *Attorney, Agent, or Firm*—Harris Zimmerman

(57) **CLAIM**

The ornamental design for a feed stick holder for birds and other small animals, as shown and described.

**DESCRIPTION**

FIG. 1 is a perspective view of a feed stick holder for birds and other small animals showing my new design. The dot-dash lines represent a feed stick, which is not part of the present invention.

FIG. 2 is a left side view of the holder, the right side view being a mirror image thereof.

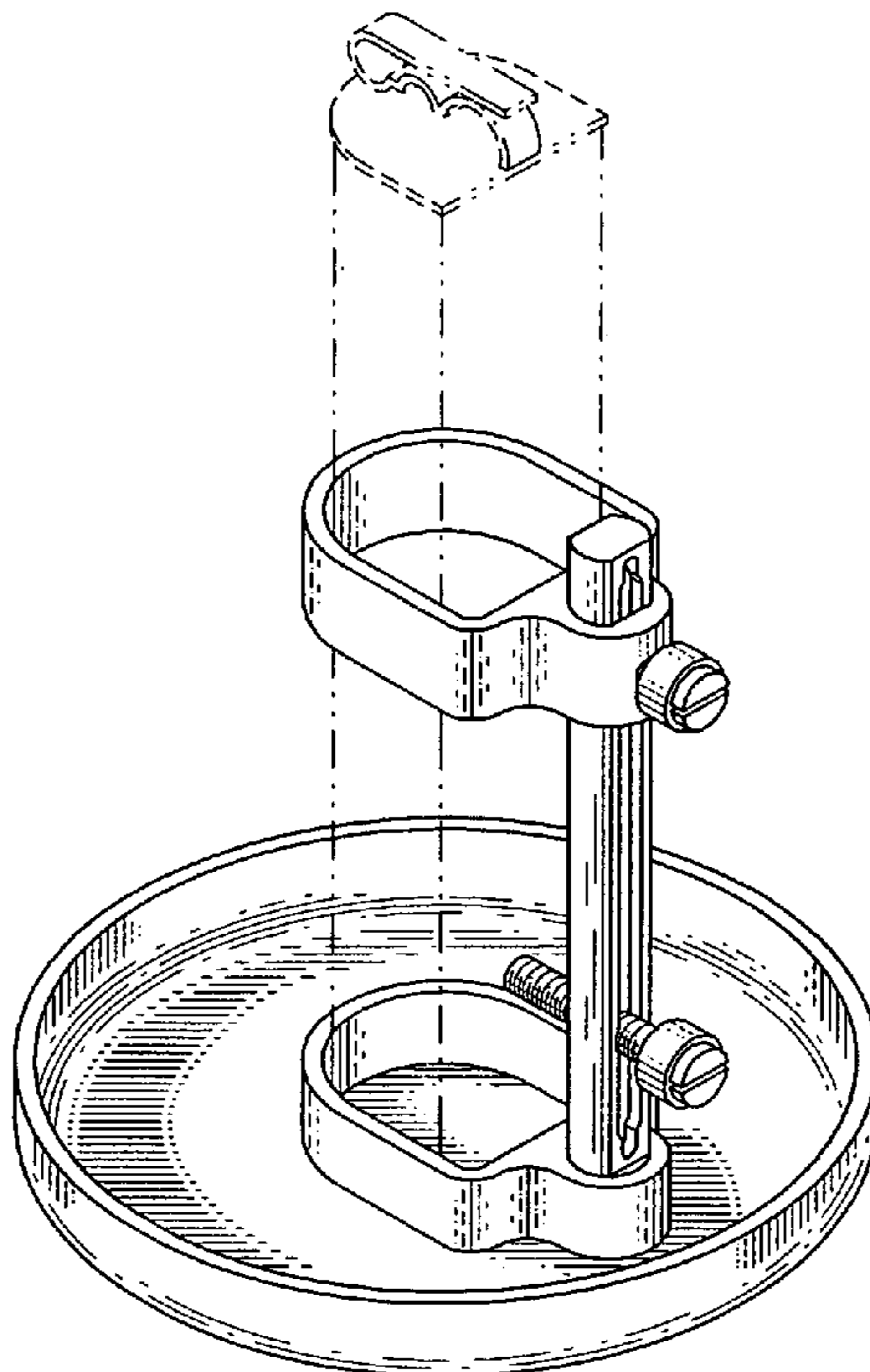
FIG. 3 is a front view.

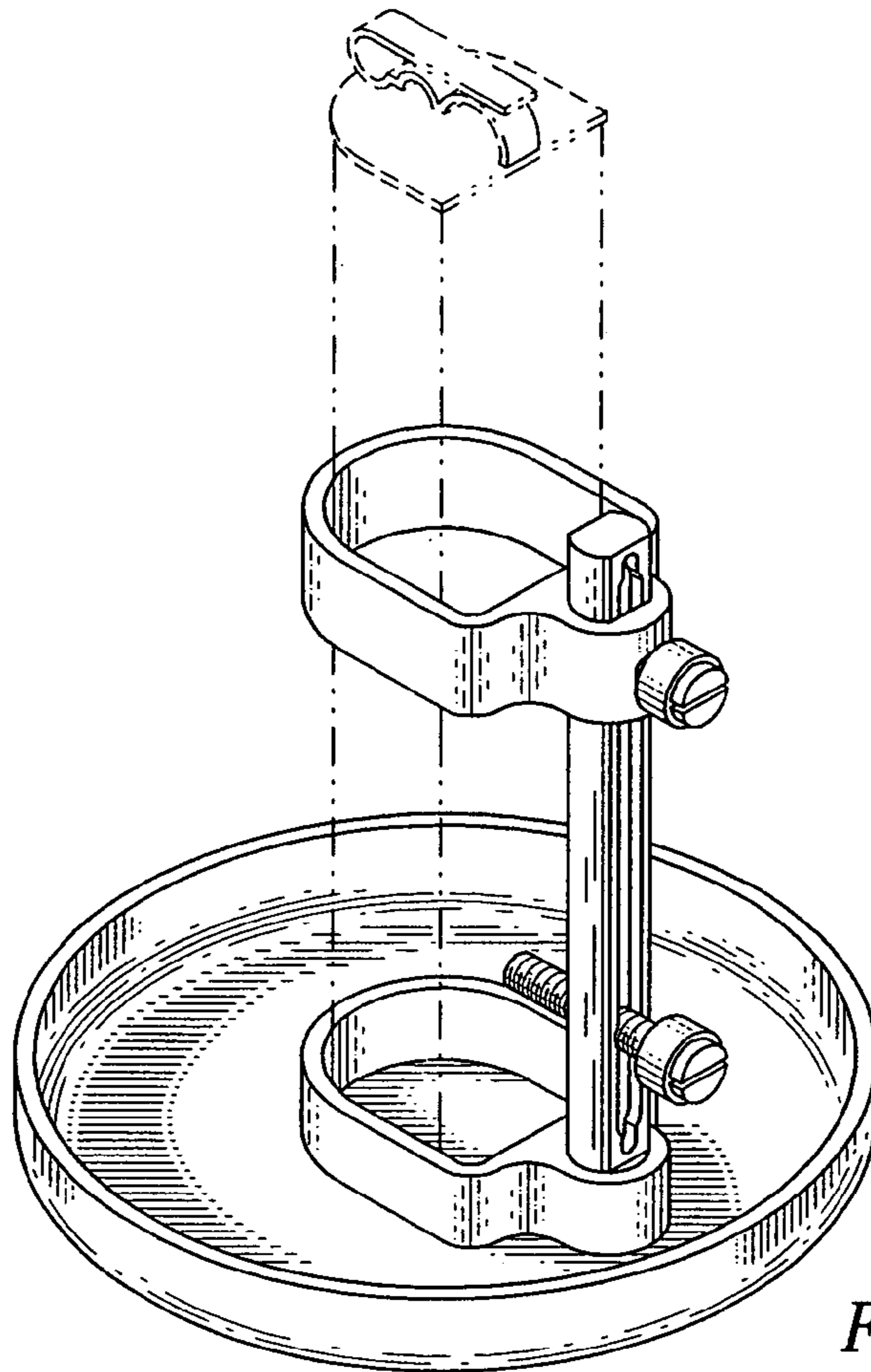
FIG. 4 is a top view.

FIG. 5 is a rear view; and,

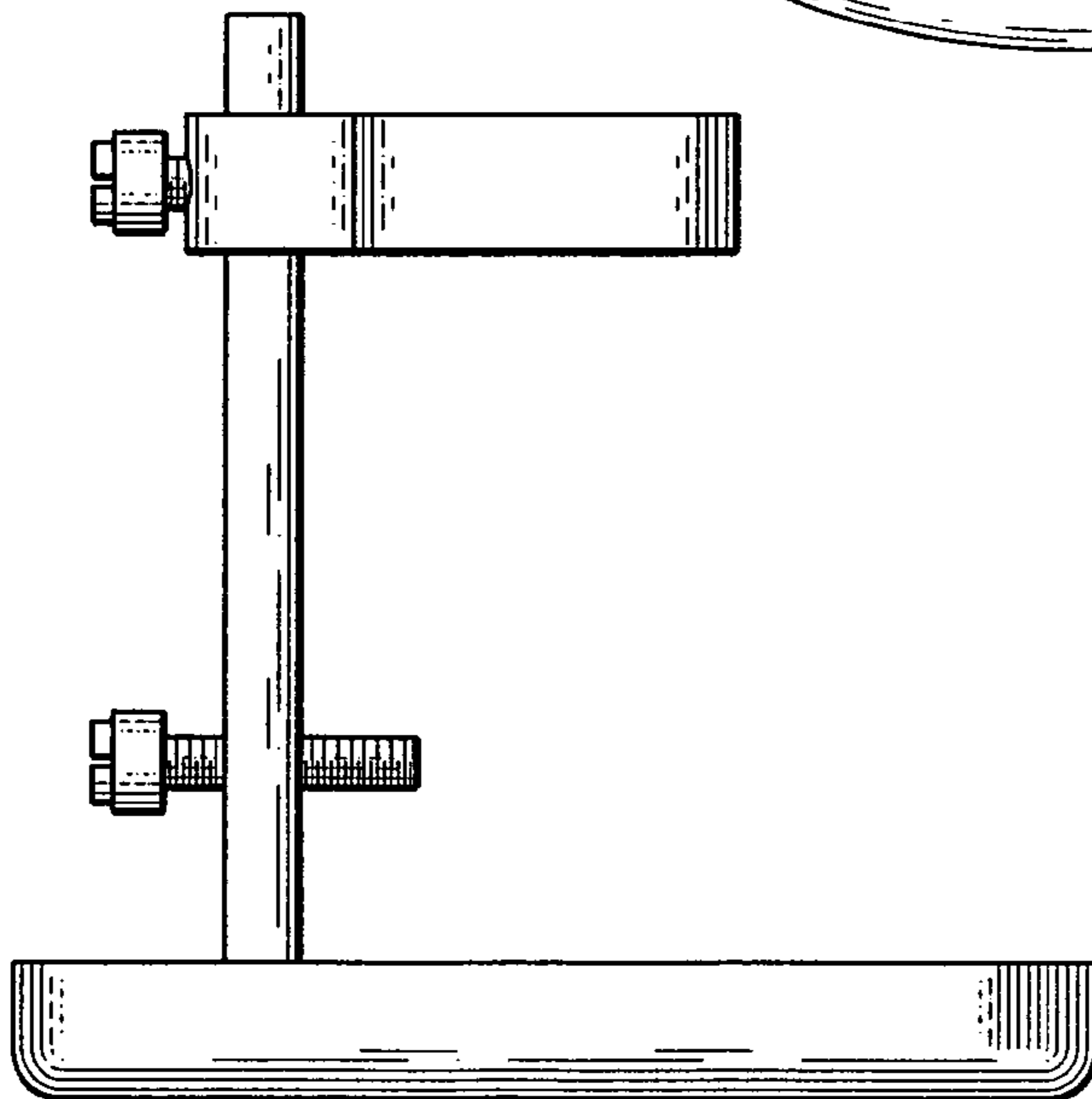
FIG. 6 is a bottom view.

**1 Claim, 2 Drawing Sheets**

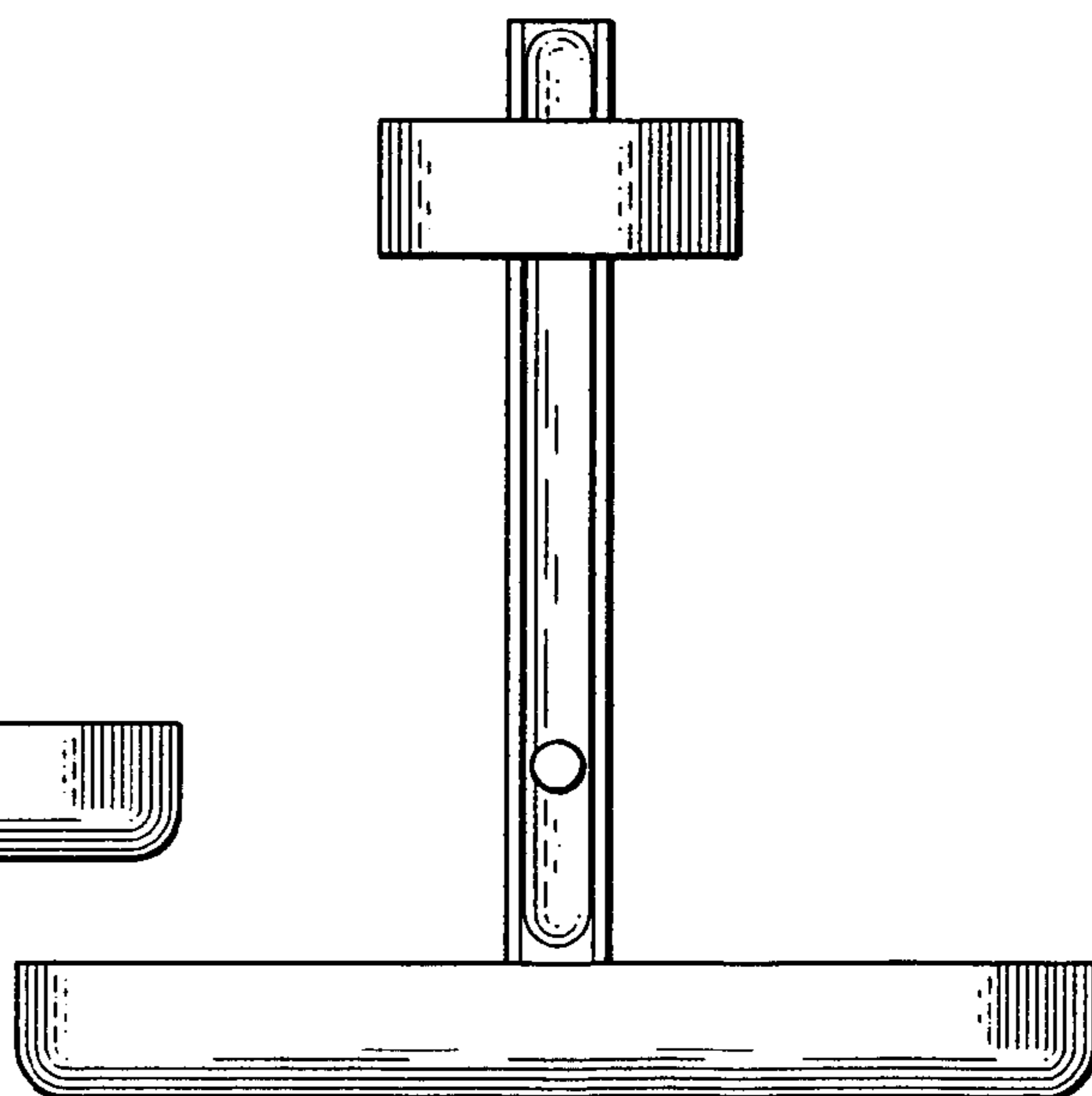




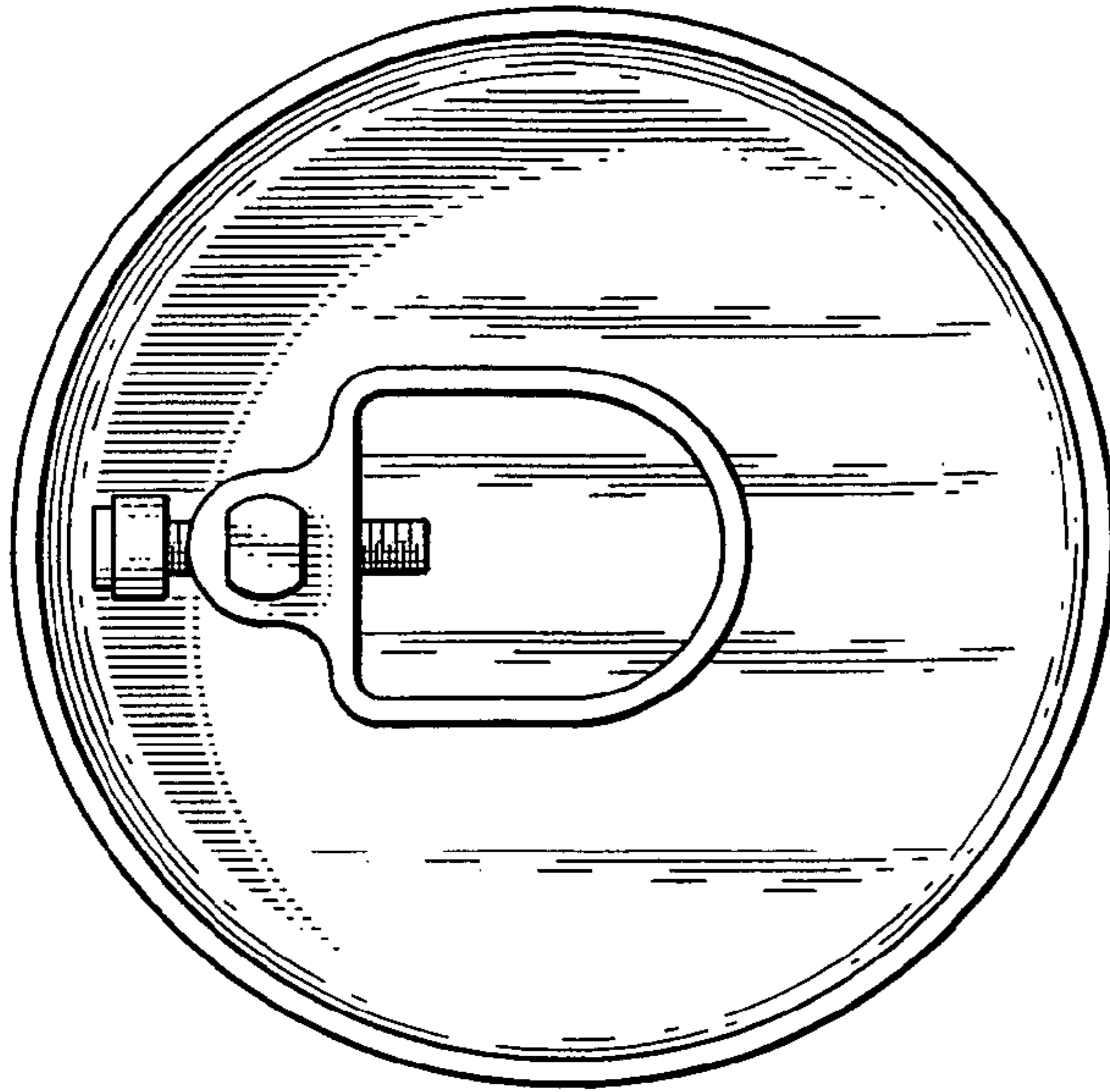
*Fig. 1*



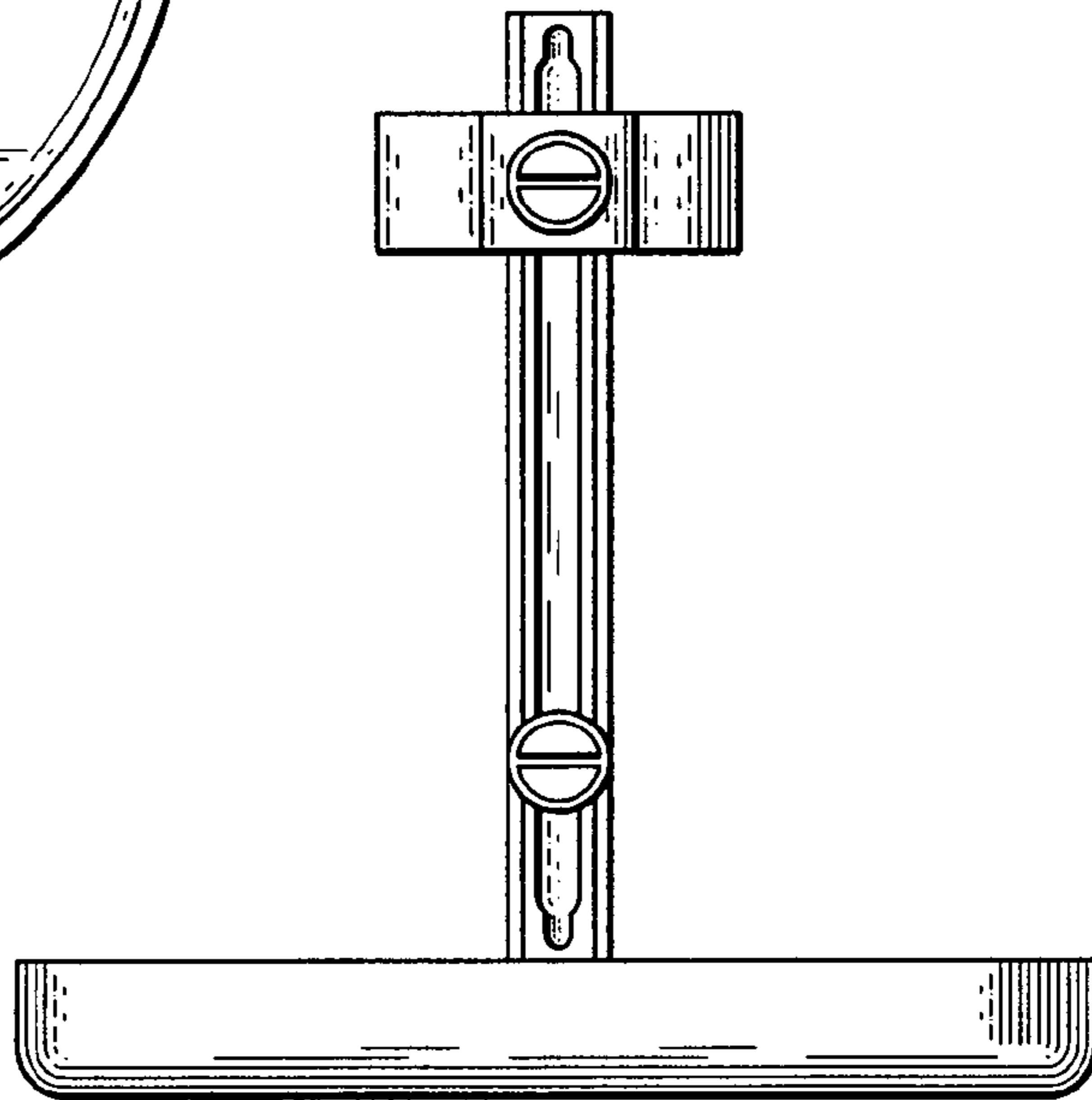
*Fig. 2*



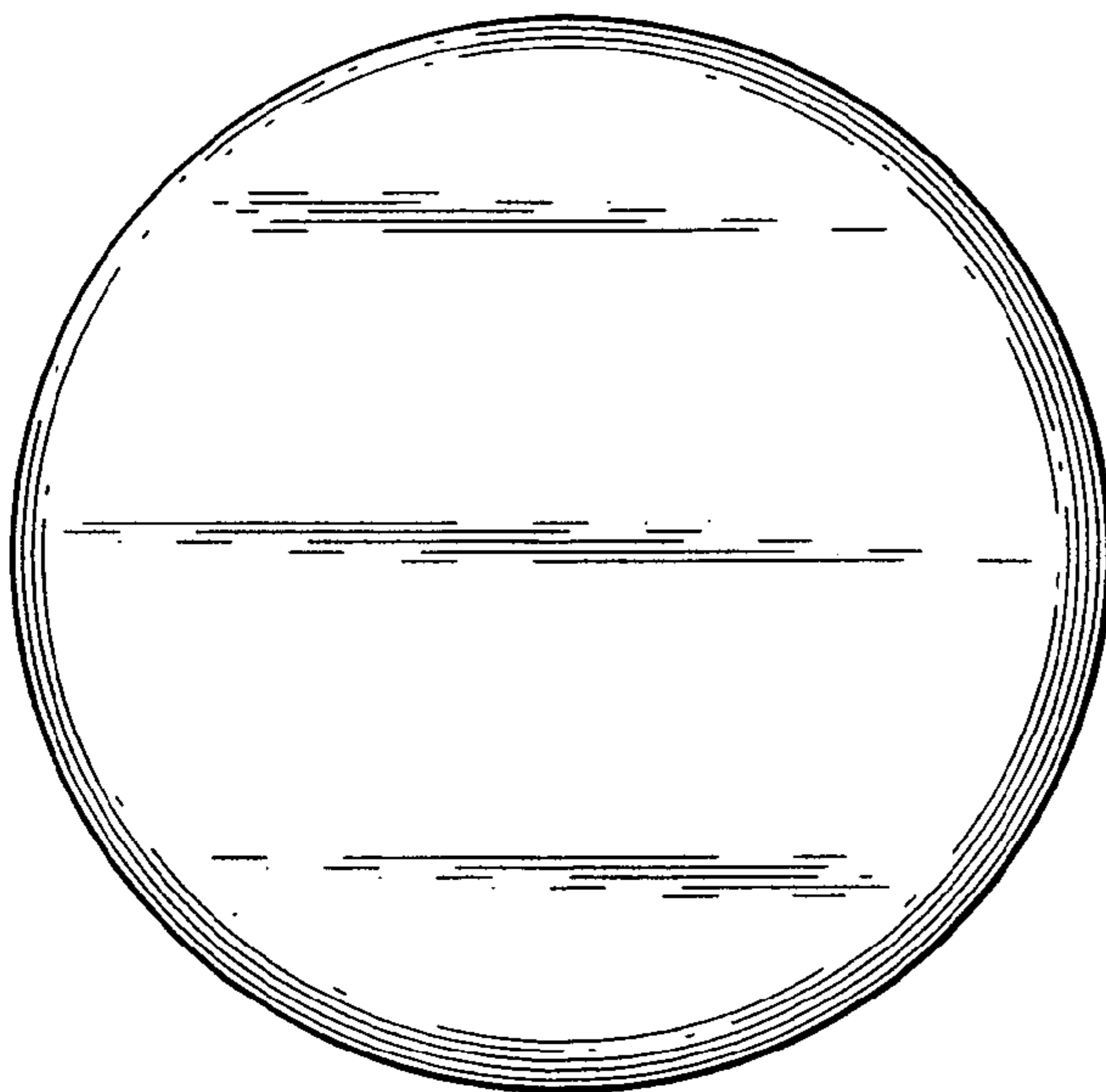
*Fig. 3*



*Fig. 4*



*Fig. 5*



*Fig. 6*