



US00D562500S

(12) **United States Design Patent** (10) **Patent No.:** **US D562,500 S**
Dretzka (45) **Date of Patent:** **** Feb. 19, 2008**

(54) **CANISTER**

(75) Inventor: **Philip C. Dretzka**, Mariemont, OH (US)

(73) Assignee: **InterDesign, Inc.**, Solon, OH (US)

(**) Term: **14 Years**

(21) Appl. No.: **29/271,624**

(22) Filed: **Jan. 23, 2007**

(51) **LOC (8) Cl.** **28-03**

(52) **U.S. Cl.** **D28/73; D7/515**

(58) **Field of Classification Search** D7/612-615, D7/538-542, 601-603, 629; D28/73; D6/513; 220/780-788, 792-799, 805
See application file for complete search history.

(56) **References Cited**

U.S. PATENT DOCUMENTS

D170,295 S *	8/1953	Ziskin et al.	D7/615
D322,753 S *	12/1991	Sussman	D9/504
D329,962 S *	10/1992	Hestehave et al.	D7/612
D378,976 S *	4/1997	Joergensen	D7/612
D400,005 S *	10/1998	Wolff	D7/612
D431,754 S *	10/2000	Thuma	D7/603
D470,364 S *	2/2003	Dretzka	D7/615
D472,427 S	4/2003	Dretzka	
D473,466 S *	4/2003	Biesecker	D9/503
D481,492 S	10/2003	Dretzka	
D484,280 S *	12/2003	Dretzka	D28/73
D502,365 S	3/2005	Dretzka	
D505,828 S	6/2005	Snell	
D528,358 S	9/2006	Snell	

OTHER PUBLICATIONS

InterDesign, Inc. Product Brochure—2001, pp. 12, 13.

InterDesign, Inc. Product Brochure—2003, pp. 6, 9-10, 14-16, 18-19, 22, 24.

InterDesign, Inc. Product Brochure—2004, p. 18.

* cited by examiner

Primary Examiner—Terry A Wallace

(74) *Attorney, Agent, or Firm*—D. Peter Hochberg; Sean Mellino

(57) **CLAIM**

The ornamental design for a canister, as shown and described.

DESCRIPTION

FIG. 1 is a perspective view of the canister according to the invention, showing the lid of the canister in an engaged position;

FIG. 2 is a perspective view of the canister according to the invention, showing the lid of the canister in a disengaged position;

FIG. 3 is a top view of the canister as shown in FIG. 1, showing the lid of the canister in an engaged position;

FIG. 4 is a side view of the canister as shown in FIG. 1, showing the lid of the canister in an engaged position;

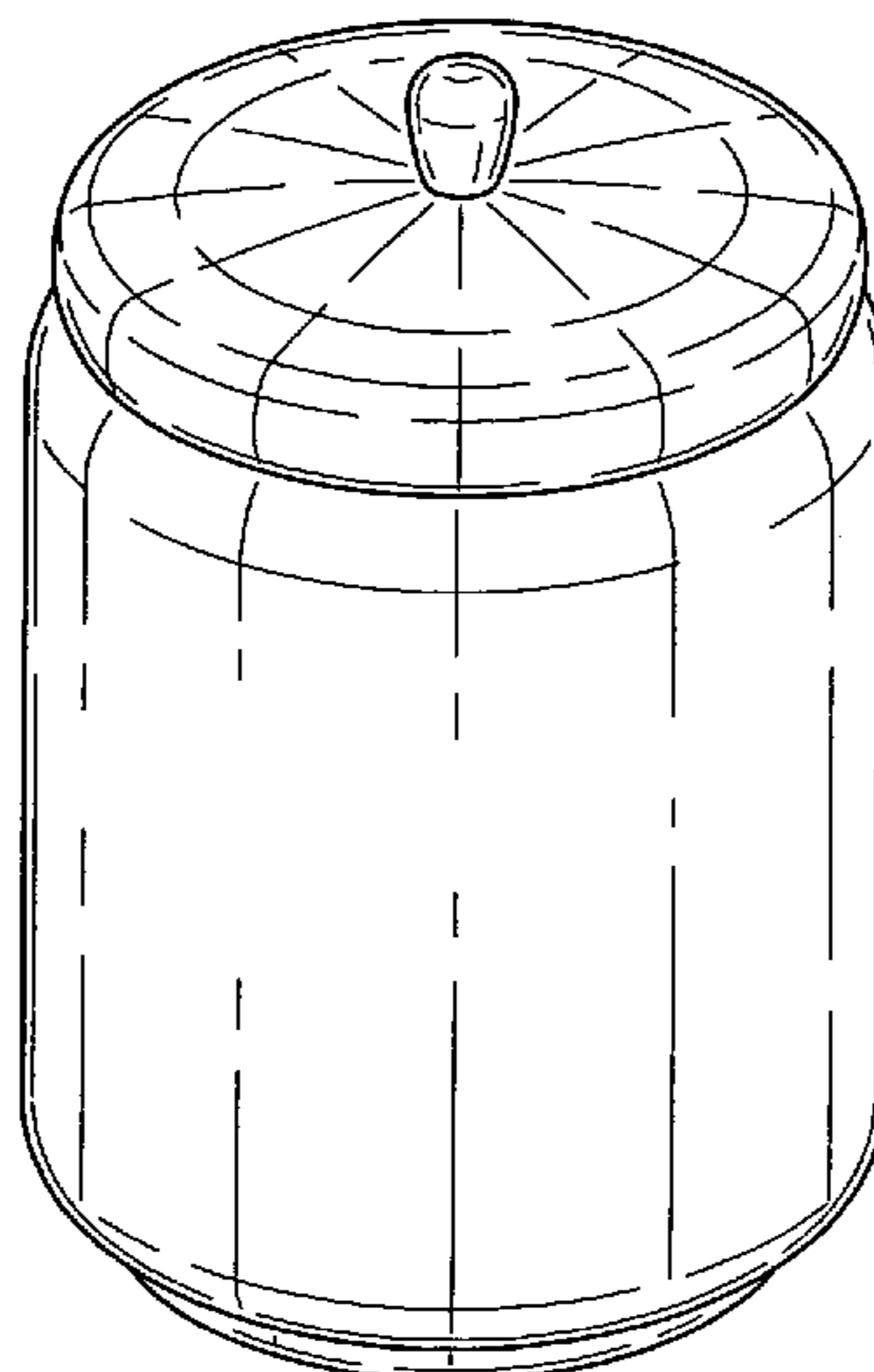
FIG. 5 is a side view of the canister as shown in FIG. 1, showing the lid of the canister in a disengaged position;

FIG. 6 is a bottom view of the canister as shown in FIG. 1;

FIG. 7 is a bottom view of the lid of the canister as shown in FIG. 1, taken from view 7—7 of FIG. 5; and,

FIG. 8 is a top view of the canister as shown in FIG. 1, taken from view 8—8 of FIG. 5 and showing the lid of the canister in a disengaged position.

1 Claim, 4 Drawing Sheets



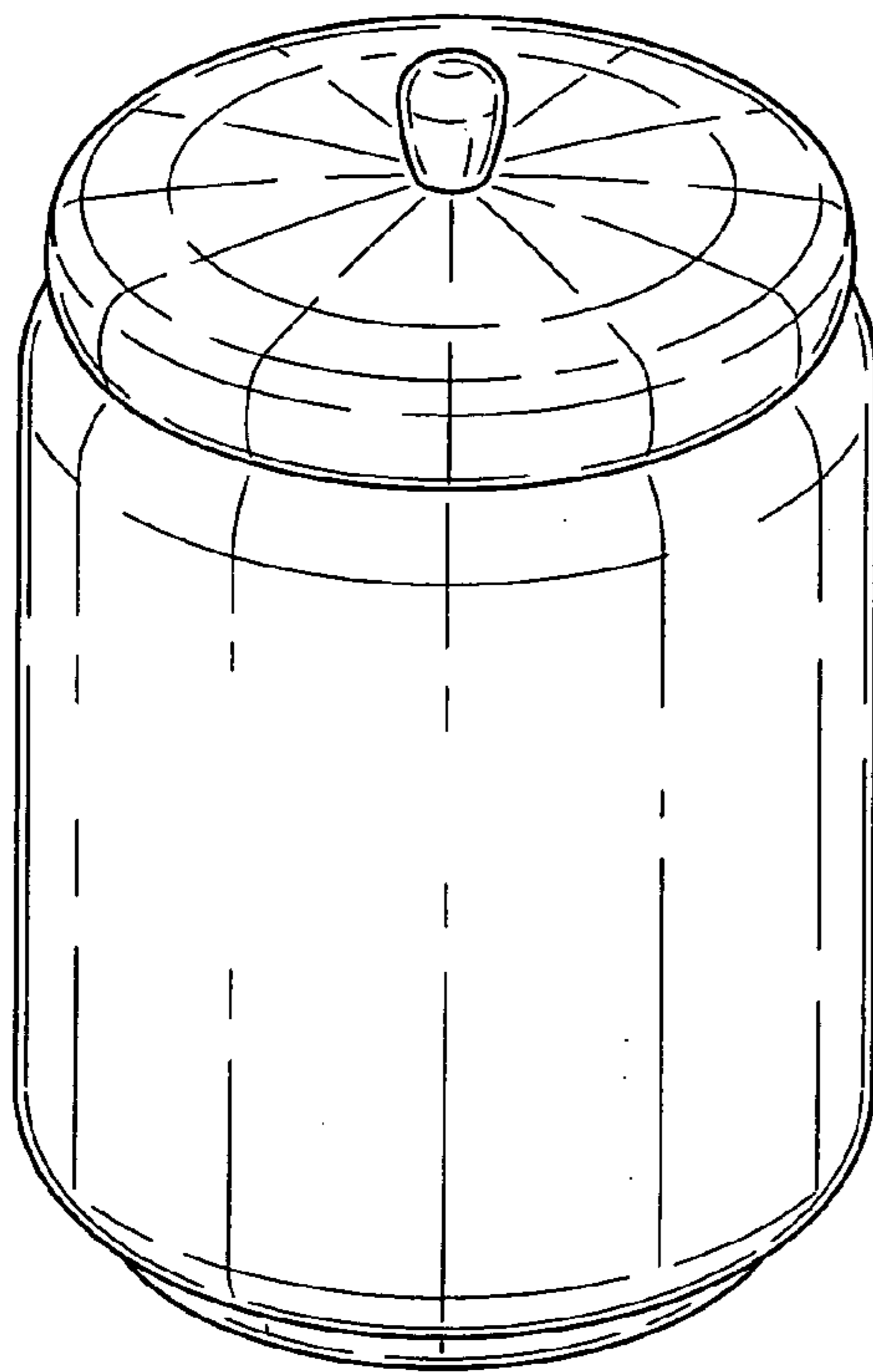


FIG-1

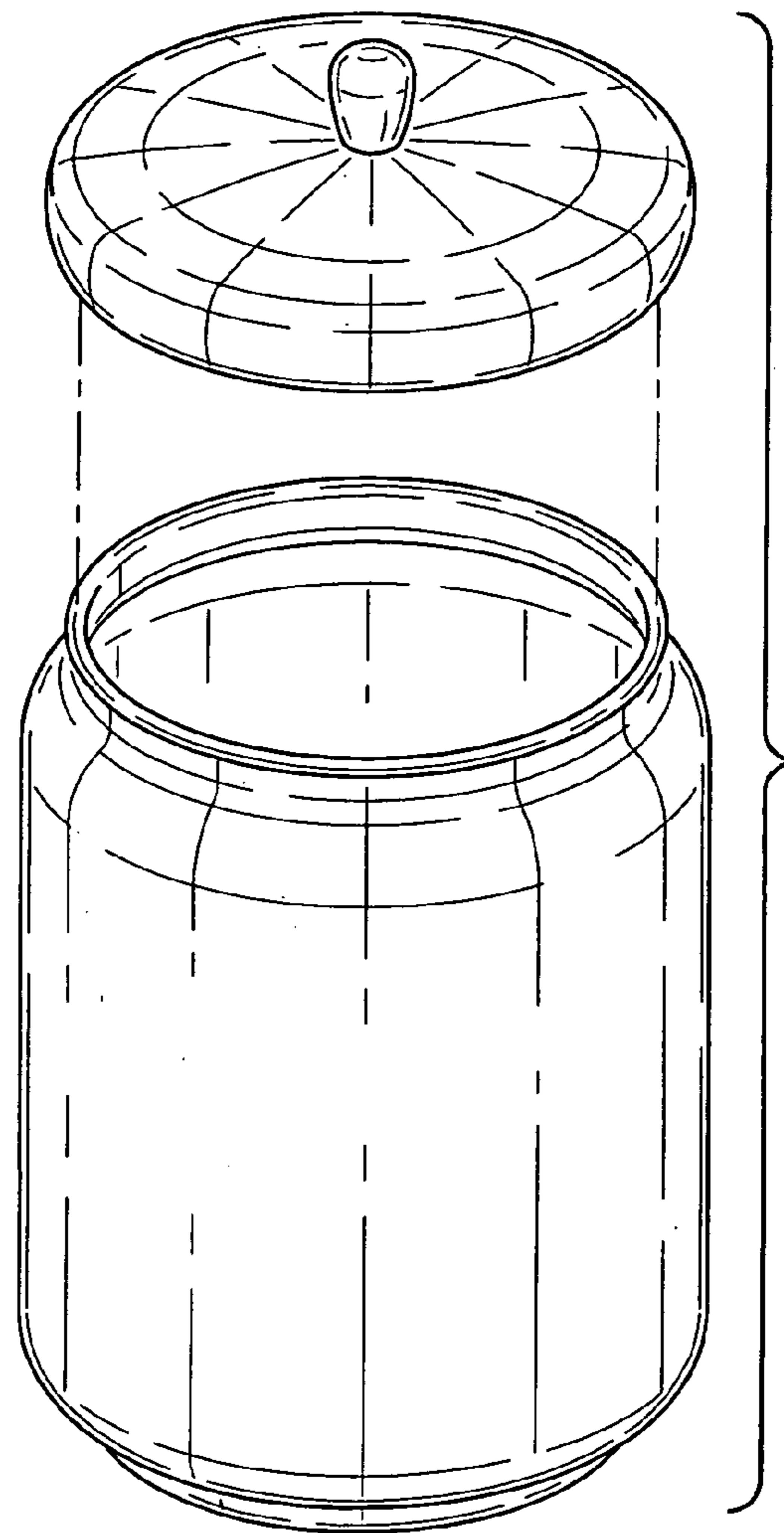


FIG-2

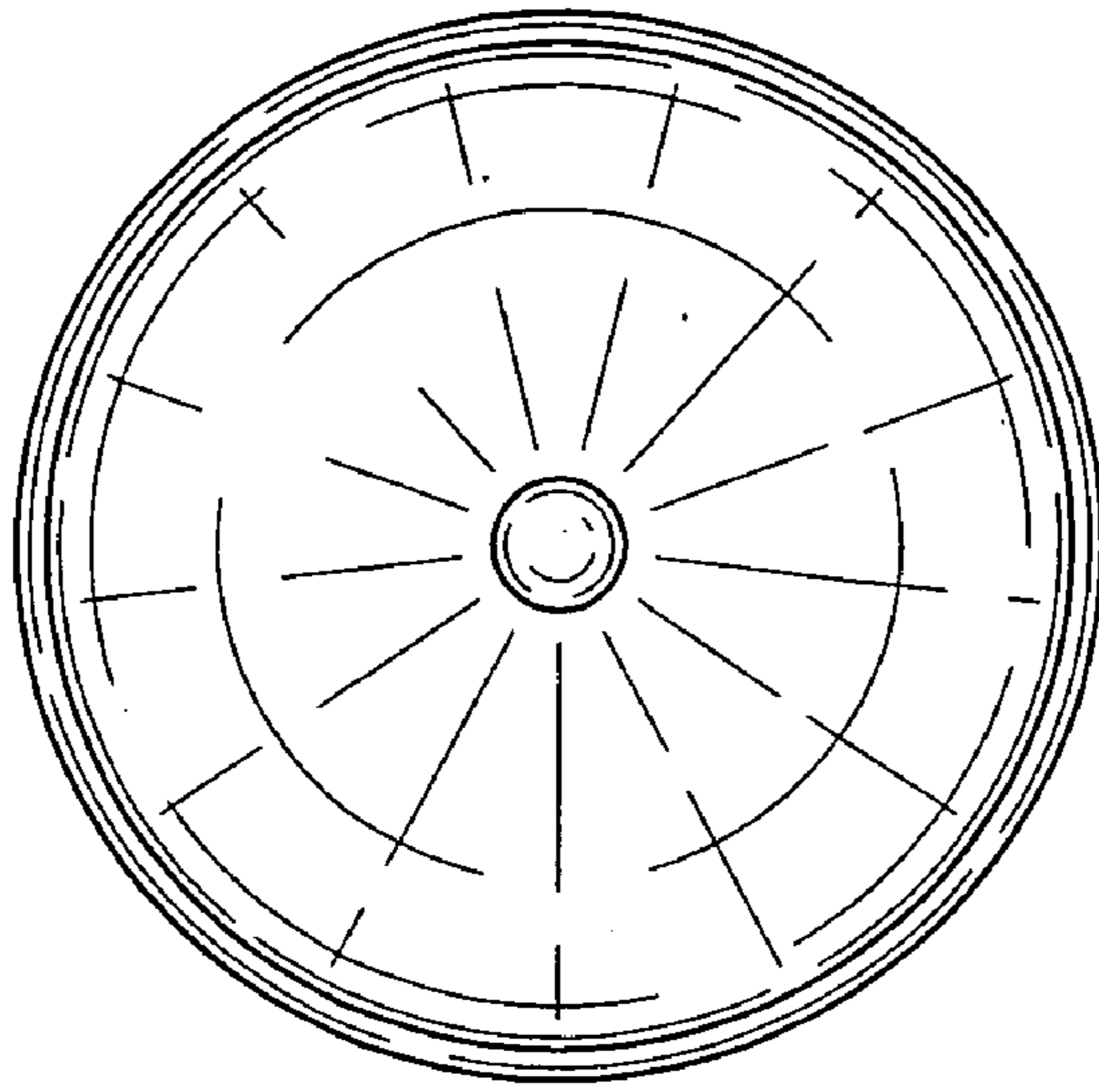


FIG-3

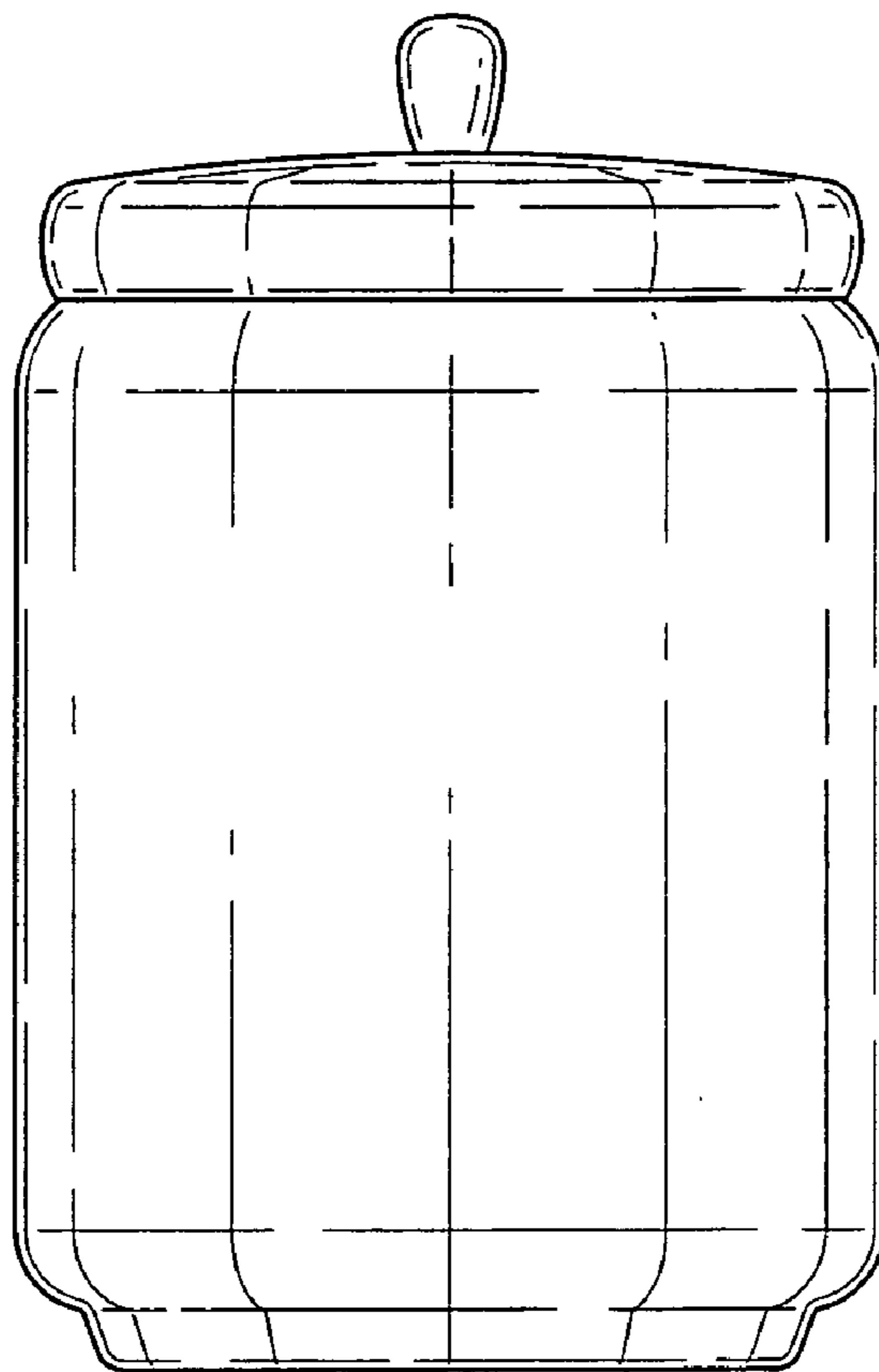


FIG-4

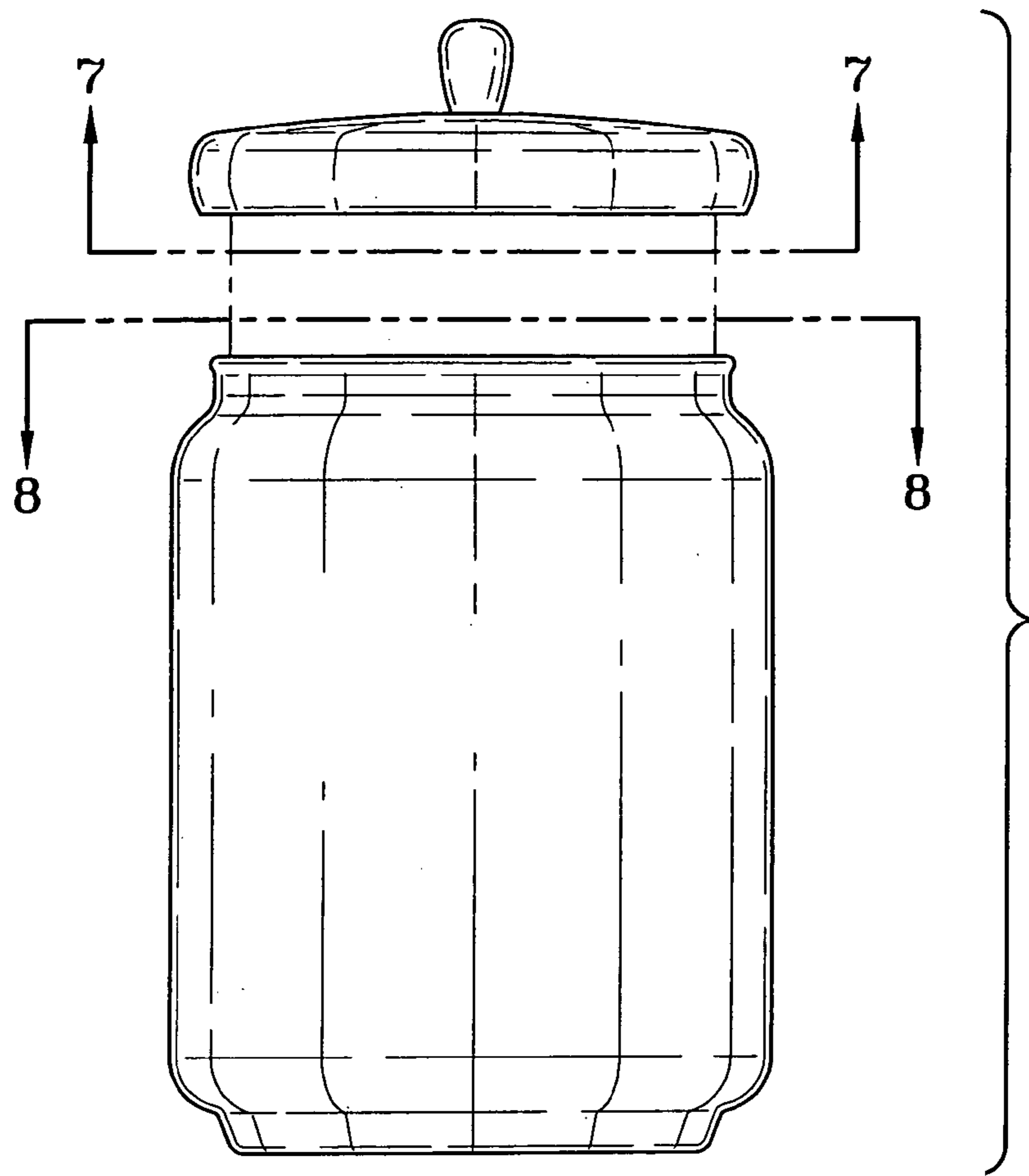


FIG-5

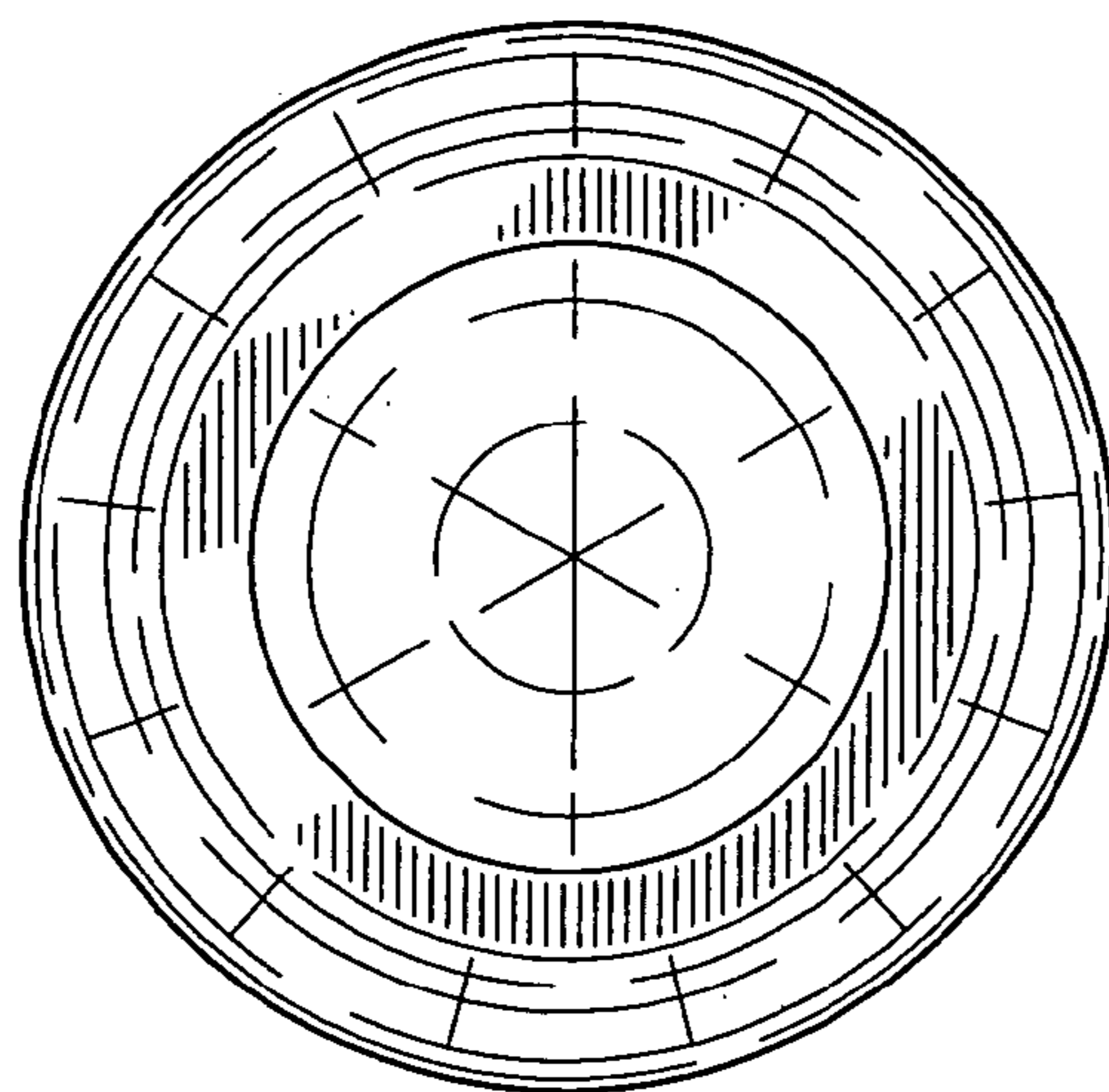


FIG-6

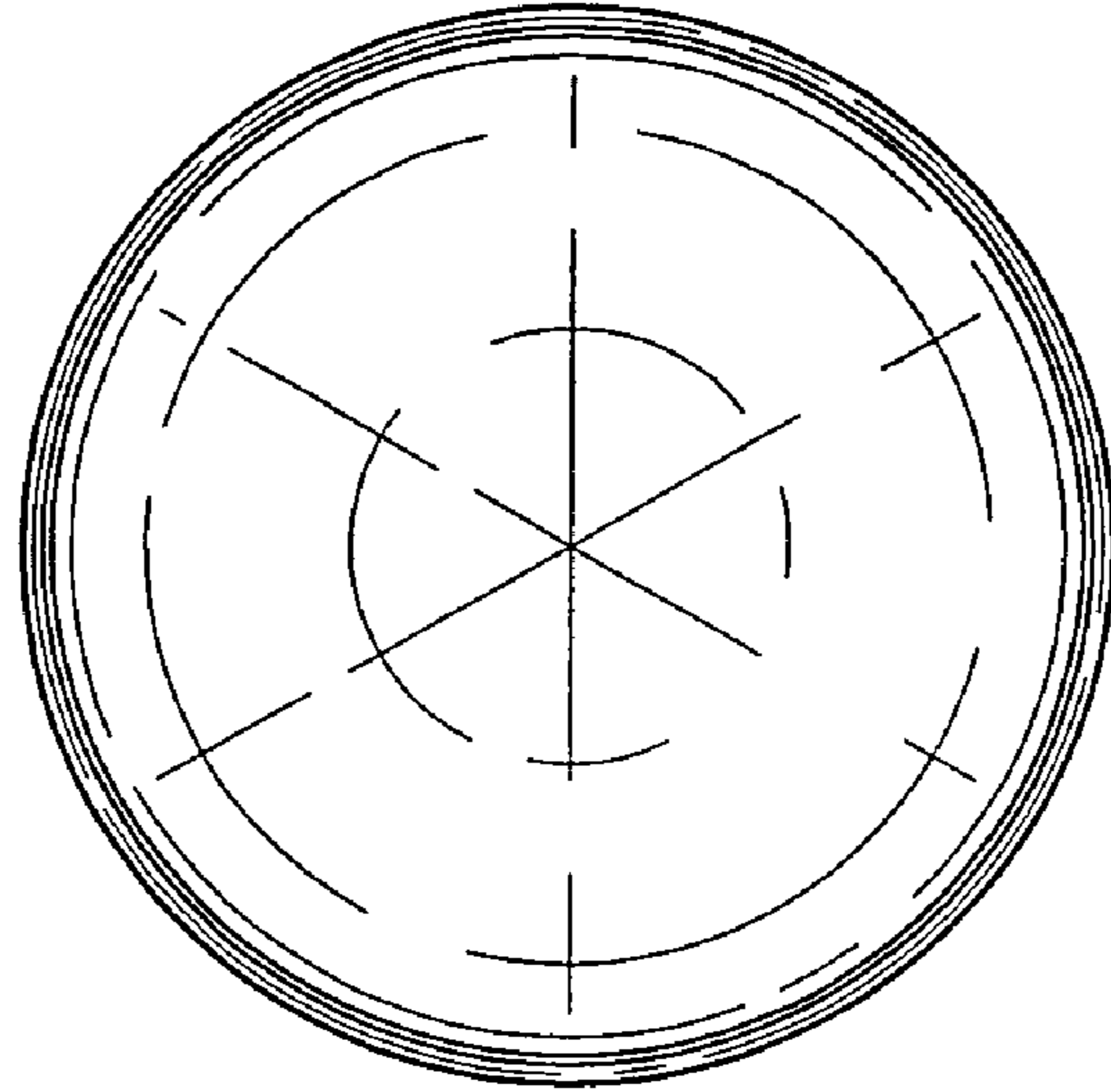


FIG-7

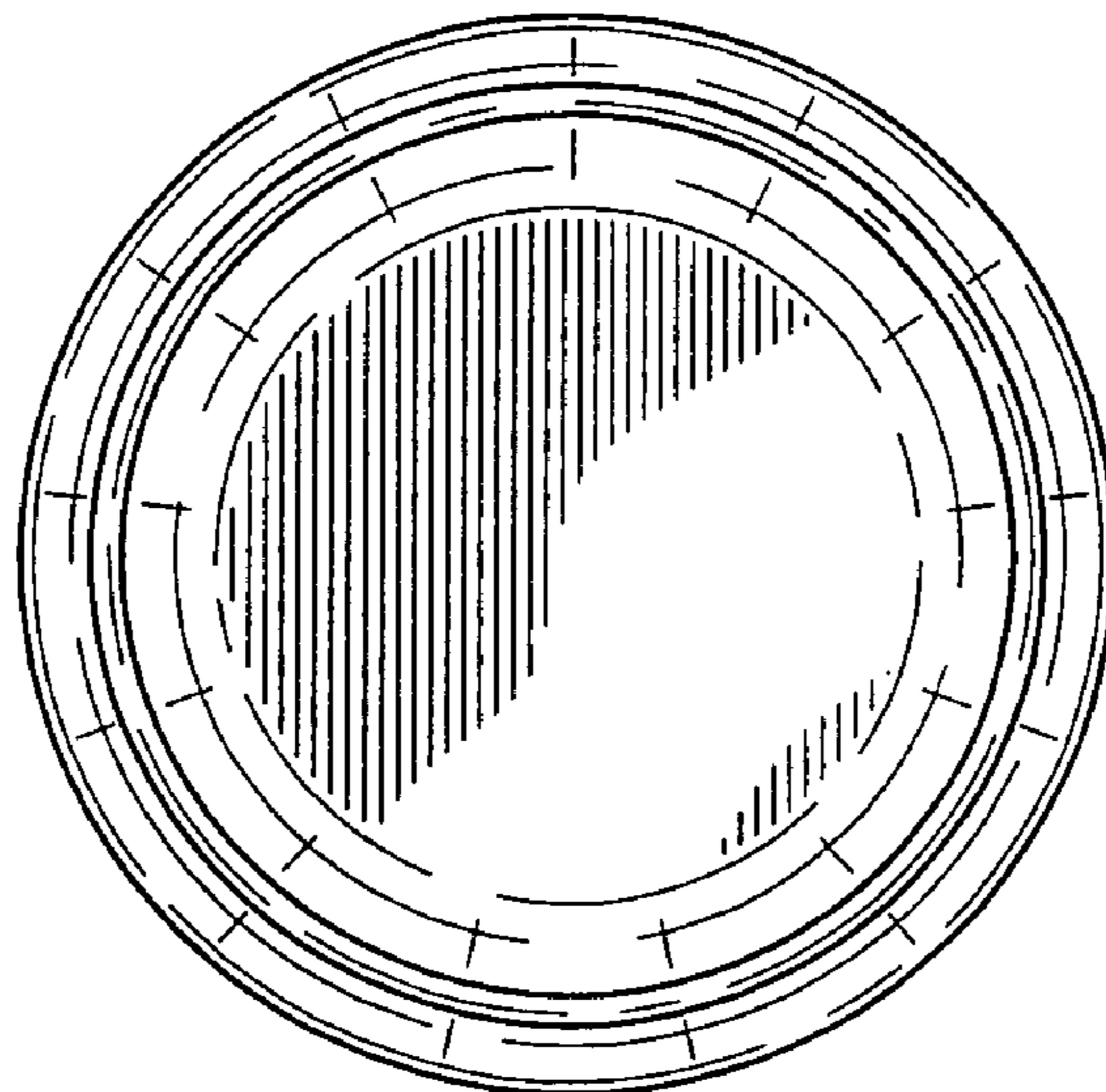


FIG-8