

US00D562499S

(12) **United States Design Patent**
Park

(10) **Patent No.:** **US D562,499 S**

(45) **Date of Patent:** **** Feb. 19, 2008**

(54) **NAIL CLIPPER**

(75) Inventor: **Il Yong Park**, Seoul (KR)

(73) Assignee: **Shinwoo Union Co., Ltd.**, Seoul (KR)

(**) Term: **14 Years**

(21) Appl. No.: **29/286,072**

(22) Filed: **Apr. 20, 2007**

(30) **Foreign Application Priority Data**

Mar. 7, 2007 (KR) 30-2007-0009947

(51) **LOC (8) Cl.** **28-03**

(52) **U.S. Cl.** **D28/60**

(58) **Field of Classification Search** 132/73,
132/73.5, 75, 75.3, 75.4, 75.5, 75.6, 76.2;
D28/60; 30/26-29, 186

See application file for complete search history.

(56) **References Cited**

U.S. PATENT DOCUMENTS

D347,296 S * 5/1994 Adelman D28/60

D403,116 S * 12/1998 Ross D28/60

D446,352 S * 8/2001 Grayson D28/60

6,560,874 B1 * 5/2003 DeMezzo 30/28

* cited by examiner

Primary Examiner—Jennifer Rivard

(74) *Attorney, Agent, or Firm*—The Webb Law Firm

(57) **CLAIM**

The ornamental design for a nail clipper, as shown and described.

DESCRIPTION

FIG. 1 is a perspective view of a nail clipper in accordance with the present invention;

FIG. 2 is a front view thereof;

FIG. 3 is a right side view thereof;

FIG. 4 is a left side view thereof;

FIG. 5 is a top view thereof;

FIG. 6 is a bottom view thereof;

FIG. 7 is a perspective view showing the nail clipper of FIG. 1 in use;

FIG. 8 is a perspective view showing the nail clipper of FIG. 1 in use; and,

FIG. 9 is a perspective view showing the nail clipper of FIG. 1 in use.

1 Claim, 6 Drawing Sheets

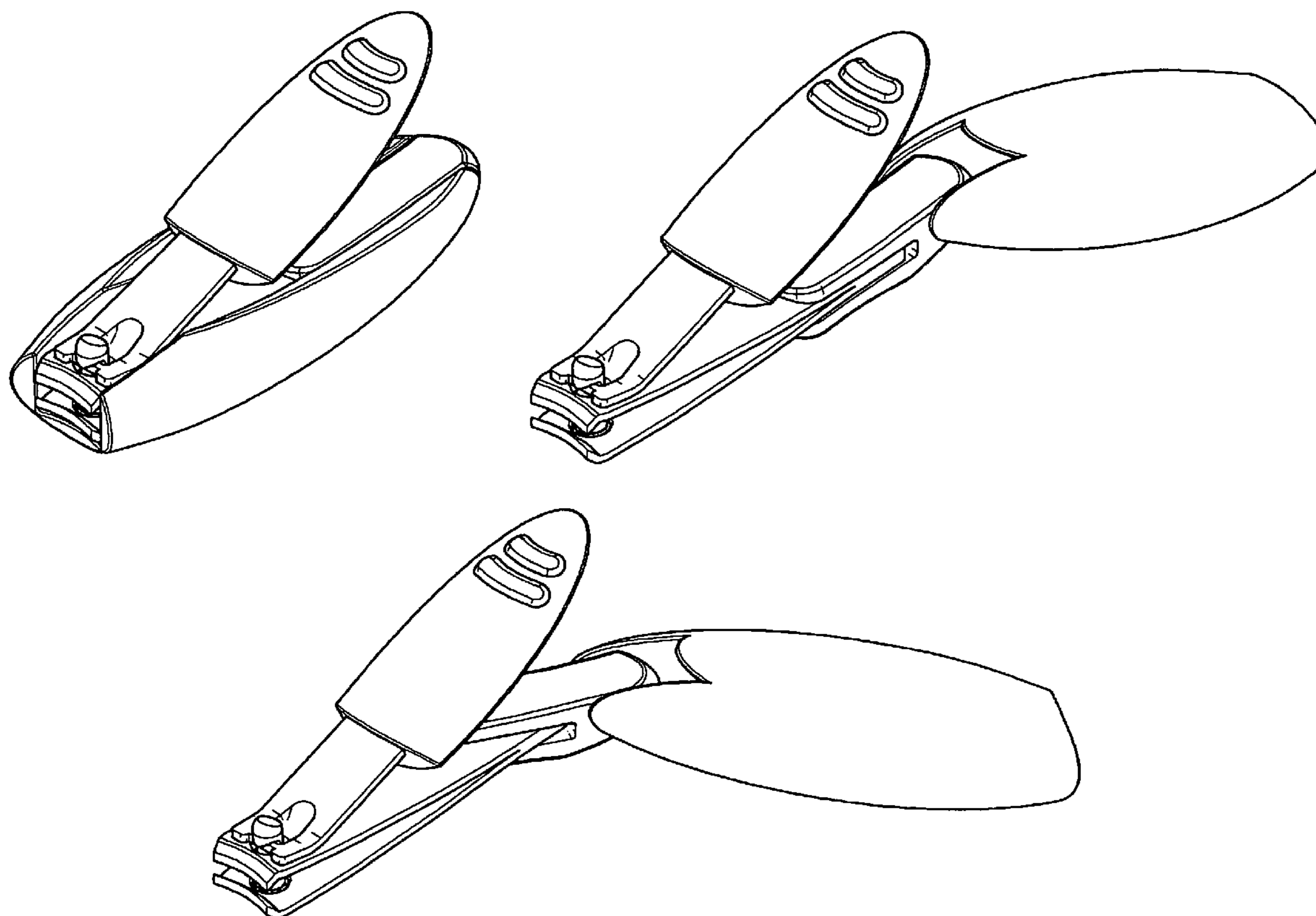


FIG1

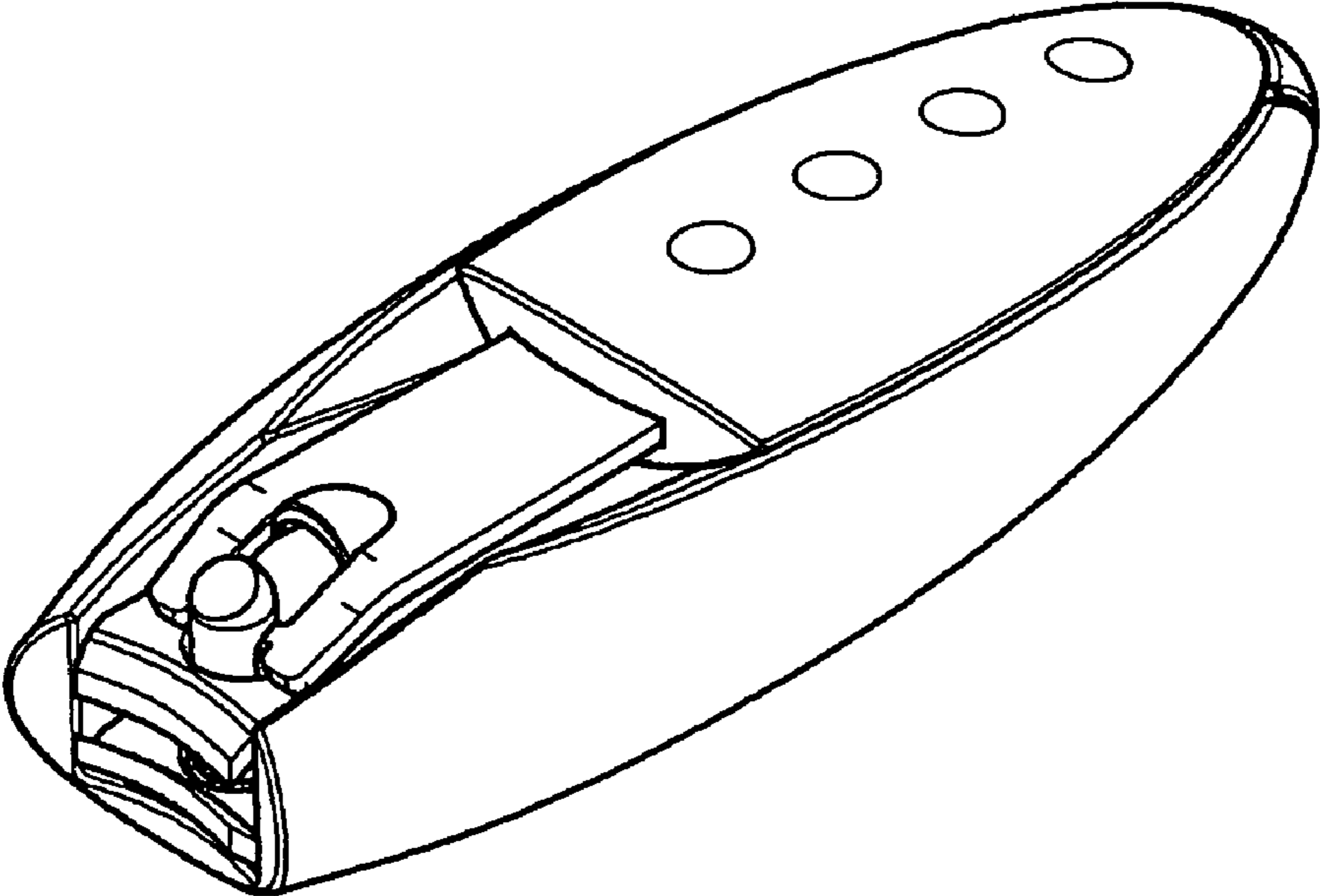


FIG2

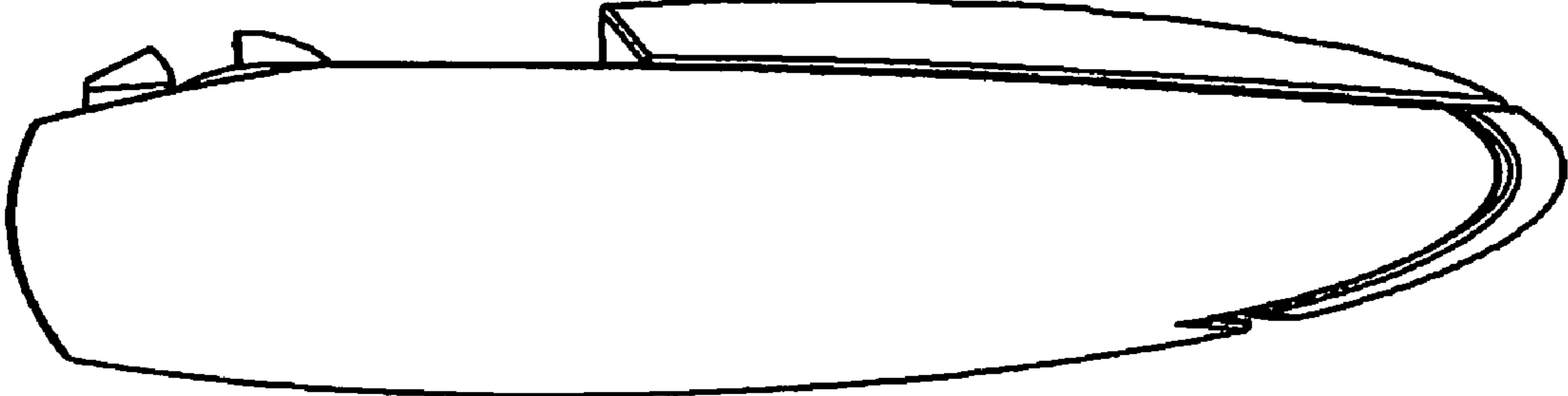


FIG.3

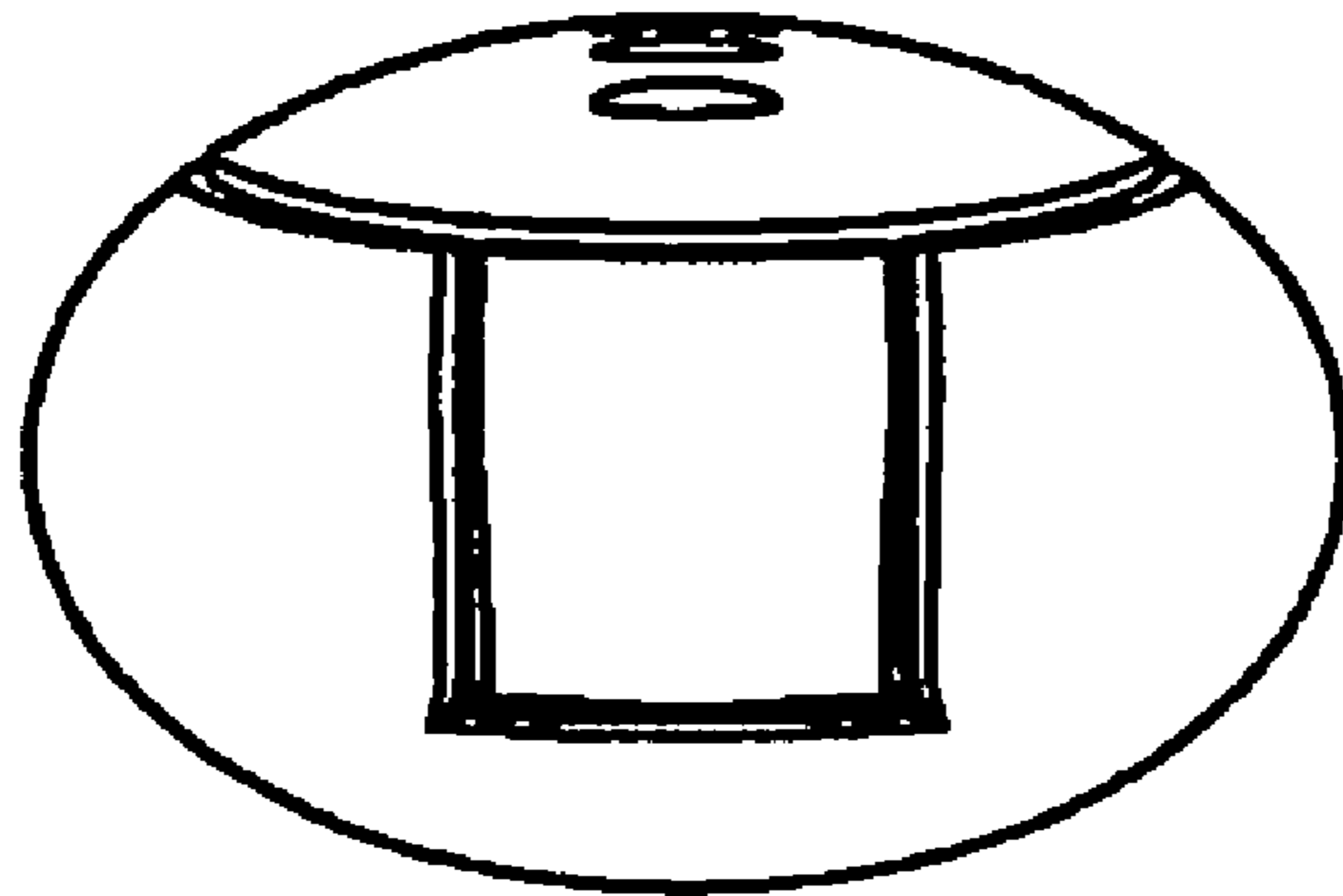


FIG.4

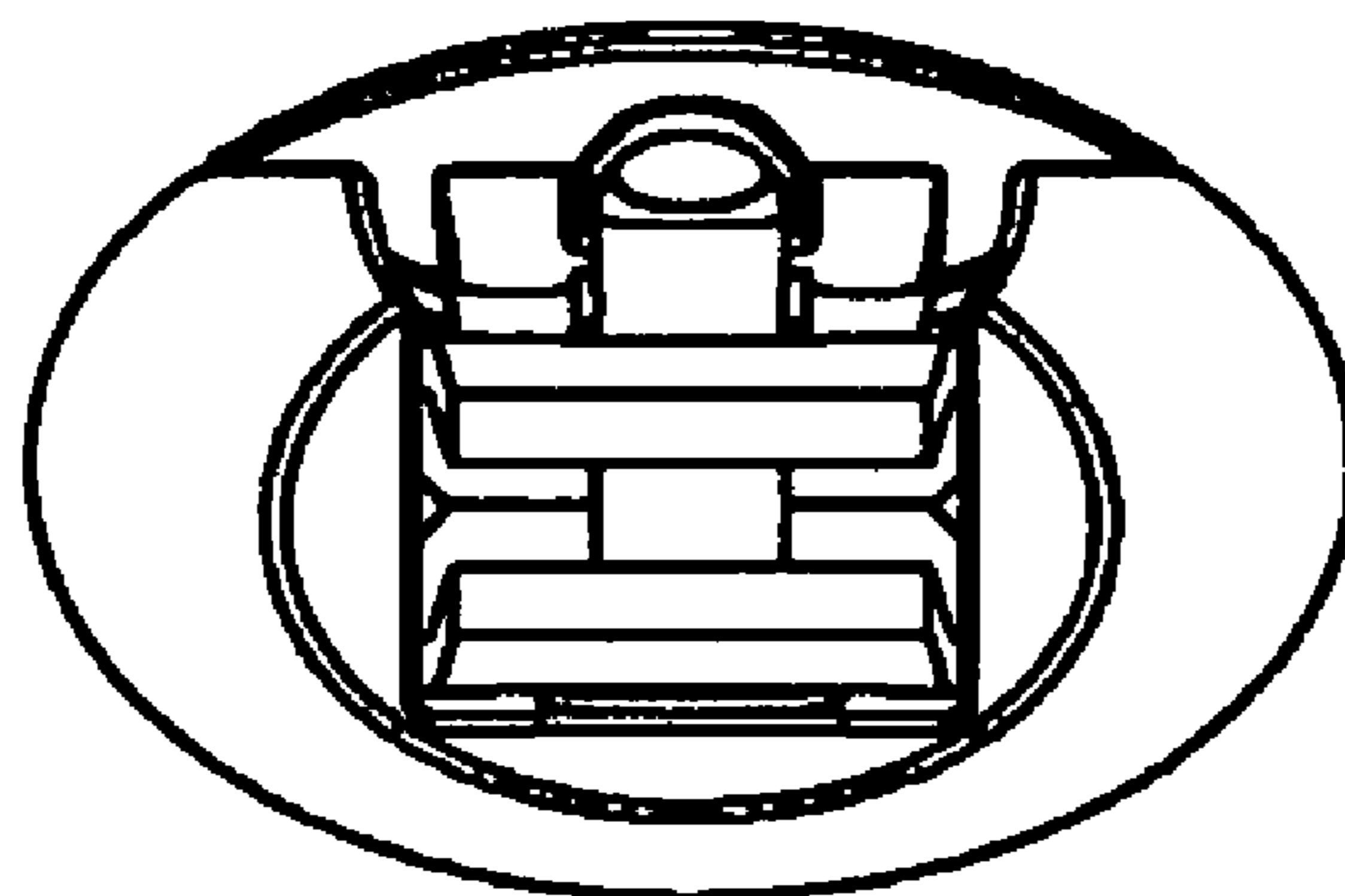


FIG.5

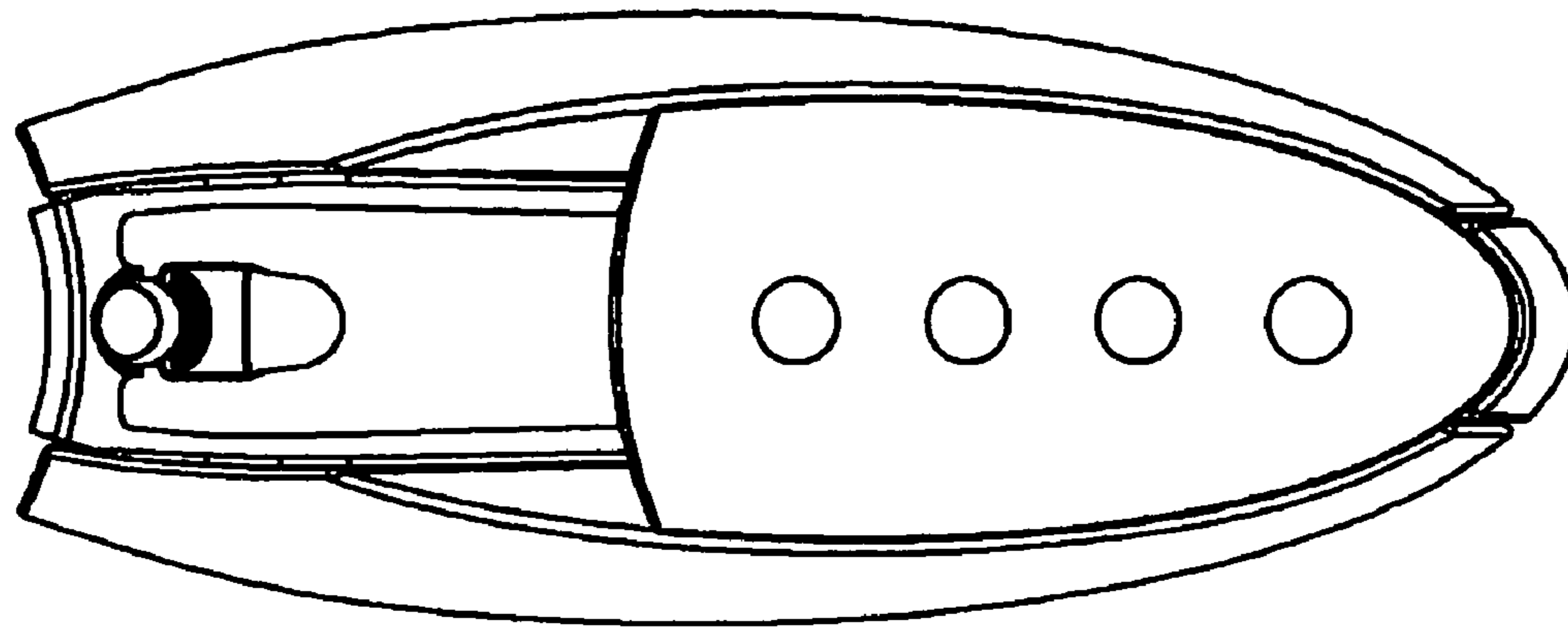


FIG.6

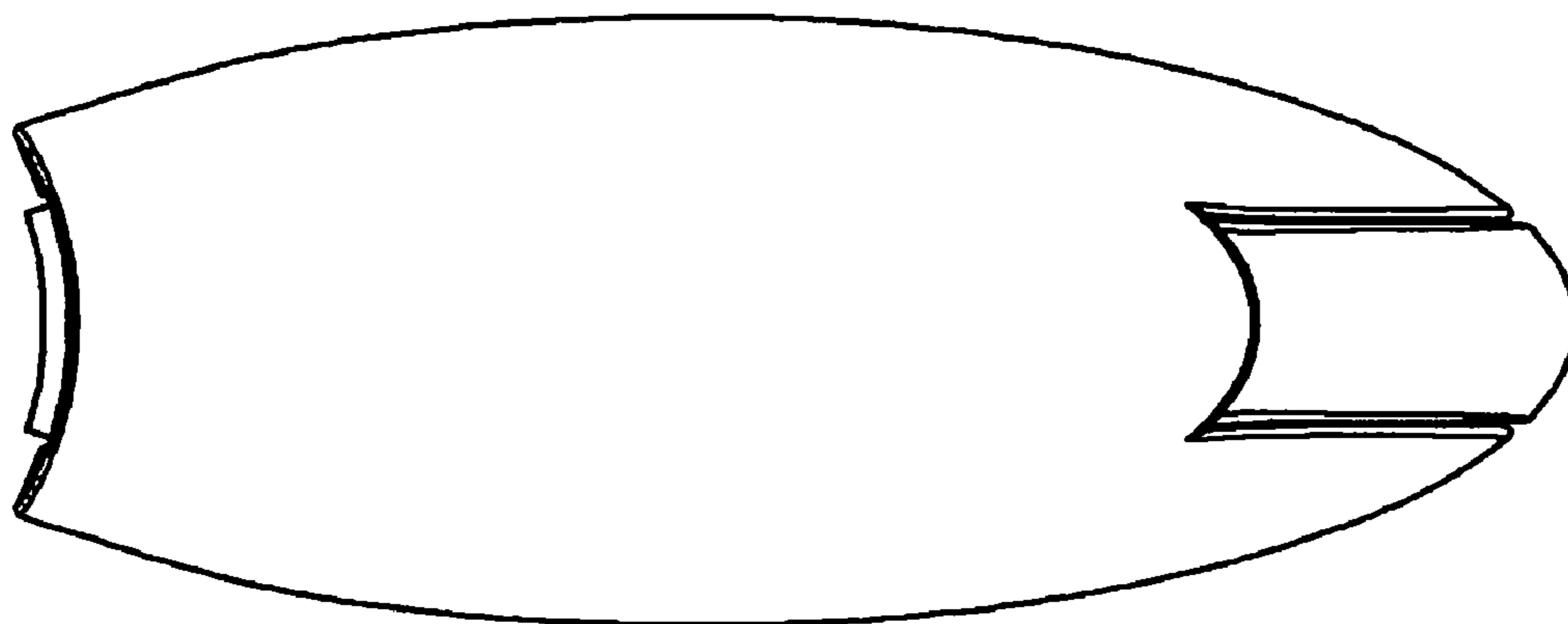


FIG. 7

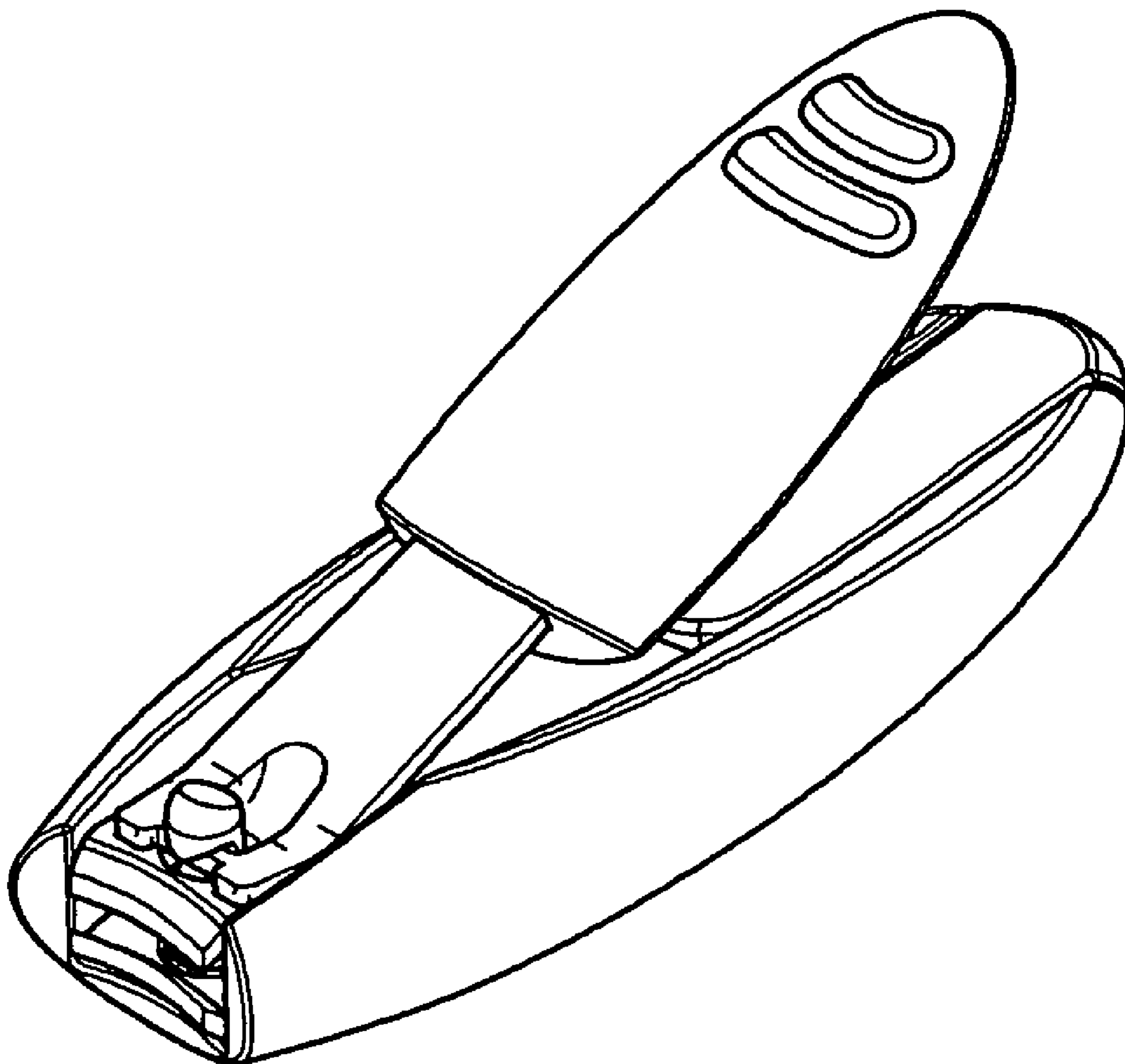


FIG. 8

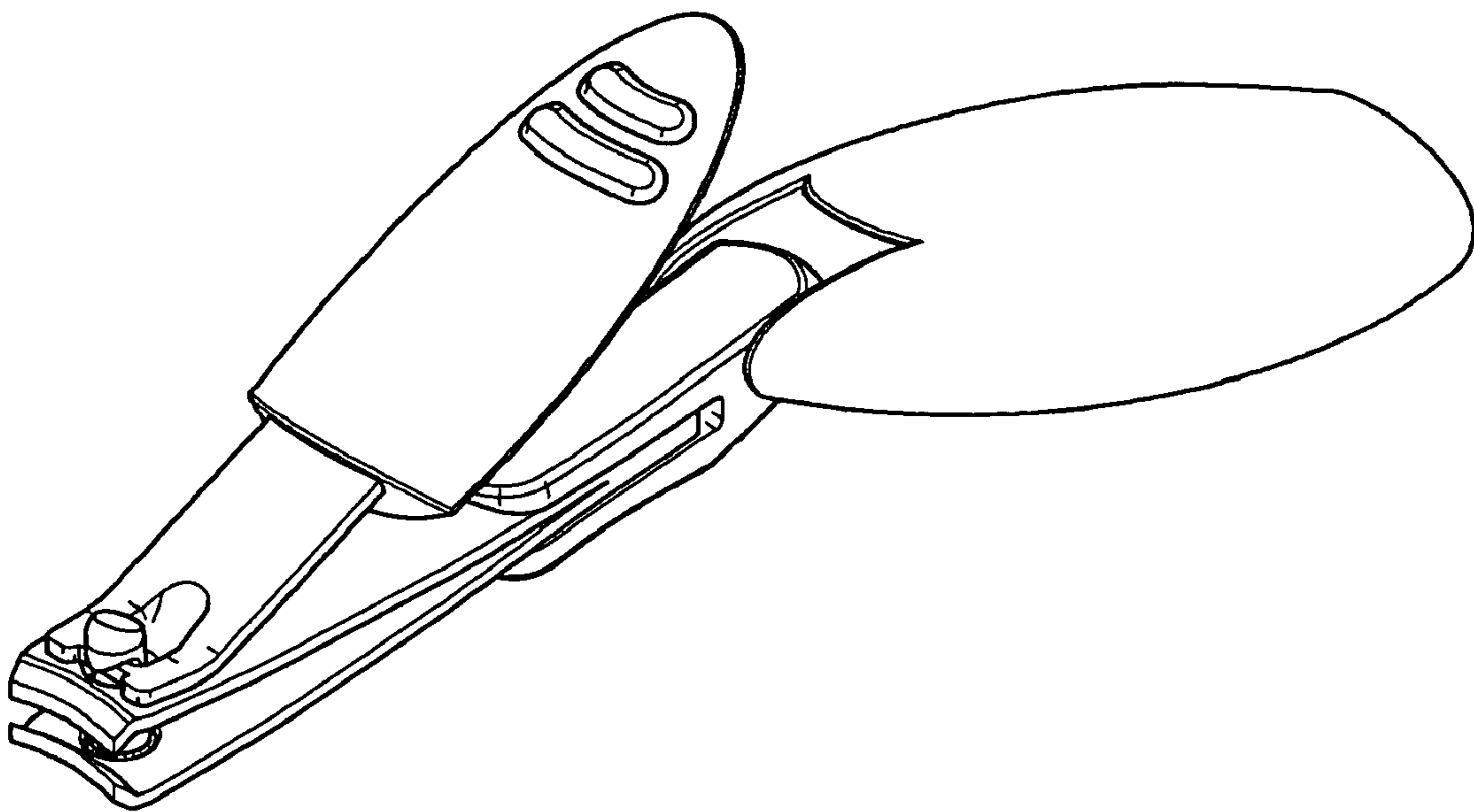


FIG.9

