



US00D562496S

(12) **United States Design Patent** (10) **Patent No.:** **US D562,496 S**
Wiedemann (45) **Date of Patent:** **** Feb. 19, 2008**

(54) **TABLET**

EMOAMI	000156344-		
	0001		6/2004
GB	2080056	*	7/1999
GB	2081153	*	9/1999
GB	2104031		8/2001
GB	3003616		5/2002

(75) Inventor: **Ralf Wiedemann**, Ludwigshafen (DE)

(73) Assignee: **Reckitt Benckiser N.V.**, Hoofddorp (NL)

(**) Term: **14 Years**

(21) Appl. No.: **29/210,804**

(22) Filed: **Aug. 6, 2004**

(30) **Foreign Application Priority Data**

Feb. 11, 2004 (EM) 000131297

(51) **LOC (8) Cl.** **28-03**

(52) **U.S. Cl.** **D28/8.1**

(58) **Field of Classification Search** D24/100-104;
D28/8.1, 8.2; D1/112, 108; D21/440; 424/732,
424/439, 451, 464, 467, 468; 426/78; D9/432
See application file for complete search history.

(56) **References Cited**

U.S. PATENT DOCUMENTS

D269,715 S	*	7/1983	Tovey	D24/101
D442,739 S		5/2001	Friesenhahn		
D452,933 S	*	1/2002	Friesenhahn	D28/8.1
D474,857 S	*	5/2003	McLeish	D28/8.1
D485,643 S	*	1/2004	McLeish	D28/8.1
D486,733 S	*	2/2004	Murning et al.	D9/432
D490,184 S	*	5/2004	McLeish	D28/8.1
D505,516 S	*	5/2005	McLeish	D28/8.1
D524,478 S		7/2006	McLeish		
D524,479 S		7/2006	Bourgoin et al.		
2003/0040453 A1		2/2003	Hinton		
2003/0119707 A1		6/2003	Kosub et al.		

FOREIGN PATENT DOCUMENTS

EMOAMI 000071725-
0002 12/2003

* cited by examiner

Primary Examiner—Charles A. Rademaker

(74) *Attorney, Agent, or Firm*—Norris McLaughlin & Marcus, PA

(57) **CLAIM**

The ornamental design for a tablet, as shown and described.

DESCRIPTION

FIG. 1 is a top and front perspective view of a tablet showing my new design in black and white to aid the understanding of the design when viewed in an electronic environment;

FIG. 2 is a bottom plan view thereof;

FIG. 3 is a top plan view thereof;

FIG. 4 is a left side elevation thereof;

FIG. 5 is a rear elevation thereof;

FIG. 6 is a top and front perspective view thereof showing the design in color;

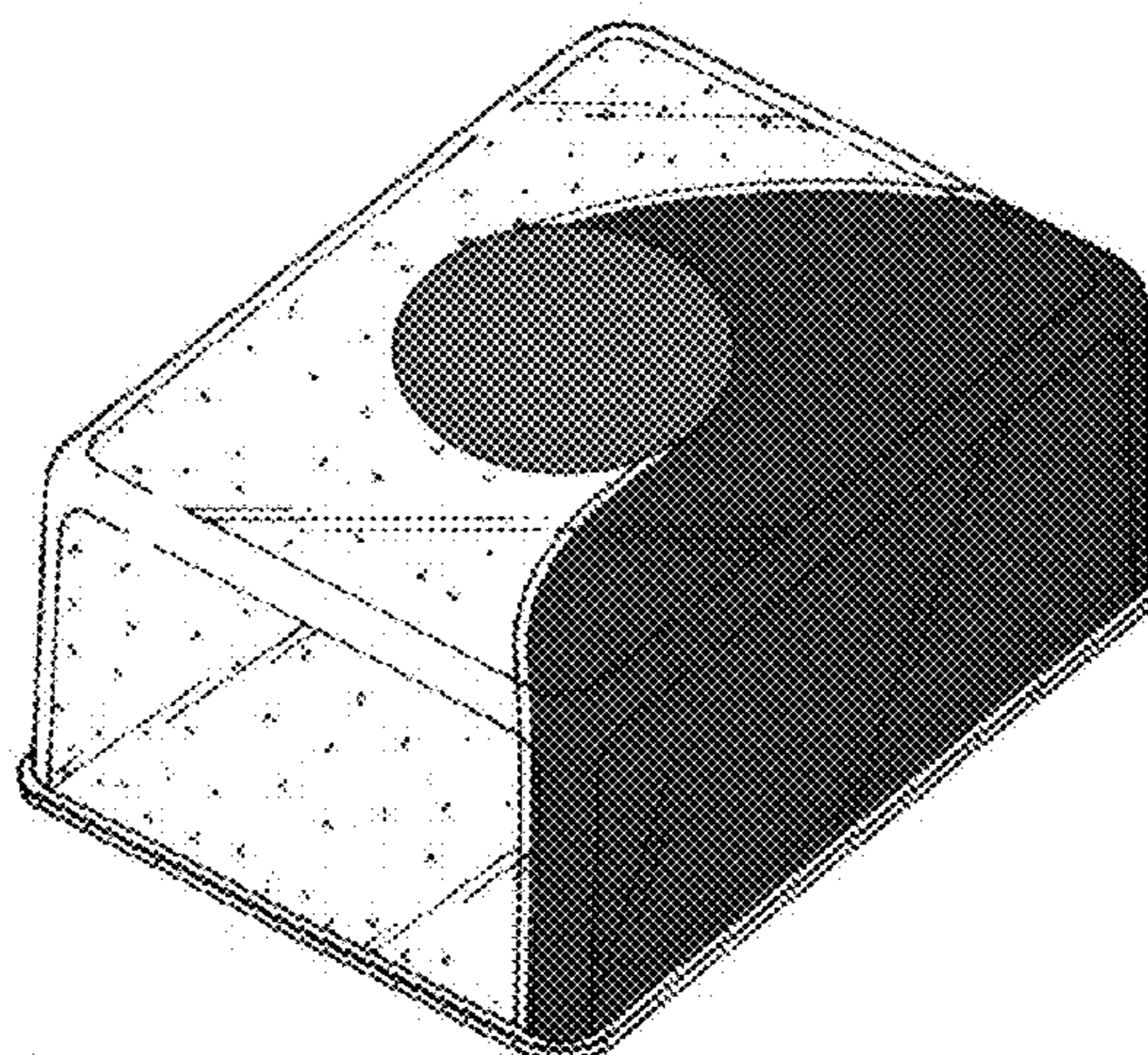
FIG. 7 is a bottom plan view thereof;

FIG. 8 is a top plan view thereof;

FIG. 9 is a left side elevation thereof; and,

FIG. 10 is a rear elevation thereof.

1 Claim, 2 Drawing Sheets



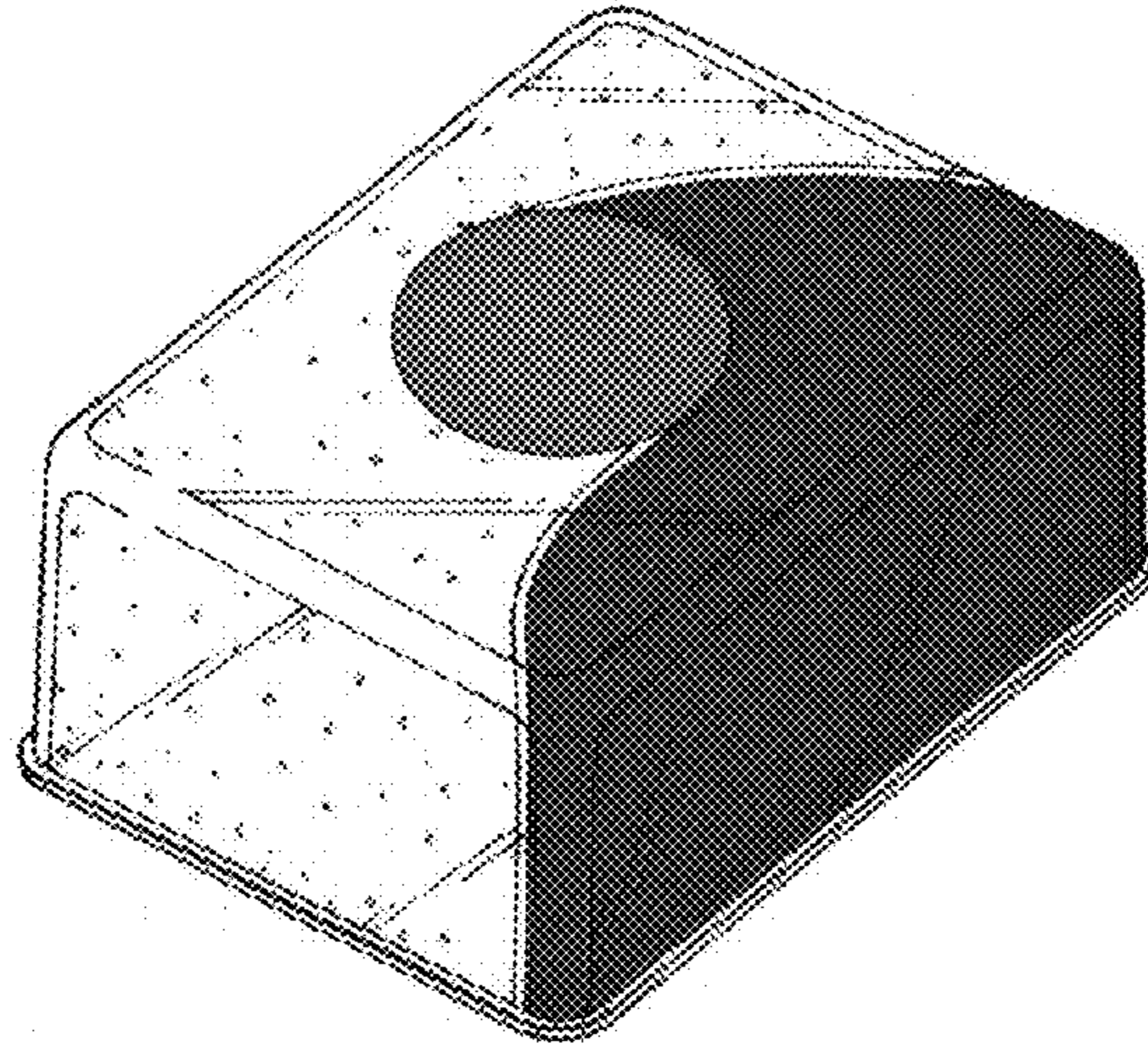


Fig.1.

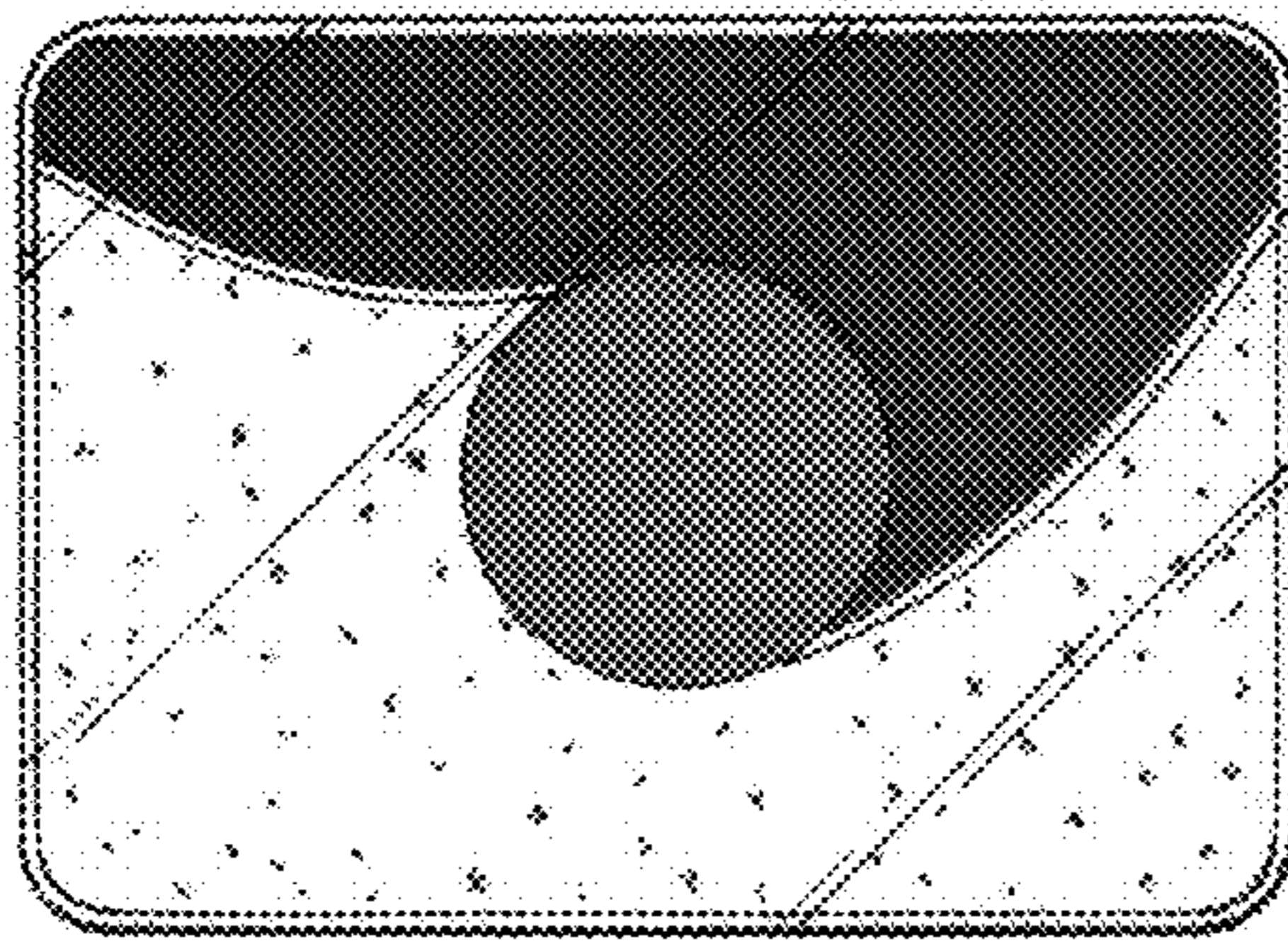


Fig.2.

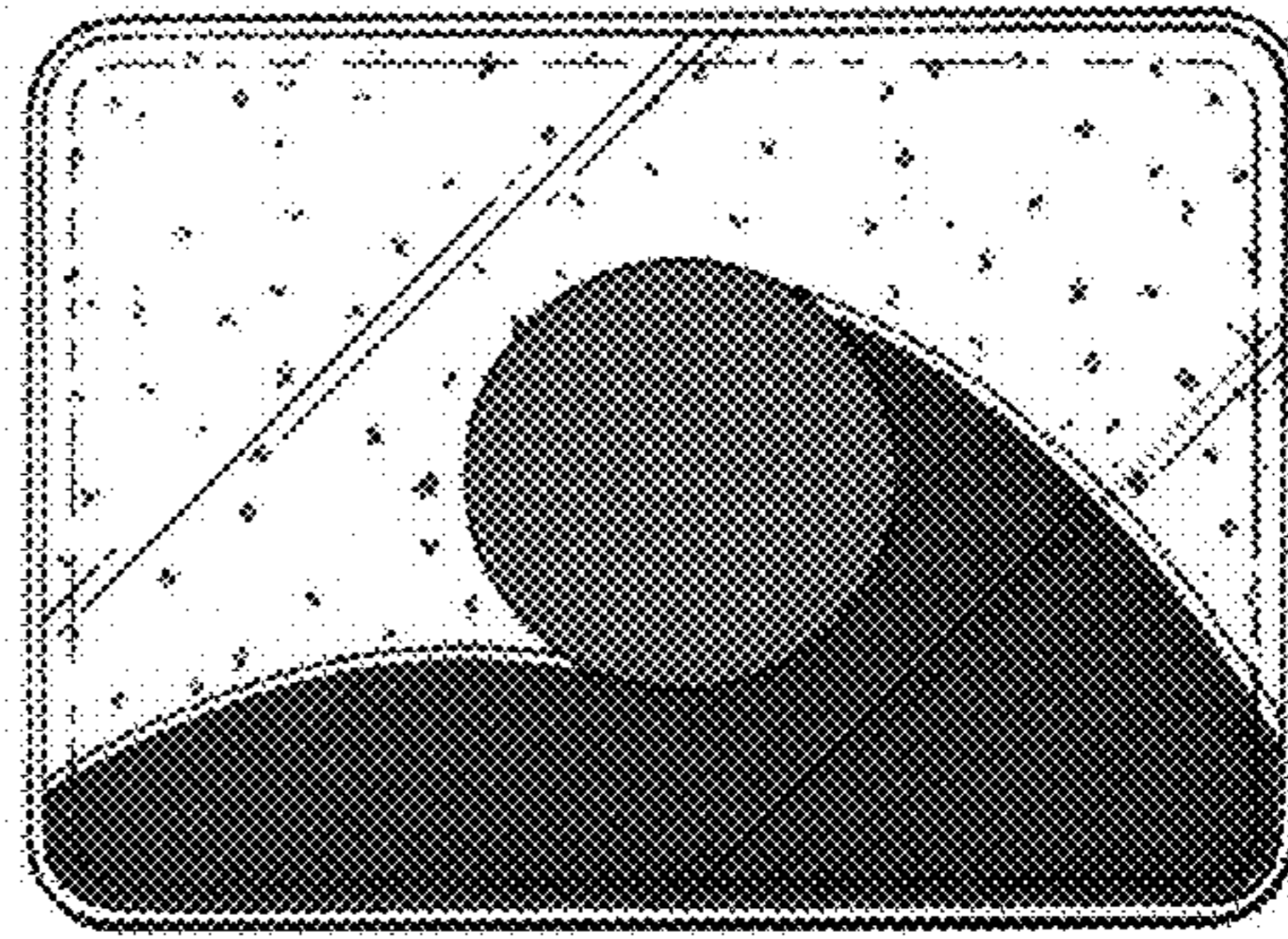


Fig.3.



Fig.4.

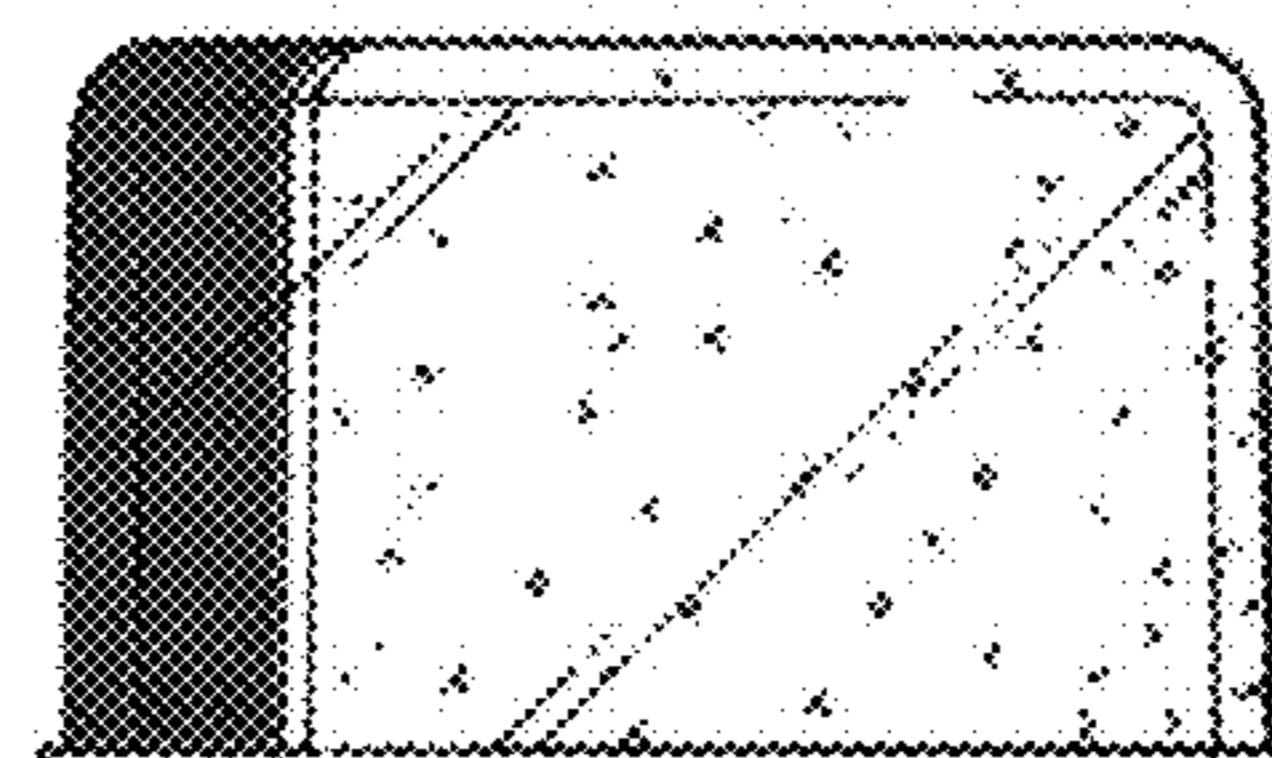


Fig.5.

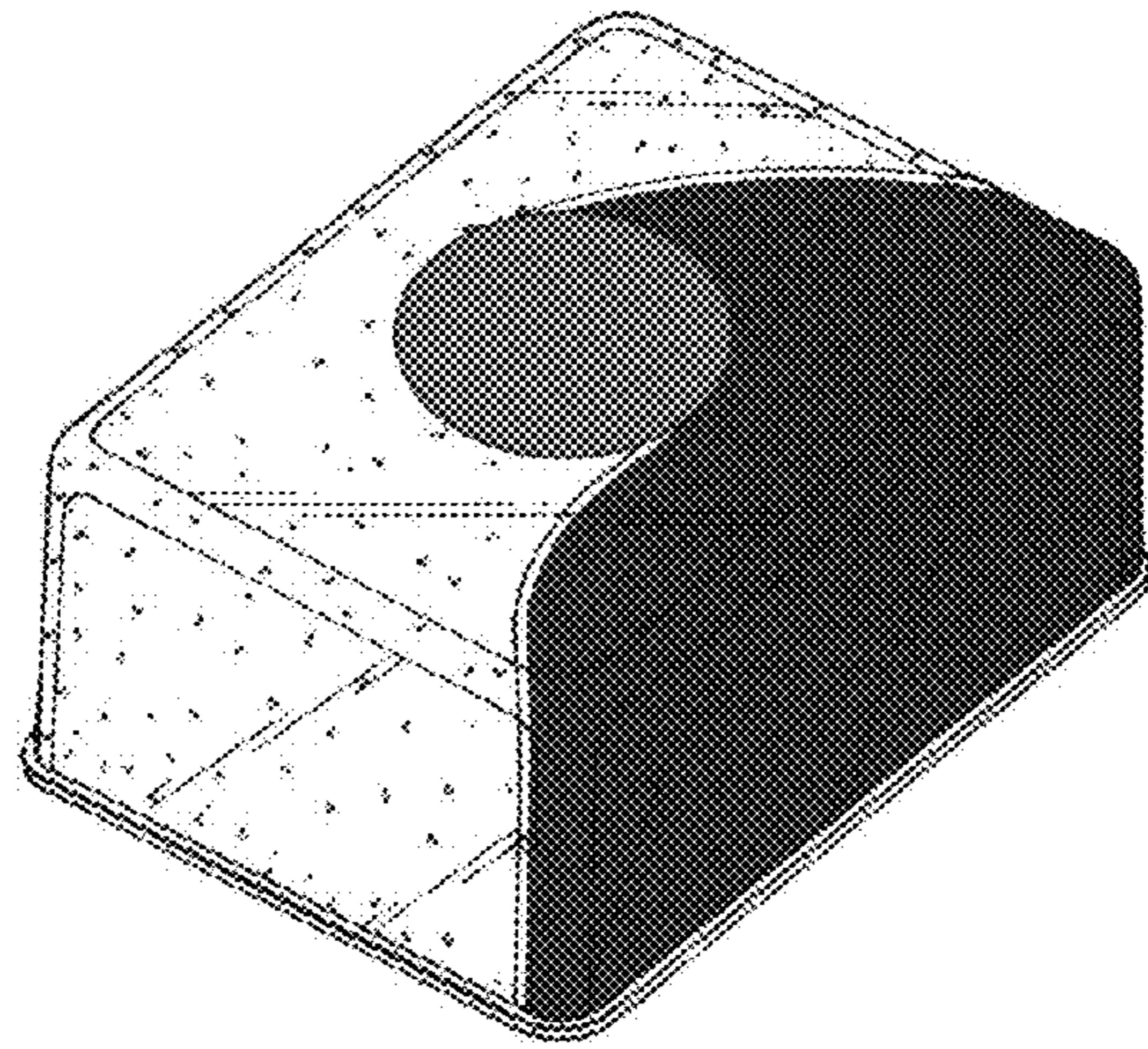


Fig.6.

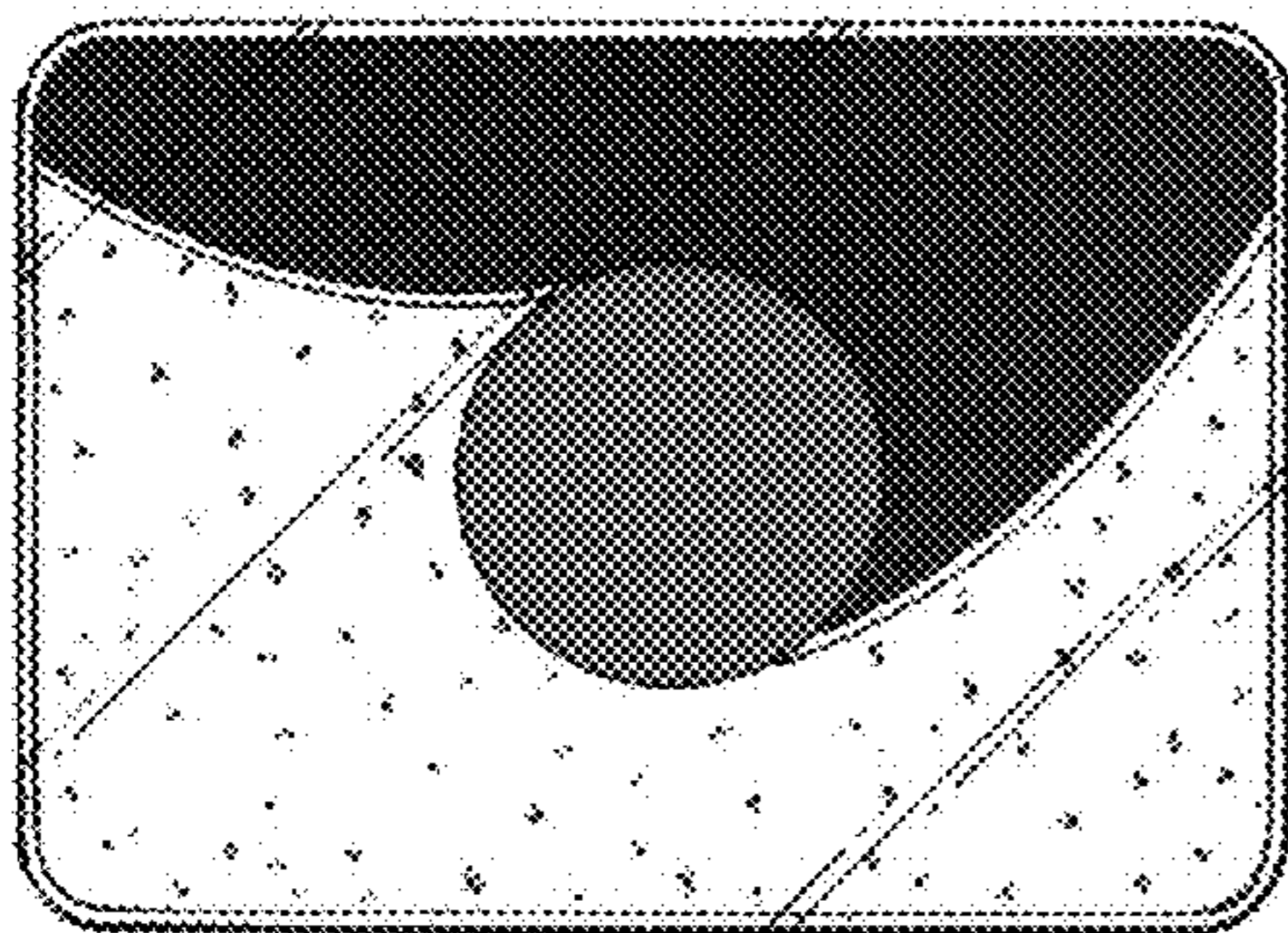


Fig.7.

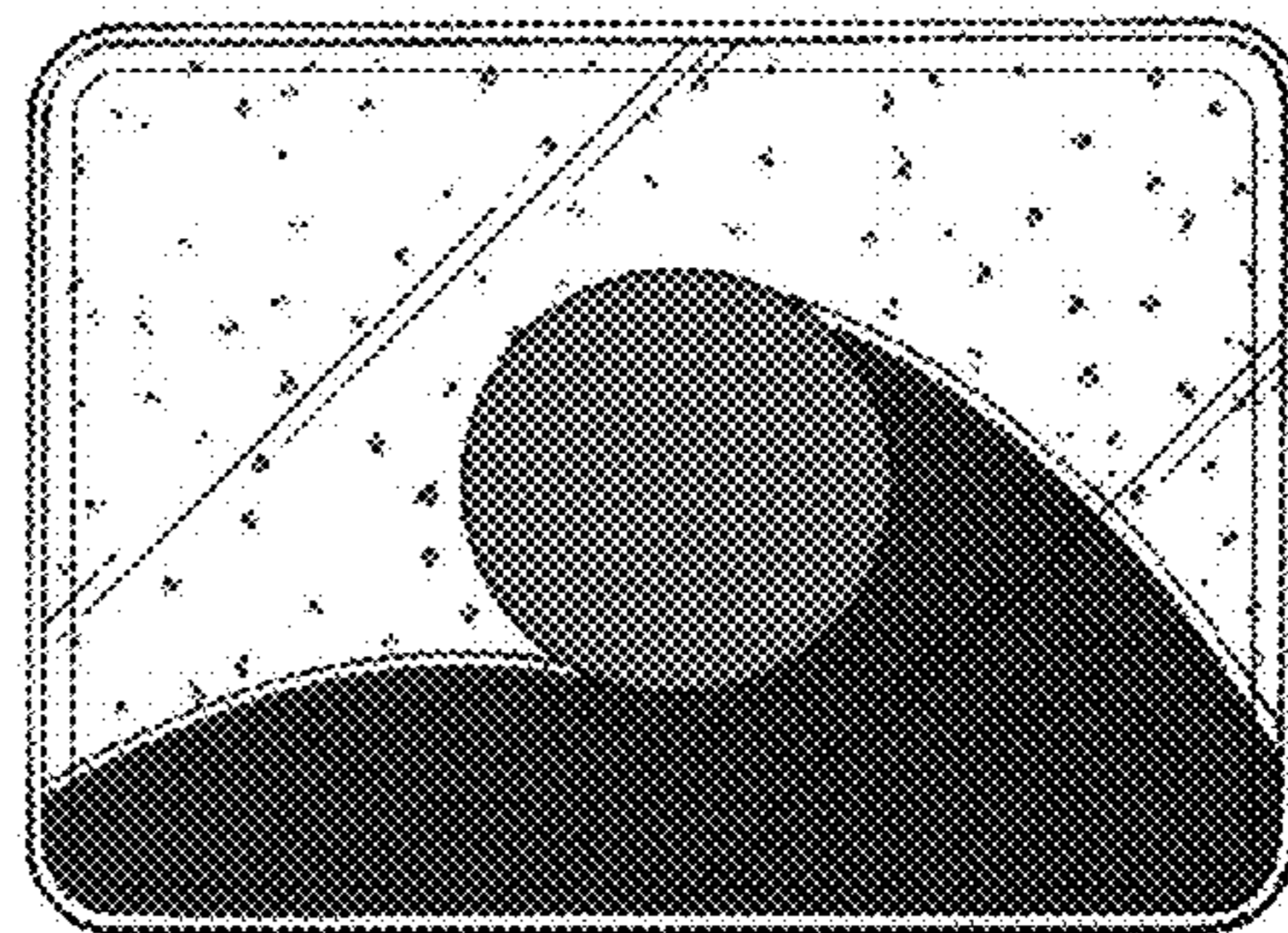


Fig.8.

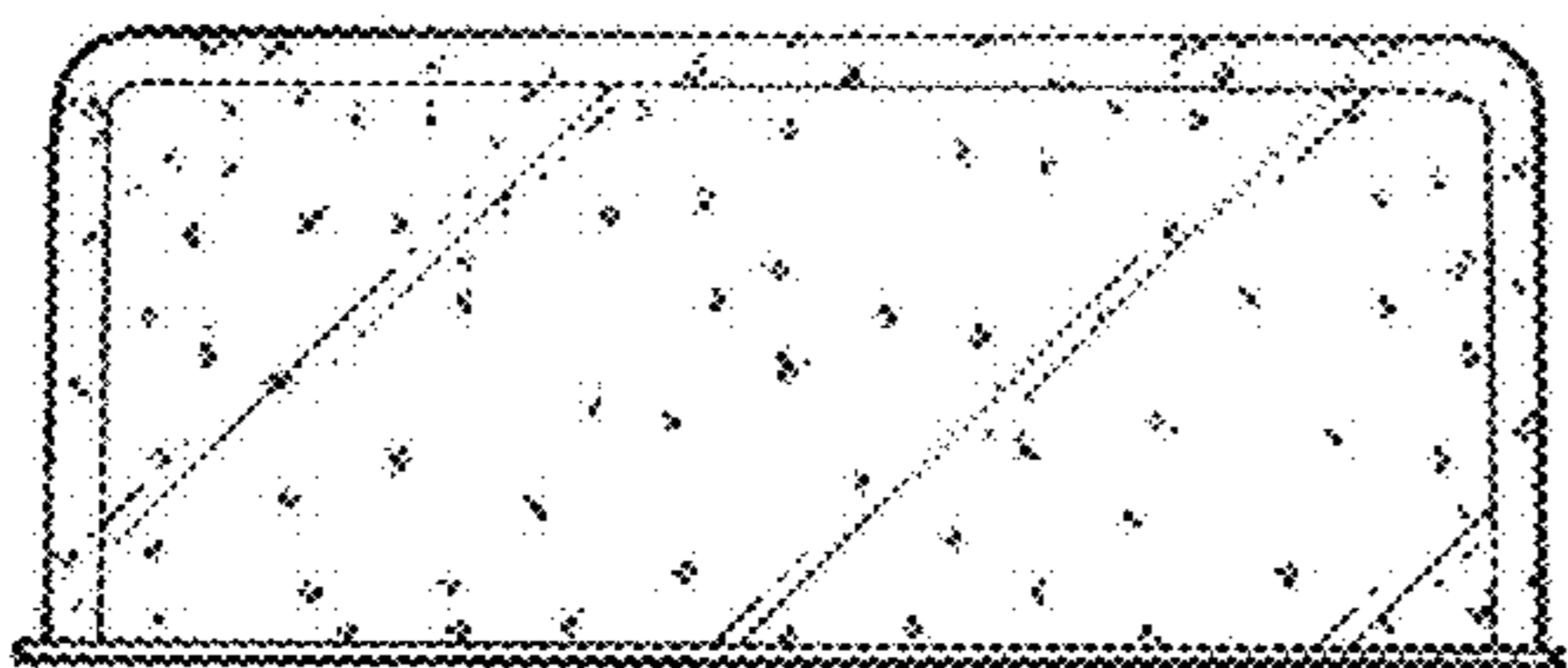


Fig.9.

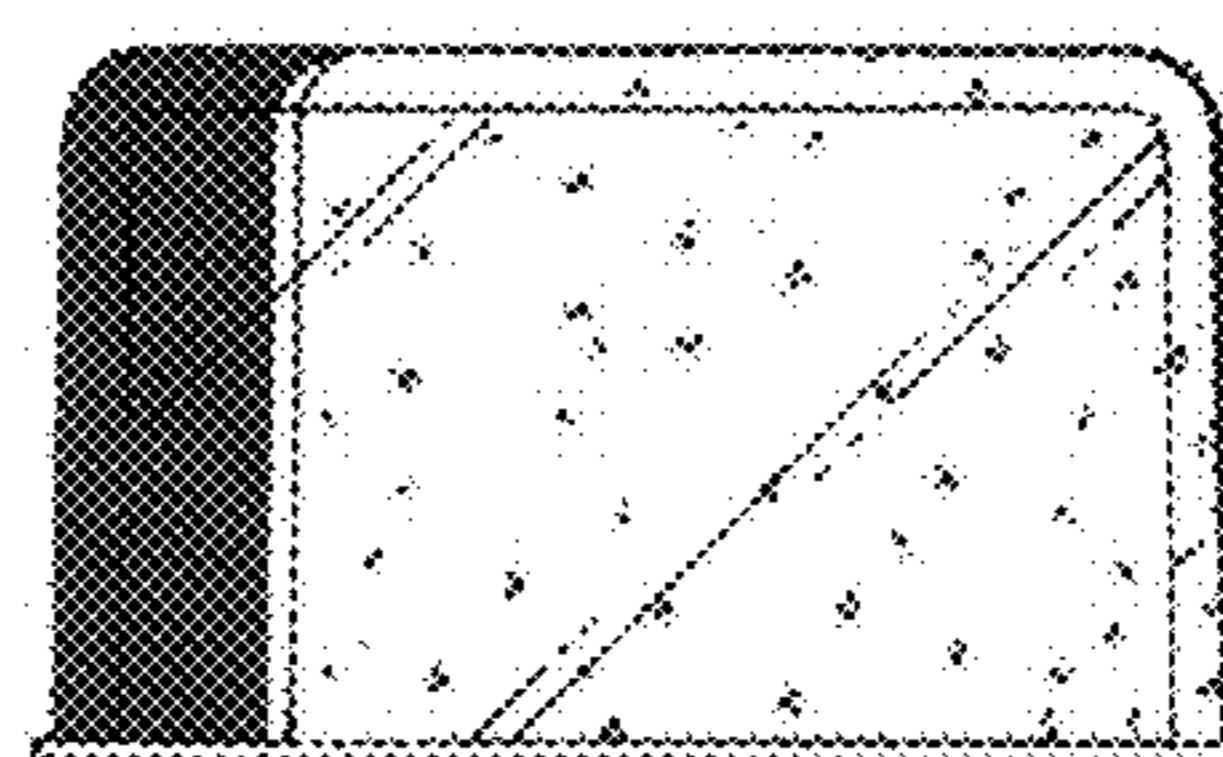


Fig.10.