

US00D562494S

(12) **United States Design Patent**  
**Piegras**

(10) **Patent No.:** **US D562,494 S**

(45) **Date of Patent:** **\*\* Feb. 19, 2008**

(54) **OPTICAL COMPONENT**

(75) **Inventor:** **Colin Piegras**, Swampscott, MA (US)

(73) **Assignee:** **Philips Solid-State Lighting Solutions**,  
Burlington, MA (US)

(\*\*) **Term:** **14 Years**

(21) **Appl. No.:** **29/278,015**

(22) **Filed:** **Mar. 16, 2007**

**Related U.S. Application Data**

(63) Continuation of application No. 11/419,995, filed on  
May 23, 2006.

(51) **LOC (8) Cl.** ..... **26-99**

(52) **U.S. Cl.** ..... **D26/123**

(58) **Field of Classification Search** ..... D26/139,  
D26/142, 152, 77, 76, 37, 123, 128, 120,  
D26/118, 113, 138, 3, 28, 72, 124, 121, 122,  
D26/75, 79, 90, 105; D13/180; 362/614,  
362/611, 612, 632, 555, 516, 147, 148, 216,  
362/217, 260, 291, 296, 297, 341, 346, 404,  
362/407, 431, 800

See application file for complete search history.

(56) **References Cited**

**U.S. PATENT DOCUMENTS**

- 4,290,096 A 9/1981 Szpur
- 4,507,719 A 3/1985 Quiogue
- 5,278,432 A 1/1994 Ignatius et al.
- 5,548,499 A 8/1996 Zadeh
- 5,690,424 A 11/1997 Warshauer et al.
- 5,738,436 A 4/1998 Cummings et al.
- 5,785,418 A 7/1998 Hochstein
- 5,842,775 A 12/1998 Roorda et al.
- 6,009,650 A 1/2000 Lamparter
- 6,016,038 A 1/2000 Mueller et al.
- 6,045,240 A 4/2000 Hochstein
- 6,059,421 A 5/2000 White et al.
- 6,078,257 A 6/2000 Ferraro
- 6,150,774 A 11/2000 Mueller et al.

- 6,166,496 A 12/2000 Lys et al.
- 6,211,626 B1 4/2001 Lys et al.
- 6,220,722 B1 4/2001 Begemann
- 6,292,901 B1 9/2001 Lys et al.
- 6,340,868 B1 1/2002 Lys et al.
- 6,367,949 B1 \* 4/2002 Pederson ..... 362/240
- 6,450,661 B1 9/2002 Okumura
- 6,459,919 B1 10/2002 Lys et al.
- D468,051 S \* 12/2002 Gaskins et al. .... D26/123
- D470,613 S \* 2/2003 Huang ..... D26/28
- D470,970 S \* 2/2003 Huang ..... D26/123
- D471,657 S \* 3/2003 Huang ..... D26/28
- 6,528,954 B1 3/2003 Lys et al.
- 6,548,967 B1 4/2003 Dowling et al.
- D474,559 S \* 5/2003 Huang ..... D26/123
- 6,561,689 B1 5/2003 Kidd et al.
- 6,568,826 B1 5/2003 Kotovsky
- 6,577,080 B2 6/2003 Lys et al.
- 6,578,986 B2 6/2003 Swaris et al.

(Continued)

**FOREIGN PATENT DOCUMENTS**

JP 05012912 A 1/1993

*Primary Examiner*—Freda S. Nunn

*Assistant Examiner*—Kevin K Rudzinski

(74) *Attorney, Agent, or Firm*—Wolf, Greenfield & Sacks,  
P.C.

(57) **CLAIM**

The ornamental design for an optical component, as shown  
and described.

**DESCRIPTION**

FIG. 1 is a top perspective view of an optical component  
design;

FIG. 2 is a bottom perspective view thereof;

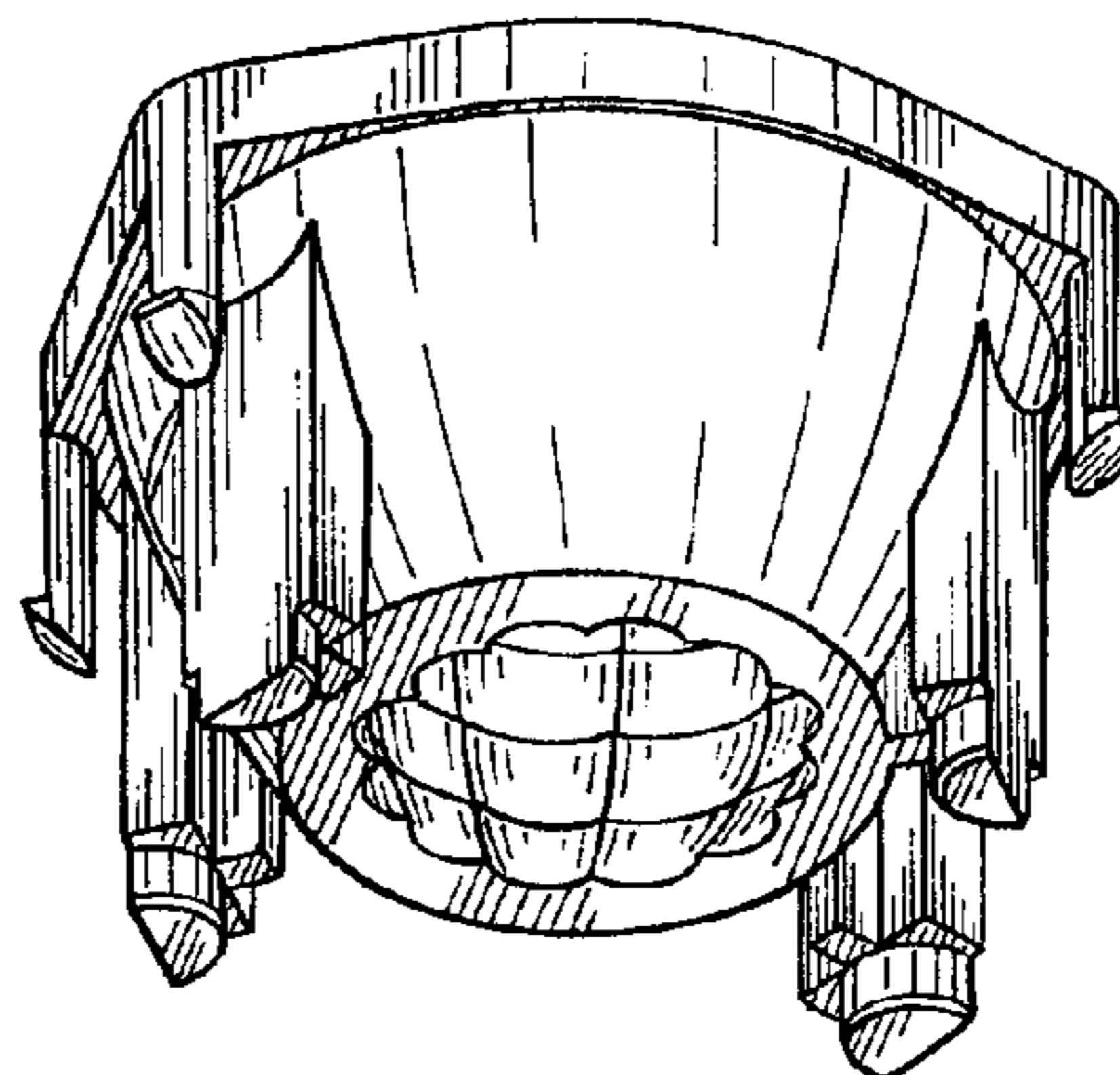
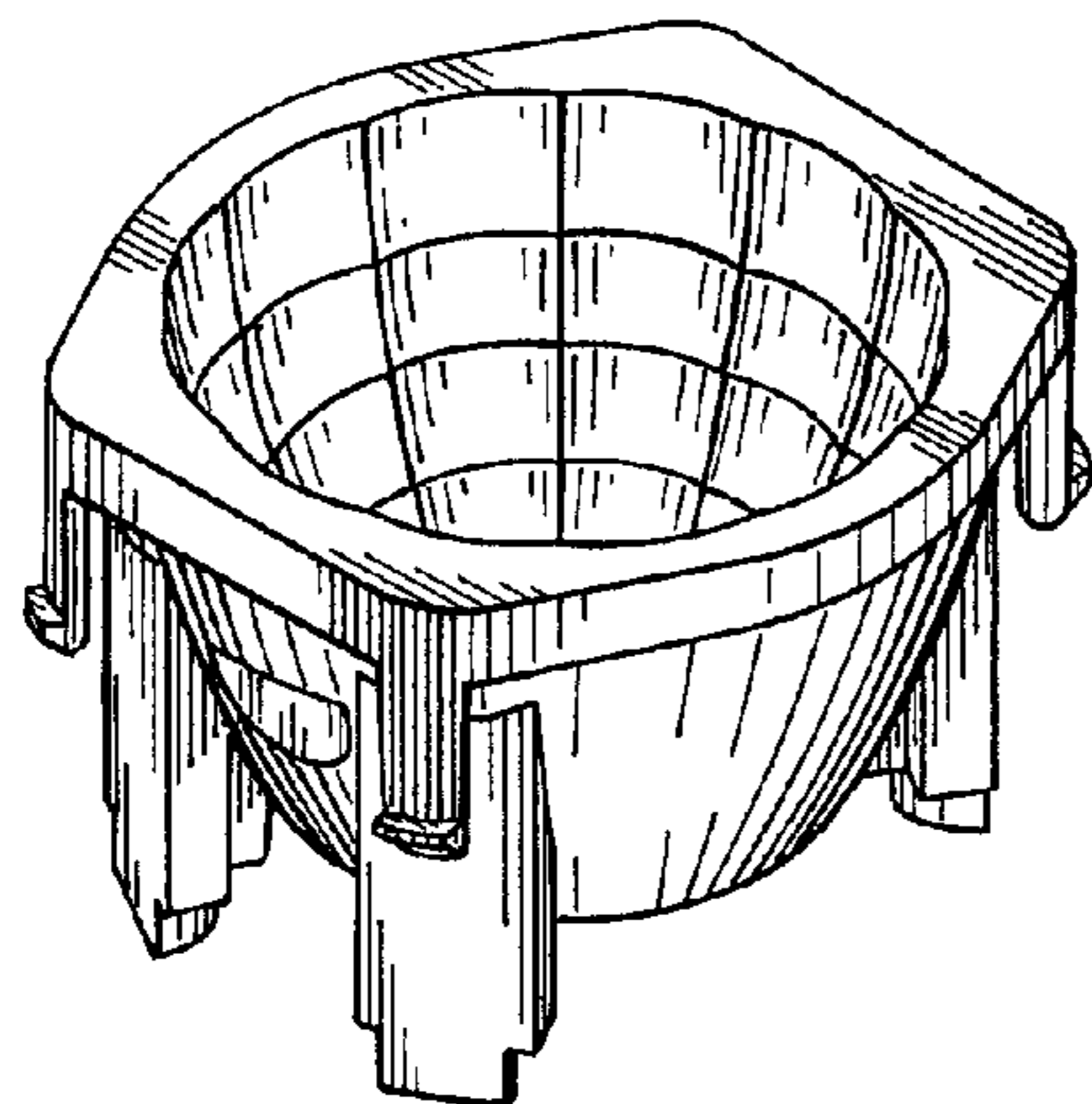
FIG. 3 is a first side view thereof;

FIG. 4 is a second side view thereof;

FIG. 5 is a top view thereof; and,

FIG. 6 is a bottom view thereof.

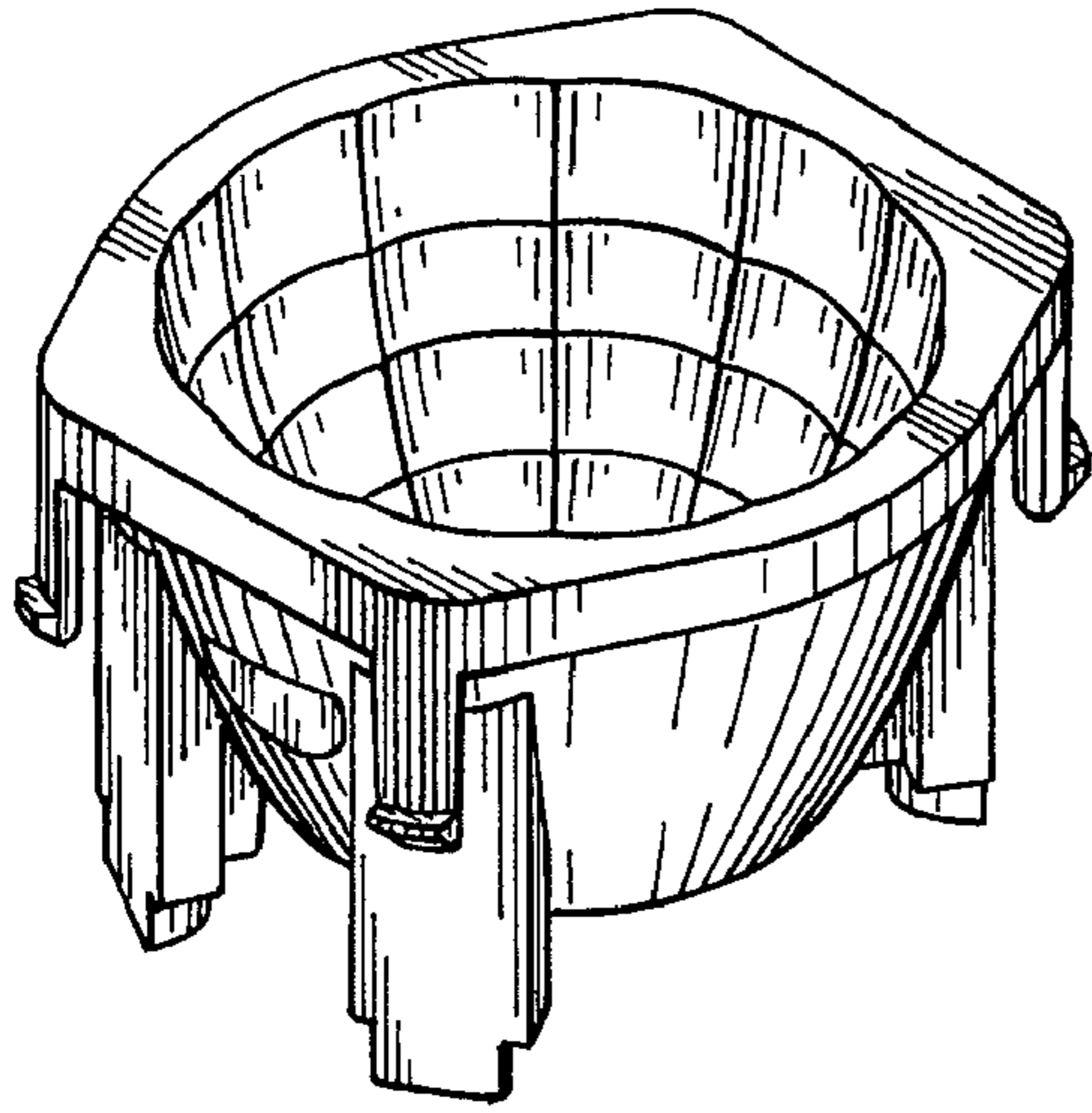
**1 Claim, 1 Drawing Sheet**



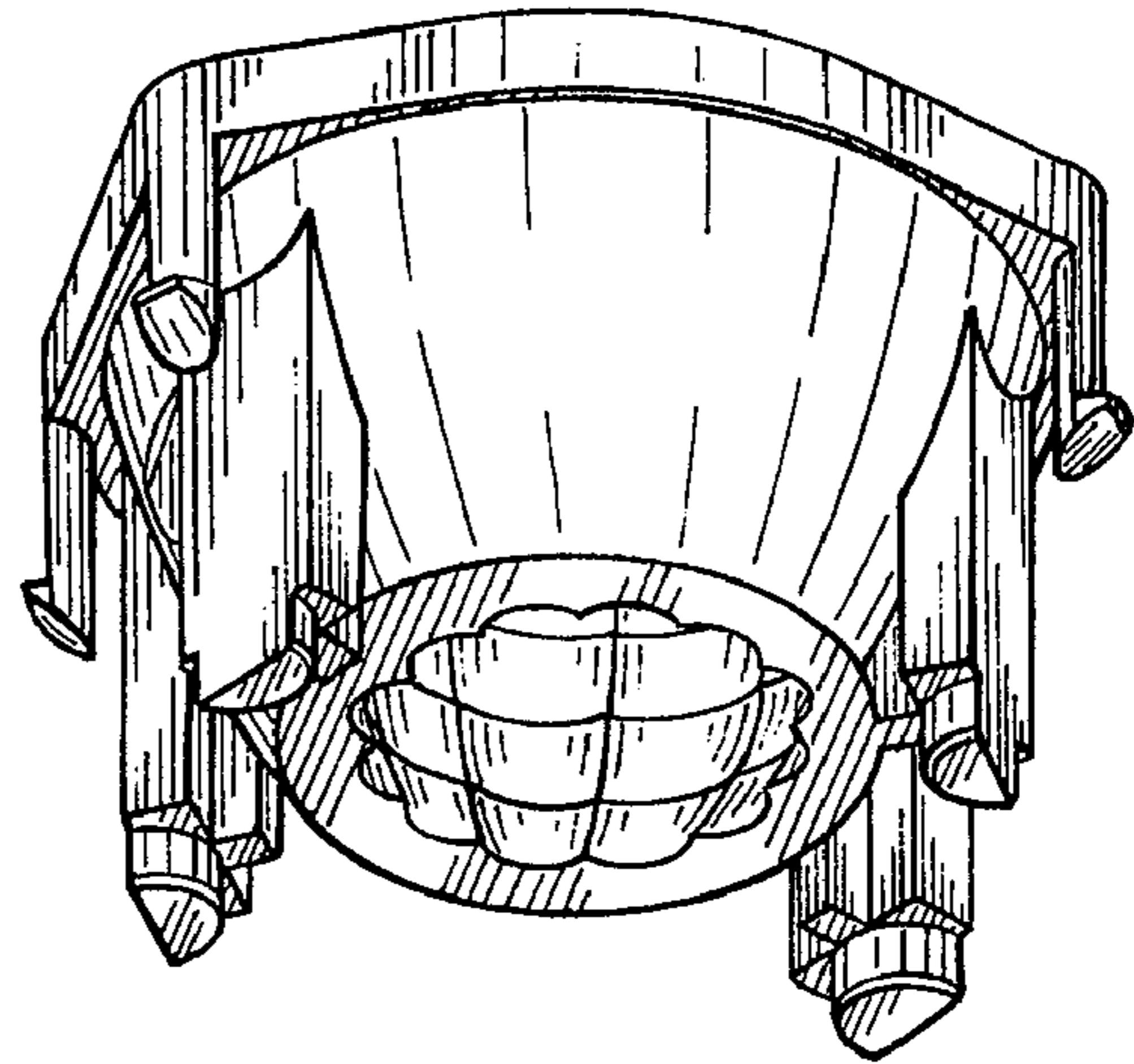
# US D562,494 S

U.S. PATENT DOCUMENTS							
6,608,453	B2	8/2003	Morgan et al.	2004/0027832	A1	2/2004	Hyder
6,624,597	B2	9/2003	Dowling et al.	2004/0036006	A1	2/2004	Dowling
6,712,486	B1	3/2004	Popovich et al.	2004/0052076	A1	3/2004	Mueller et al.
6,717,376	B2	4/2004	Lys et al.	2004/0090191	A1	5/2004	Mueller et al.
6,720,745	B2	4/2004	Mueller et al.	2004/0090787	A1	5/2004	Dowling et al.
6,774,584	B2	8/2004	Lys et al.	2004/0105261	A1	6/2004	Ducharme et al.
6,777,891	B2	8/2004	Lys et al.	2004/0105264	A1	6/2004	Spero
6,781,329	B2	8/2004	Morgan et al.	2004/0116039	A1	6/2004	Mueller et al.
6,787,999	B2	9/2004	Stimac et al.	2004/0120148	A1	6/2004	Morris et al.
6,788,011	B2	9/2004	Mueller et al.	2004/0130909	A1	7/2004	Mueller et al.
6,801,003	B2	10/2004	Schanberger et al.	2004/0178751	A1	9/2004	Mueller et al.
6,806,659	B1	10/2004	Mueller et al.	2004/0212320	A1	10/2004	Dowling et al.
6,822,269	B2 *	11/2004	Horiuchi et al. .... 257/99	2004/0212993	A1	10/2004	Morgan et al.
6,840,654	B2 *	1/2005	Guerrieri et al. .... 362/241	2004/0228124	A1	11/2004	Reiff et al.
6,851,831	B2	2/2005	Karlicek, Jr.	2005/0099824	A1	5/2005	Dowling et al.
6,864,513	B2	3/2005	Lin et al.	2005/0111231	A1	5/2005	Crodian et al.
6,869,204	B2	3/2005	Morgan et al.	2005/0116667	A1	6/2005	Mueller et al.
6,880,956	B2	4/2005	Zhang	2005/0151489	A1	7/2005	Lys et al.
6,883,929	B2	4/2005	Dowling	2005/0169002	A1	8/2005	Steen et al.
6,888,322	B2	5/2005	Dowling et al.	2005/0195602	A1	9/2005	Pan
6,897,624	B2	5/2005	Ducharme et al.	2005/0213352	A1	9/2005	Lys et al.
6,936,978	B2	8/2005	Morgan et al.	2005/0213353	A1	9/2005	Lys
6,953,264	B2 *	10/2005	Ter-Hovhannisian ..... 362/241	2005/0218838	A1	10/2005	Lys
6,965,205	B2	11/2005	Piepgras et al.	2005/0218870	A1	10/2005	Lys
6,967,448	B2	11/2005	Morgan et al.	2005/0219872	A1	10/2005	Lys
6,969,954	B2	11/2005	Lys	2005/0225976	A1	10/2005	Zampini et al.
6,974,233	B1	12/2005	Aubrey	2005/0231133	A1	10/2005	Lys
6,974,234	B2	12/2005	Galli	2005/0236029	A1	10/2005	Dowling
6,975,079	B2	12/2005	Lys et al.	2005/0236998	A1	10/2005	Mueller
7,031,920	B2	4/2006	Dowling et al.	2005/0237746	A1	10/2005	Yiu
7,038,398	B1	5/2006	Lys et al.	2005/0253533	A1	11/2005	Lys et al.
7,038,399	B2	5/2006	Lys et al.	2005/0275626	A1	12/2005	Mueller
7,042,172	B2	5/2006	Dowling et al.	2005/0276053	A1	12/2005	Nortrup
7,055,994	B2	6/2006	Martin	2006/0002110	A1	1/2006	Dowling
7,113,541	B1	9/2006	Lys et al.	2006/0012987	A9	1/2006	Ducharme
2002/0038157	A1	3/2002	Dowling et al.	2006/0016960	A1	1/2006	Morgan
2002/0048169	A1	4/2002	Dowling et al.	2006/0022214	A1	2/2006	Morgan
2002/0070688	A1	6/2002	Dowling et al.	2006/0050509	A9	3/2006	Dowling
2002/0074559	A1	6/2002	Dowling et al.	2006/0076908	A1	4/2006	Morgan
2002/0078221	A1	6/2002	Blackwell et al.	2006/0098077	A1	5/2006	Dowling
2002/0130627	A1	9/2002	Dowling et al.	2006/0098438	A1	5/2006	Ouderkirk et al.
2002/0145394	A1	10/2002	Morgan et al.	2006/0104058	A1	5/2006	Chemel et al.
2002/0145869	A1	10/2002	Dowling	2006/0109649	A1	5/2006	Ducharme et al.
2002/0152045	A1	10/2002	Dowling et al.	2006/0132061	A1	6/2006	McCormick et al.
2002/0158583	A1	10/2002	Lys et al.	2006/0152172	A9	7/2006	Mueller
2002/0176259	A1	11/2002	Ducharme	2006/0158881	A1	7/2006	Dowling
2003/0011538	A1	1/2003	Lys et al.	2006/0198128	A1	9/2006	Piepgras et al.
2003/0028260	A1	2/2003	Blackwell	2006/0208667	A1	9/2006	Lys
2003/0053310	A1	3/2003	Sommers	2006/0262516	A9	11/2006	Peipgrad
2003/0057884	A1	3/2003	Dowling et al.	2006/0262521	A1	11/2006	Piepgras
2003/0057887	A1	3/2003	Dowling et al.	2006/0262544	A1	11/2006	Piepgras
2003/0076281	A1	4/2003	Morgan et al.	2006/0262545	A1	11/2006	Piepgras
2003/0100837	A1	5/2003	Lys et al.	2006/0273741	A1	12/2006	Stalker, III
2003/0133292	A1	7/2003	Mueller et al.	2006/0285325	A1	12/2006	Ducharme et al.
2003/0222587	A1	12/2003	Dowling et al.				

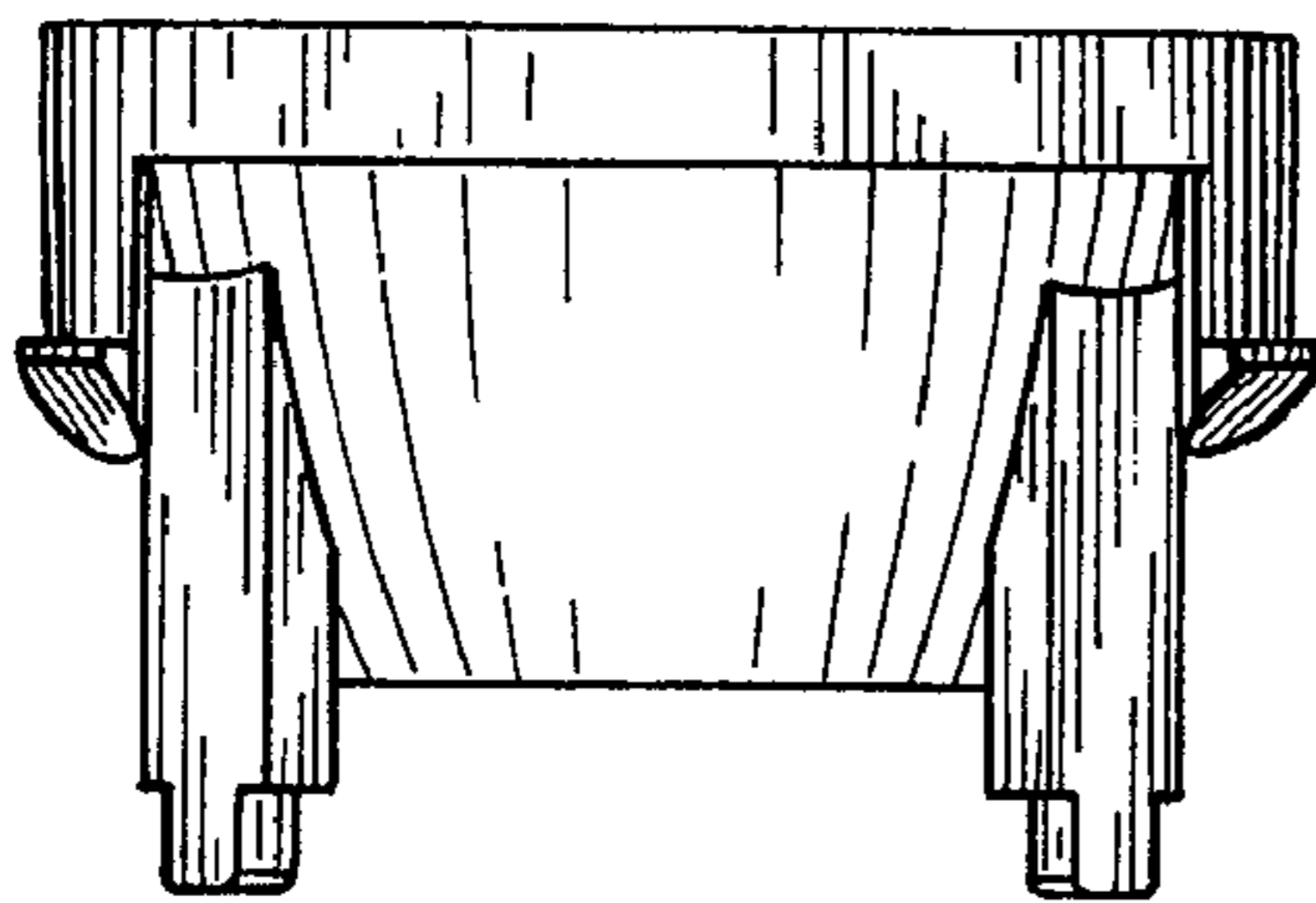
\* cited by examiner



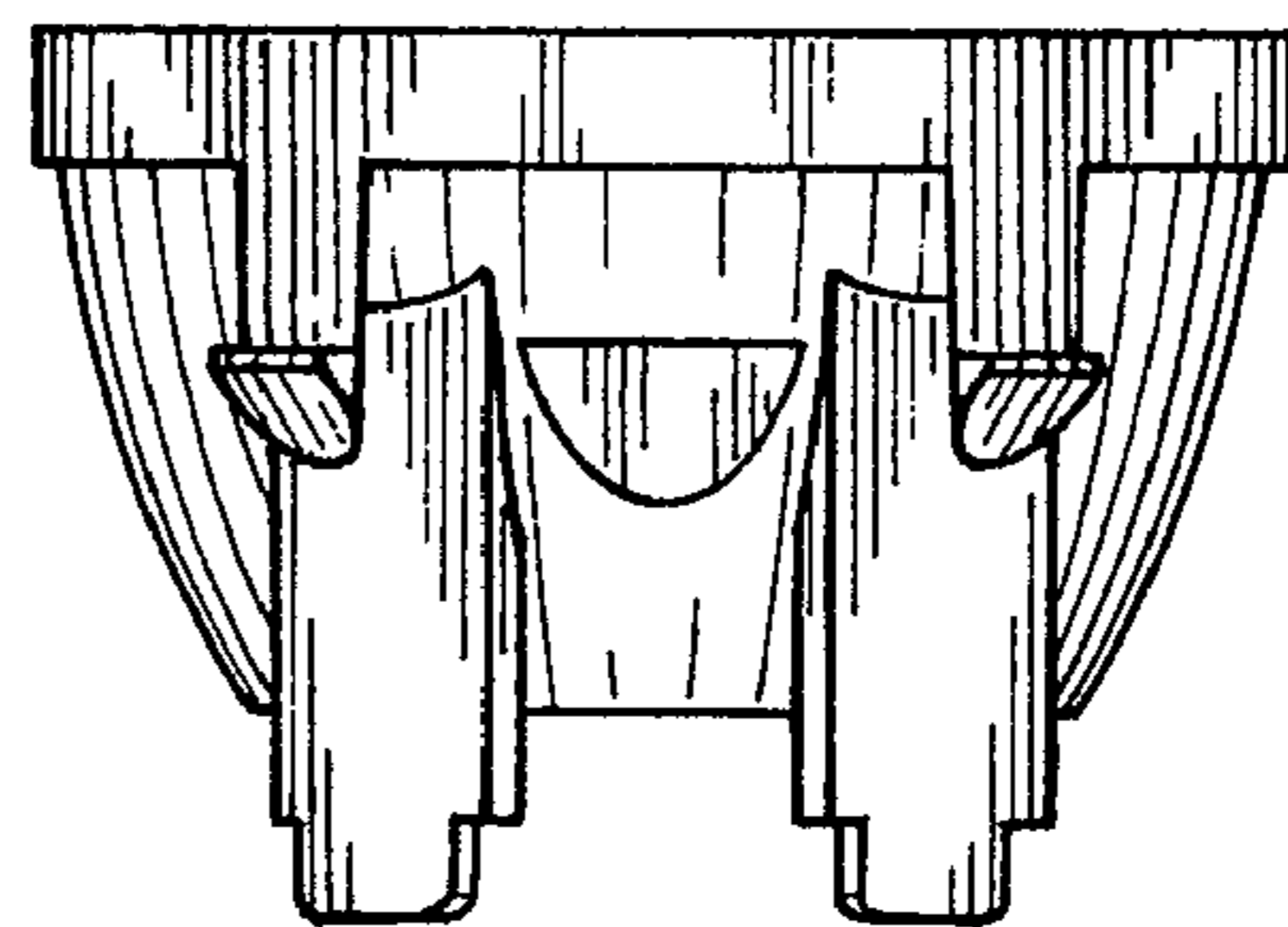
*Fig. 1*



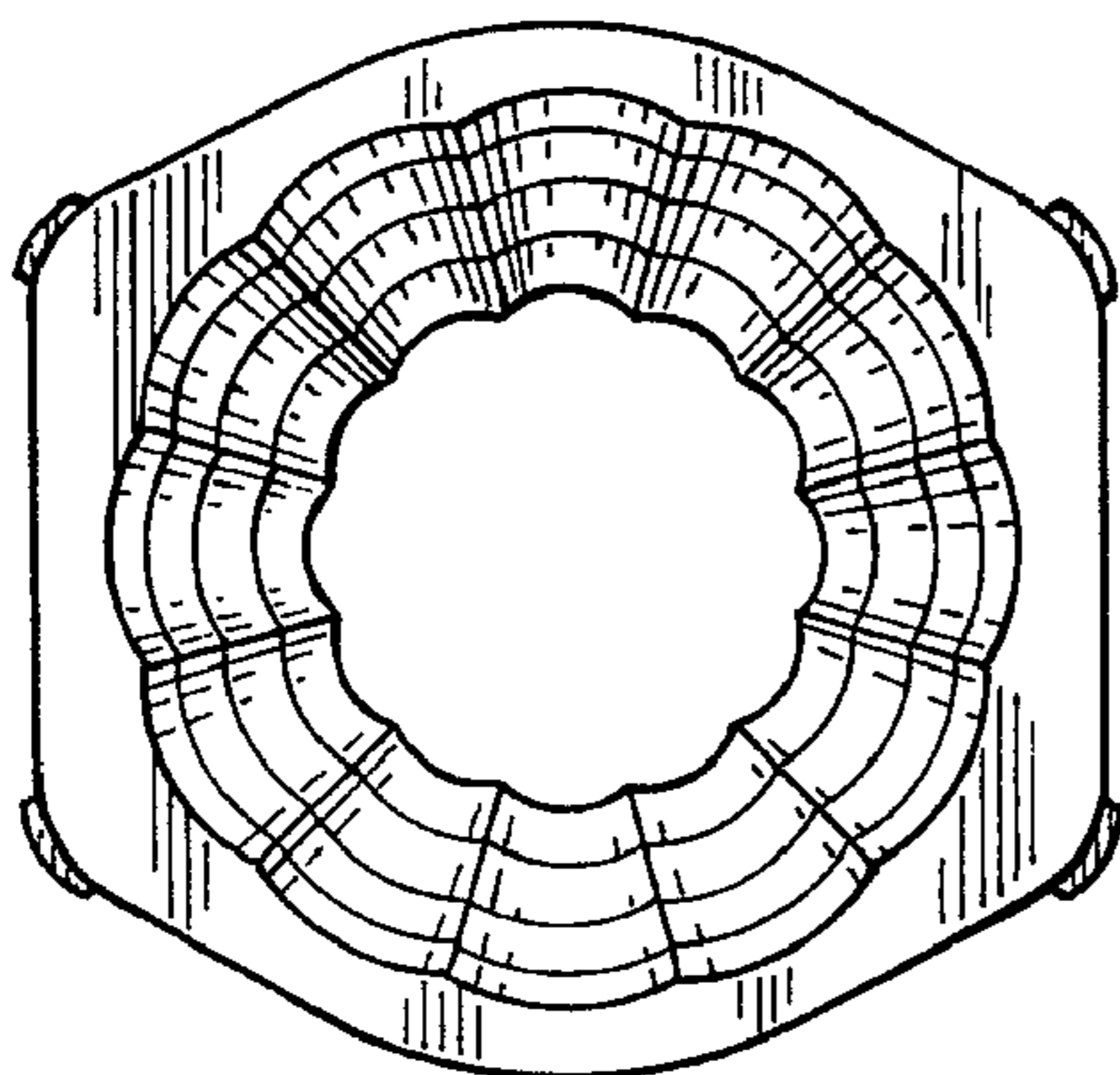
*Fig. 2*



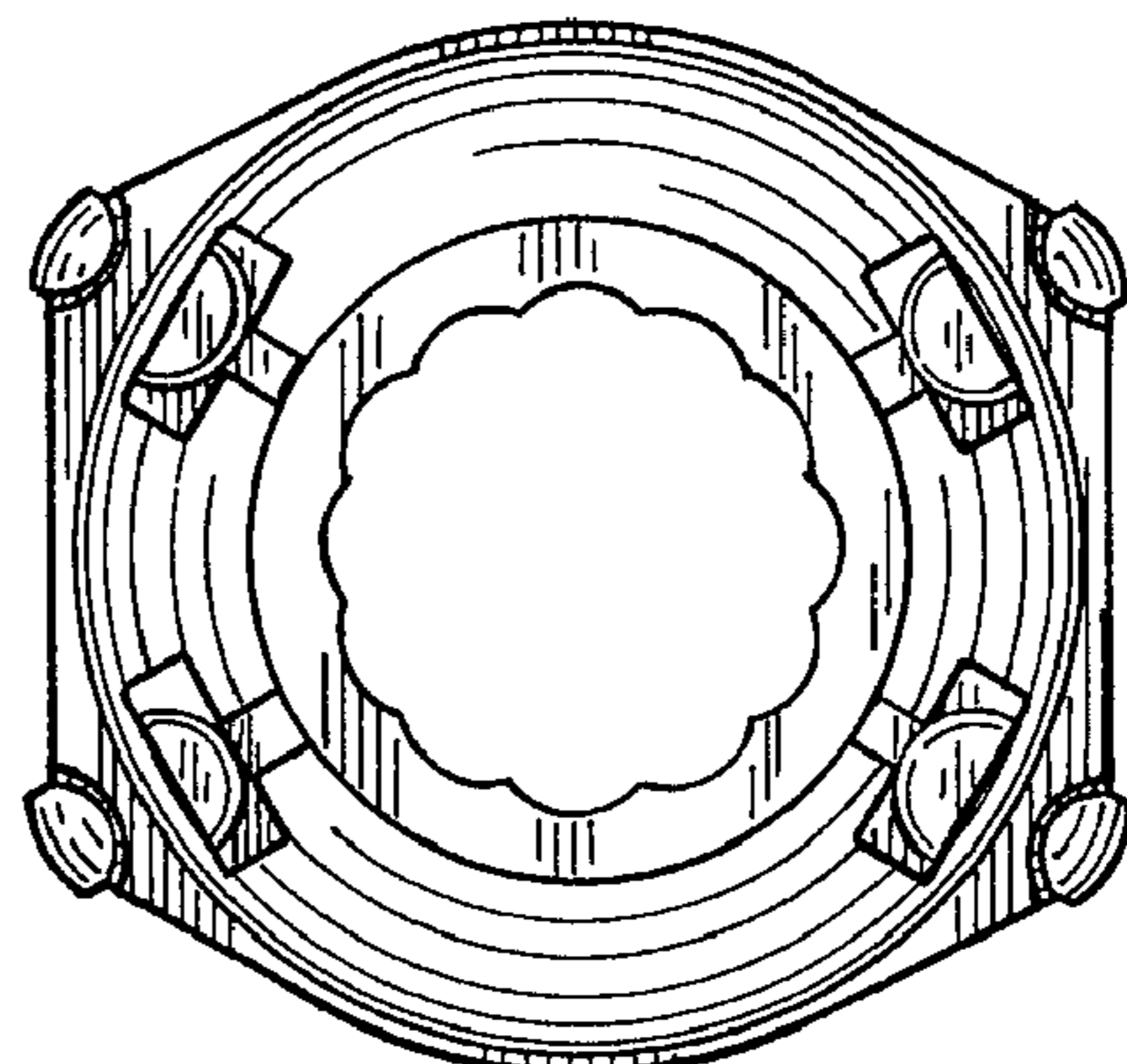
*Fig. 3*



*Fig. 4*



*Fig. 5*



*Fig. 6*

UNITED STATES PATENT AND TRADEMARK OFFICE  
**CERTIFICATE OF CORRECTION**

PATENT NO. : Des. 562,494 S  
APPLICATION NO. : 29/278015  
DATED : February 19, 2008  
INVENTOR(S) : Colin Piepgras

Page 1 of 1

It is certified that error appears in the above-identified patent and that said Letters Patent is hereby corrected as shown below:

On the Title Page, Related U.S. Application Data should read

-- (63) Continuation of application No. 11/419,995, filed on May 23, 2006, which claims benefit of 60/683,587 filed May 23, 2005, and claims benefit of 60/729,870 filed October 24, 2005, and claims benefit of 60/756,821 filed January 6, 2006, and claims benefit of 60/745,353 filed April 21, 2006 --.

Signed and Sealed this

Tenth Day of June, 2008

A handwritten signature in black ink that reads "Jon W. Dudas". The signature is written in a cursive style with a large, stylized initial "J".

JON W. DUDAS

*Director of the United States Patent and Trademark Office*