



US00D562492S

(12) **United States Design Patent**
Chen

(10) **Patent No.:** **US D562,492 S**

(45) **Date of Patent:** **** Feb. 19, 2008**

(54) **UNDERCABINET LIGHT**

(75) Inventor: **Michael Chen**, Whittier, CA (US)

(73) Assignee: **Ritelight, Inc.**, Hacienda Heights, CA (US)

(**) Term: **14 Years**

(21) Appl. No.: **29/264,701**

(22) Filed: **Aug. 16, 2006**

(51) **LOC (8) Cl.** **26-03**

(52) **U.S. Cl.** **D26/85; D26/89**

(58) **Field of Classification Search** D26/72,
D26/85-92, 37; 362/147, 431, 432, 362,
362/155-157

See application file for complete search history.

(56) **References Cited**

U.S. PATENT DOCUMENTS

1,327,017	A *	1/1920	Boltshauser	D26/37
D237,402	S *	10/1975	Leung et al.	D26/85
D343,019	S *	1/1994	Garrity	D26/37
D384,181	S *	9/1997	Borden	D26/37
D443,713	S *	6/2001	Benensohn	D26/72
D469,911	S *	2/2003	Lee	D26/85
6,848,808	B2 *	2/2005	Guerrieri	362/156

D505,739	S *	5/2005	Hajianpour	D26/37
7,192,167	B1 *	3/2007	Kuo	362/362
2006/0250789	A1 *	11/2006	Coushaine	362/157

* cited by examiner

Primary Examiner—Clare E Heflin

(74) *Attorney, Agent, or Firm*—Clement Cheng

(57) **CLAIM**

The ornamental design for an undercabinet light, as shown and described.

DESCRIPTION

FIG. 1 is a perspective view showing the bottom and front of an undercabinet light showing my new design;

FIG. 2 is a front elevational view thereof;

FIG. 3 is a rear elevational view thereof;

FIG. 4 is a left side elevational view thereof; the right side elevational view is a mirror image of the left side;

FIG. 5 is a top plan view thereof; and,

FIG. 6 is a bottom plan view thereof.

The broken lines shown on the drawings are for illustrative purpose only and form no part of the claimed design.

1 Claim, 3 Drawing Sheets

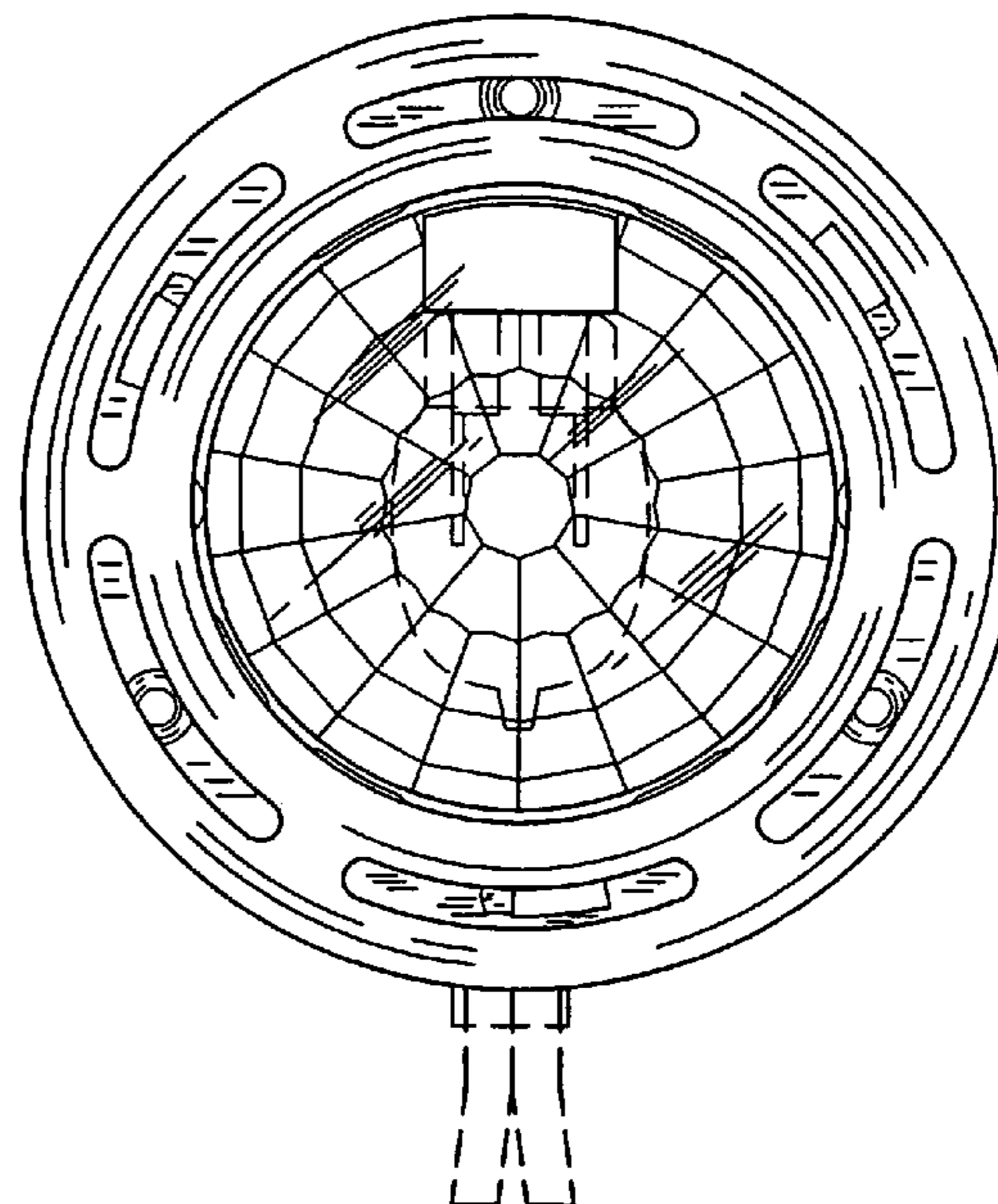
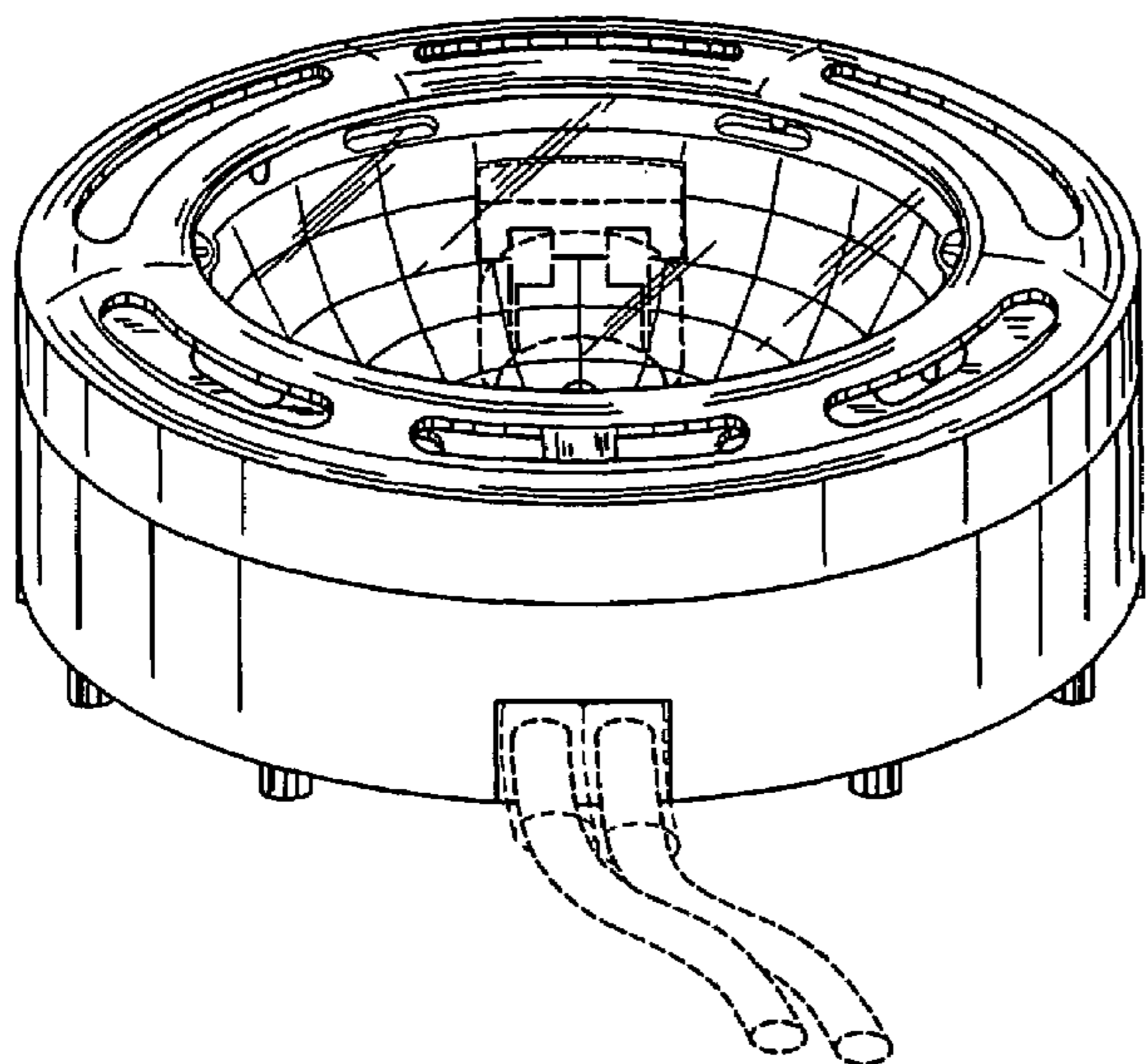


FIG. 1

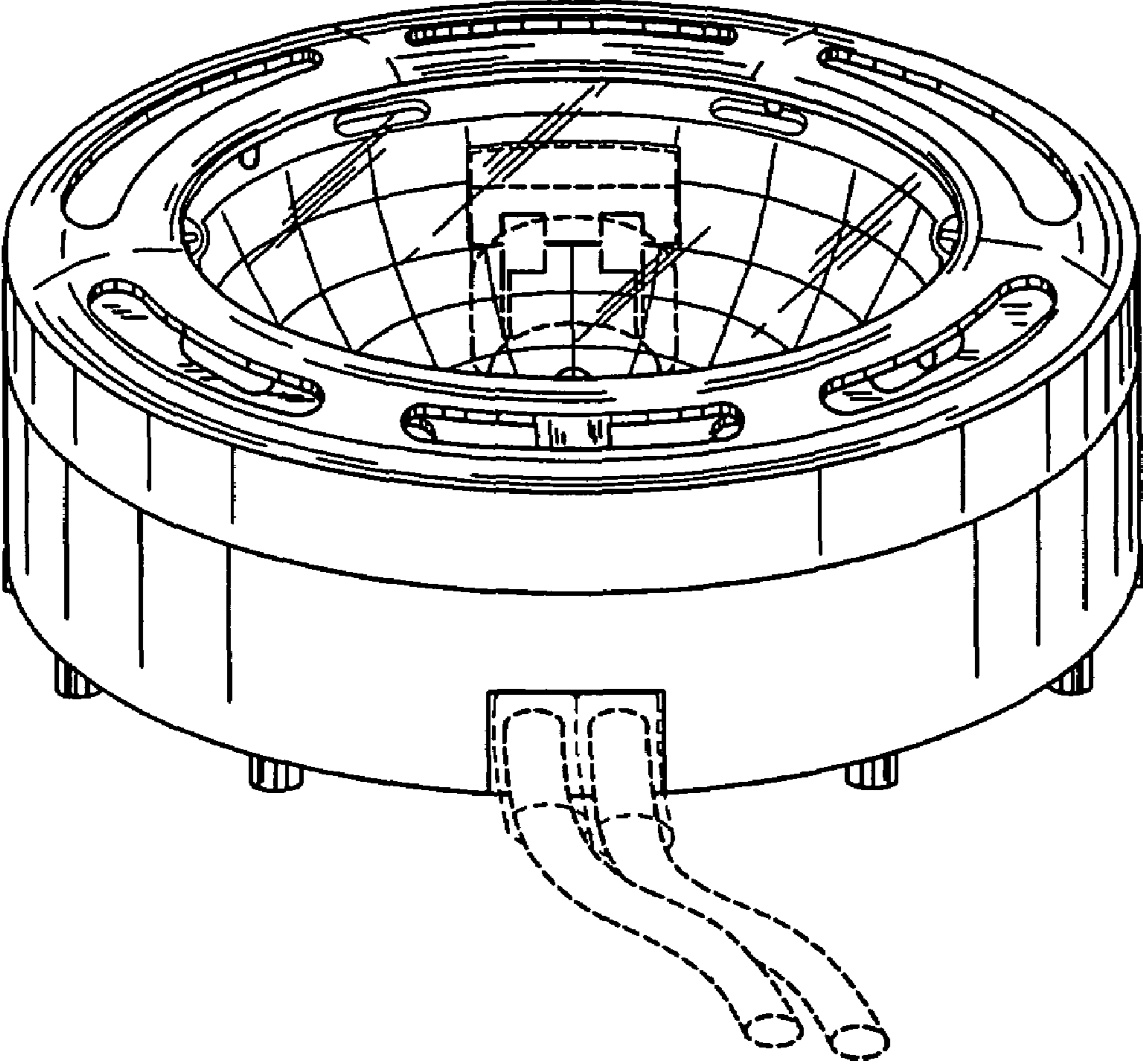


FIG. 2

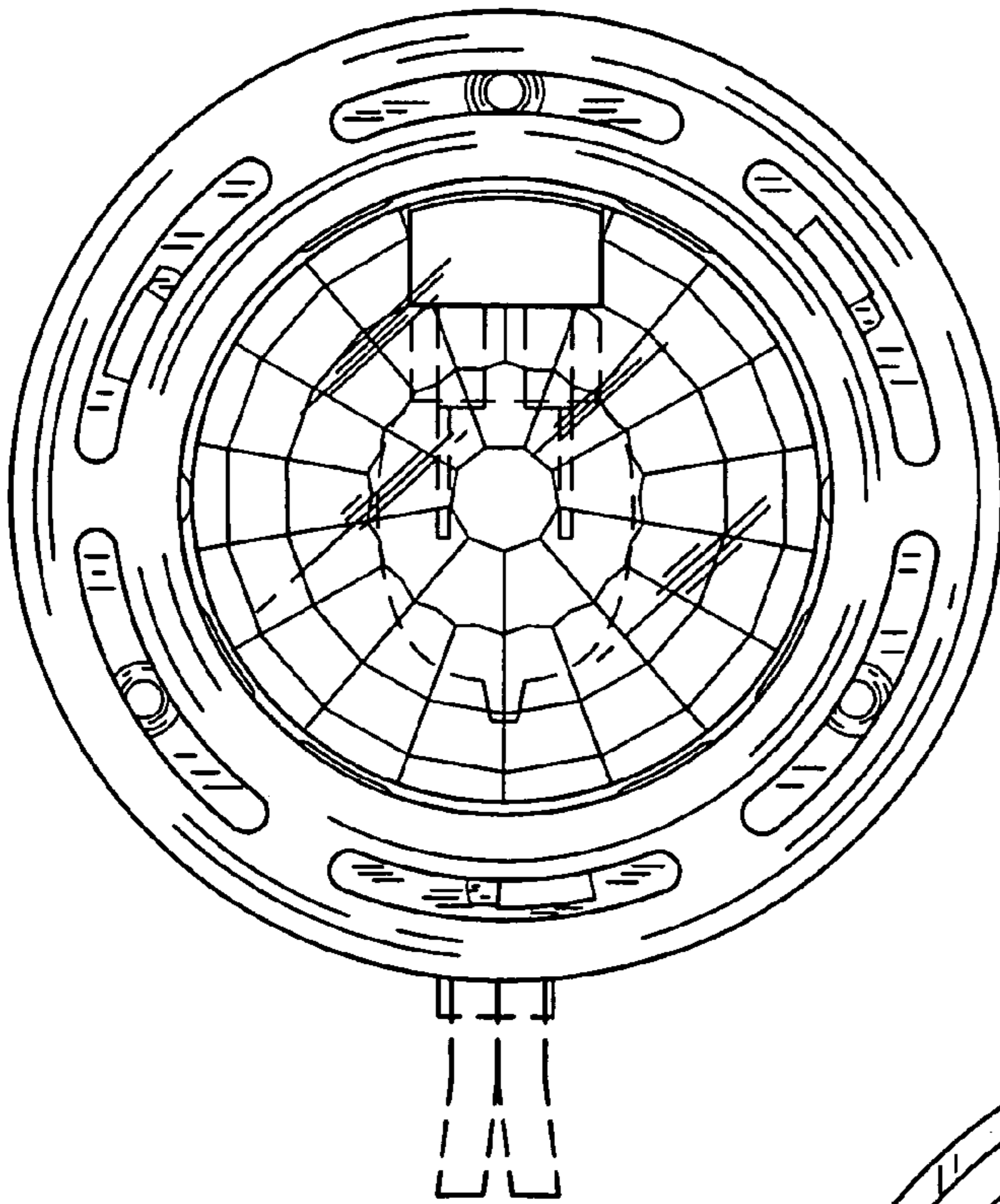


FIG. 3

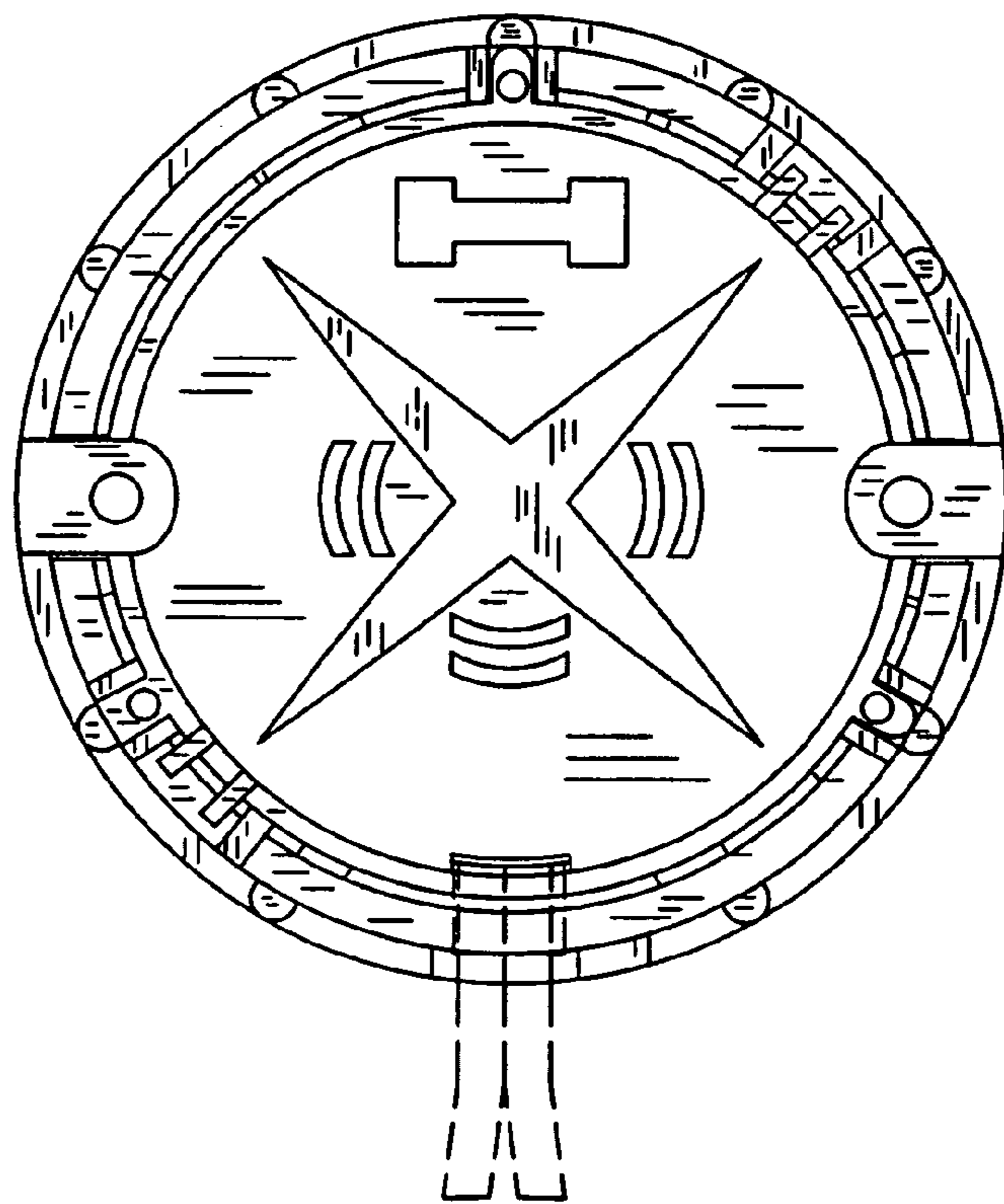


FIG. 4

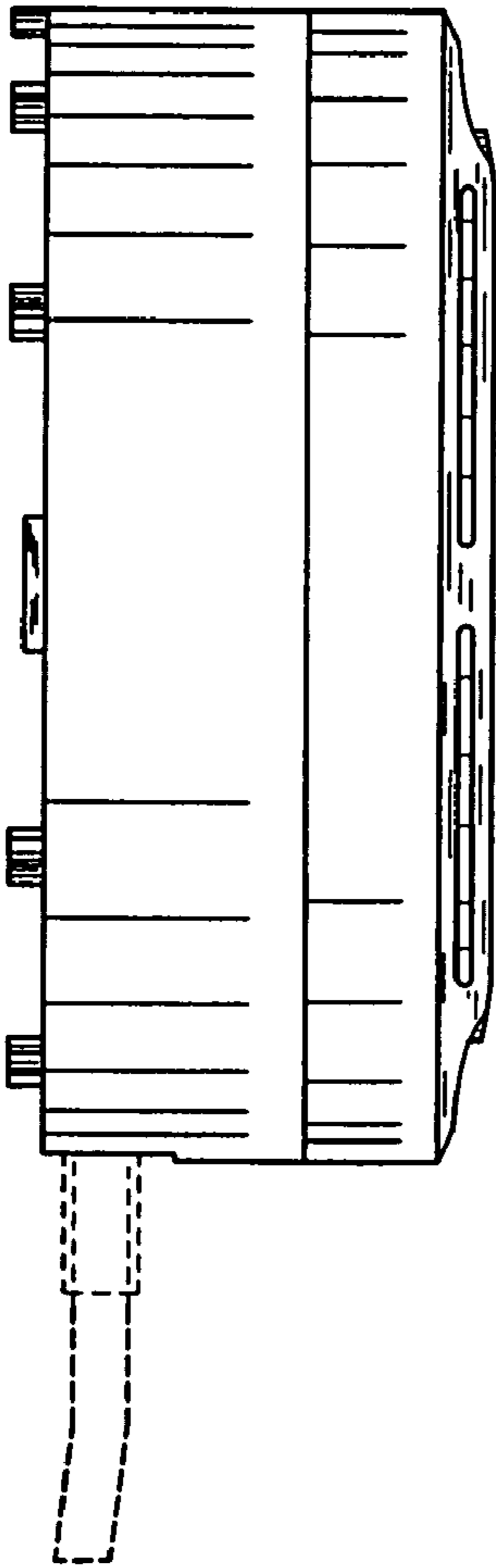


FIG. 5

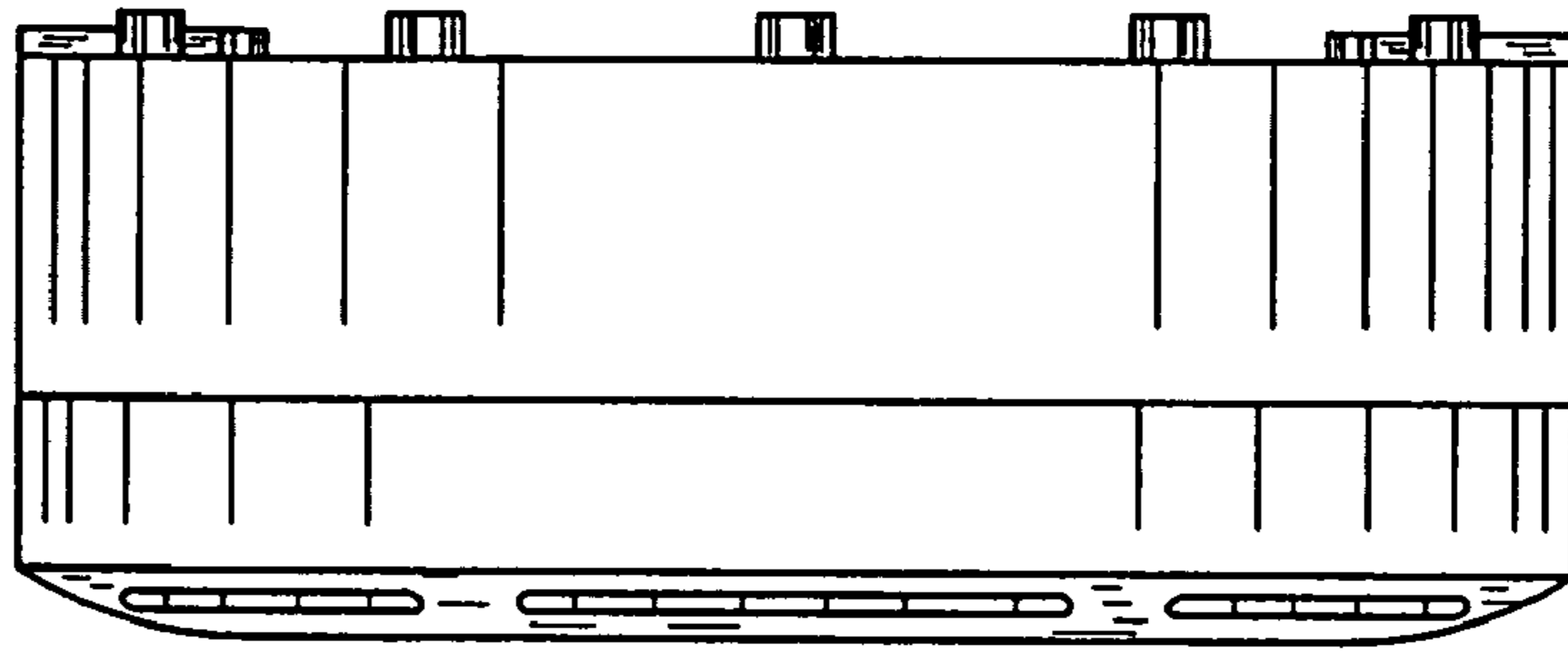


FIG. 6

