



US00D562490S

(12) **United States Design Patent**  
**Rashidi**

(10) **Patent No.:** **US D562,490 S**

(45) **Date of Patent:** **\*\* Feb. 19, 2008**

(54) **RECESSED LIGHT HOUSING**

(76) **Inventor:** **Hamid Rashidi**, 139 N. Clark Dr.,  
Beverly Hills, CA (US) 90211

(\*\*) **Term:** **14 Years**

(21) **Appl. No.:** **29/286,796**

(22) **Filed:** **May 17, 2007**

(51) **LOC (8) Cl.** ..... **26-05**

(52) **U.S. Cl.** ..... **D26/74; D26/118; D26/138**

(58) **Field of Classification Search** ..... D26/72-89,  
D26/115, 113, 118-124, 128, 130-131, 137,  
D26/152; 362/30, 33, 133, 147-148, 151,  
362/216, 217, 225, 226, 326, 65, 346, 347,  
362/350, 364, 365, 404, 408, 433, 434, 632  
See application file for complete search history.

(56) **References Cited**

**U.S. PATENT DOCUMENTS**

D376,667	S	*	12/1996	Lucluze	.....	D26/119
5,584,575	A	*	12/1996	Fickel	.....	362/364
D381,111	S	*	7/1997	Lecluze	.....	D26/118
D381,454	S	*	7/1997	Lecluze	.....	D26/118
D383,564	S	*	9/1997	Lecluze	.....	D26/118
5,826,970	A	*	10/1998	Keller et al.	.....	362/147
6,168,299	B1	*	1/2001	Yan	.....	362/365
D471,312	S	*	3/2003	Homann	.....	D26/118

D473,965	S	*	4/2003	Lecluze	.....	D26/74
D474,298	S	*	5/2003	Lecluze	.....	D26/74
D476,108	S	*	6/2003	Lecluze	.....	D26/74
D508,750	S	*	8/2005	Rashidi	.....	D26/74
D508,751	S	*	8/2005	Rashidi	.....	D26/74
D516,235	S	*	2/2006	Rashidi	.....	D26/74
D546,999	S	*	7/2007	Rashidi	.....	D26/118
D548,391	S	*	8/2007	Lecluze	.....	D26/138

\* cited by examiner

*Primary Examiner*—Carol Rademaker

*Assistant Examiner*—Susan E Krakower

(74) *Attorney, Agent, or Firm*—Thomas I. Rozsa

(57) **CLAIM**

The ornamental design for a recessed light housing, as shown and described.

**DESCRIPTION**

FIG. 1 is a perspective view of a recessed light housing showing my design;

FIG. 2 is a front view thereof;

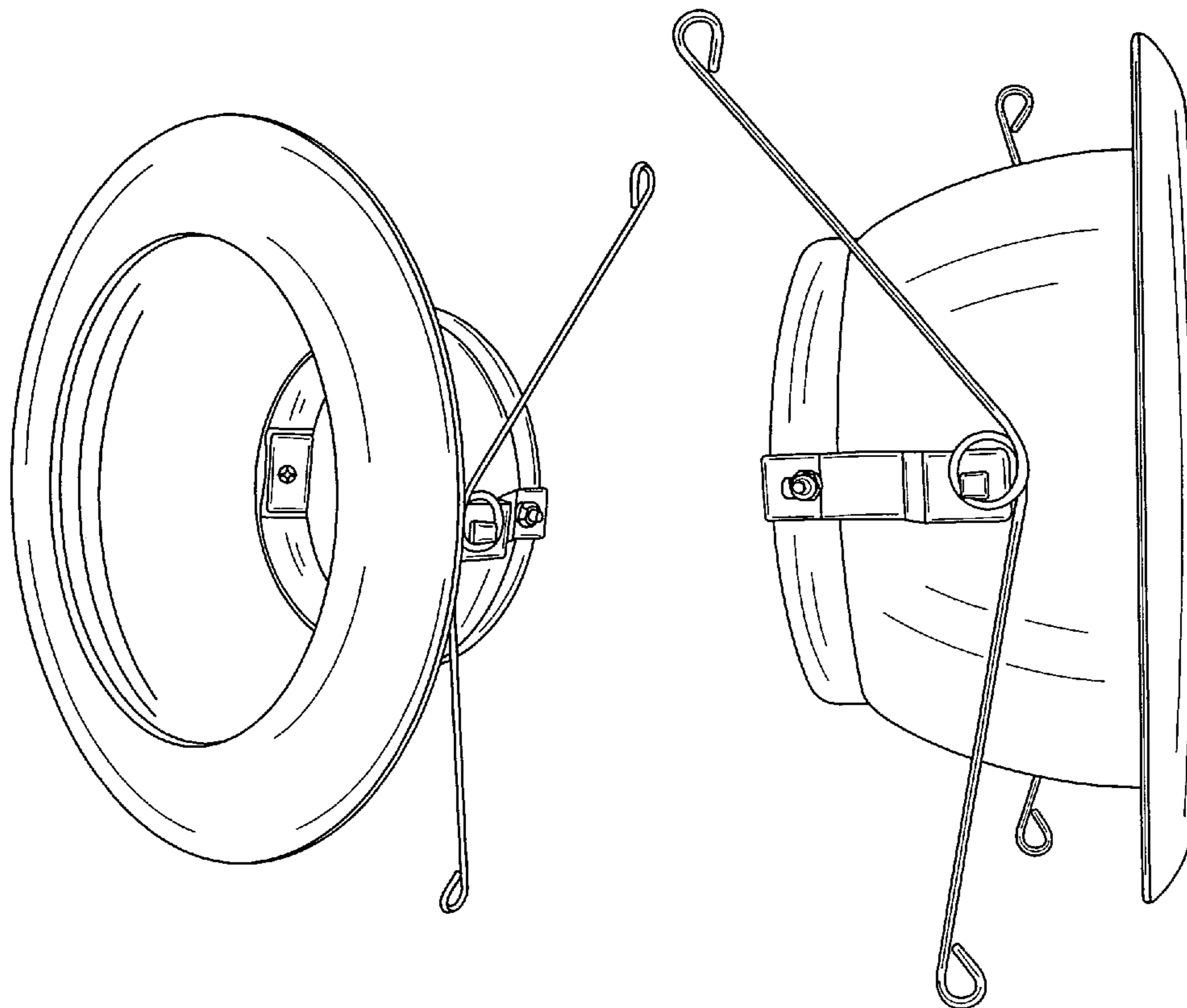
FIG. 3 is a right side view thereof;

FIG. 4 is a left side view thereof;

FIG. 5 is a top view thereof; and,

FIG. 6 is a bottom view thereof.

**1 Claim, 6 Drawing Sheets**



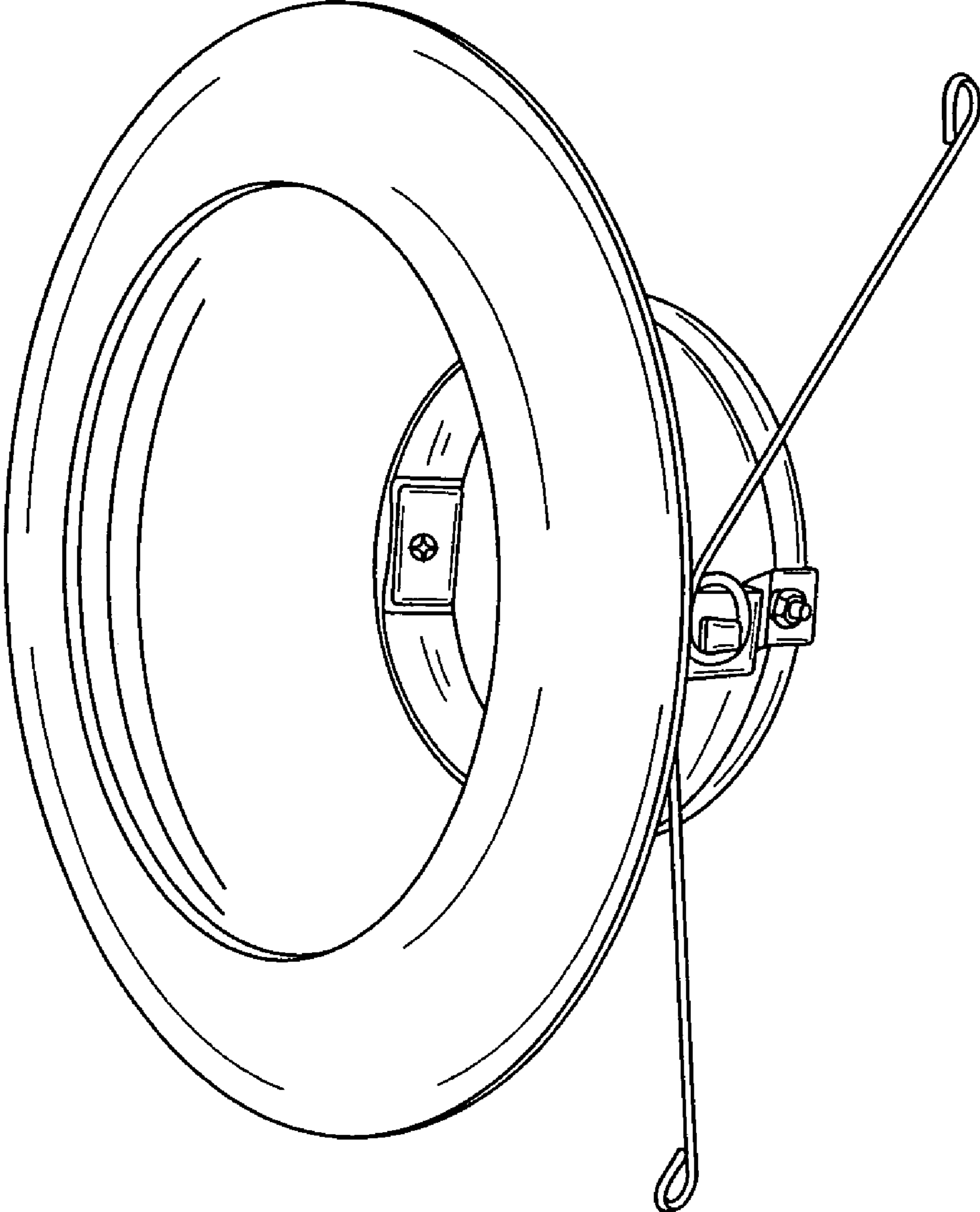


FIG. 1

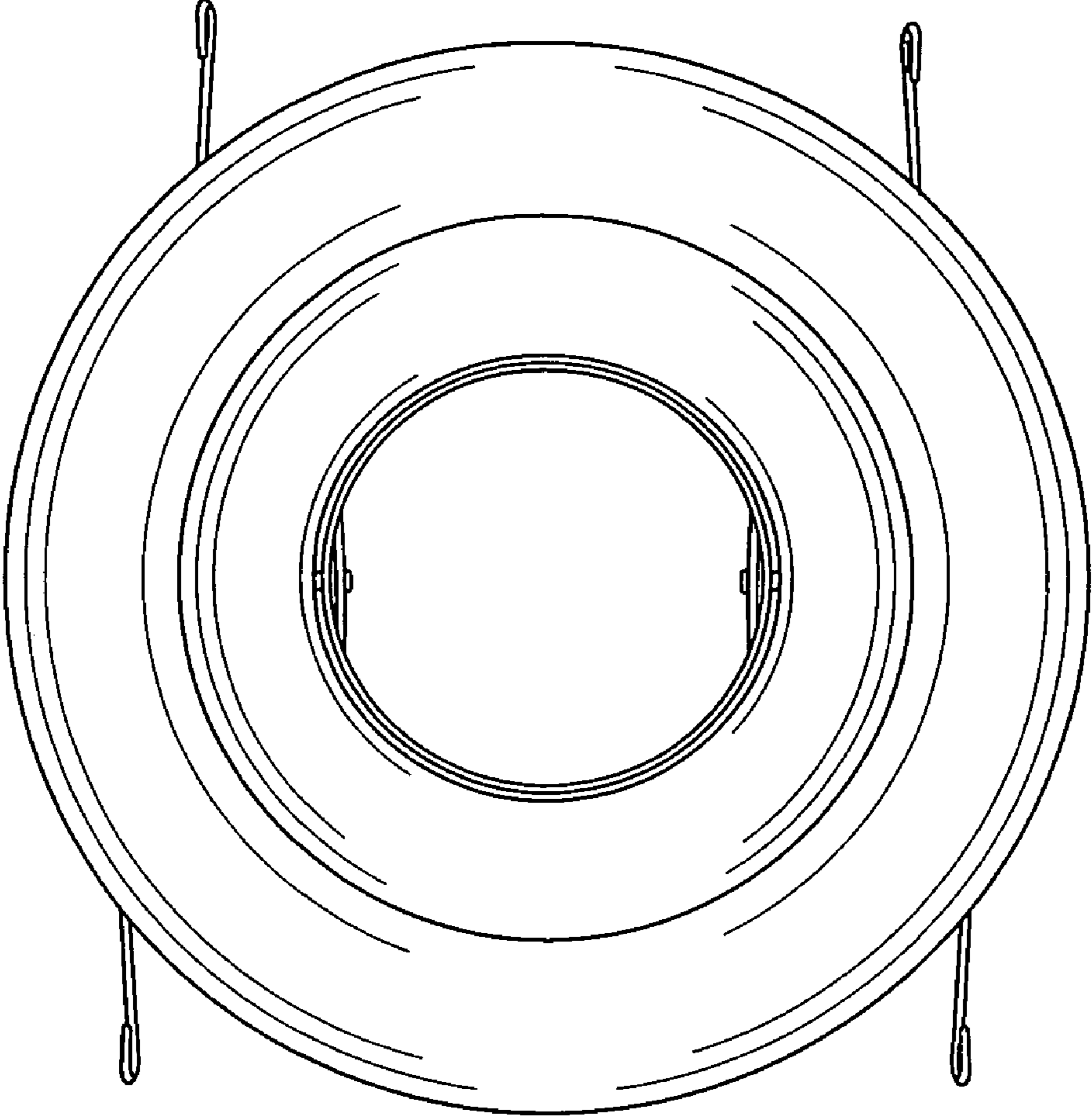


FIG. 2

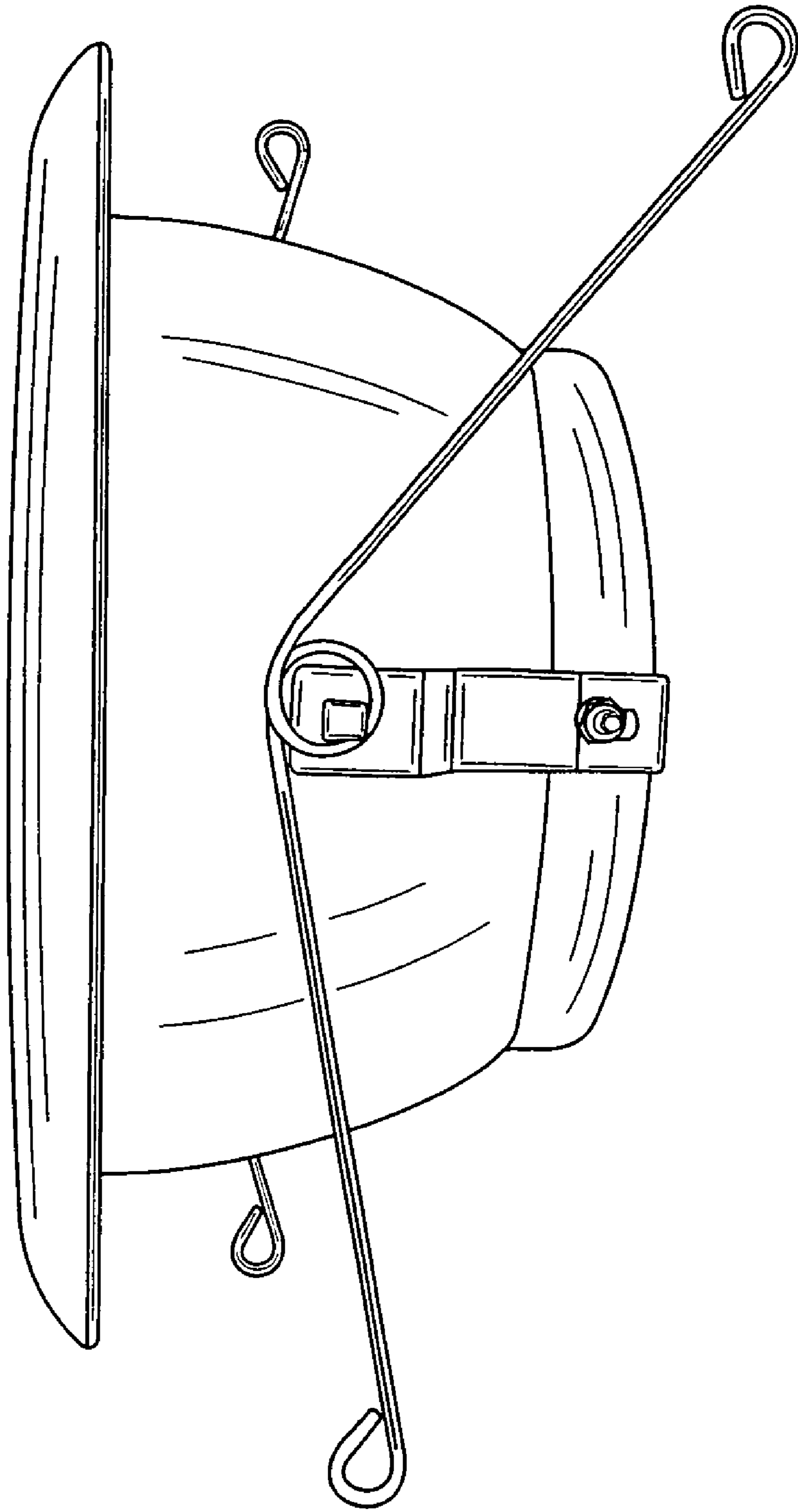


FIG. 3

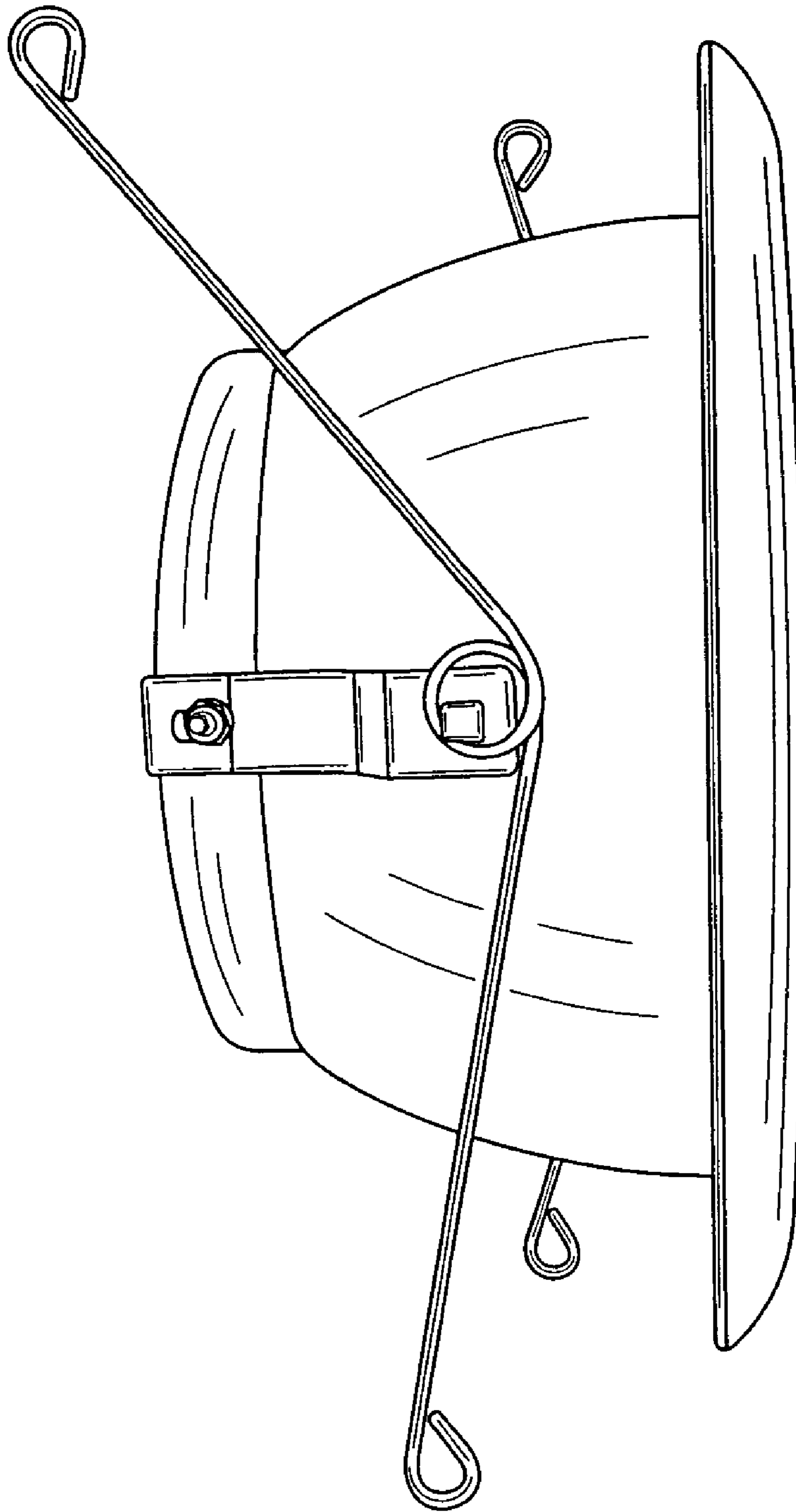


FIG. 4

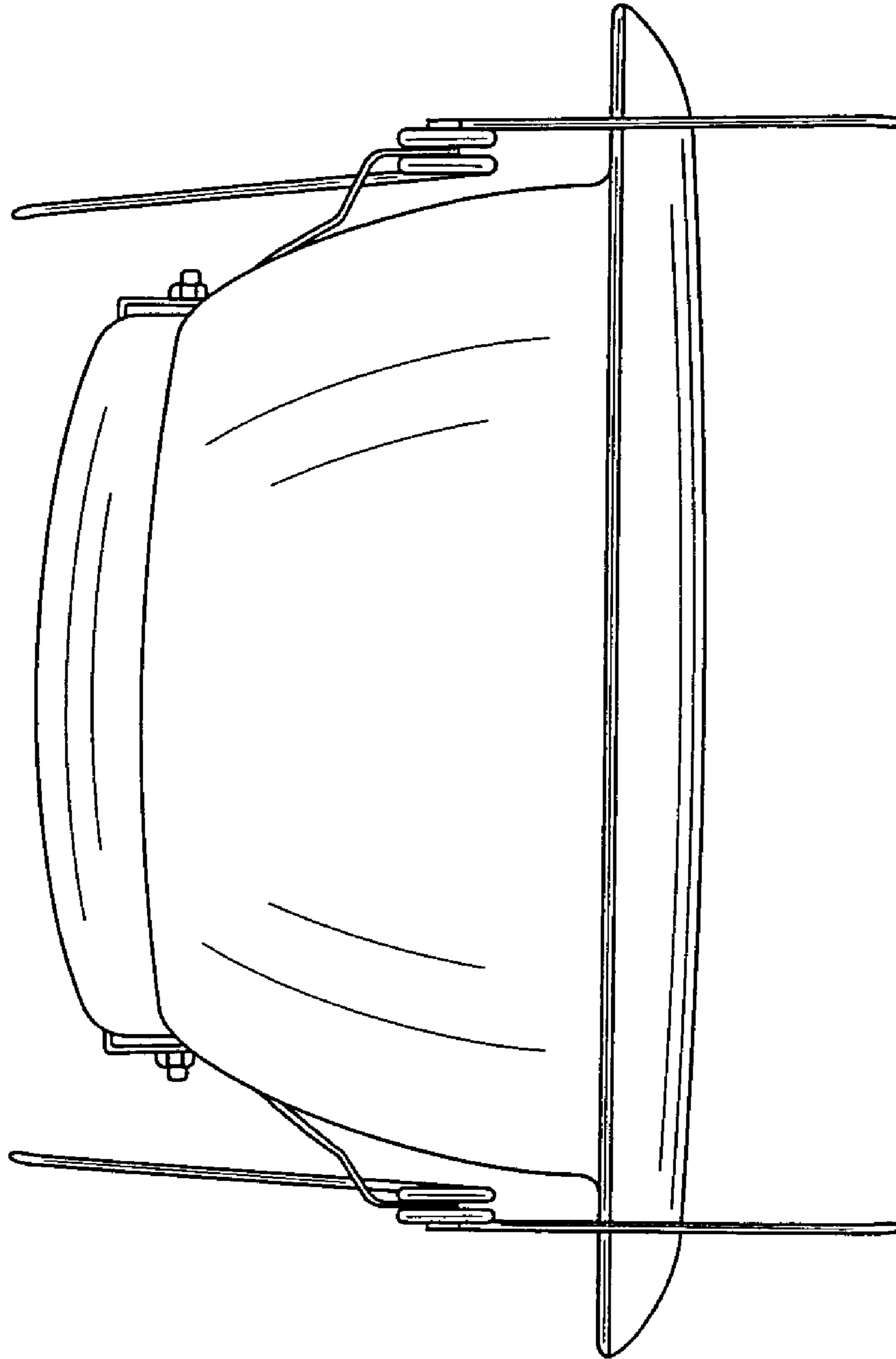


FIG. 5

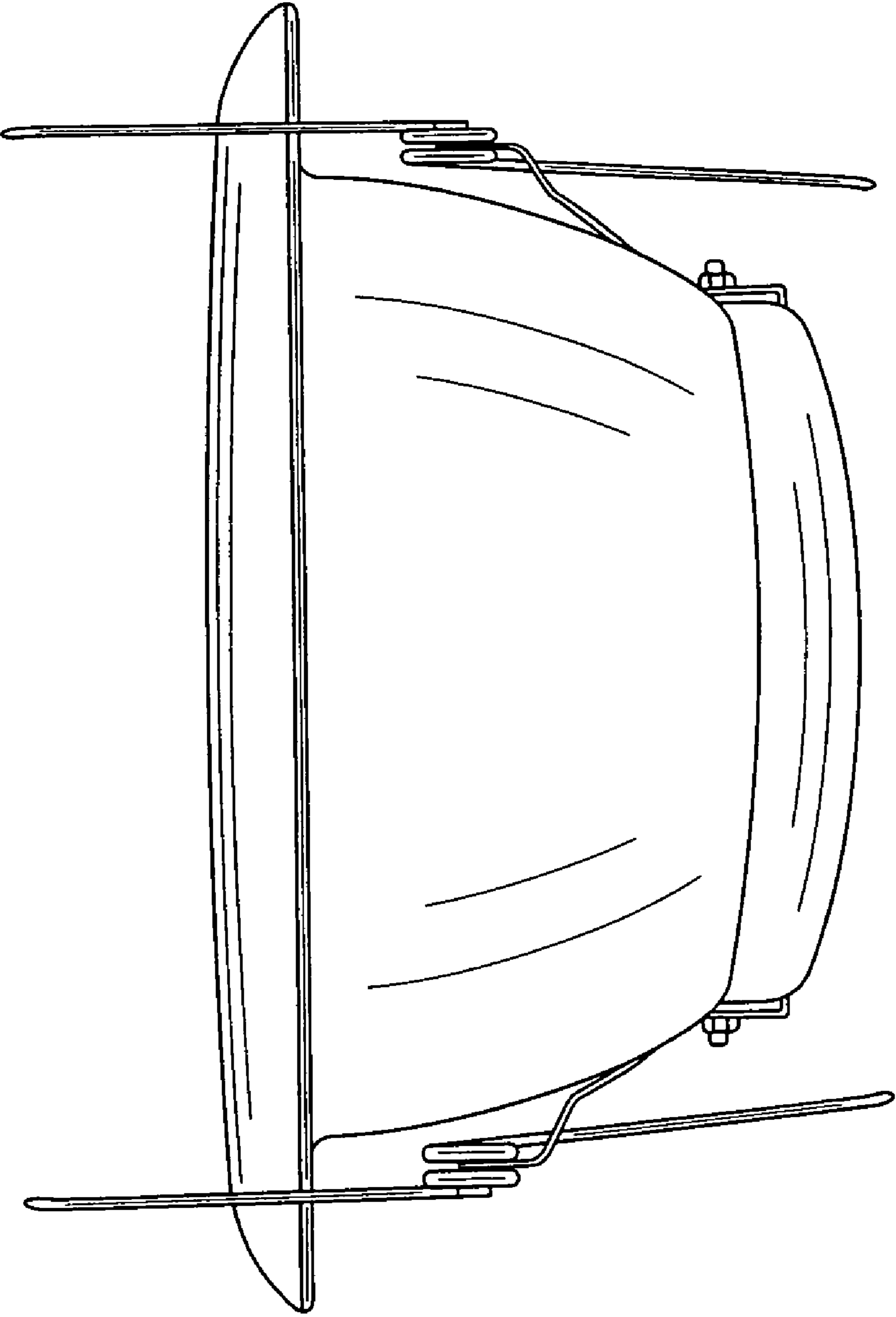


FIG. 6