



US00D562486S

(12) **United States Design Patent** (10) **Patent No.:** **US D562,486 S**  
**Lüke** (45) **Date of Patent:** **\*\* Feb. 19, 2008**

(54) **UNDERWATER FLOODLIGHT**

(75) Inventor: **Wilfried Lüke**, Schloss  
Holte-Stukenbrock (DE)

(73) Assignee: **OASE GmbH**, Hörstel-Riesenbeck  
(DE)

(\*\*) Term: **14 Years**

(21) Appl. No.: **29/233,662**

(22) Filed: **Jul. 8, 2005**

(30) **Foreign Application Priority Data**

Jan. 11, 2005 (EM) ..... 000 278 064

(51) **LOC (8) Cl.** ..... **26-05**

(52) **U.S. Cl.** ..... **D26/61**

(58) **Field of Classification Search** ..... D26/60-66,  
D26/93, 106, 110, 138, 142, 144; 362/101,  
362/147, 267, 269, 270, 275, 285, 286, 287,  
362/290, 410, 413, 418, 419, 427, 428, 429,  
362/430

See application file for complete search history.

(56) **References Cited**

**U.S. PATENT DOCUMENTS**

D206,392 S *	12/1966	Winslow	.....	D26/63
D234,712 S *	4/1975	Kennedy	.....	D26/63
D235,227 S *	5/1975	Cleary	.....	D26/63
D287,413 S *	12/1986	Kusmer et al.	.....	D26/65
5,140,507 A *	8/1992	Harwood	.....	362/271
D340,305 S *	10/1993	Hall et al.	.....	D26/68
D400,997 S *	11/1998	Cheun et al.	.....	D26/63
5,842,771 A *	12/1998	Thrasher et al.	.....	362/101
D448,508 S *	9/2001	Benghozi	.....	D26/63

\* cited by examiner

*Primary Examiner*—Cathron Brooks

*Assistant Examiner*—Barbara Fox

(74) *Attorney, Agent, or Firm*—Gundrun E. Huckett

(57) **CLAIM**

The ornamental design for an underwater floodlight, as shown and described.

**DESCRIPTION**

FIG. 1 is a perspective top view of the floodlight casing of my underwater floodlight;

FIG. 2 is a perspective bottom view of my underwater floodlight showing the floodlight casing mounted on its support;

FIG. 3 is a perspective top view of the support of my underwater floodlight;

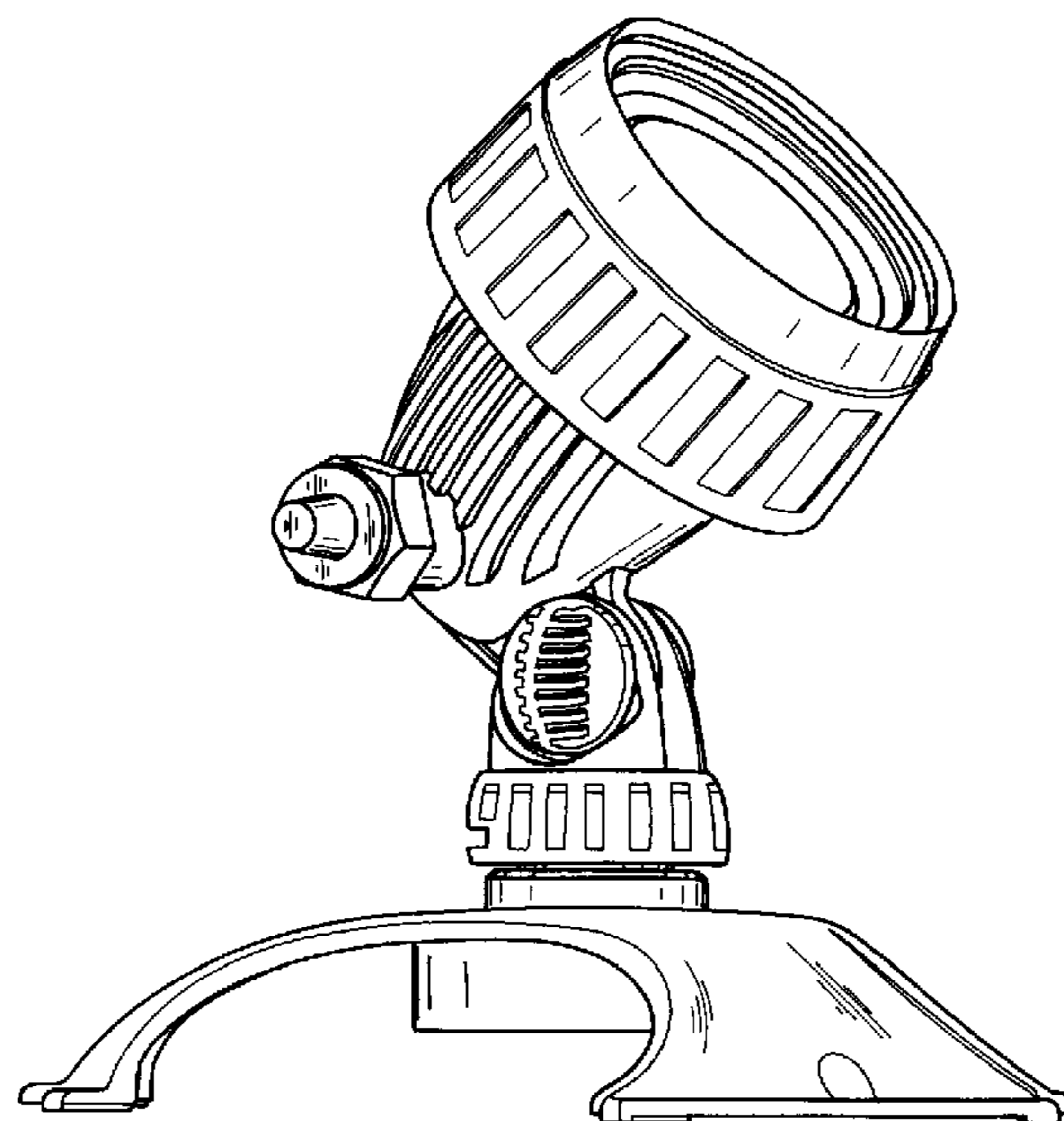
FIG. 4 is a perspective view of my underwater floodlight removed from its support and showing receiving means for the support arm shown in FIG. 1 and FIG. 2;

FIG. 5 is a side view of my underwater floodlight looking onto the receiving means for the support arm; and,

FIG. 6 is a perspective bottom view of my underwater floodlight looking onto the receiving means.

The claimed design is shown in FIG. 2. For clarity of illustration, the support is removed in FIG. 1 and the support arm arranged between the floodlight casing and the support is removed in FIGS. 4, 5, 6. FIG. 3 shows only the support; support arm and floodlight casing are removed for clarity of illustration.

**1 Claim, 6 Drawing Sheets**



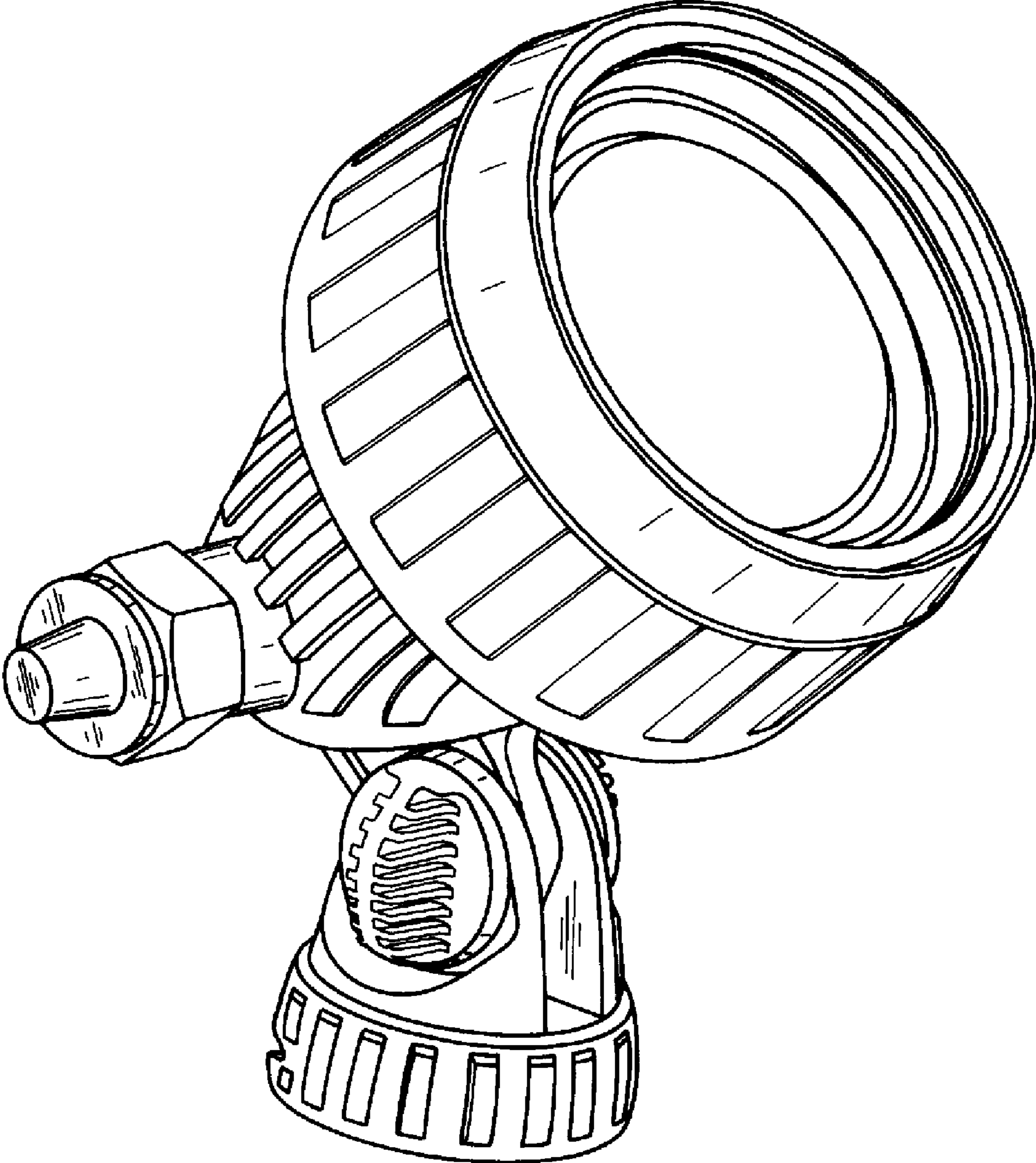


Fig.1

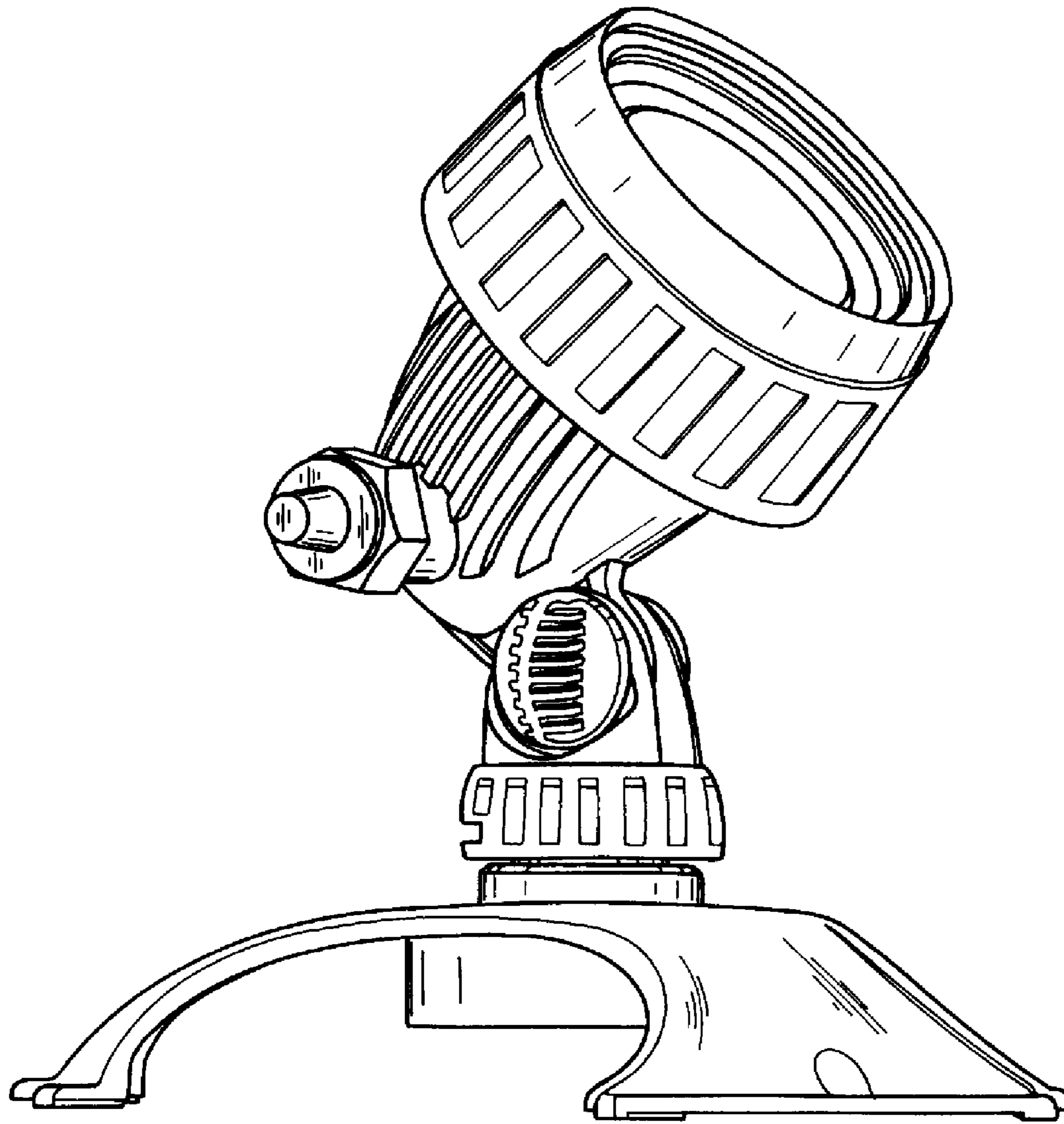


Fig. 2

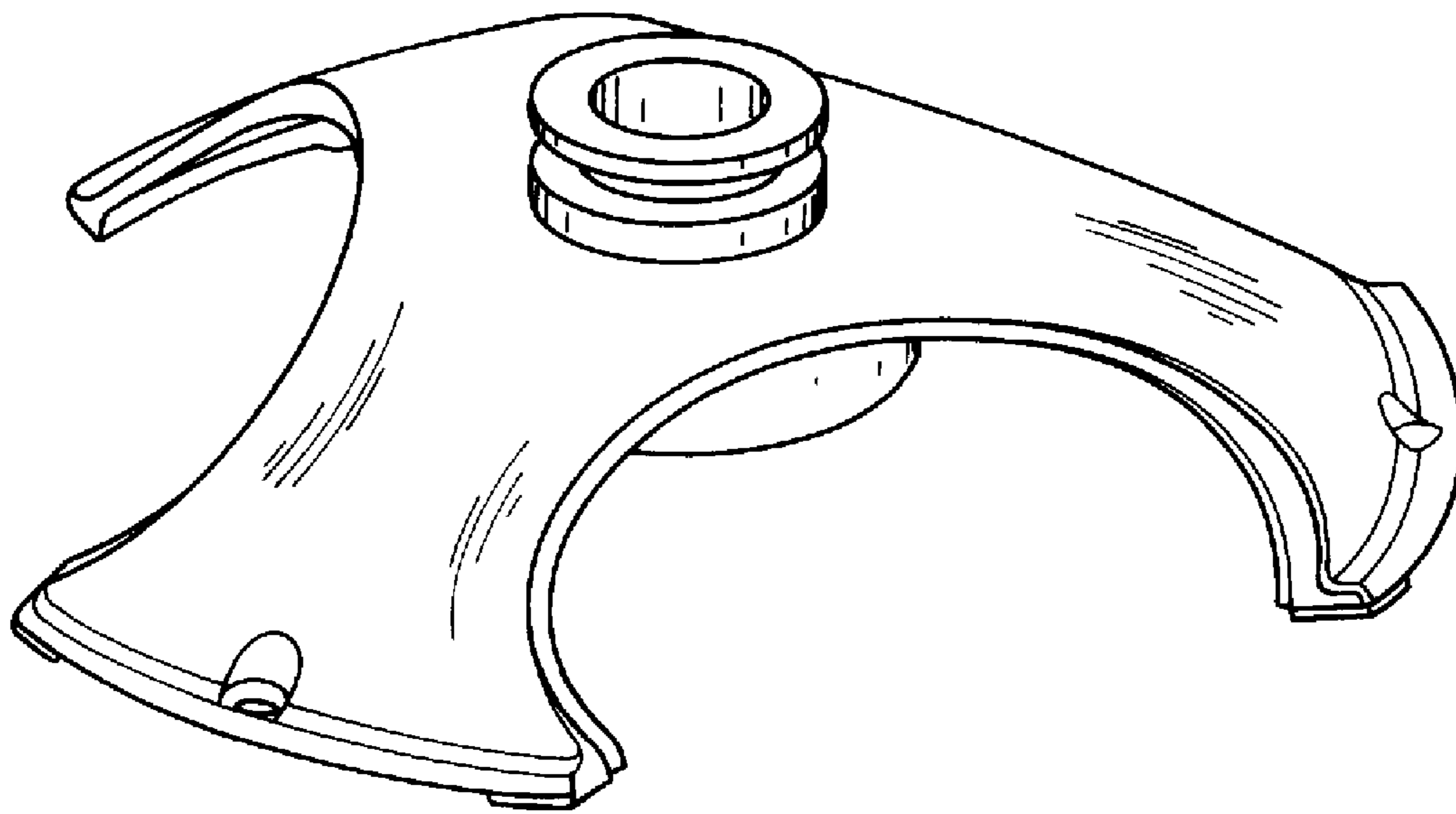


Fig. 3

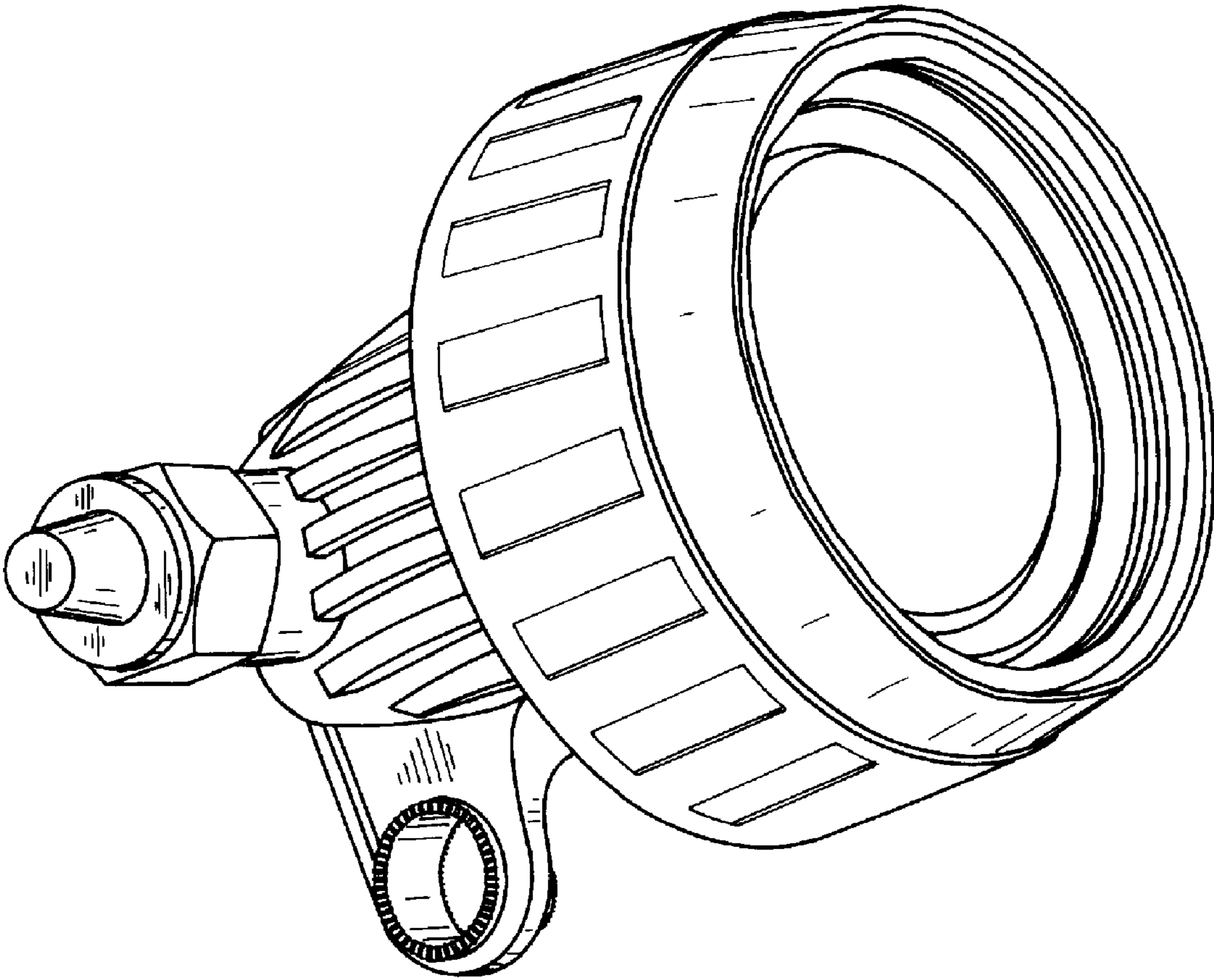


Fig.4

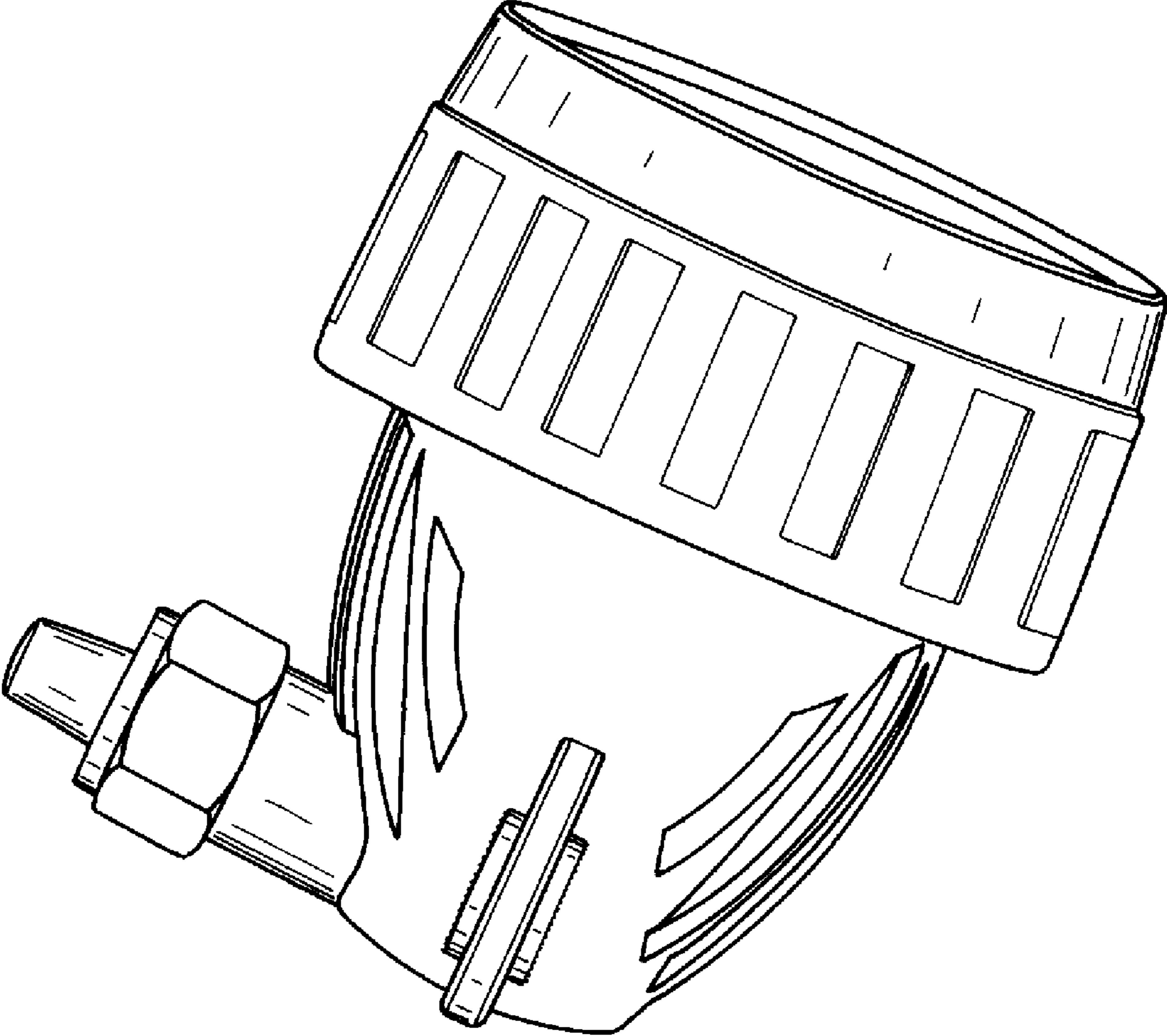


Fig.5

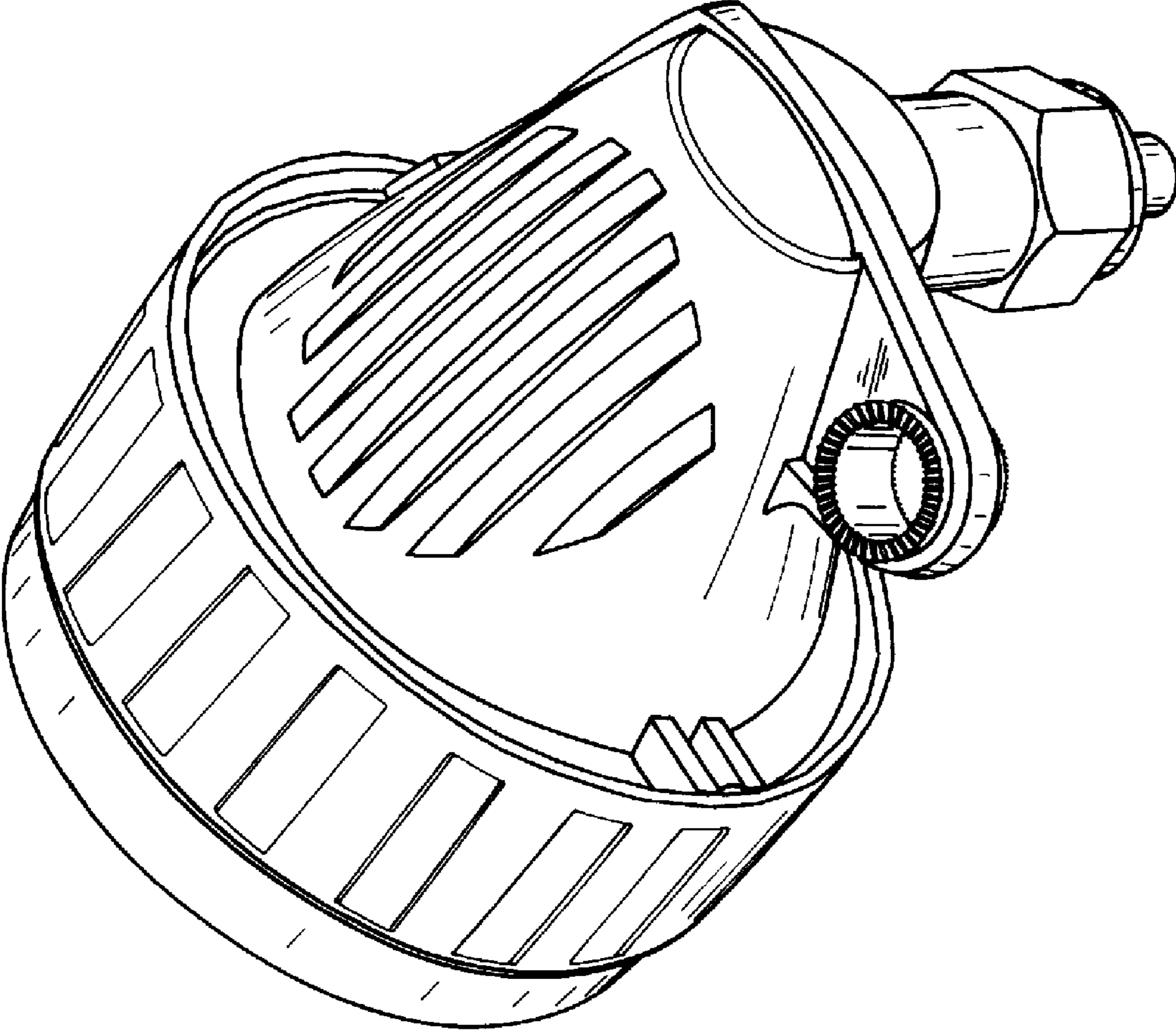


Fig.6