

US00D562483S

(12) **United States Design Patent**  
**Penke et al.**

(10) **Patent No.:** **US D562,483 S**

(45) **Date of Patent:** **\*\* Feb. 19, 2008**

(54) **TOP ILLUMINATION SCONCE FOR A  
COMMUNITY HUB KIOSK**

D323,906 S \* 2/1992 Miranda et al. .... D26/85  
D533,291 S \* 12/2006 Penke et al. .... D26/51

(75) Inventors: **Mark S. Penke**, West Henrietta, NY  
(US); **Donald A. Brown**, Honeoye  
Falls, NY (US)

\* cited by examiner

*Primary Examiner*—Marcus A. Jackson

(74) *Attorney, Agent, or Firm*—Tallam I. Nguti

(73) Assignee: **Xerox Corporation**, Stamford, CT  
(US)

(57) **CLAIM**

(\*\*) Term: **14 Years**

The ornamental design for a top illumination sconce for a community hub kiosk, as shown and described.

(21) Appl. No.: **29/192,803**

**DESCRIPTION**

(22) Filed: **Oct. 30, 2003**

FIG. 1 is a perspective view showing the design of a top 5 illumination sconce for a community hub kiosk of the present invention;

(51) **LOC (8) Cl.** ..... **26-05**

FIG. 2 is a front side view thereof;

(52) **U.S. Cl.** ..... **D26/51; D26/58; D26/85**

FIG. 3 is a right view thereof;

(58) **Field of Classification Search** ..... D26/51–58,  
D26/74, 80–92; 362/125, 127, 147, 362,  
362/364, 432

FIG. 4 is a rear side view thereof;

See application file for complete search history.

FIG. 5 is a left side view thereof; and,

FIG. 6 is a top plan view thereof.

(56) **References Cited**

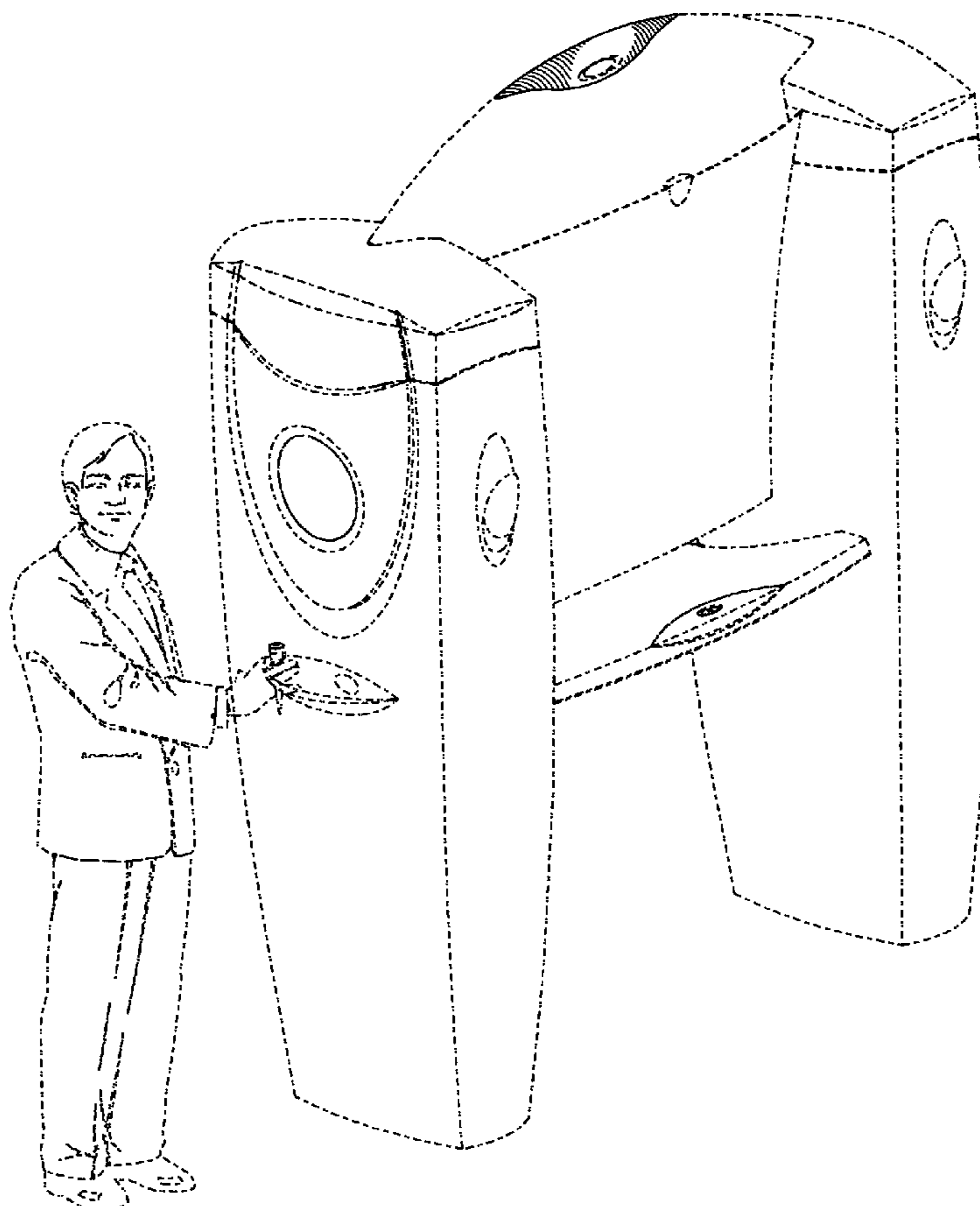
The broken lines showing in FIGS. 1–6 are for illustrative purposes only and do not form part of the claimed design.

**U.S. PATENT DOCUMENTS**

D194,299 S \* 12/1962 Brach ..... D6/509

D320,668 S \* 10/1991 von Kluck ..... D26/85

**1 Claim, 6 Drawing Sheets**



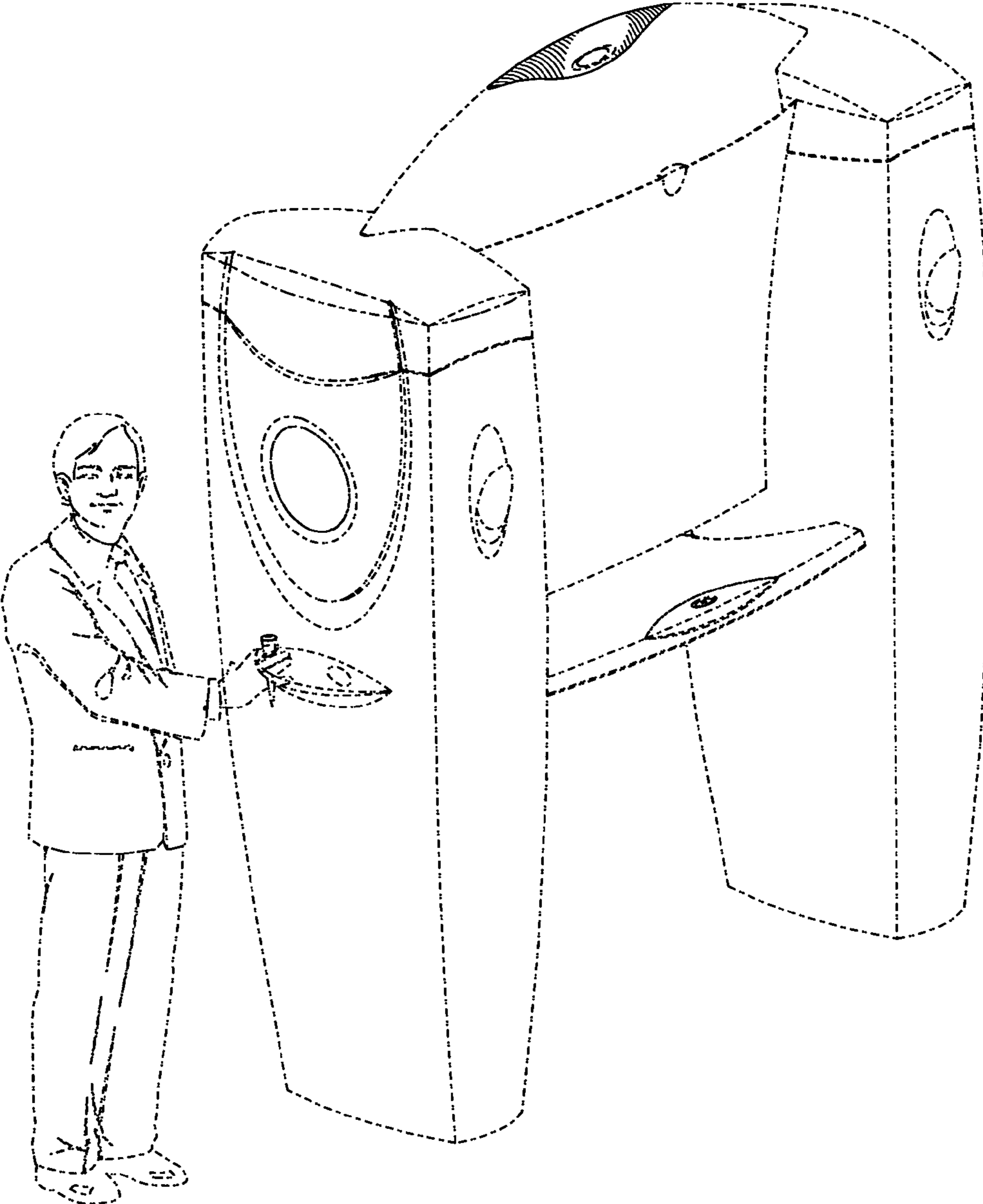
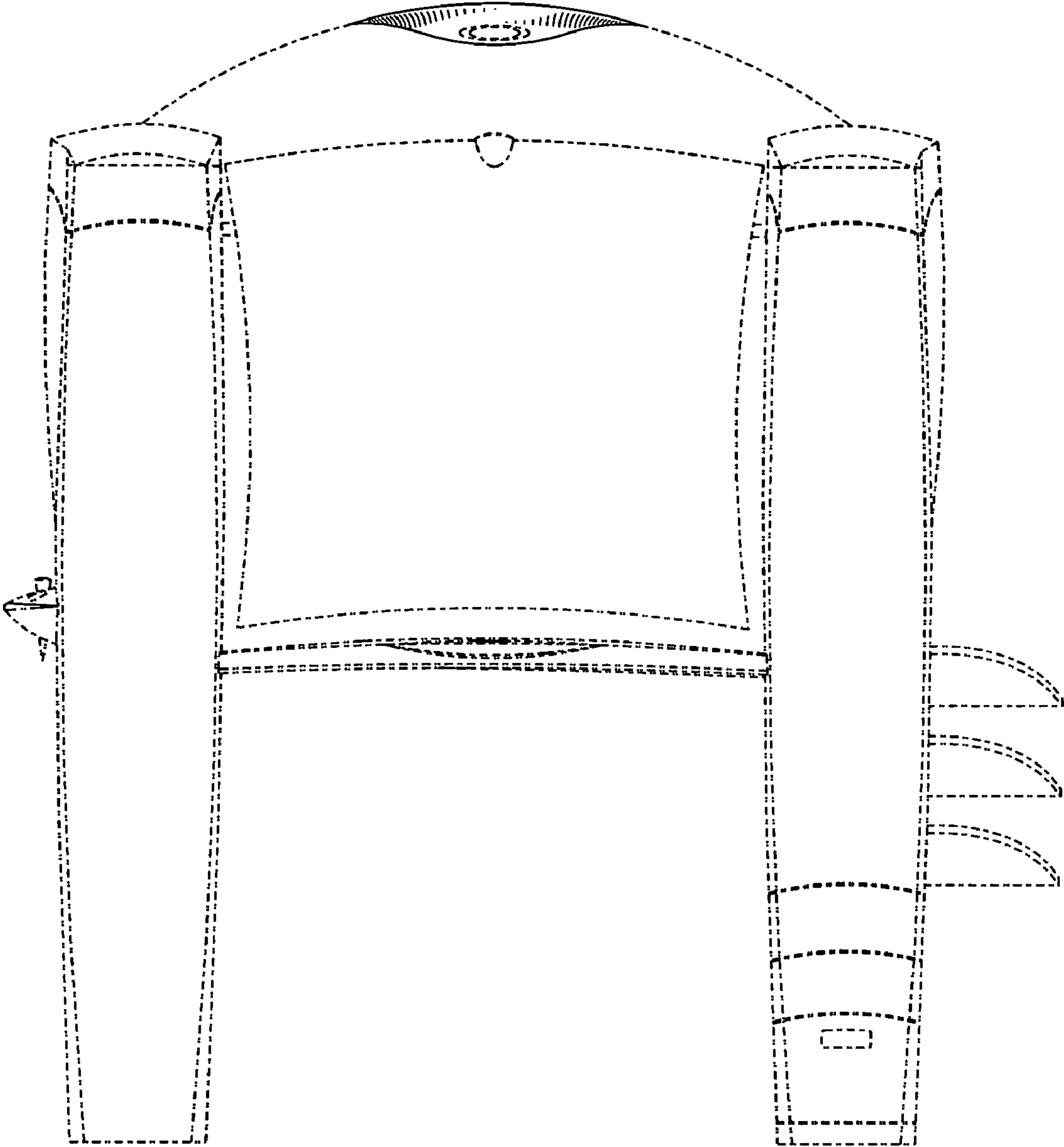
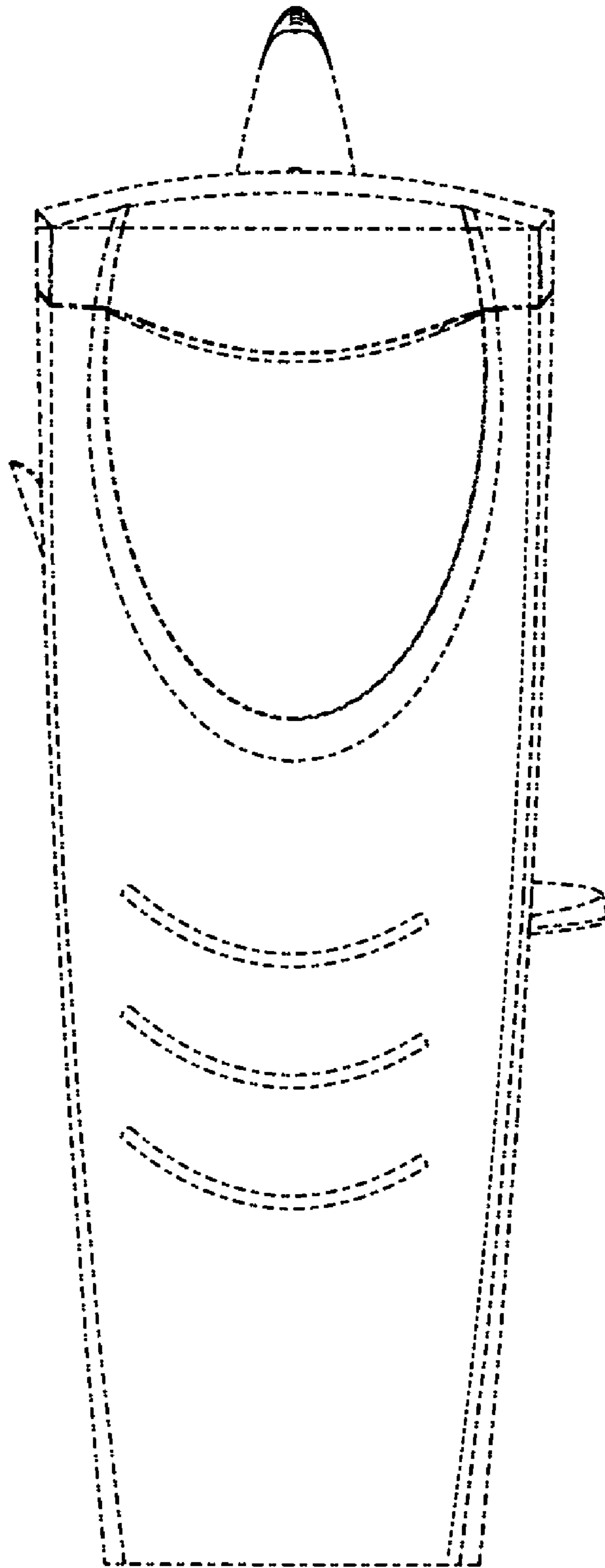


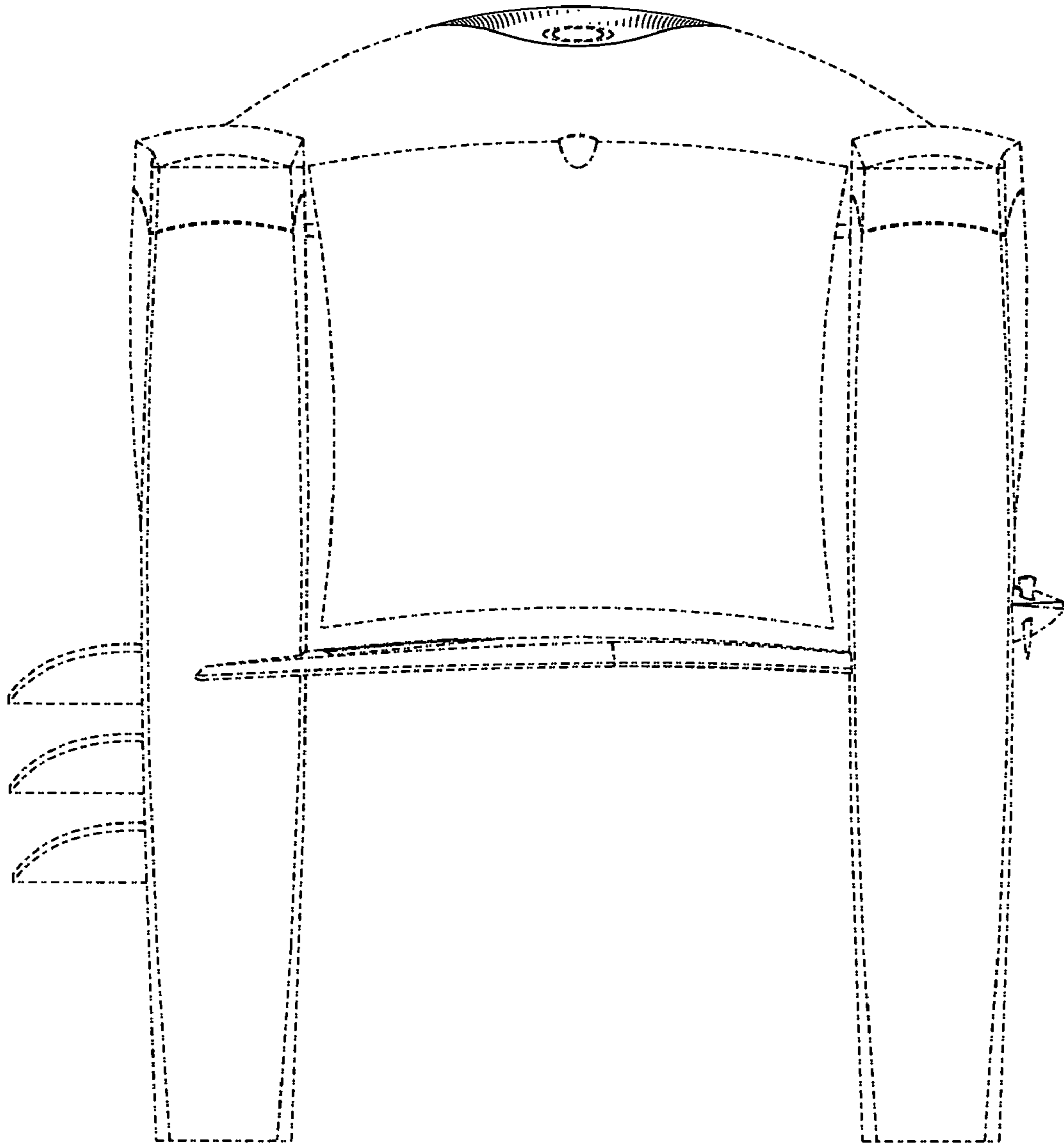
FIG. 1



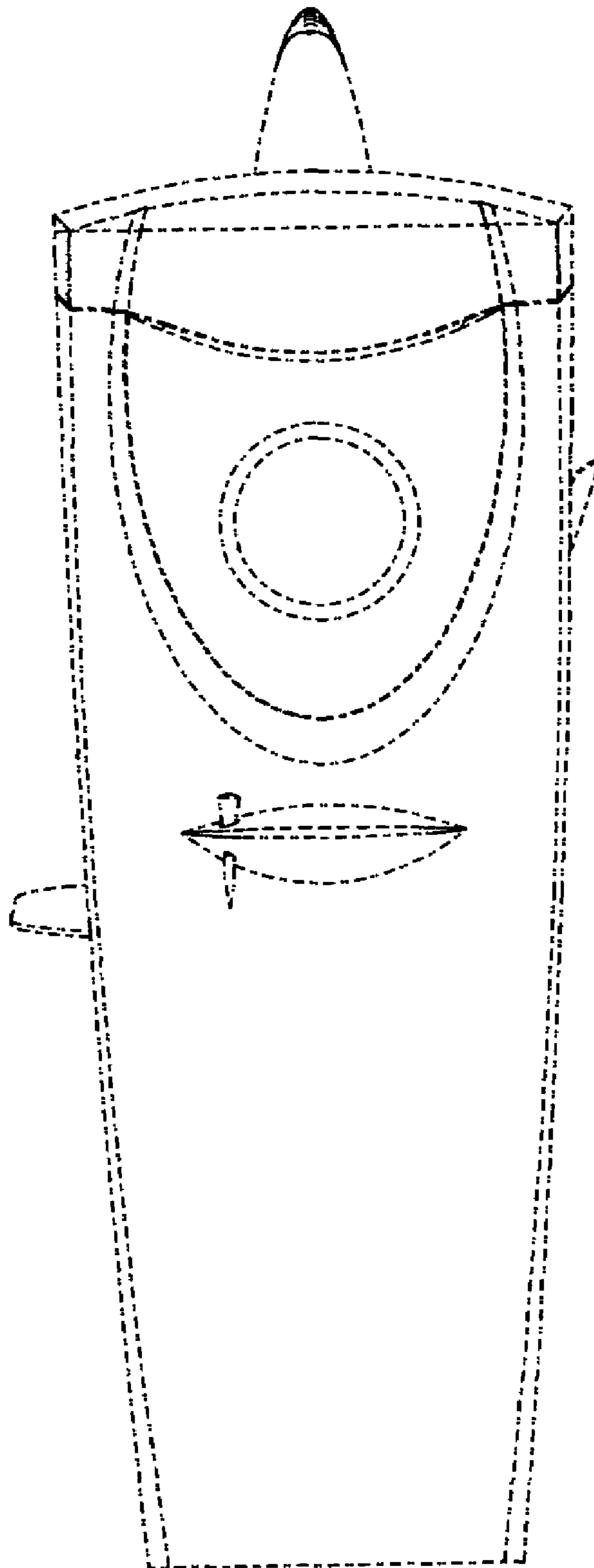
**FIG. 2**



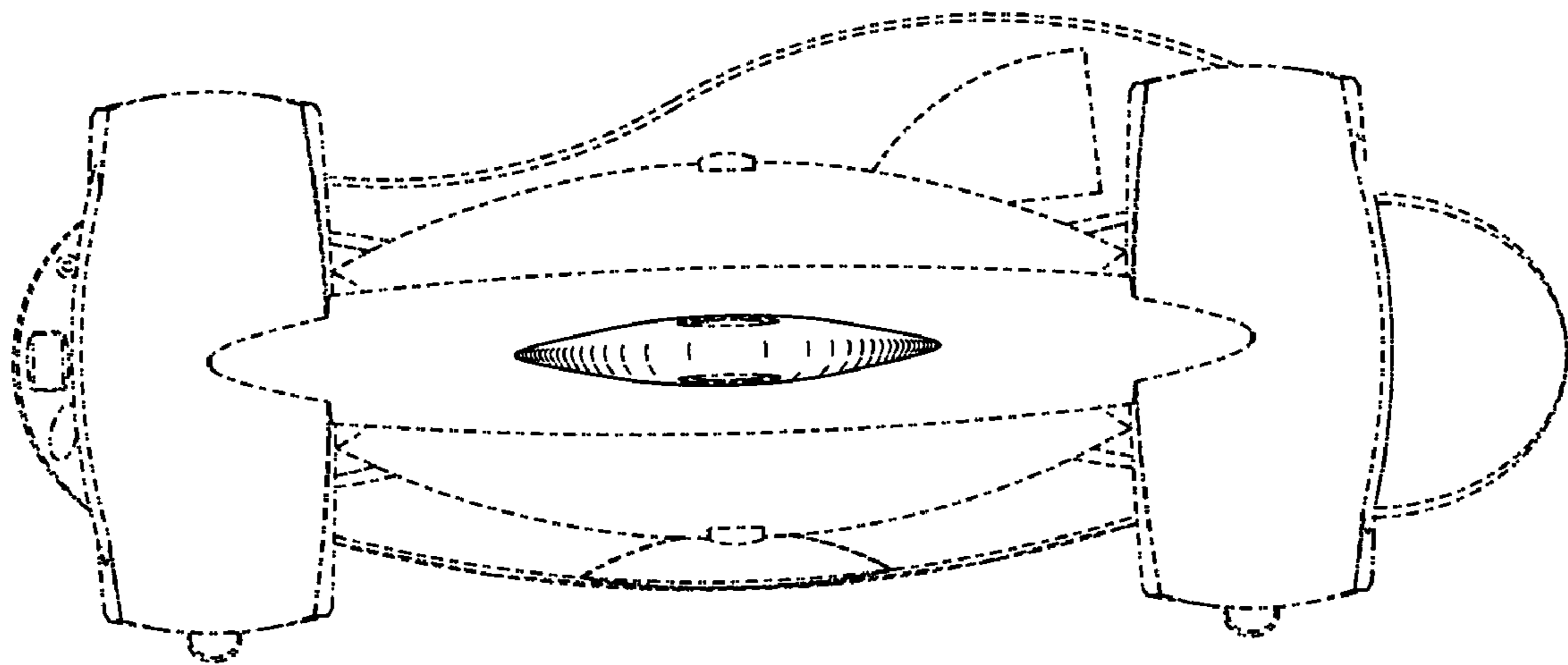
**FIG. 3**



**FIG. 4**



**FIG. 5**



**FIG. 6**