



US00D562480S

(12) **United States Design Patent**  
**Spartano et al.**

(10) **Patent No.:** **US D562,480 S**

(45) **Date of Patent:** **\*\* Feb. 19, 2008**

(54) **FLASHLIGHT**

D537,181 S \* 2/2007 Chen et al. .... D26/37

(75) Inventors: **David Spartano**, Brunswick, OH (US);  
**Nguyen Violette**, St. Louis, MO (US);  
**Kang Woon Au**, Kowloon (HK); **David**  
**J. Hine**, Skaneateles, NY (US); **Scott**  
**W. Osiecki**, Skaneateles, NY (US)

\* cited by examiner

*Primary Examiner*—Charles A. Rademaker

*Assistant Examiner*—Carissa C Fitts

(74) *Attorney, Agent, or Firm*—Gregory J. Adams

(73) Assignee: **Eveready Battery Company, Inc.**, St.  
Louis, MO (US)

(57) **CLAIM**

We claim the ornamental design for a flashlight, as shown  
and described.

(\*\*) Term: **14 Years**

(21) Appl. No.: **29/270,826**

**DESCRIPTION**

(22) Filed: **Jan. 4, 2007**

FIG. 1 is a perspective view of the flashlight of the present  
invention.

(51) **LOC (8) Cl.** ..... **26-02**

FIG. 2 is a right side view of the flashlight of the present  
invention.

(52) **U.S. Cl.** ..... **D26/46; D26/37**

FIG. 3 is a left side view of the flashlight of the present  
invention.

(58) **Field of Classification Search** ..... D26/37,  
D26/38, 43, 46, 48, 49, 50, 51, 52; 362/157,  
362/158, 183, 194, 196, 202, 203, 208  
See application file for complete search history.

FIG. 4 is a top view of the flashlight of the present  
invention.

FIG. 5 is a bottom view of the flashlight of the present  
invention.

(56) **References Cited**

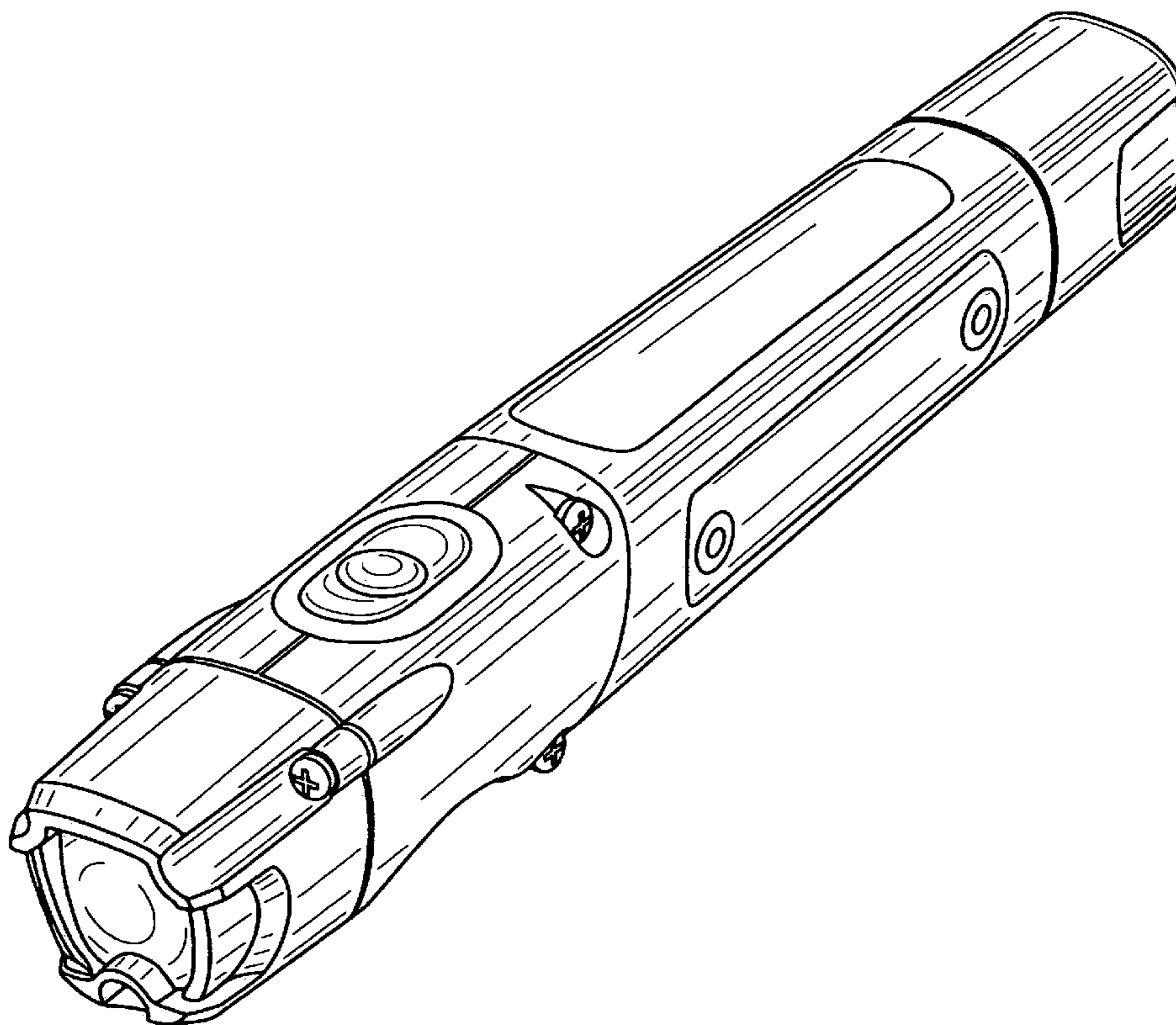
**U.S. PATENT DOCUMENTS**

D449,395 S \* 10/2001 Dalton et al. .... D26/49  
D494,298 S \* 8/2004 Brent ..... D26/49  
D496,481 S \* 9/2004 Wiesmeth ..... D26/49  
D520,166 S \* 5/2006 Galli ..... D26/49  
D536,464 S \* 2/2007 Kingston et al. .... D26/43

FIG. 6 is a front view of the flashlight of the present  
invention; and,

FIG. 7 is a rear view of the flashlight of the present  
invention.

**1 Claim, 4 Drawing Sheets**



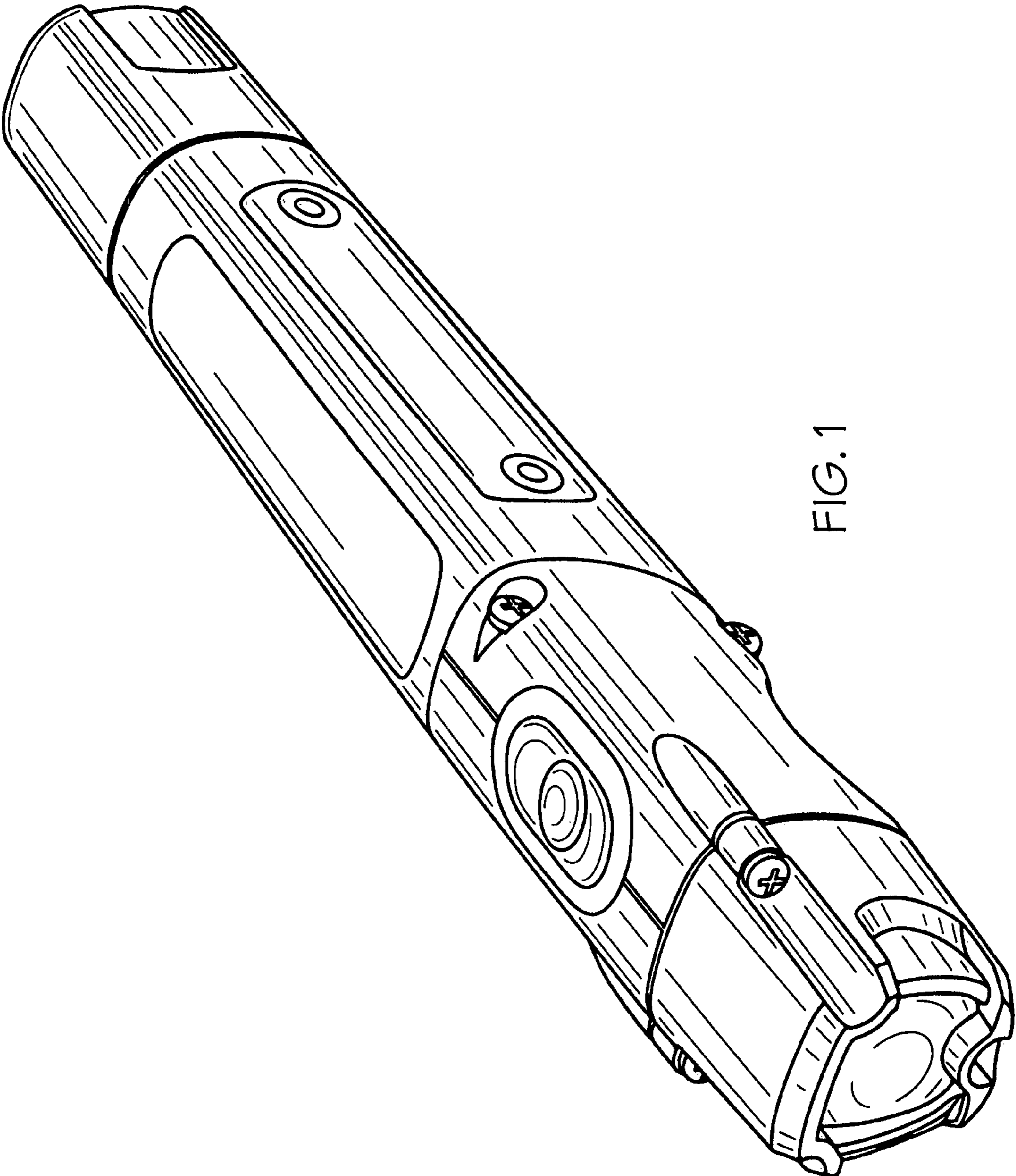


FIG. 1

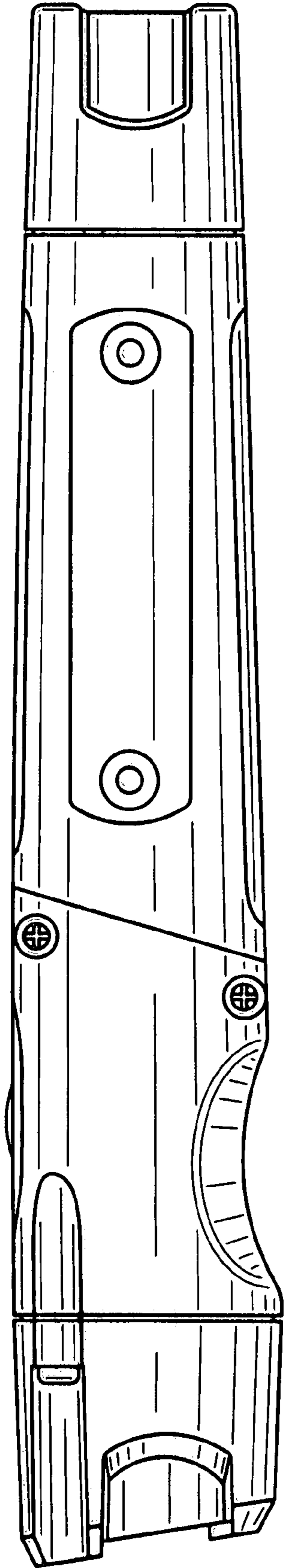


FIG. 2

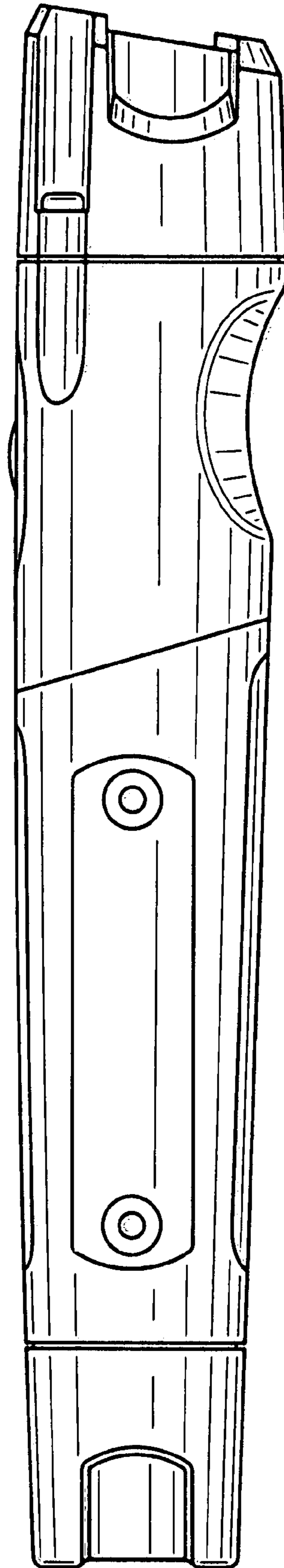


FIG. 3

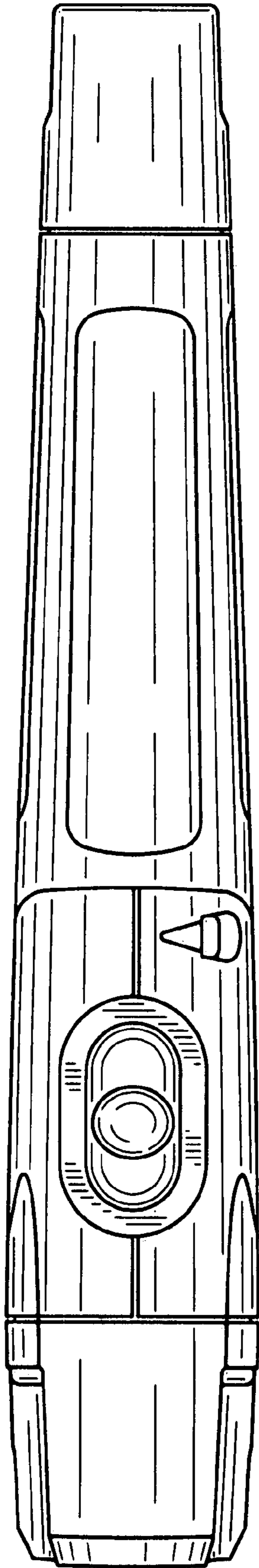


FIG. 4

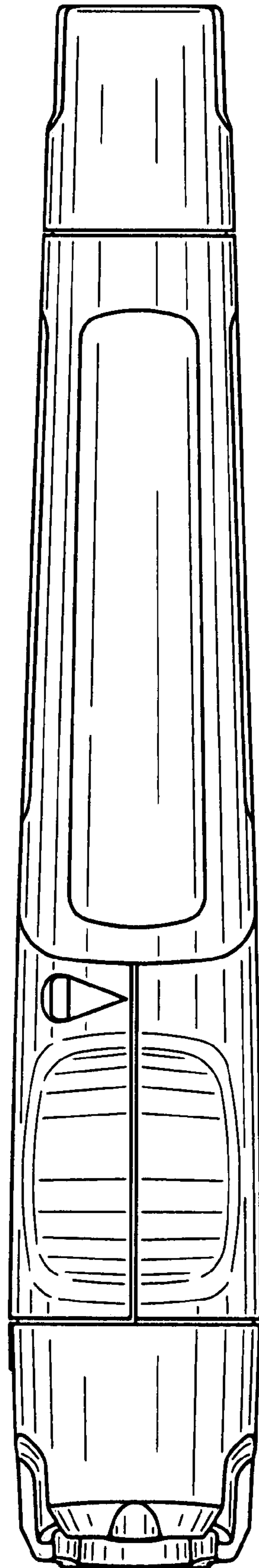


FIG. 5

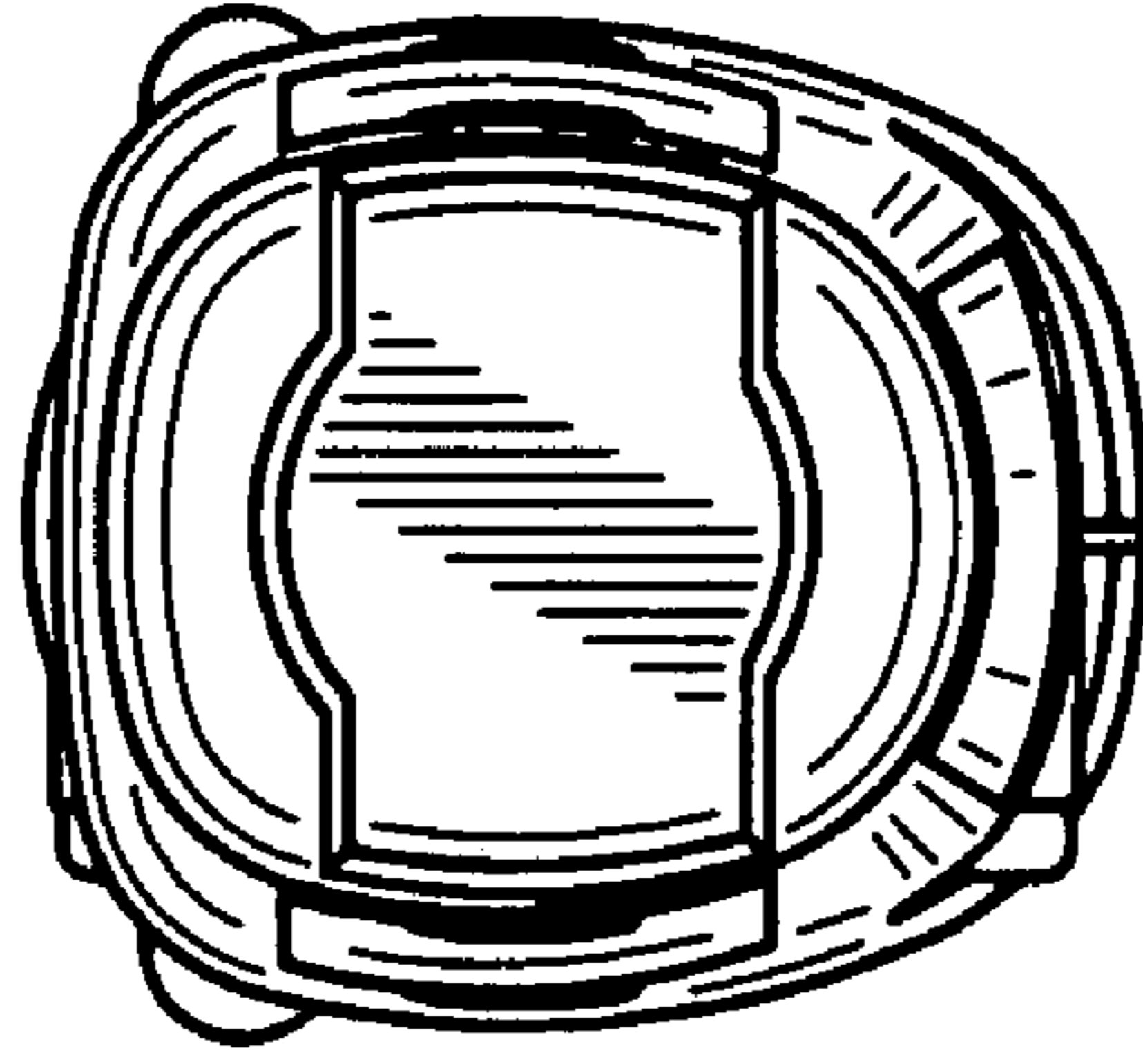


FIG. 7

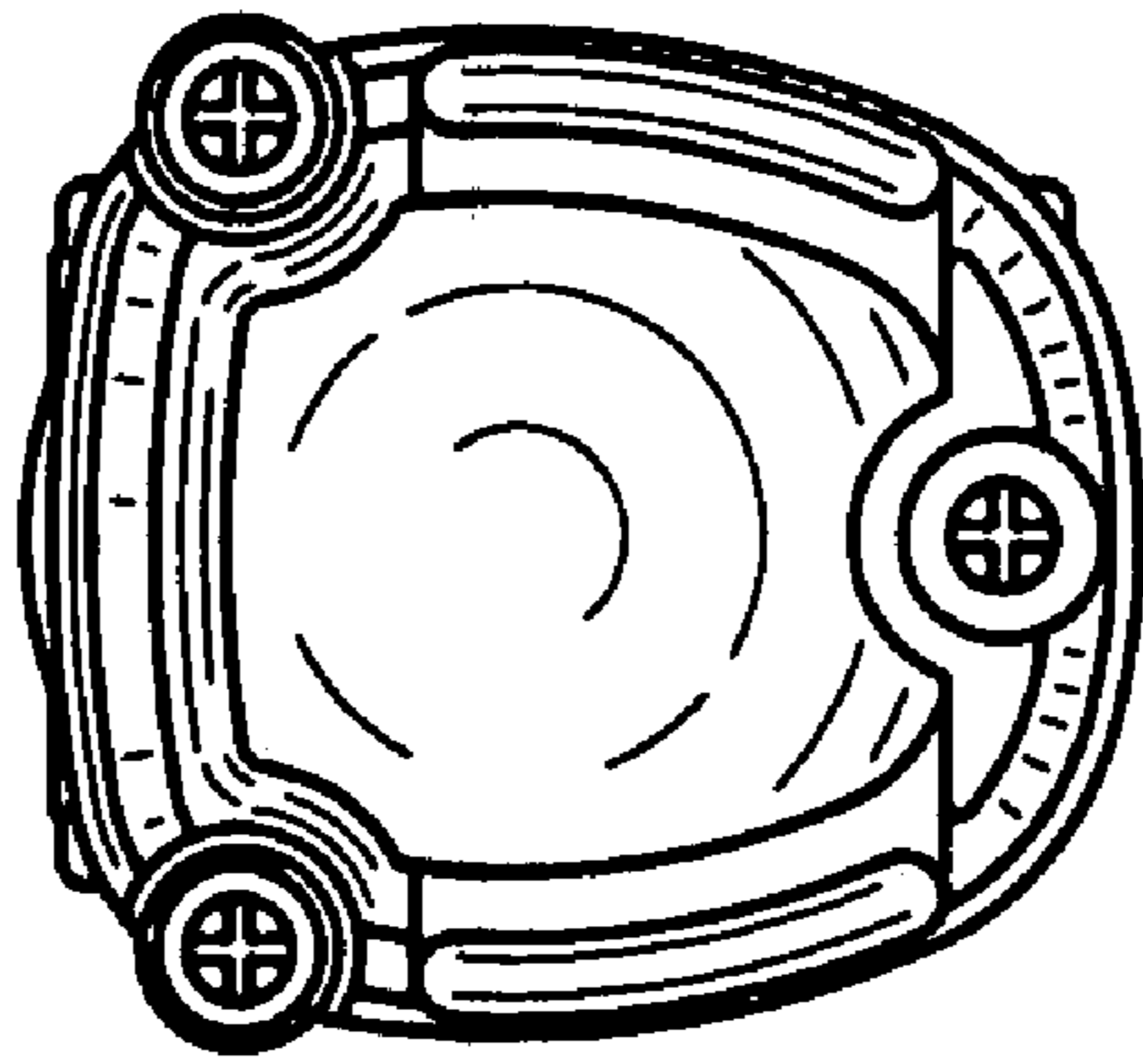


FIG. 6