



US00D562478S

(12) **United States Design Patent**
Hsu

(10) **Patent No.:** **US D562,478 S**
(45) **Date of Patent:** **** Feb. 19, 2008**

(54) **EXTERIOR SURFACE CONFIGURATION OF
A VEHICLE REAR LIGHT**

(76) Inventor: **Hong Ming Hsu**, No 152, Sec 2,
Funong St., East District, Tainan City
(TW) 701

(**) Term: **14 Years**

(21) Appl. No.: **29/291,879**

(22) Filed: **Sep. 18, 2007**

(51) **LOC (8) Cl.** **26-06**

(52) **U.S. Cl.** **D26/28**

(58) **Field of Classification Search** D26/28-36;
362/459-468, 475-478, 485-487
See application file for complete search history.

(56) **References Cited**

U.S. PATENT DOCUMENTS

D536,809 S * 2/2007 James D26/28
D550,380 S * 9/2007 Lin D26/28

* cited by examiner

Primary Examiner—Marcus A. Jackson
(74) *Attorney, Agent, or Firm*—Alexander Chen, Esq.

(57) **CLAIM**

The ornamental design for an exterior surface configuration of a vehicle rear light, as shown and described.

DESCRIPTION

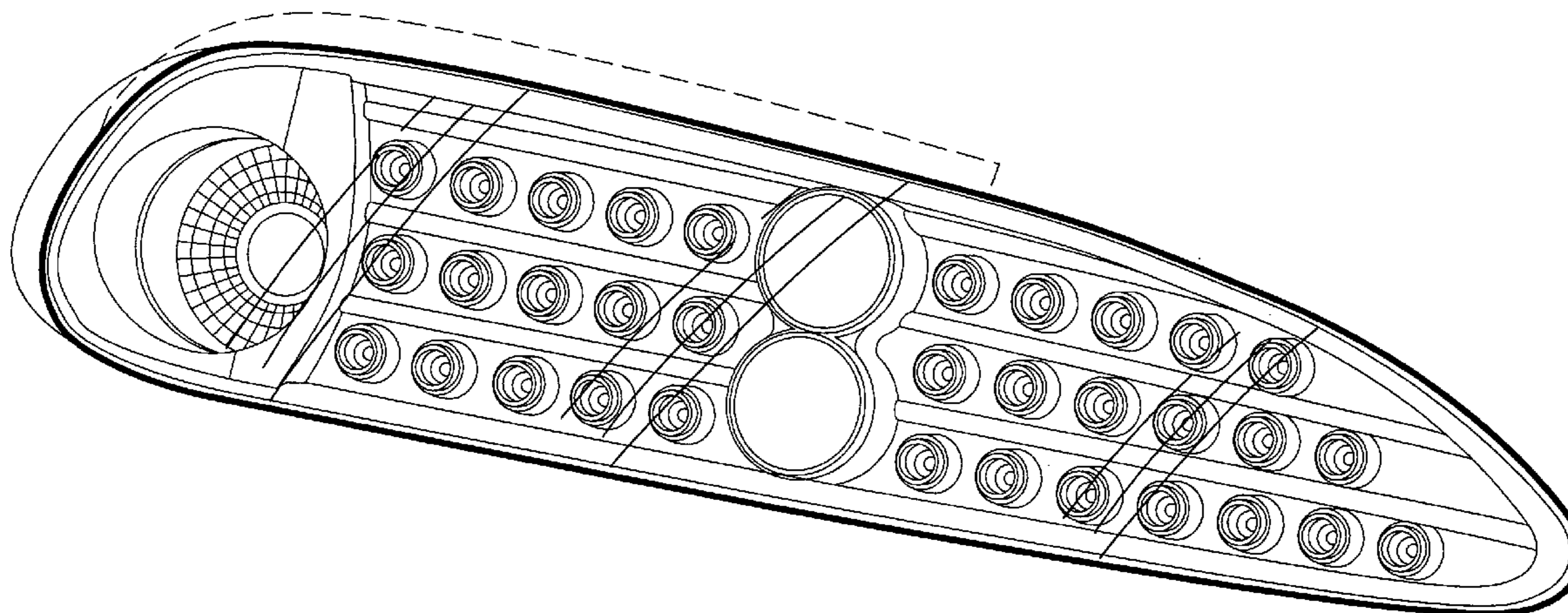
FIG. 1 is a perspective view of the front right of an exterior surface configuration of a vehicle rear light. The drawings and descriptions represent the right side embodiment. The design also contemplates a mirror symmetrical embodiment on the left side of the vehicle. The dash line included denotes environment and is not part of the claimed design.

FIG. 2 is a front elevation view thereof;

FIG. 3 is a right elevation view thereof, and,

FIG. 4 is a top view thereof.

1 Claim, 4 Drawing Sheets



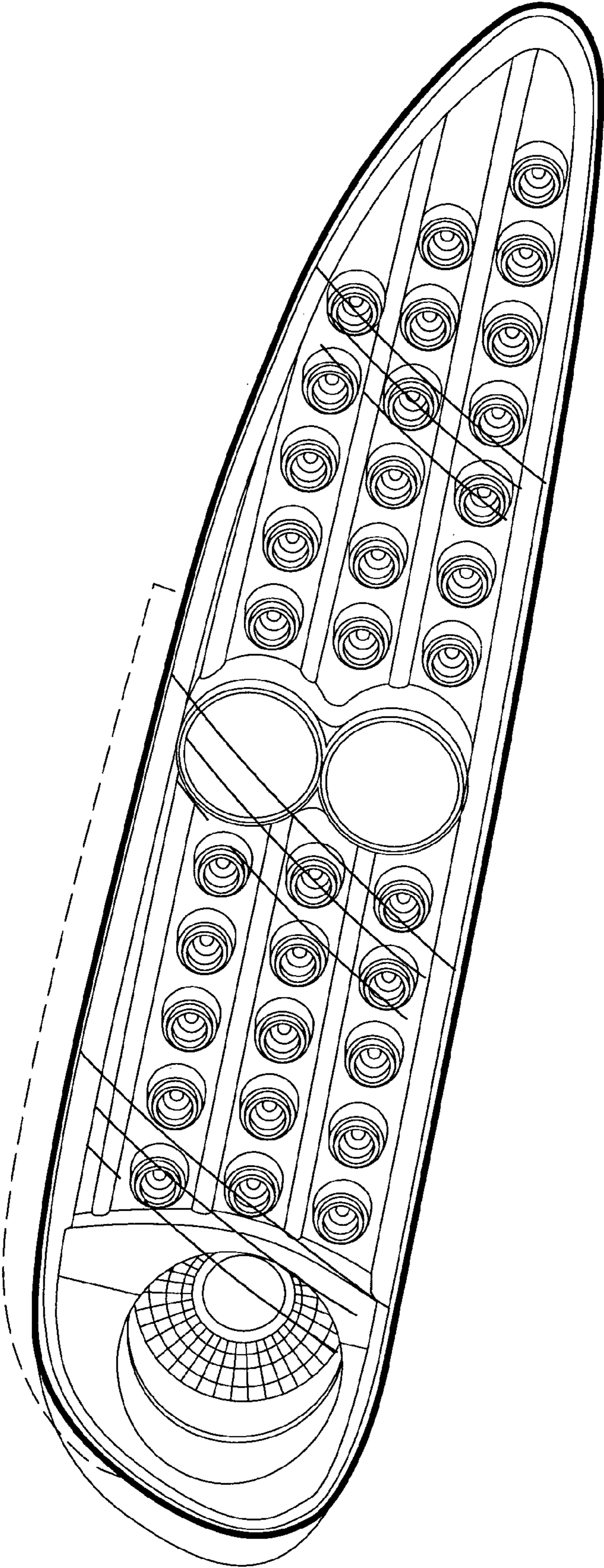


FIG. 1

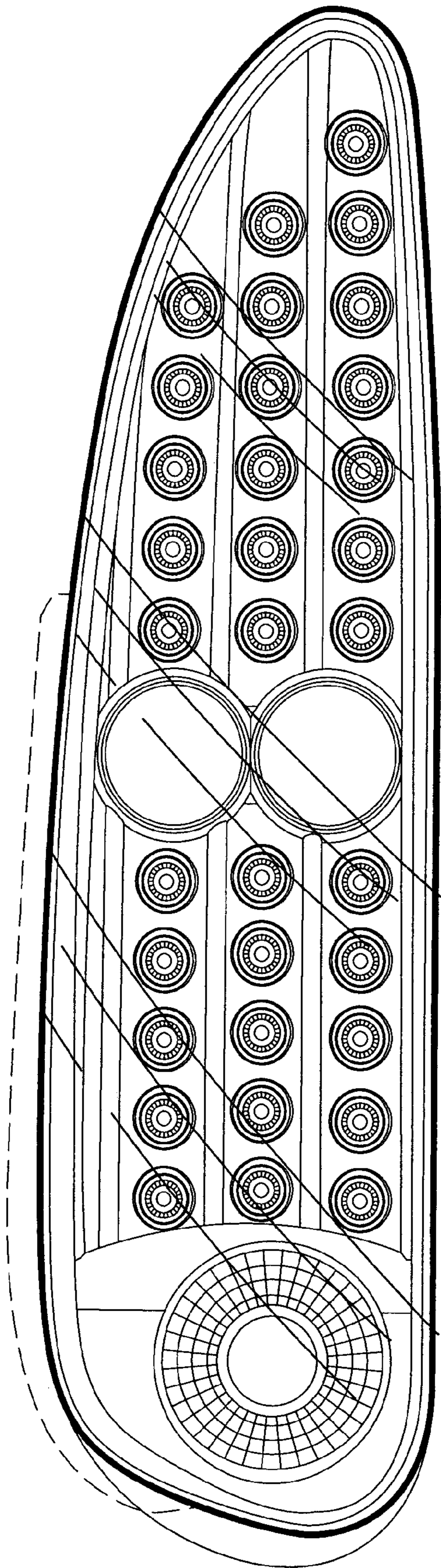


FIG. 2

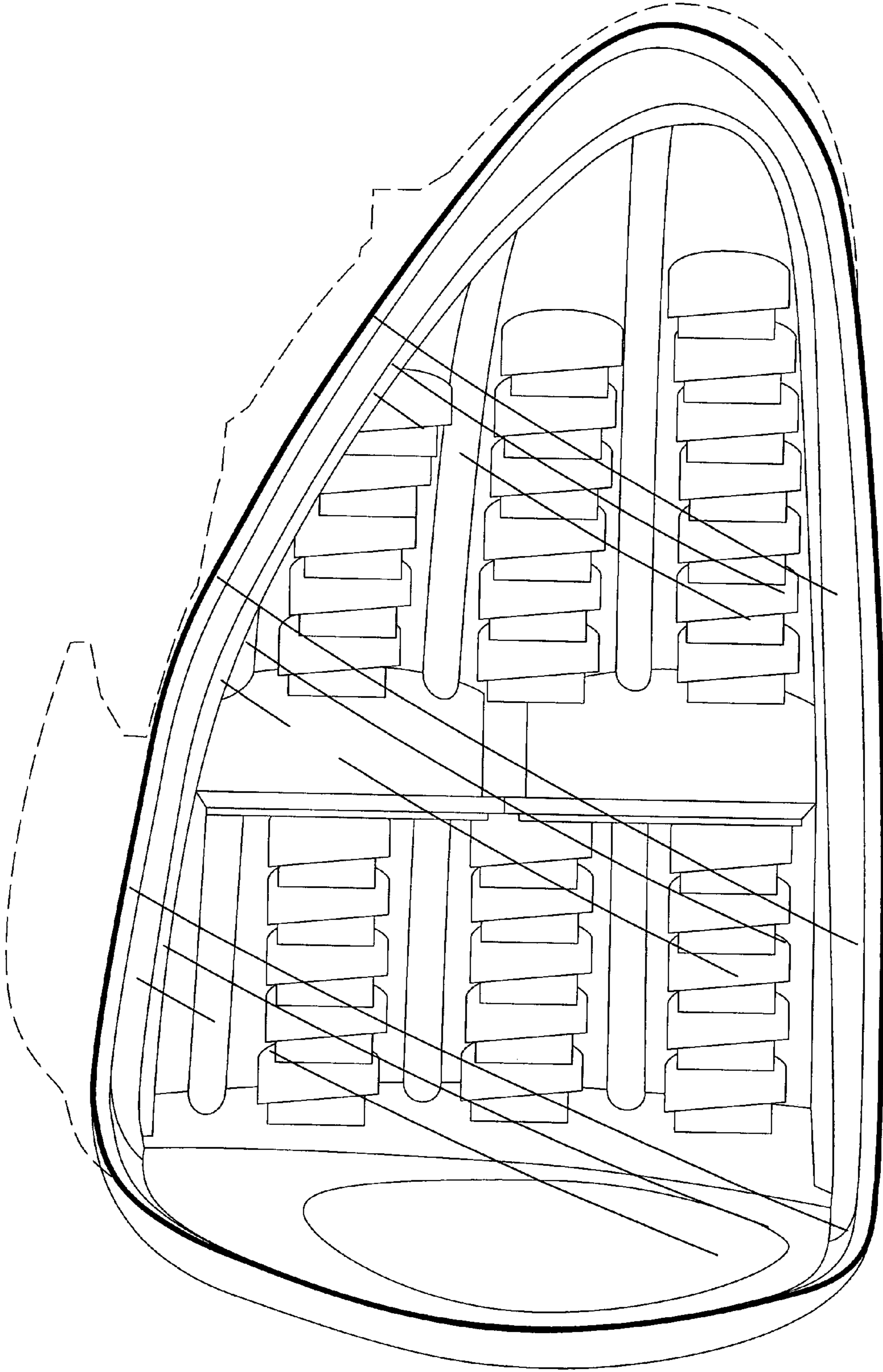


FIG. 3

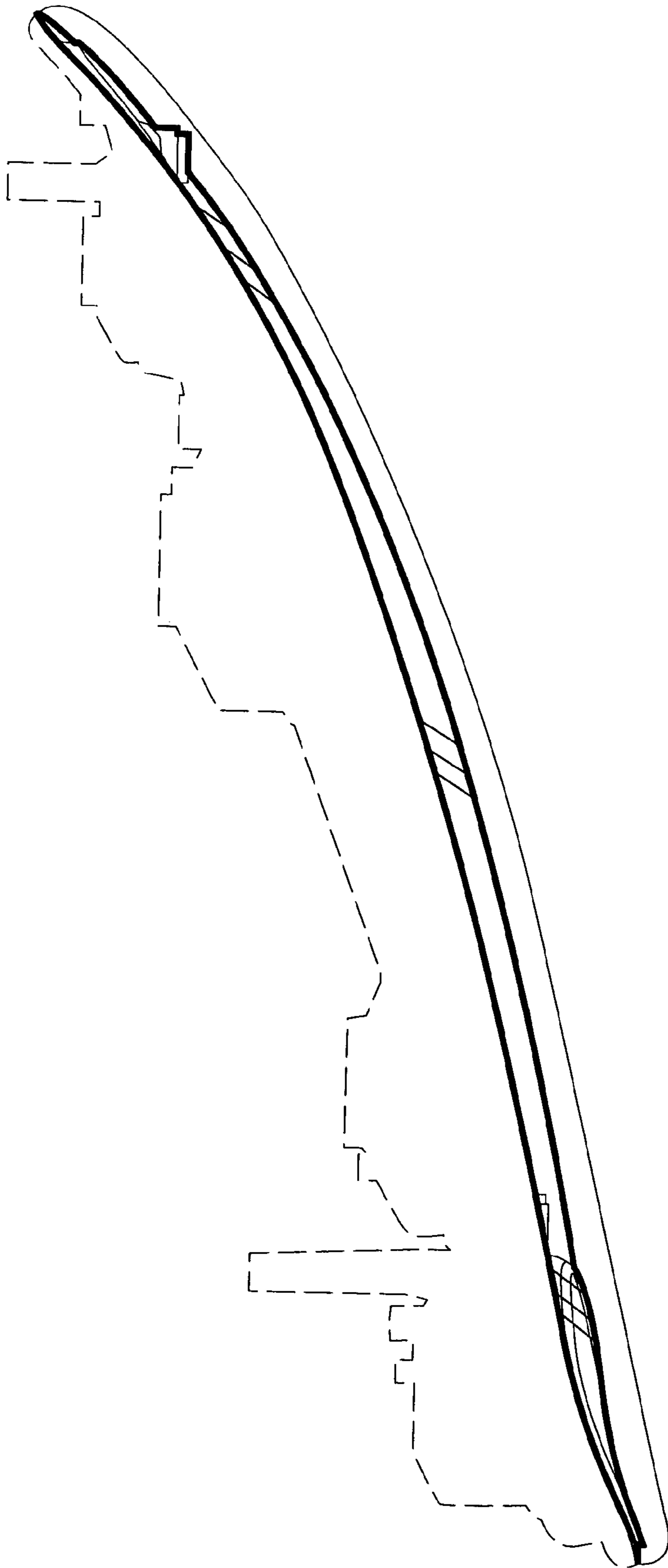


FIG. 4