

US00D562476S

(12) **United States Design Patent**
Hamada

(10) **Patent No.:** **US D562,476 S**

(45) **Date of Patent:** **** Feb. 19, 2008**

(54) **ROOM LAMP FOR AUTOMOBILE**

(75) Inventor: **Noriko Hamada**, Saitama (JP)

(73) Assignee: **BRM21 Co., Ltd.**, Saitama (JP)

(**) Term: **14 Years**

(21) Appl. No.: **29/259,200**

(22) Filed: **May 4, 2006**

(30) **Foreign Application Priority Data**

Nov. 9, 2005 (JP) 2005-032888

(51) **LOC (8) Cl.** **26-06**

(52) **U.S. Cl.** **D26/28**

(58) **Field of Classification Search** D26/28-36;
362/61, 80, 81, 82, 83, 267, 269, 459-468,
362/475-478, 485-487

See application file for complete search history.

(56) **References Cited**

U.S. PATENT DOCUMENTS

D365,036 S * 12/1995 Jones D10/109

D376,662 S * 12/1996 Ambrosio D26/28

D388,894 S * 1/1998 Yeh D26/28
D426,329 S * 6/2000 Wang Cheng D26/28
D457,981 S * 5/2002 Yeh D26/76

* cited by examiner

Primary Examiner—Marcus A. Jackson

(74) *Attorney, Agent, or Firm*—Mathews, Shepherd, McKay & Bruneau, PA

(57) **CLAIM**

I claim, the ornamental design for a room lamp for automobile, as shown and described.

DESCRIPTION

FIG. 1 is a front elevational view of a room lamp for automobile showing my new design, with the portions broken away to indicate indeterminate length;

FIG. 2 is a rear elevational view thereof;

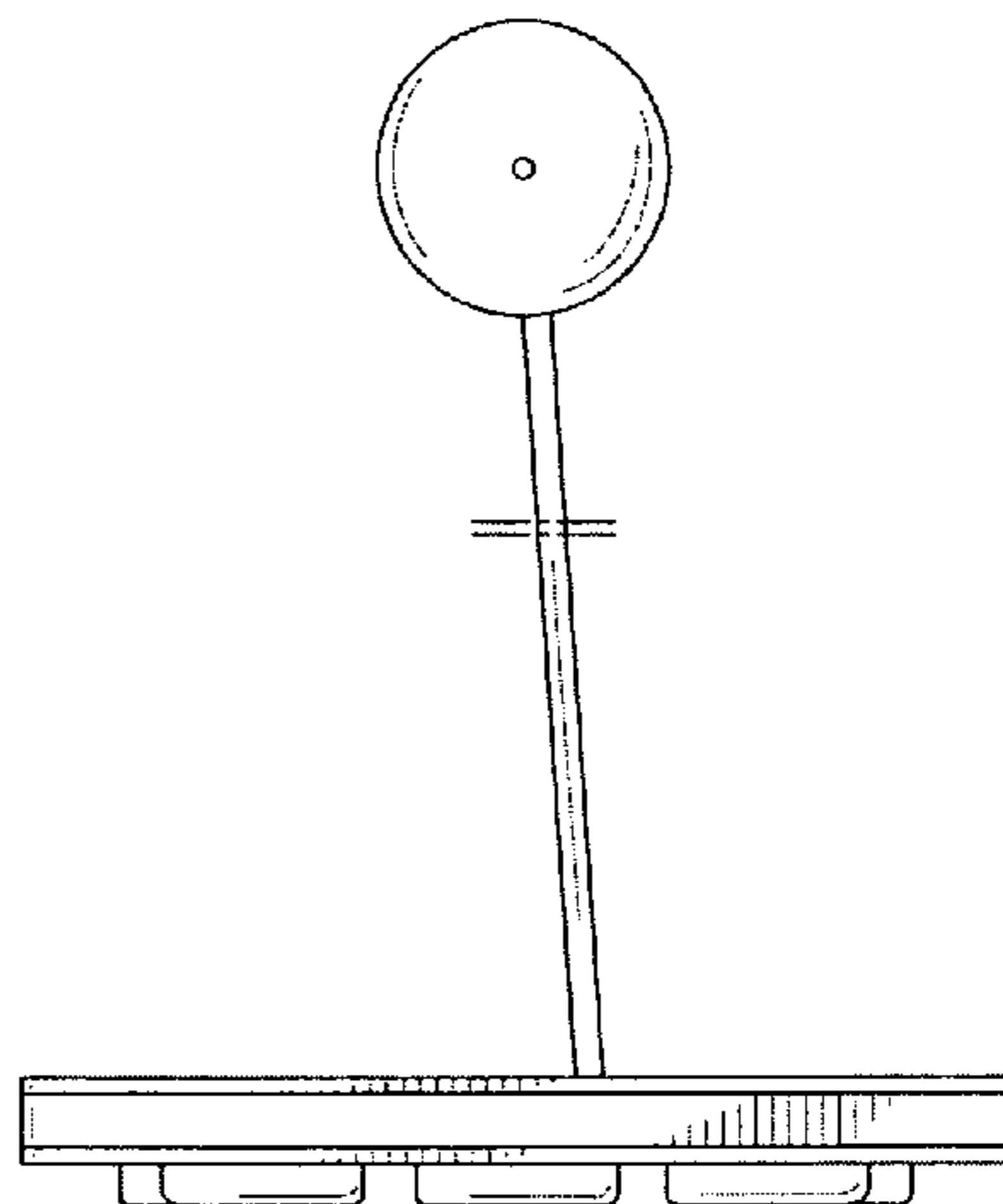
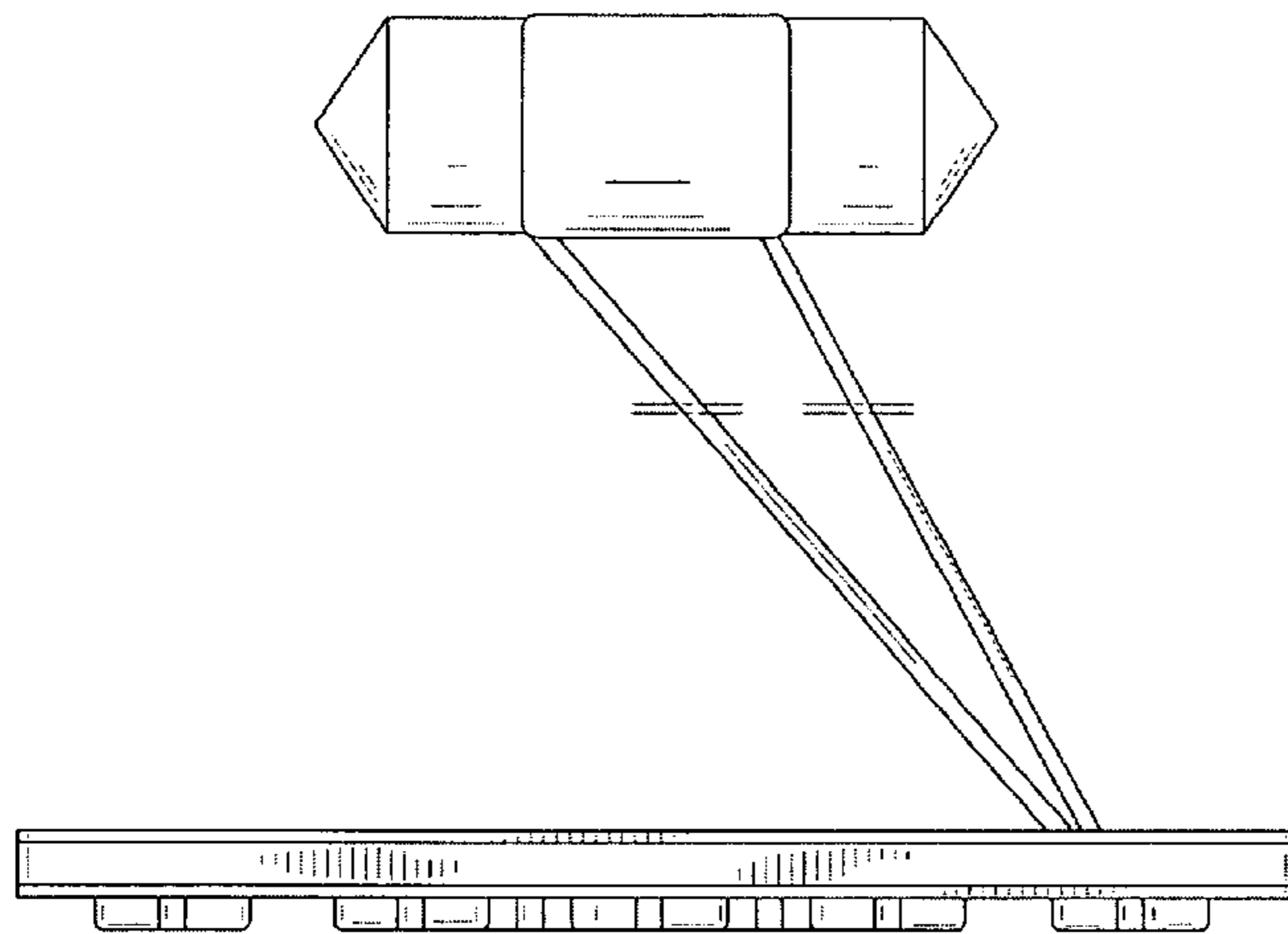
FIG. 3 is a top plan view thereof;

FIG. 4 is a bottom plan view thereof;

FIG. 5 is a right side view thereof; and,

FIG. 6 is a left side view thereof.

1 Claim, 3 Drawing Sheets



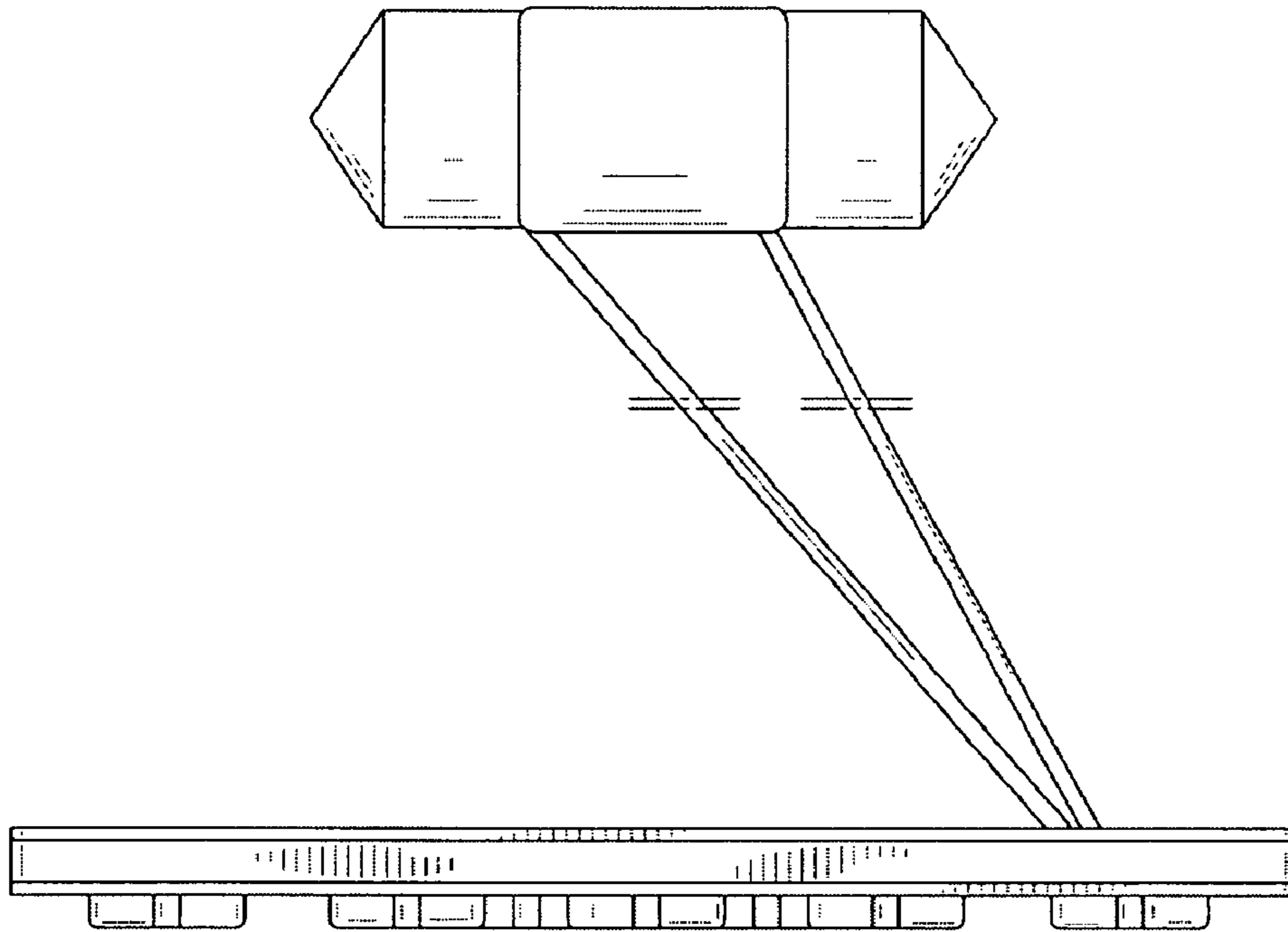


FIG. 1

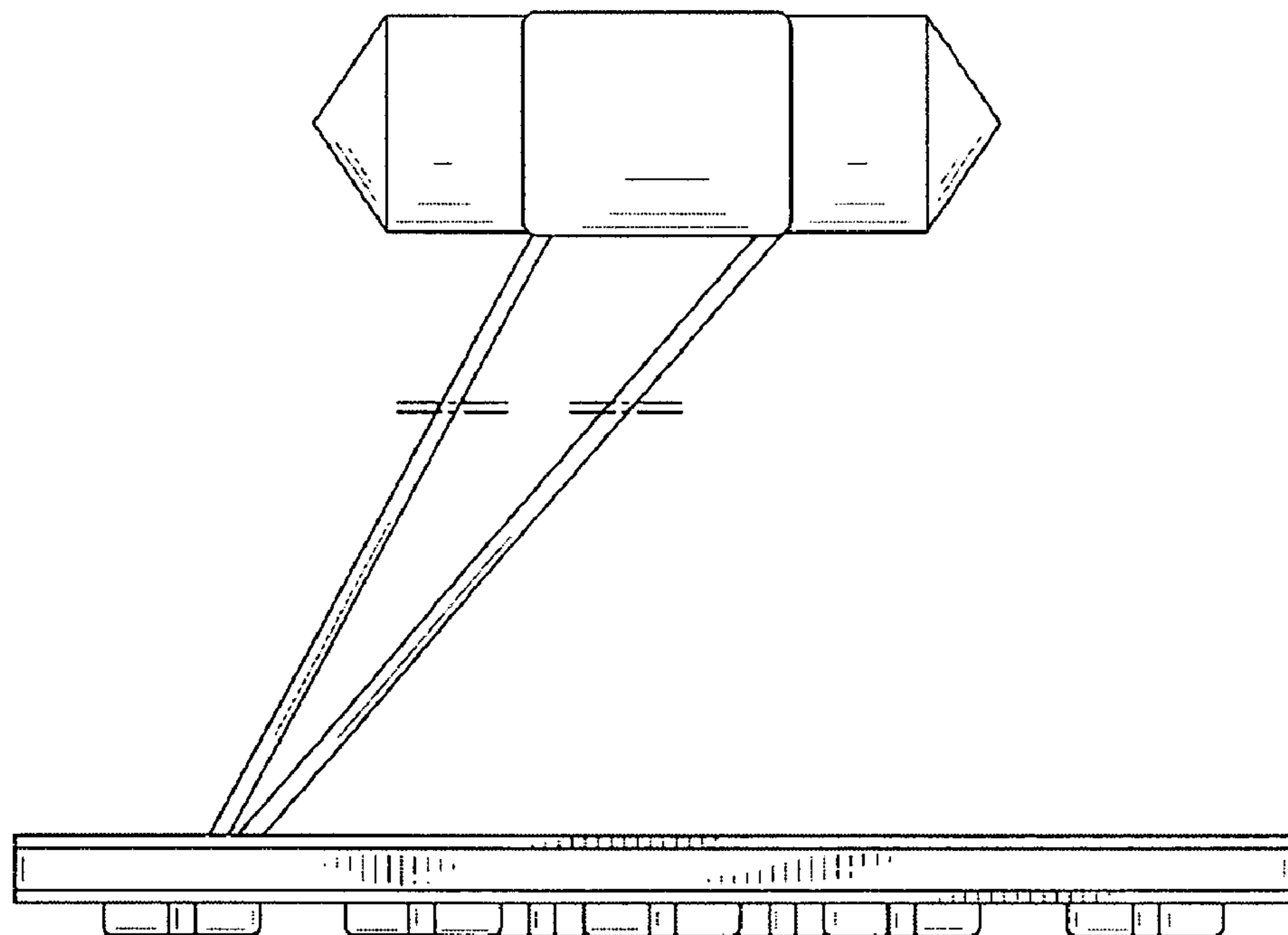


FIG. 2

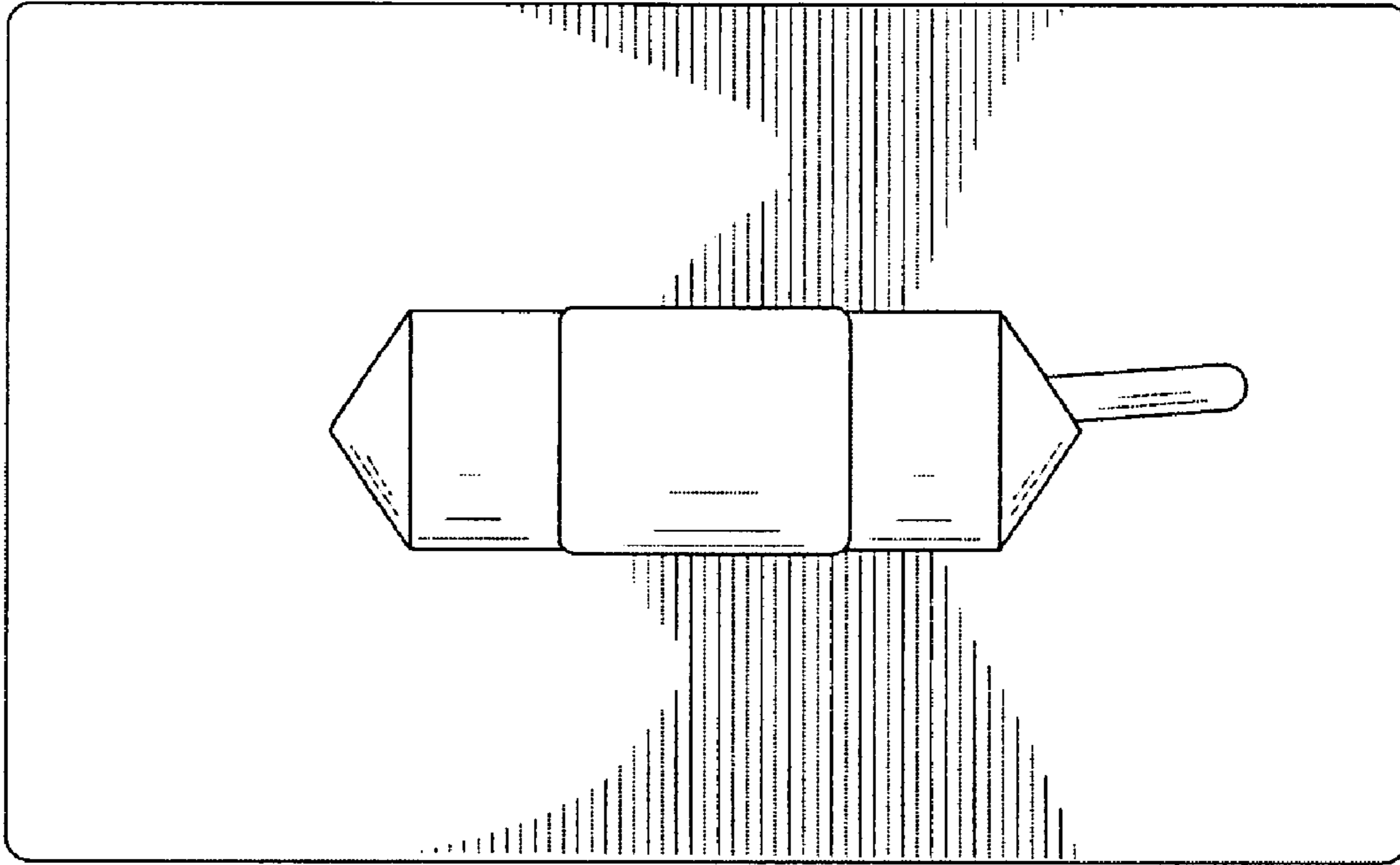


FIG. 3

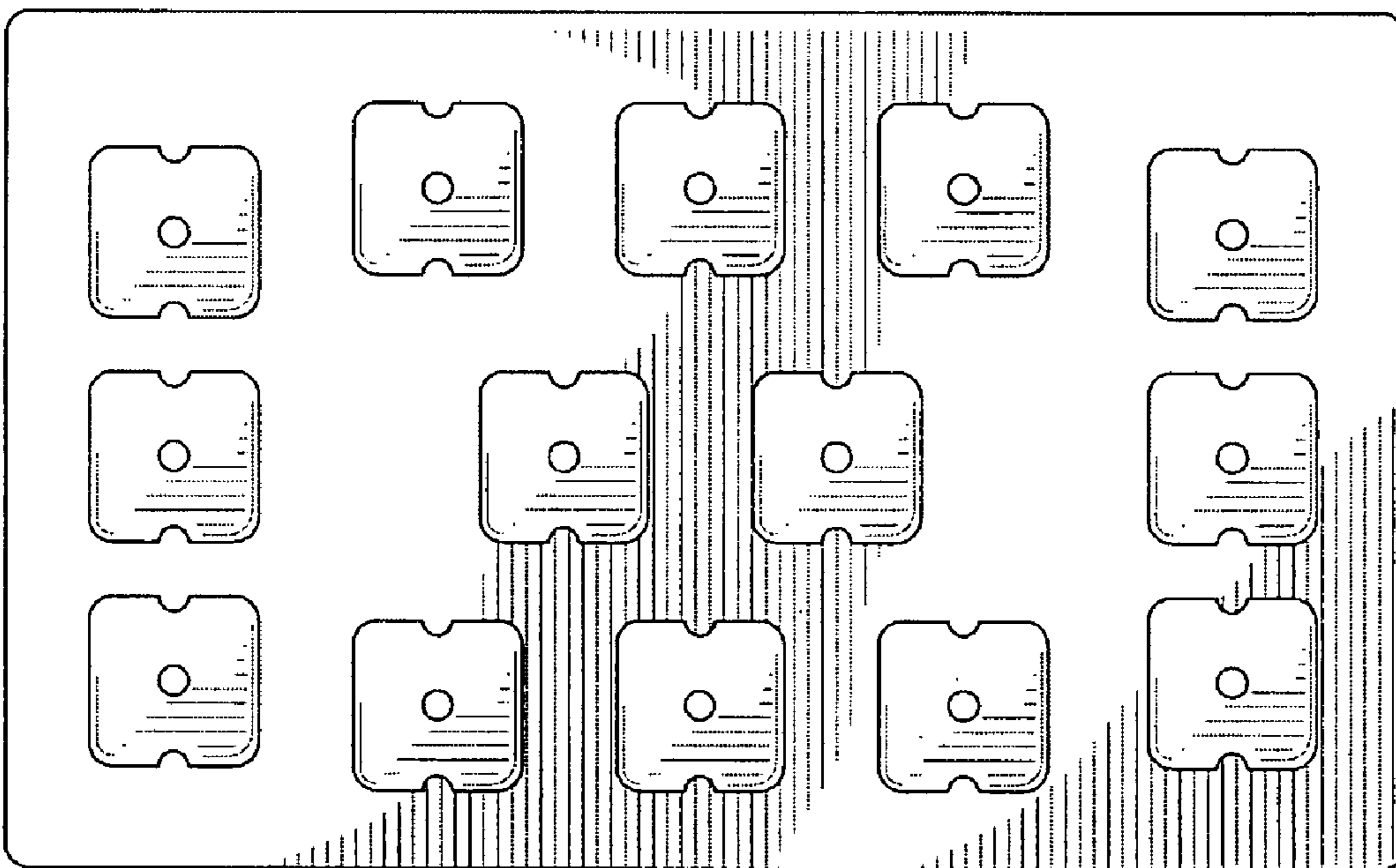


FIG. 4

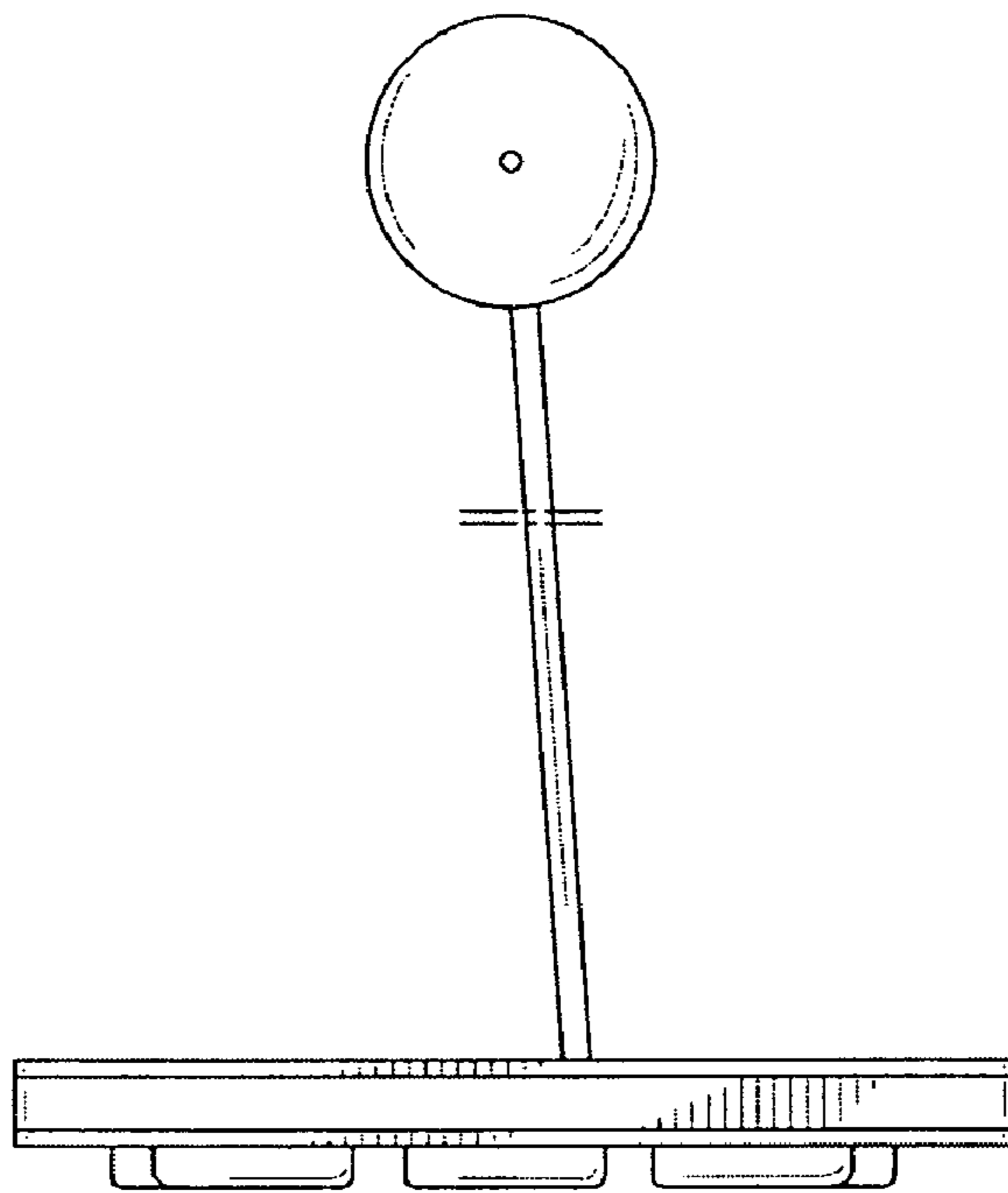


FIG. 5

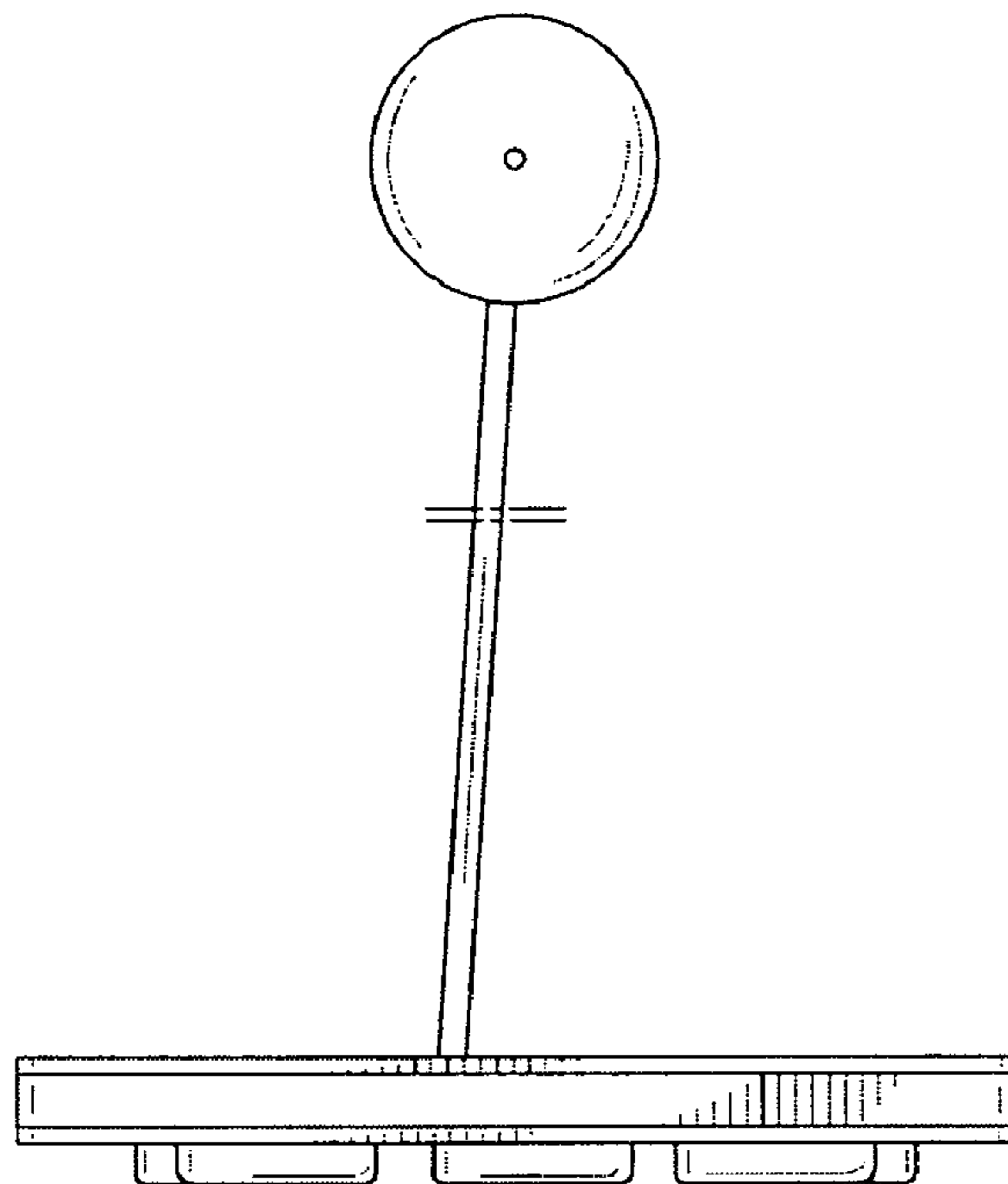


FIG. 6