



US00D562473S

(12) **United States Design Patent**
Matsui et al.

(10) **Patent No.:** **US D562,473 S**

(45) **Date of Patent:** **** Feb. 19, 2008**

(54) **LIGHT EMITTING DIODE LAMP UNIT**

(75) Inventors: **Nobuyuki Matsui**, Ibaraki (JP); **Hideo Nagai**, Takatsuki (JP); **Kenji Mukai**, Shijonawate (JP); **Masanori Shimizu**, Kyotanabe (JP)

(73) Assignee: **Matsushita Electric Industrial Co., Ltd.**, Osaka (JP)

(**) Term: **14 Years**

(21) Appl. No.: **29/219,415**

(22) Filed: **Dec. 16, 2004**

(30) **Foreign Application Priority Data**

Jun. 18, 2004 (JP) 2004-018311
Jun. 18, 2004 (JP) 2004-018318
Jun. 18, 2004 (JP) 2004-018319

(51) **LOC (8) Cl.** **26-05**

(52) **U.S. Cl.** **D26/24; D26/1**

(58) **Field of Classification Search** D26/2,
D26/80, 86, 138, 1, 24; D13/180, 182; 313/512;
362/555, 612, 800, 231, 235, 237, 240, 241,
362/249, 545; 345/83

See application file for complete search history.

(56) **References Cited**

U.S. PATENT DOCUMENTS

D245,240 S * 8/1977 Sut D26/80
D246,203 S * 10/1977 Harris D26/80
D262,405 S 12/1981 Zabransky
5,808,592 A 9/1998 Mizutani et al.
6,220,722 B1 4/2001 Begemann
6,502,956 B1 1/2003 Wu
D474,848 S 5/2003 Lodhie
6,659,632 B2 12/2003 Chen
D494,286 S 8/2004 Matsui et al.
D494,287 S 8/2004 Matsui et al.
D494,288 S 8/2004 Matsui et al.
D494,687 S 8/2004 Matsui et al.
2003/0025450 A1* 2/2003 Katayama et al. 313/512

2003/0117803 A1* 6/2003 Chen 362/276
2003/0189829 A1* 10/2003 Shimizu et al. 362/240
2006/0087843 A1* 4/2006 Setomoto et al. 362/249

FOREIGN PATENT DOCUMENTS

JP D 1182538 8/2003
JP D 1182540 8/2003
JP D 1182541 8/2003
JP D 1182542 8/2003
JP D 1182543 8/2003
JP D 1183708 9/2003
JP D 1190712 11/2003
JP D1191624 12/2003

* cited by examiner

Primary Examiner—Clare E Heflin

(74) *Attorney, Agent, or Firm*—Brinks Hofer Gilson & Lione

(57) **CLAIM**

We claim the ornamental design for a light emitting diode lamp unit, as shown and described.

DESCRIPTION

FIG. 1 is a top perspective view of a first embodiment of a light emitting diode lamp unit of the present invention;

FIG. 2 is a top view thereof;

FIG. 3 is a bottom view thereof;

FIG. 4 is a first side view thereof, wherein the second side view is a mirror image thereof;

FIG. 5 is a third side view thereof, wherein the fourth side view is a mirror image thereof;

FIG. 6 is a top perspective view of a second embodiment of a light emitting diode lamp unit of the present invention;

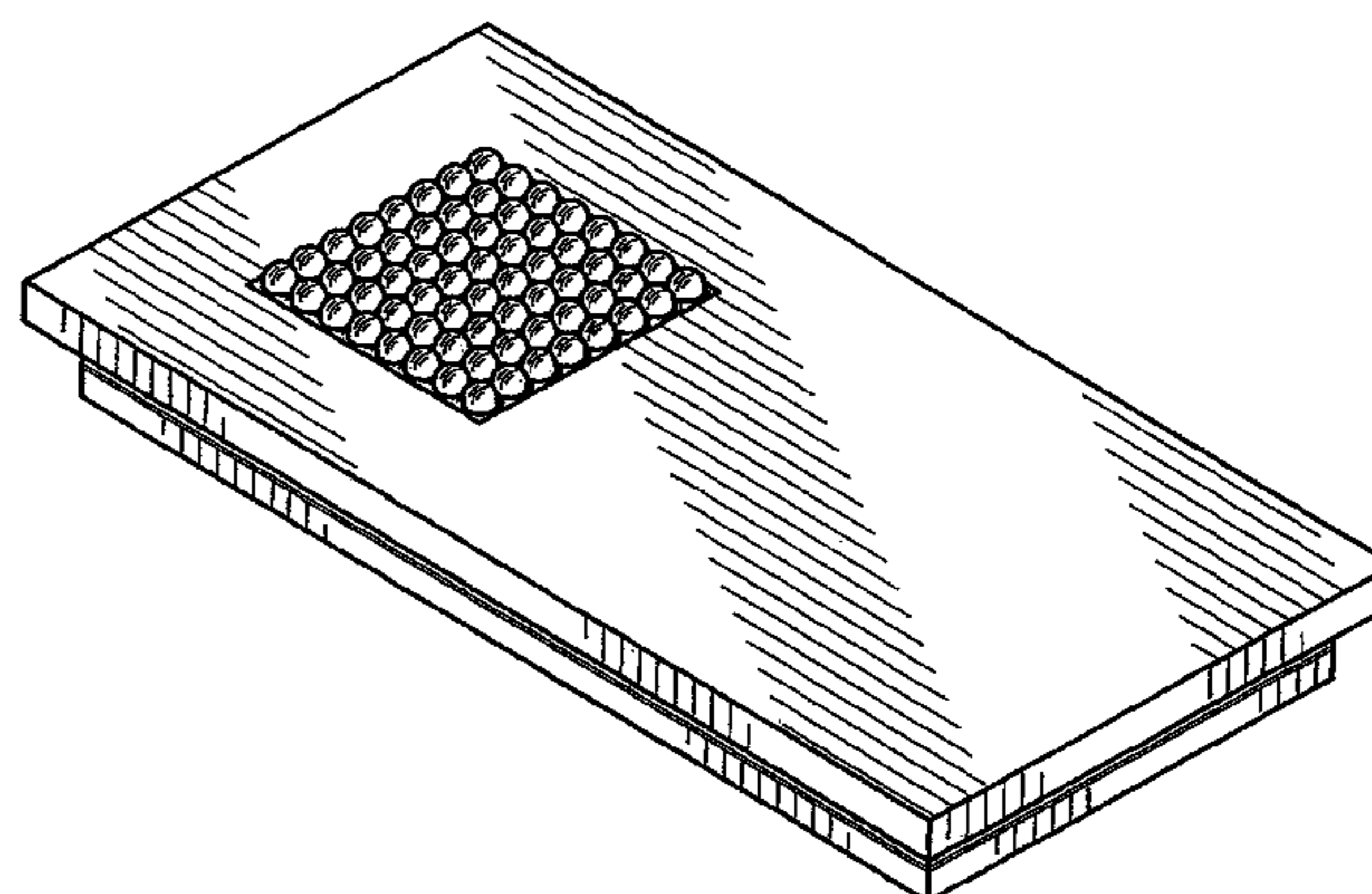
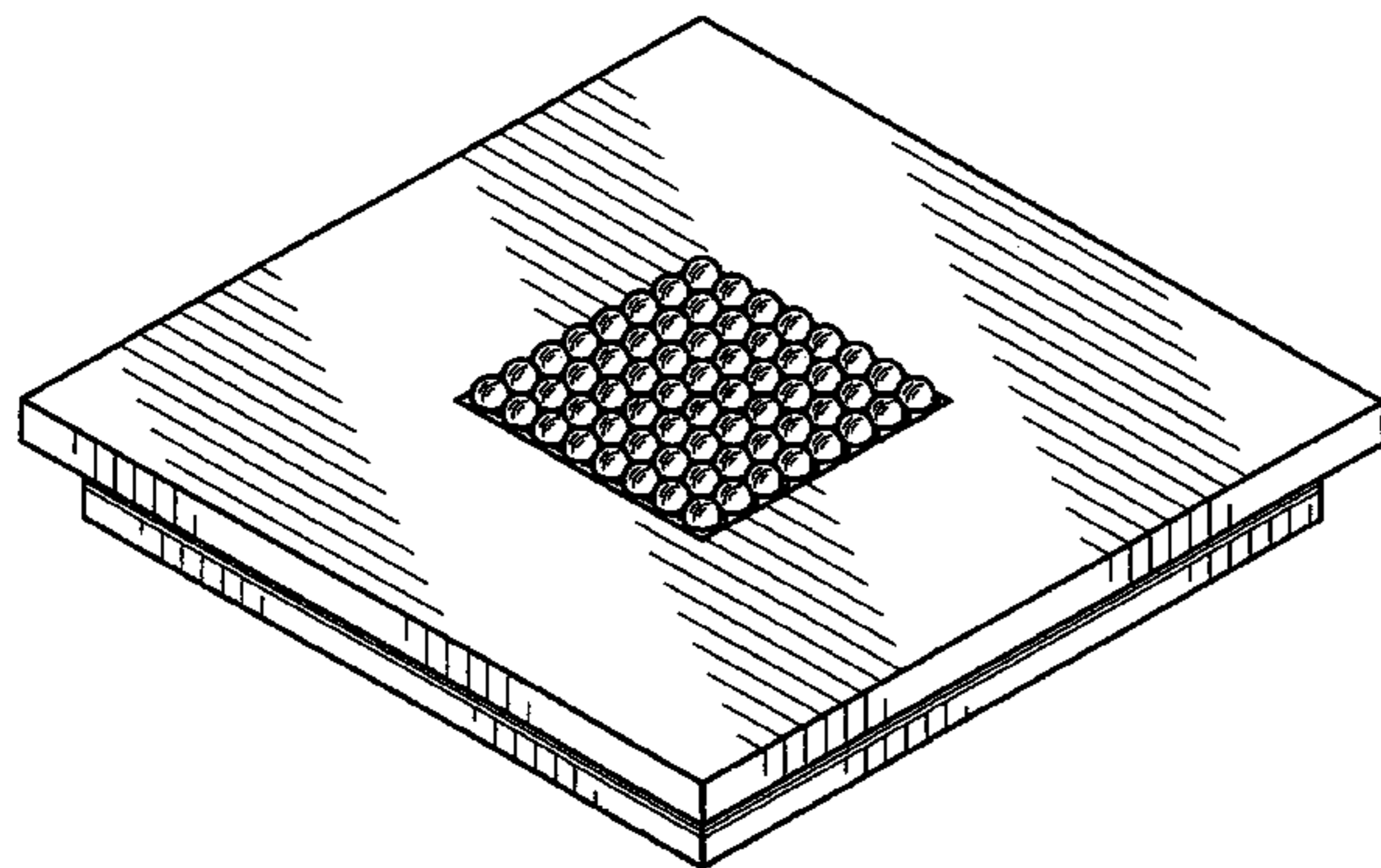
FIG. 7 is a top view thereof;

FIG. 8 is a bottom view thereof;

FIG. 9 is a first side view thereof, wherein the second side view is a mirror image thereof; and,

FIG. 10 is a third side view thereof, wherein the fourth side view is a mirror image thereof.

1 Claim, 10 Drawing Sheets



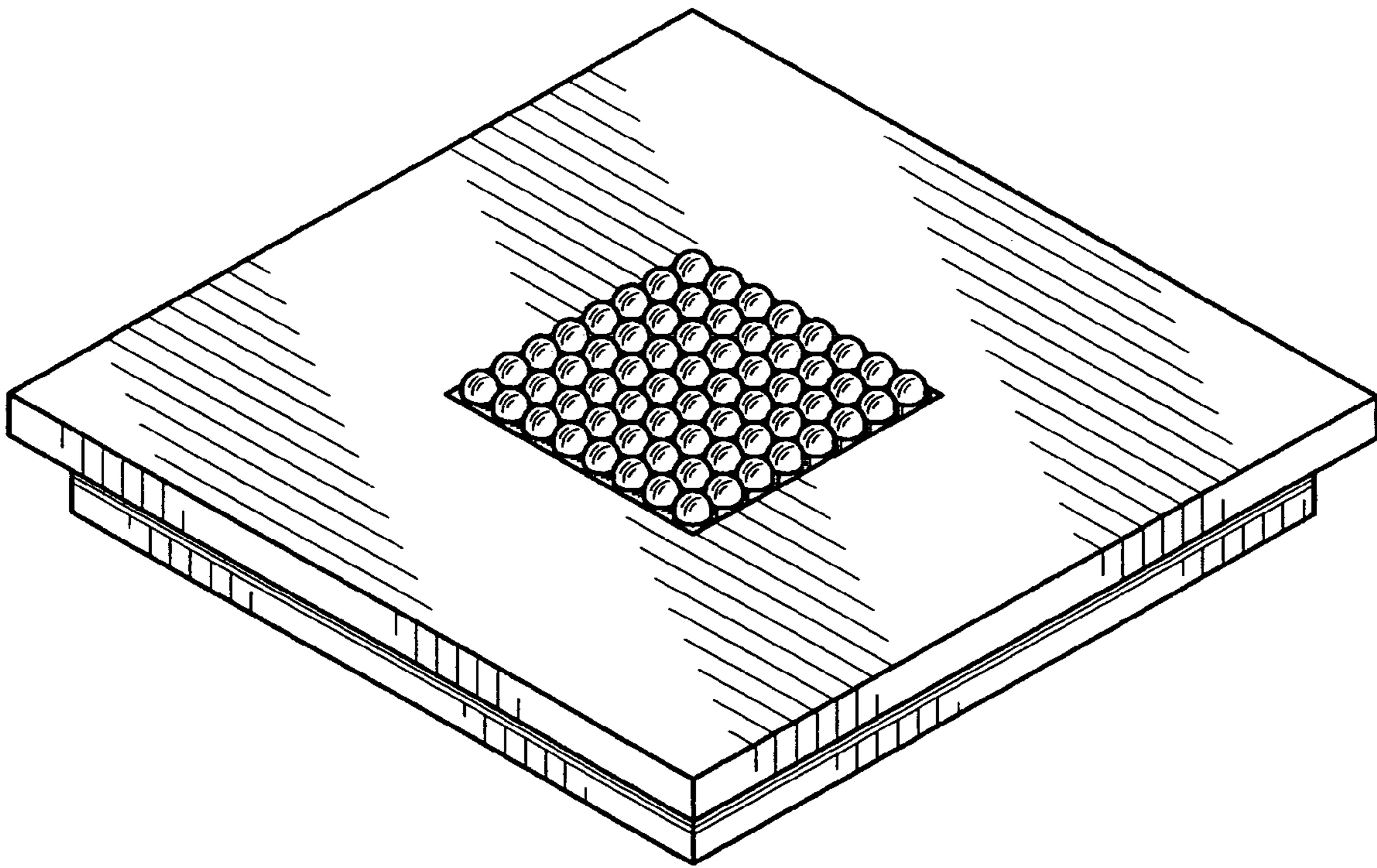


FIG. 1

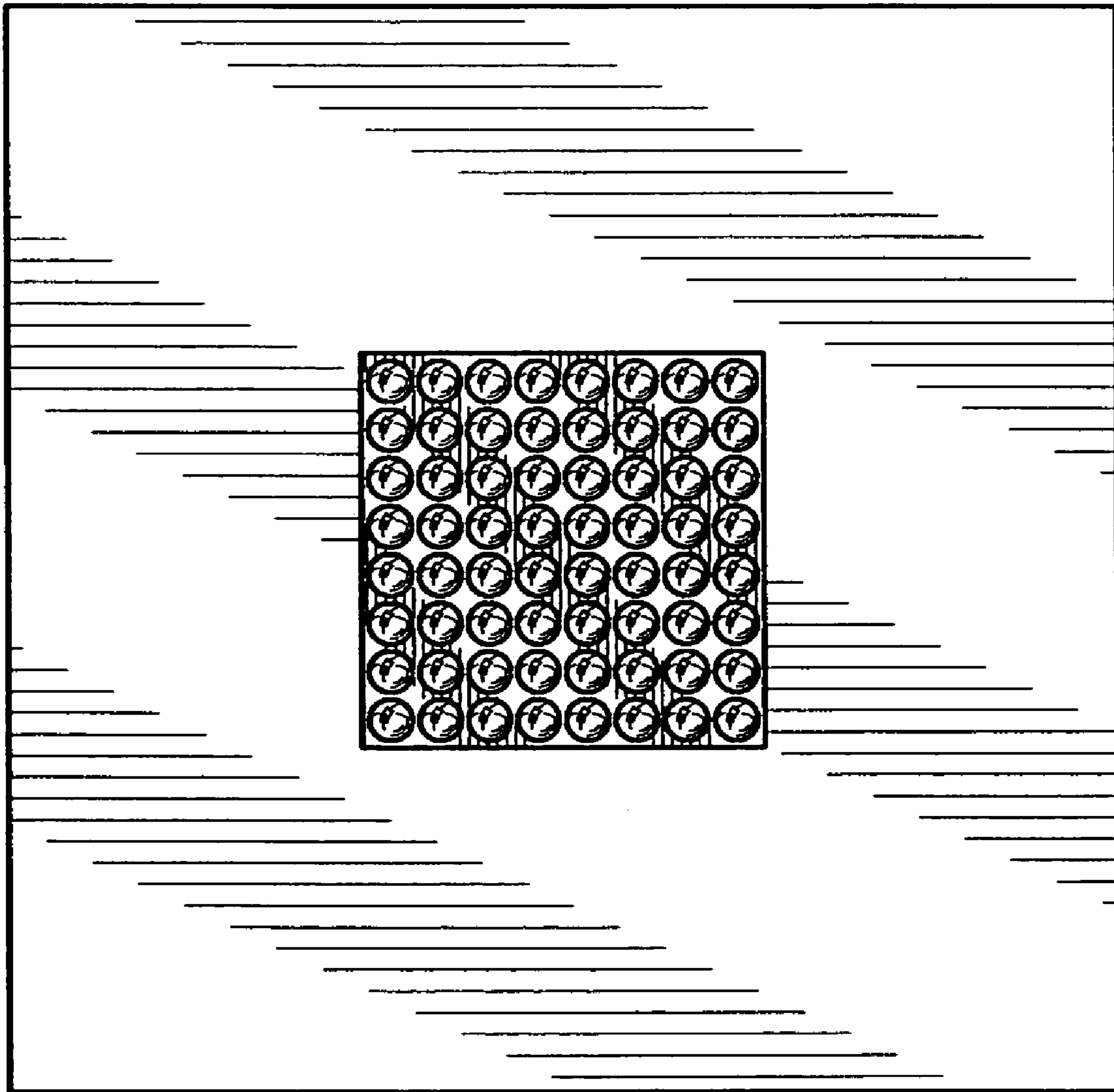


FIG. 2

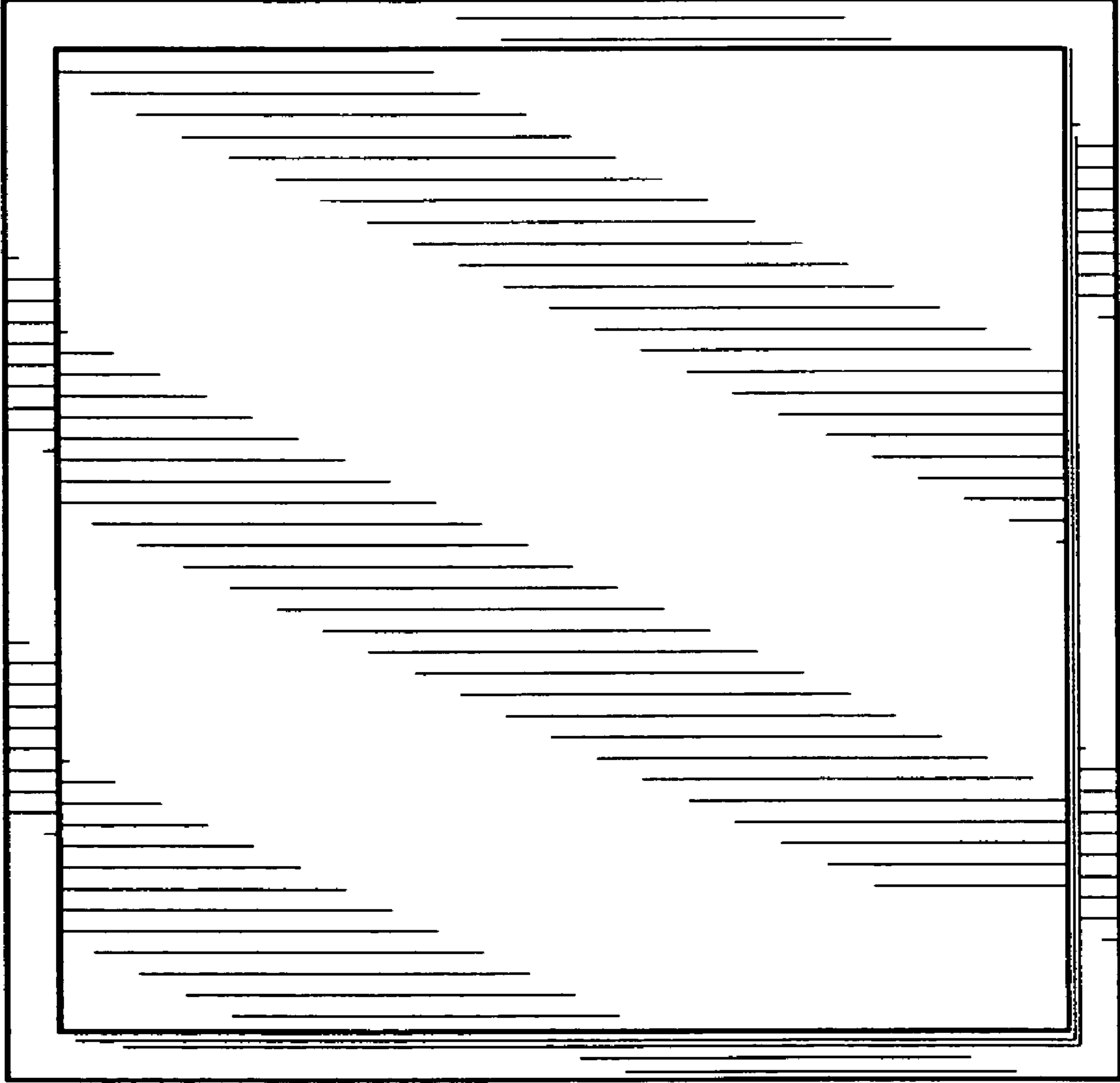


FIG. 3

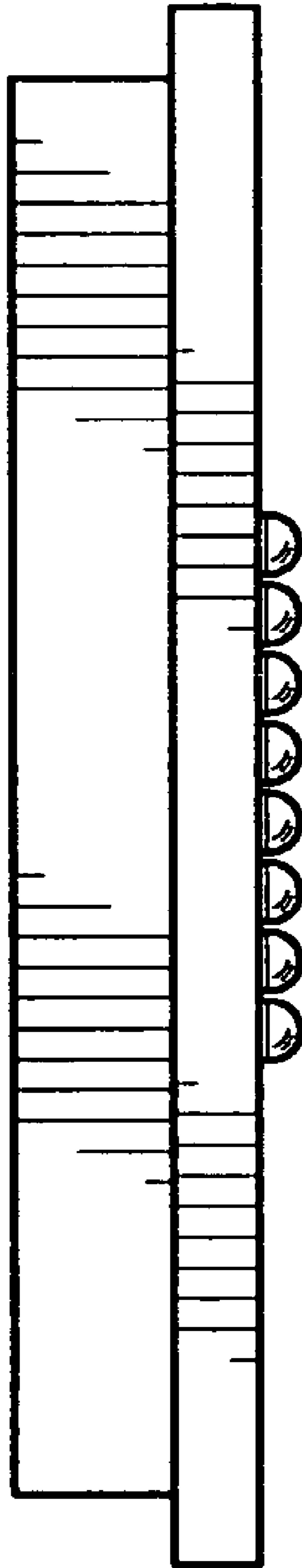


FIG. 4

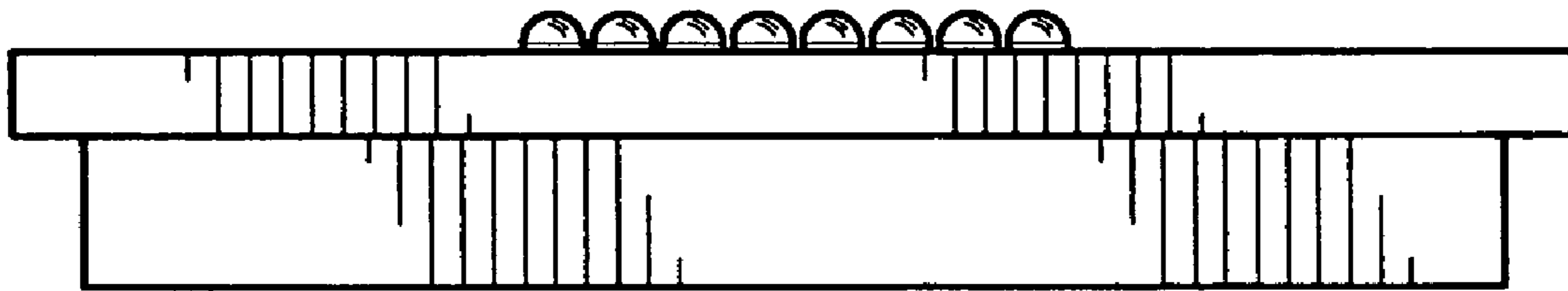


FIG. 5

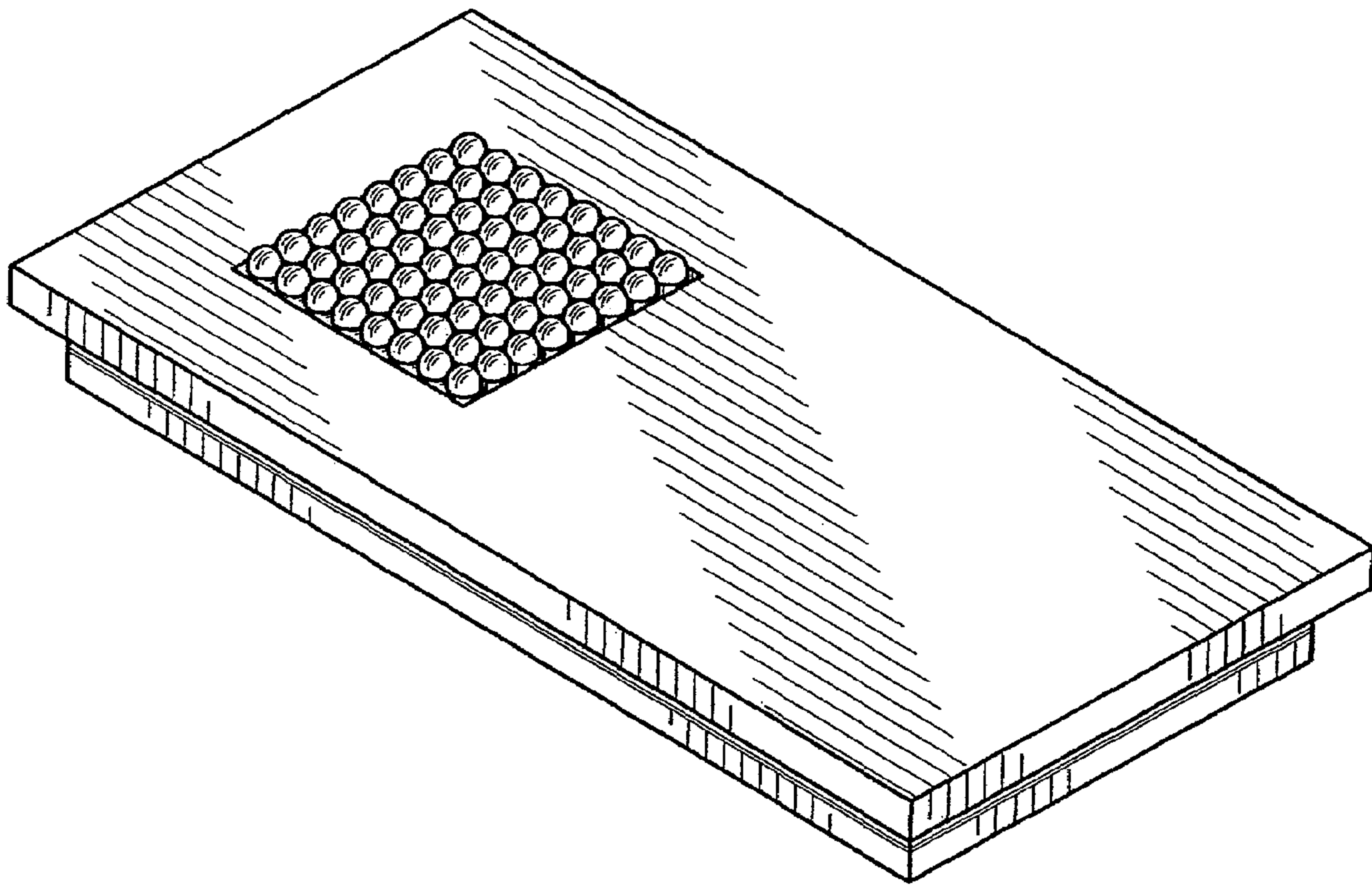


FIG. 6

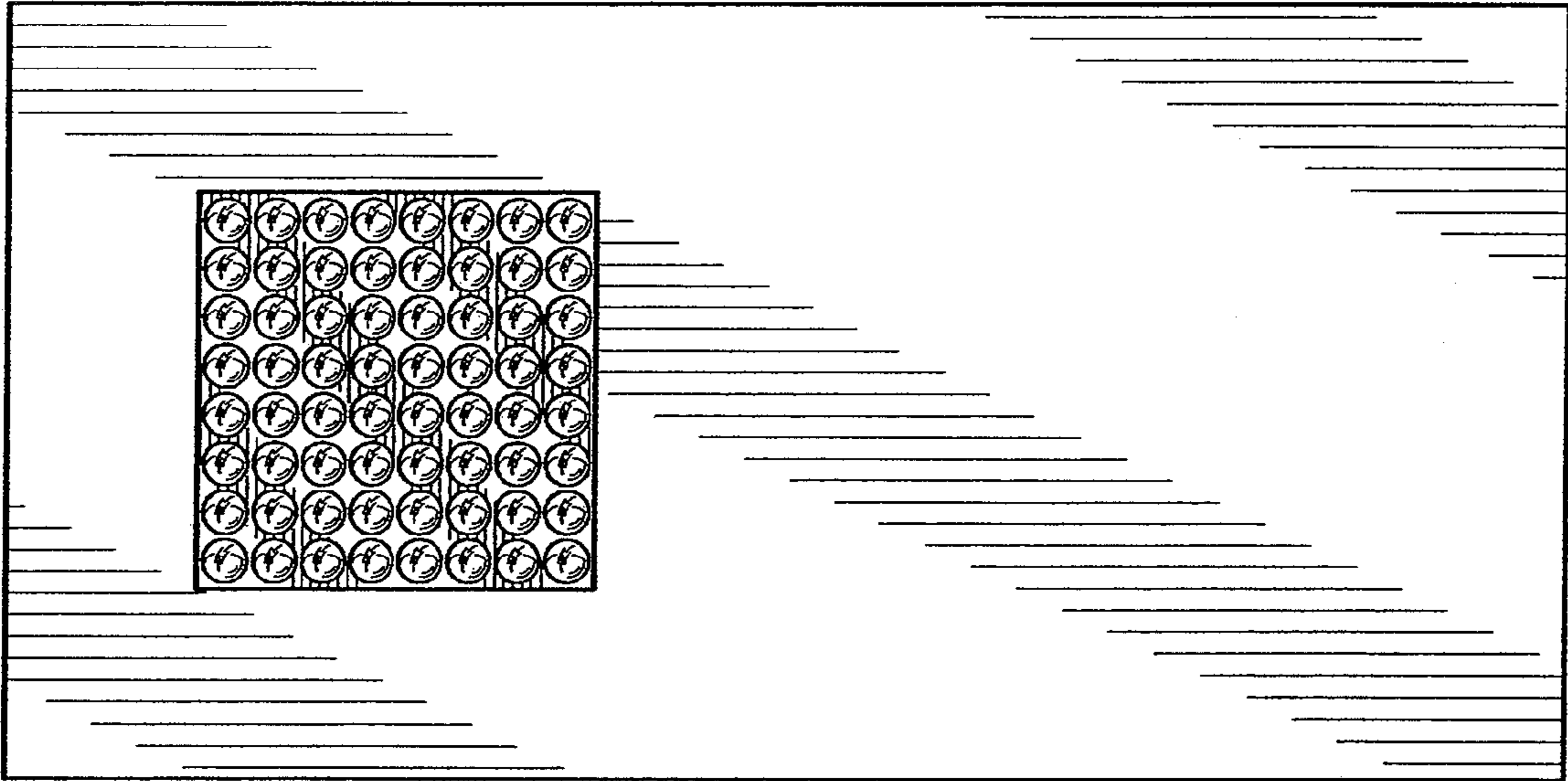


FIG. 7

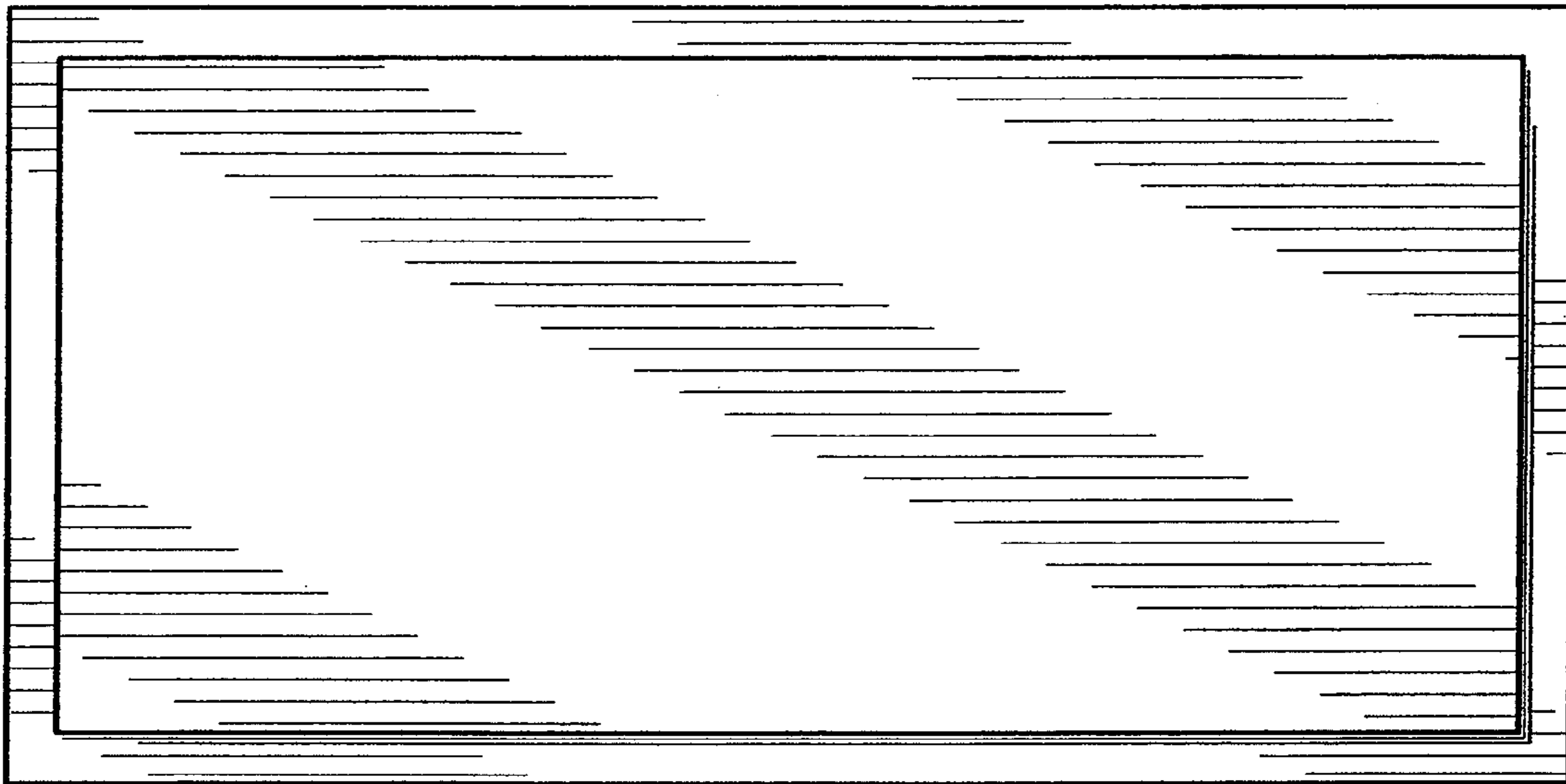


FIG. 8

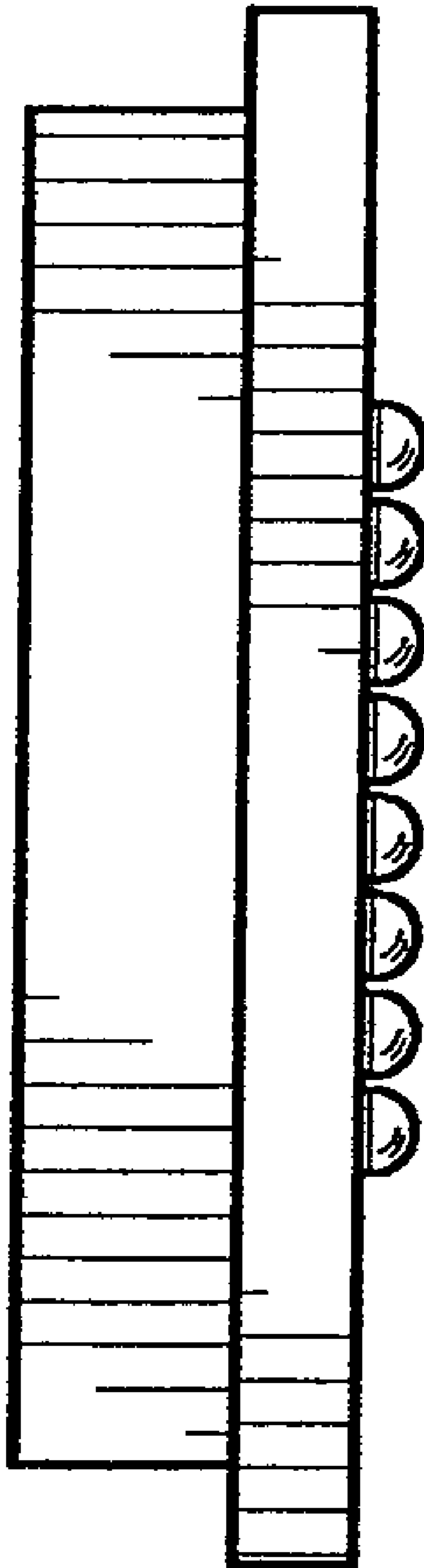


FIG. 9

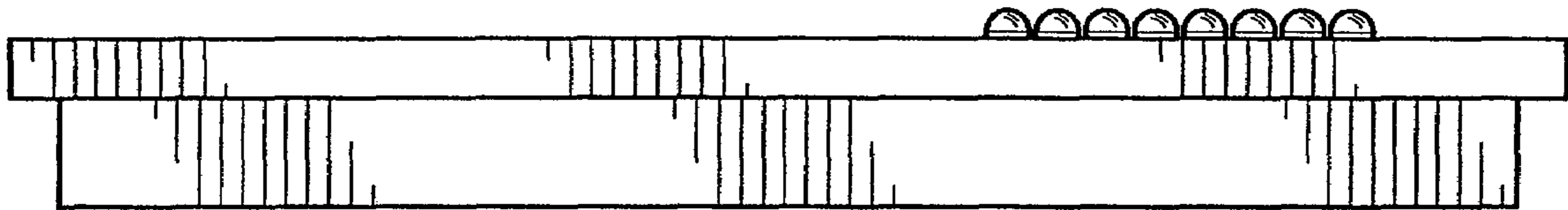


FIG. 10