

US00D562469S

(12) **United States Design Patent**  
**Vandewater, Jr. et al.**

(10) **Patent No.:** **US D562,469 S**  
(45) **Date of Patent:** **\*\* Feb. 19, 2008**

(54) **ROOF TILE**

(75) Inventors: **Gerald Charles Vandewater, Jr.**,  
Thousand Oaks, CA (US); **Wade Shepherd**,  
Anaheim, CA (US); **Alex Burman**,  
London (GB); **Andy Truss**,  
Rancho Cucamonga, CA (US); **Tat-On Man**,  
Crawley (GB); **Jeffery James Palm**,  
Morgan Hill, CA (US)

(73) Assignees: **Boral Lifetile Inc.**,  
Roswell, GA (US); **Monier Inc.**,  
Irvine, CA (US)

(\*\*) Term: **14 Years**

(21) Appl. No.: **29/277,989**

(22) Filed: **Mar. 15, 2007**

(51) **LOC (8) Cl.** ..... **25-01**

(52) **U.S. Cl.** ..... **D25/141**

(58) **Field of Classification Search** ..... D25/141,  
D25/140, 139, 138, 150, 163; 52/588.1,  
52/582.1, 583.1, 553-554, 518-519, 555,  
52/557, 536, 539, 540-541, 538, 533, 589.1  
See application file for complete search history.

(56) **References Cited**

**U.S. PATENT DOCUMENTS**

D25,531 S	5/1896	Spurgin	.....	D25/140
4,262,466 A	4/1981	Roe	.....	52/550
4,498,267 A	2/1985	Beck	.....	52/555
D282,288 S	1/1986	Bates	.....	D25/140

4,920,721 A *	5/1990	Pressutti et al.	.....	52/518
5,295,340 A *	3/1994	Collins	.....	52/518
5,326,318 A	7/1994	Rotter	.....	454/365
5,711,126 A	1/1998	Wells	.....	52/519
6,579,171 B2	6/2003	Lawless, III et al.	.....	454/365

\* cited by examiner

*Primary Examiner*—Catherine R. Oliver  
(74) *Attorney, Agent, or Firm*—Alston & Bird LLP

(57) **CLAIM**

The ornamental design for a roof tile, as shown and described.

**DESCRIPTION**

FIG. 1 is a top perspective view of a roof tile of the present design;

FIG. 2 is a left side elevation view thereof;

FIG. 3 is a right side elevation view thereof;

FIG. 4 is an elevation view of the nose end of the roof tile;

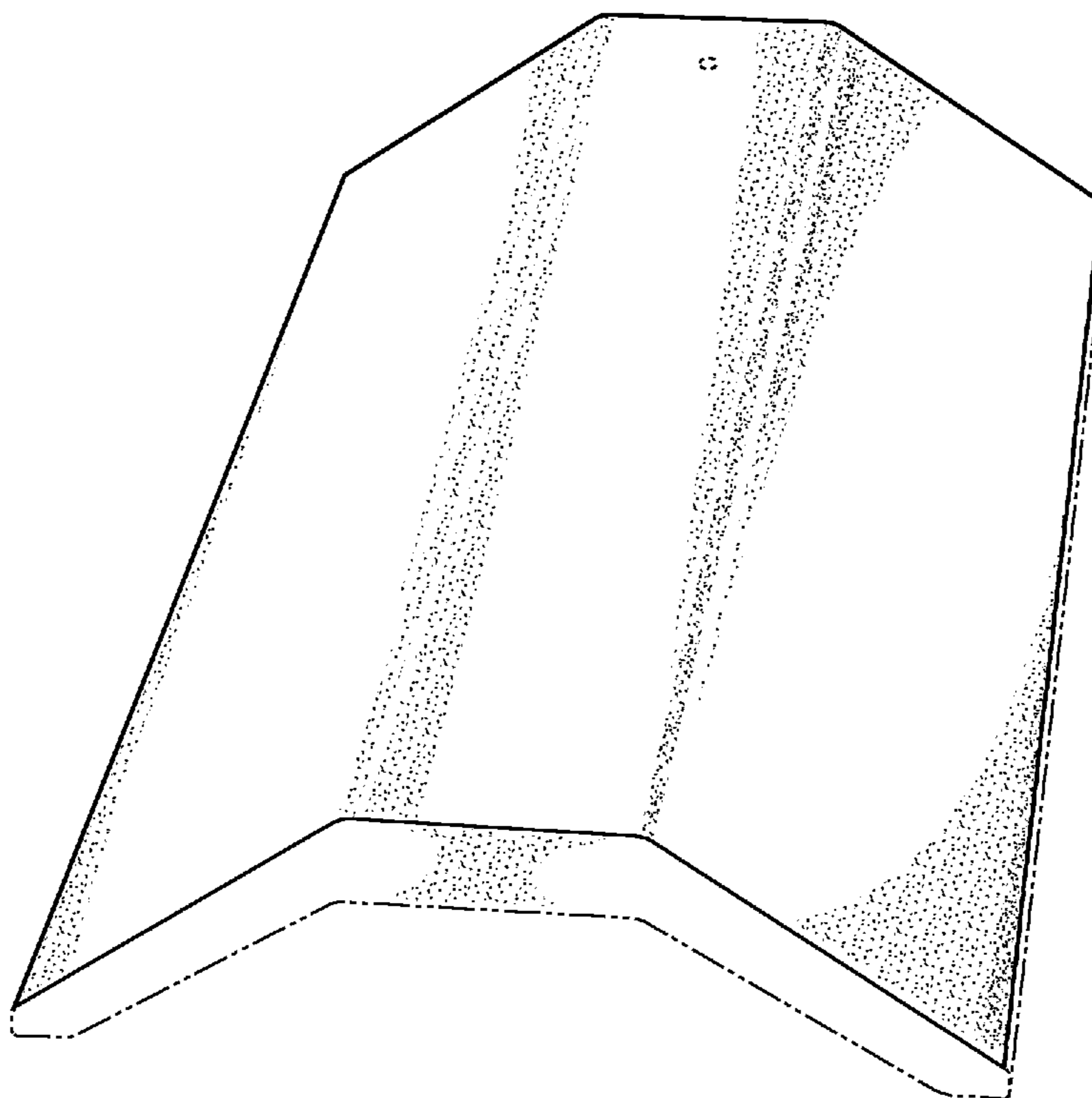
FIG. 5 is an elevation view of the head end of the roof tile;

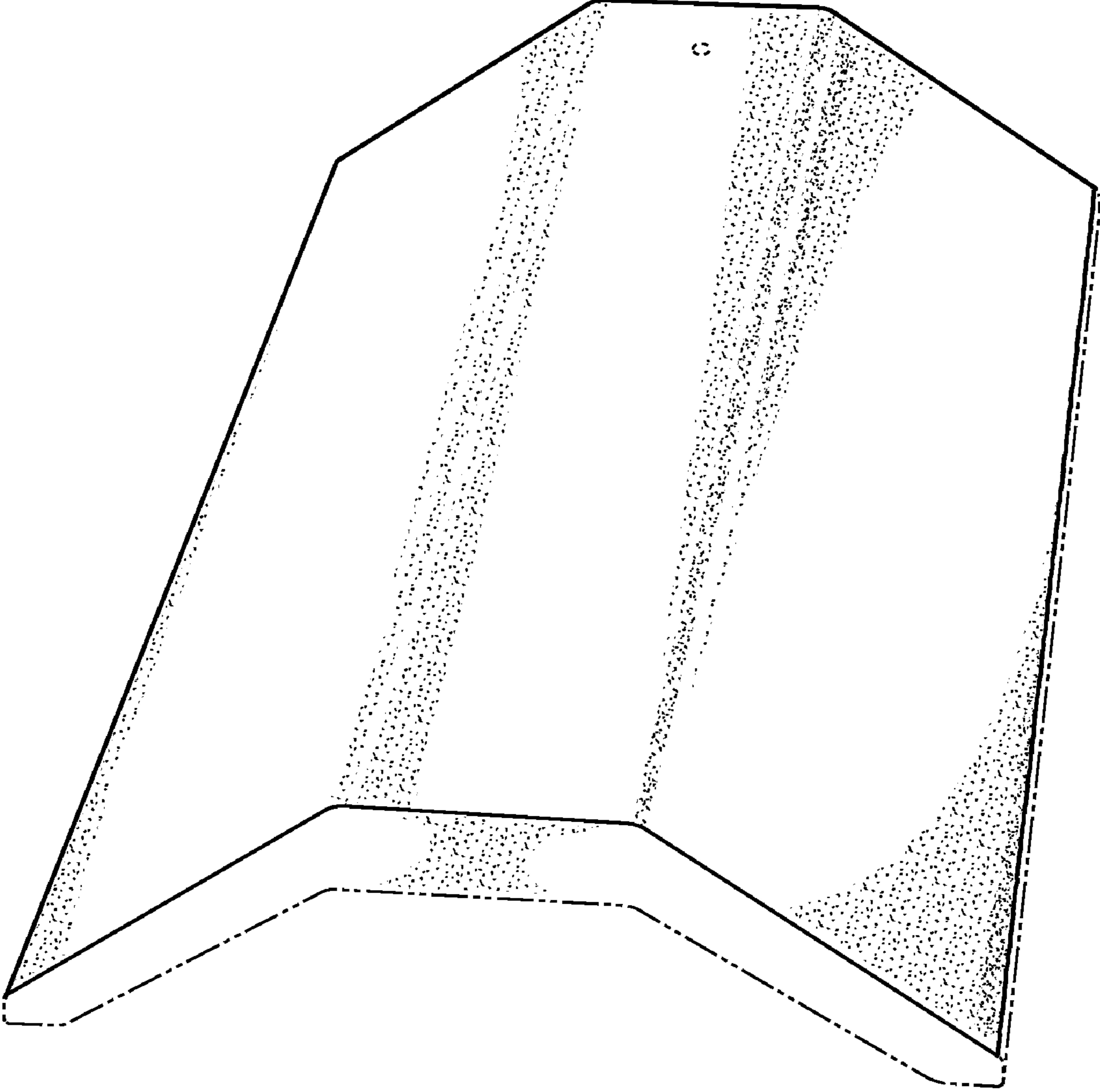
FIG. 6 is a top plan view of the roof tile shown in FIG. 1; and,

FIG. 7 is a bottom plan view of the roof tile shown in FIG. 1.

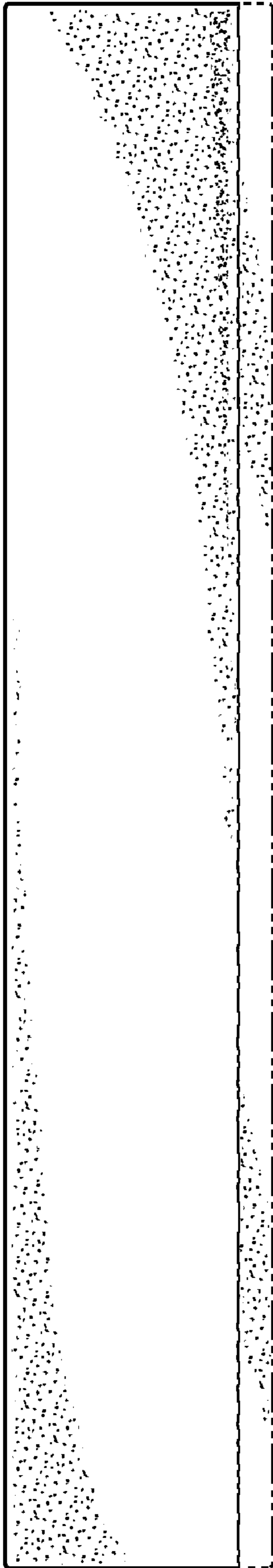
The broken lines shown herein are for illustrative purposes only and form no part of the claimed design.

**1 Claim, 5 Drawing Sheets**

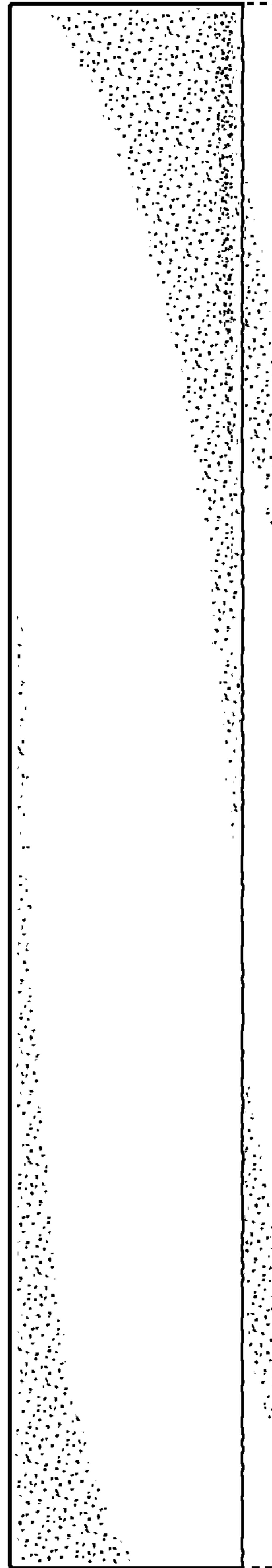




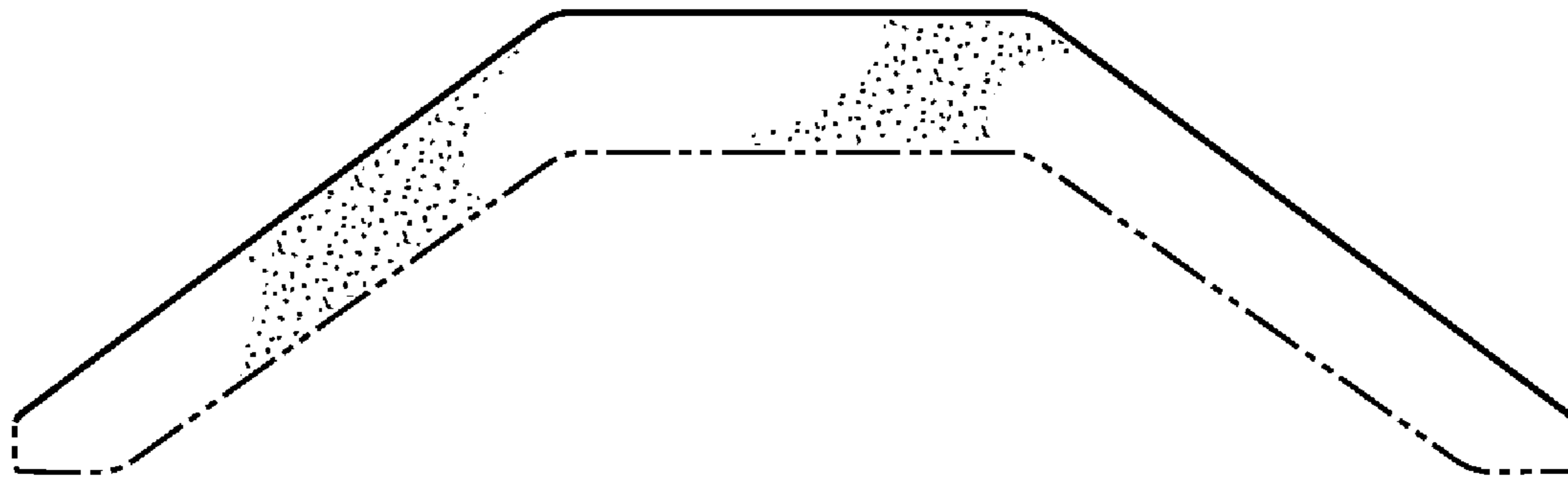
**Fig. 1**



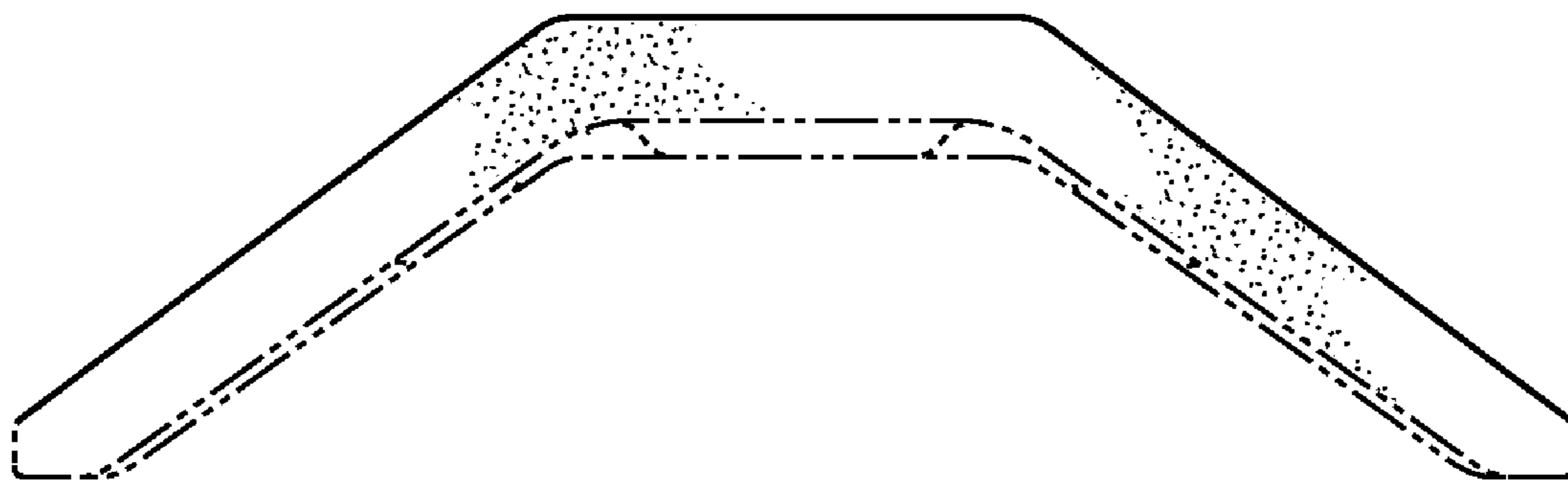
**Fig. 2**



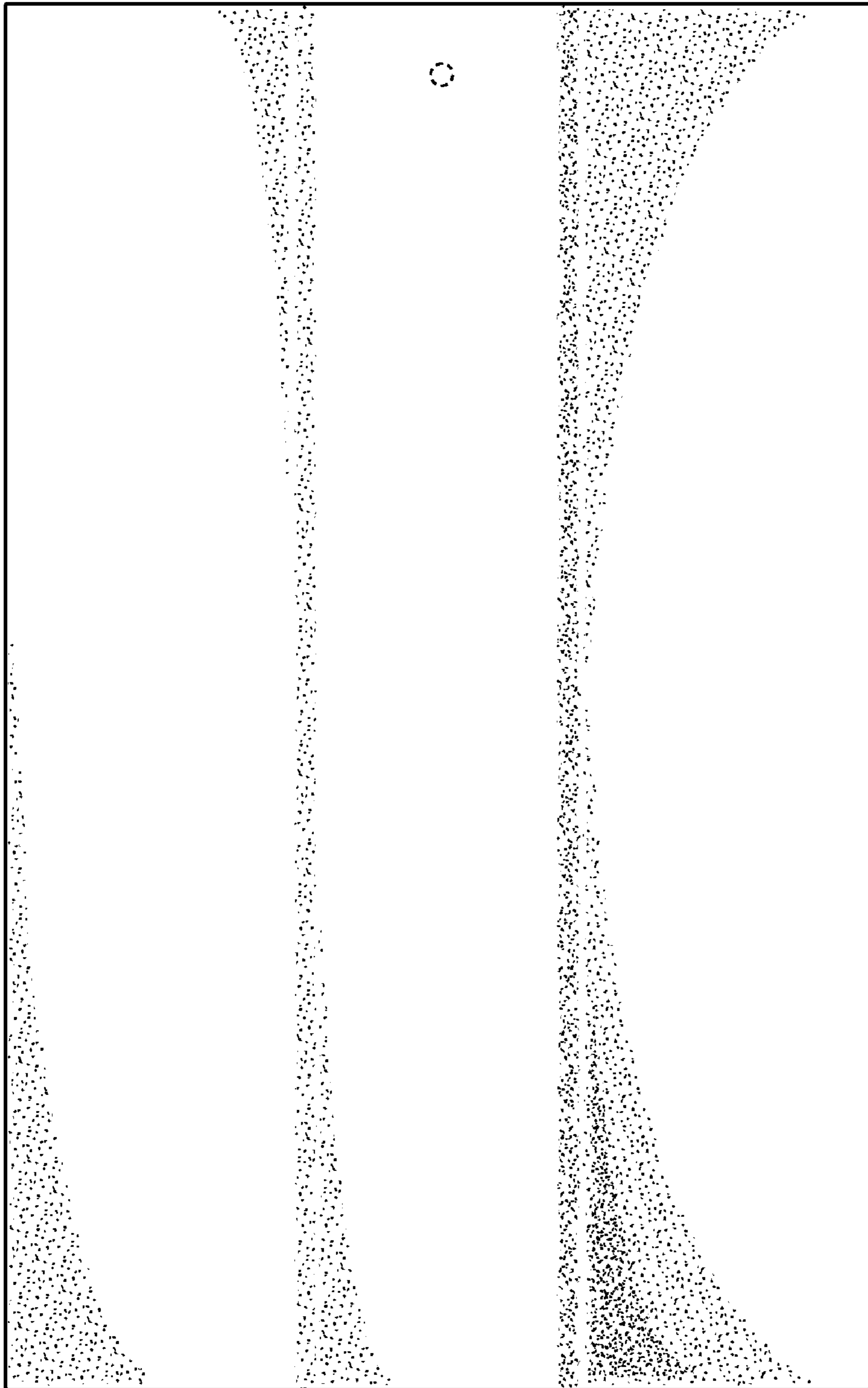
**Fig. 3**



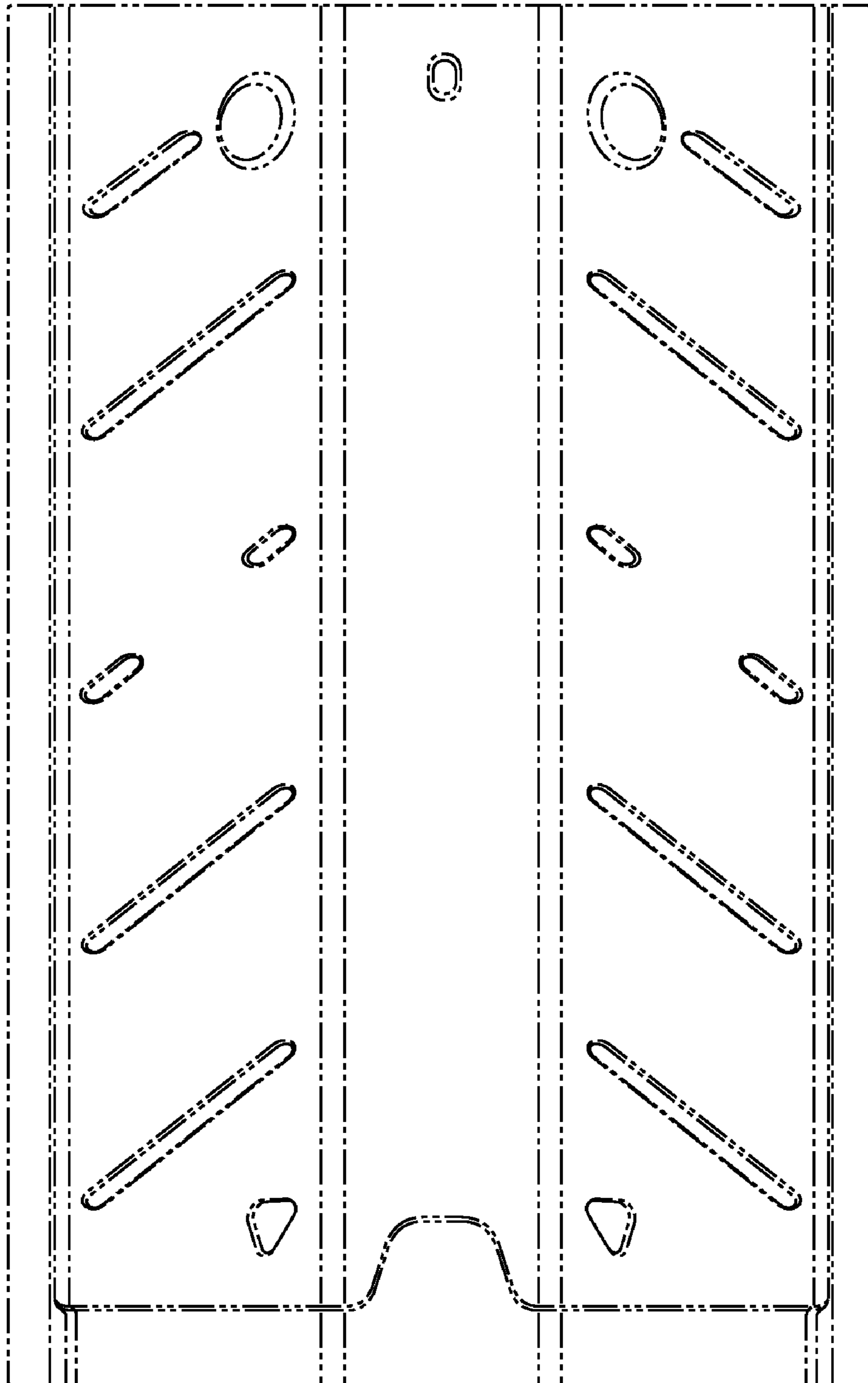
**Fig. 4**



**Fig. 5**



**Fig. 6**



**Fig. 7**