



US00D562468S

(12) **United States Design Patent**
Coulson

(10) **Patent No.:** **US D562,468 S**
(45) **Date of Patent:** **** Feb. 19, 2008**

(54) **BONDED PANEL HAVING INTERLOCKING SIDES**

(75) Inventor: **Don J. Coulson**, Fountain Valley, CA (US)

(73) Assignee: **Metals USA Building Products**, Houston, TX (US)

(**) Term: **14 Years**

(21) Appl. No.: **29/246,487**

(22) Filed: **Apr. 18, 2006**

Related U.S. Application Data

(63) Continuation-in-part of application No. 29/233,083, filed on Jun. 28, 2005.

(51) **LOC (8) Cl.** **25-01**

(52) **U.S. Cl.** **D25/121**

(58) **Field of Classification Search** D25/119, D25/138, 121; 52/574, 578, 588.1, 582.1, 52/583.1, 586.2, 590.1, 782.1, 783.1, 630, 52/506.01, 474

See application file for complete search history.

(56) **References Cited**

U.S. PATENT DOCUMENTS

5,293,728	A *	3/1994	Christopher et al.	52/588.1
5,343,665	A *	9/1994	Palmersten	52/588.1
6,314,701	B1 *	11/2001	Meyerson	52/588.1
D492,797	S *	7/2004	Simko et al.	D25/125

* cited by examiner

Primary Examiner—Doris Clark

(74) *Attorney, Agent, or Firm*—Klein, O'Neill & Singh, LLP; James G. O'Neill

(57) **CLAIM**

The ornamental design for bonded panel having interlocking sides, as shown and described.

DESCRIPTION

FIG. 1 is a perspective view of a bonded panel having interlocking sides showing a first embodiment of my new design; the broken line showing of a second bonded panel is for illustrative purposes only and forms no part of the claimed design.

FIG. 2 is front elevational view of FIG. 1;

FIG. 3 is a right side elevational view of FIG. 1;

FIG. 4 is a left side elevational view of FIG. 1;

FIG. 5 is a top plan view of FIG. 1, the bottom plan view being a mirror image thereof;

FIG. 6 is an enlarged partial view, looking from the top of FIG. 1, illustrating the cooperation of the sides of adjacent bonded panels while they are being brought together or taken apart;

FIG. 7 is an enlarged partial view, looking in the direction of arrows 7—7 in FIG. 6;

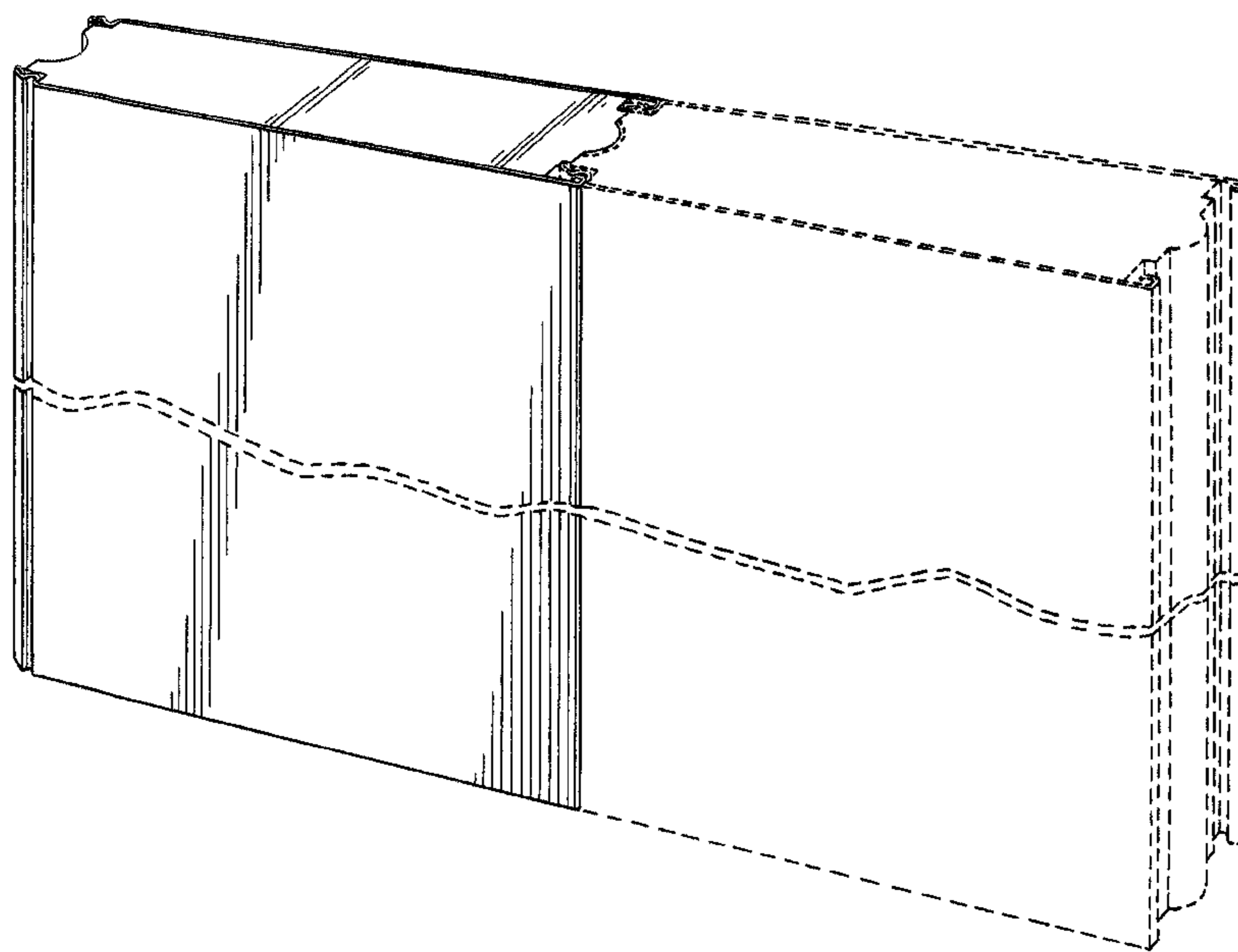
FIG. 8 is a top plan view of a second embodiment of the bonded panel of the present invention, having straightened ends on the left side; the right side thereof being identical to that shown in FIG. 1;

FIG. 9 is an enlarged partial elevational view, looking in the direction of arrows 9—9 in FIG. 8; and,

FIG. 10 is an enlarged partial perspective view, looking in the direction of arrows 9—9 in FIG. 8.

The bonded panel having interlocking sides is shown as broken in FIGS. 1—4 to indicate indeterminate length and in FIG. 6 to indicate indeterminate width.

1 Claim, 7 Drawing Sheets



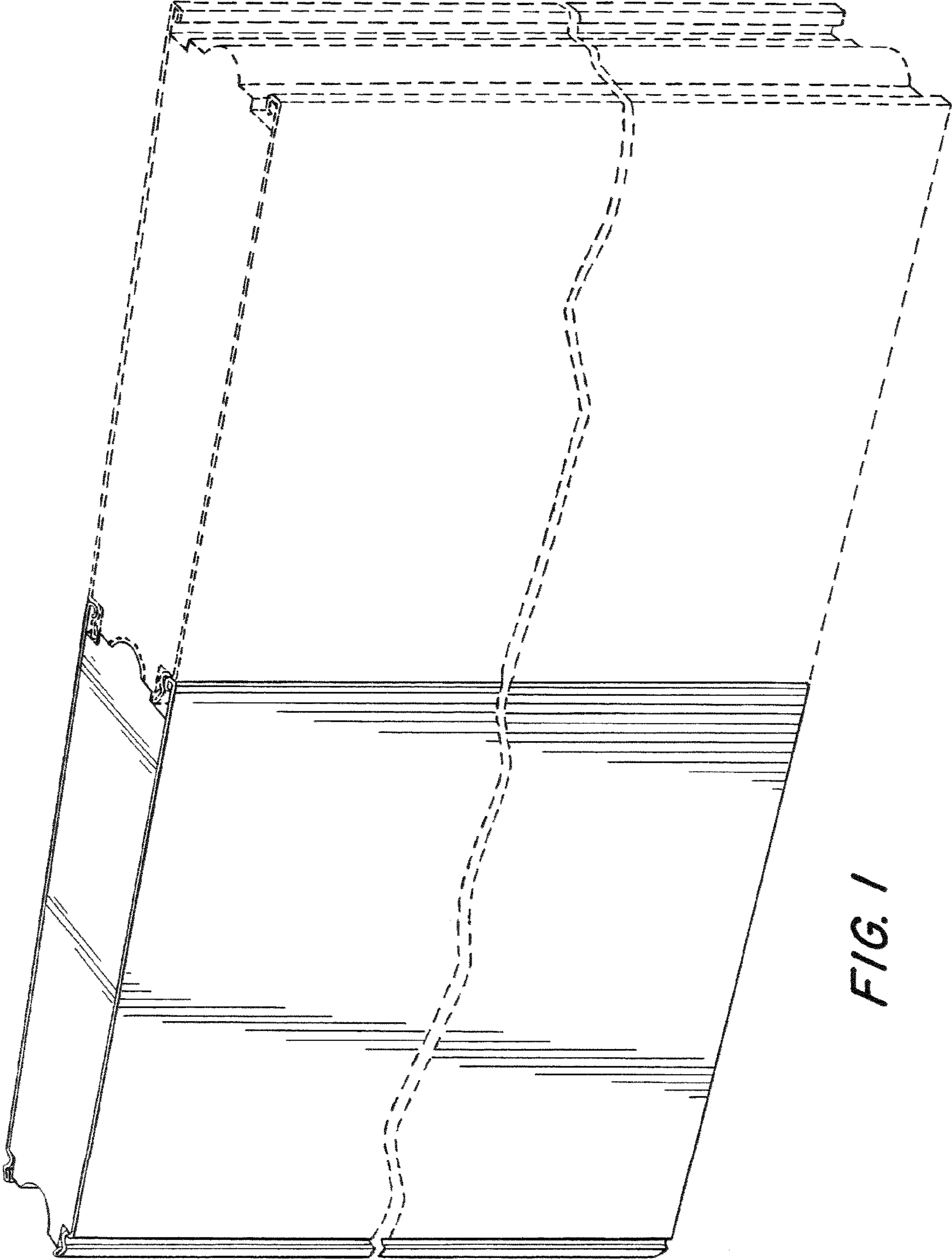


FIG. 1

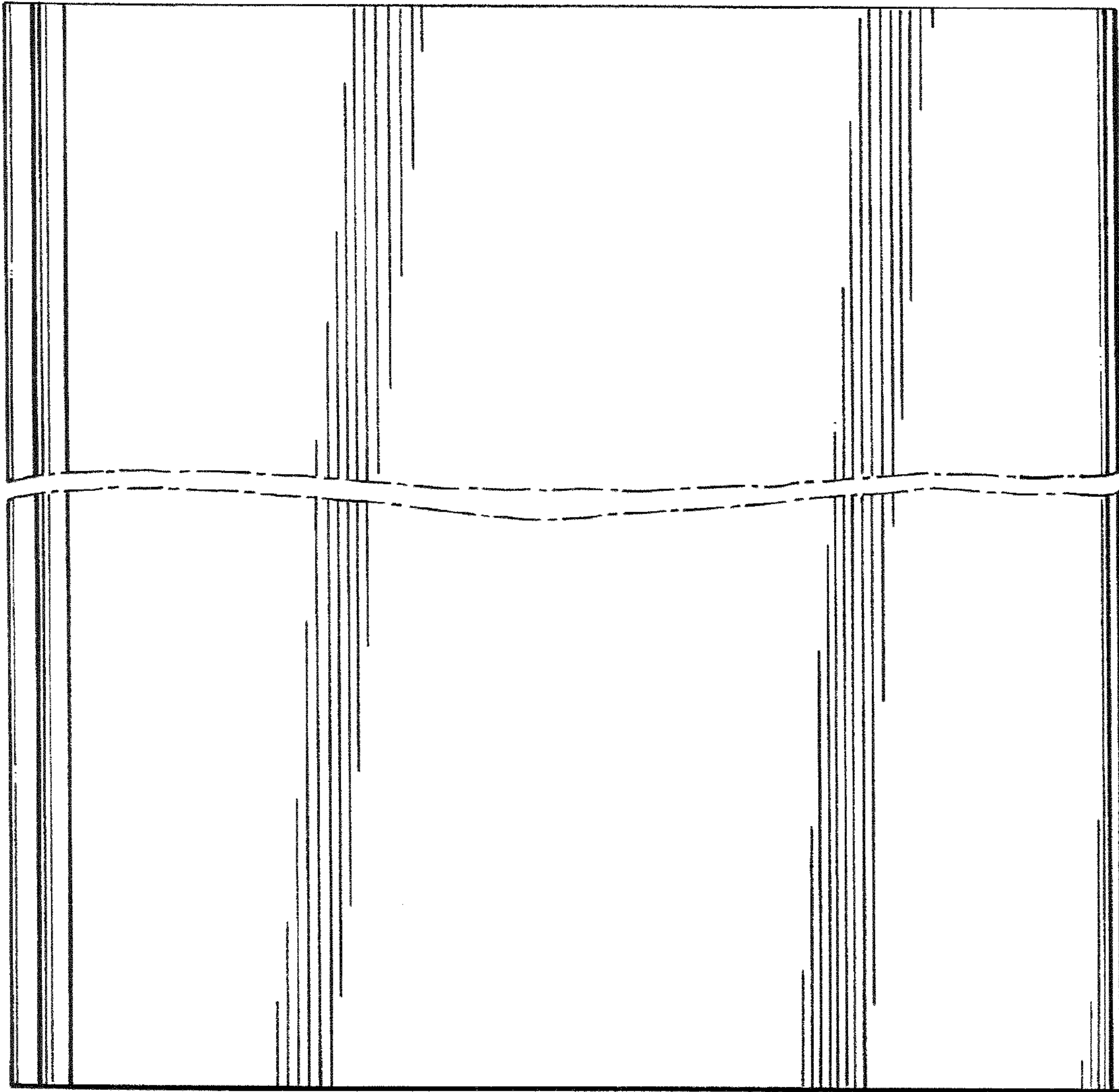


FIG. 2

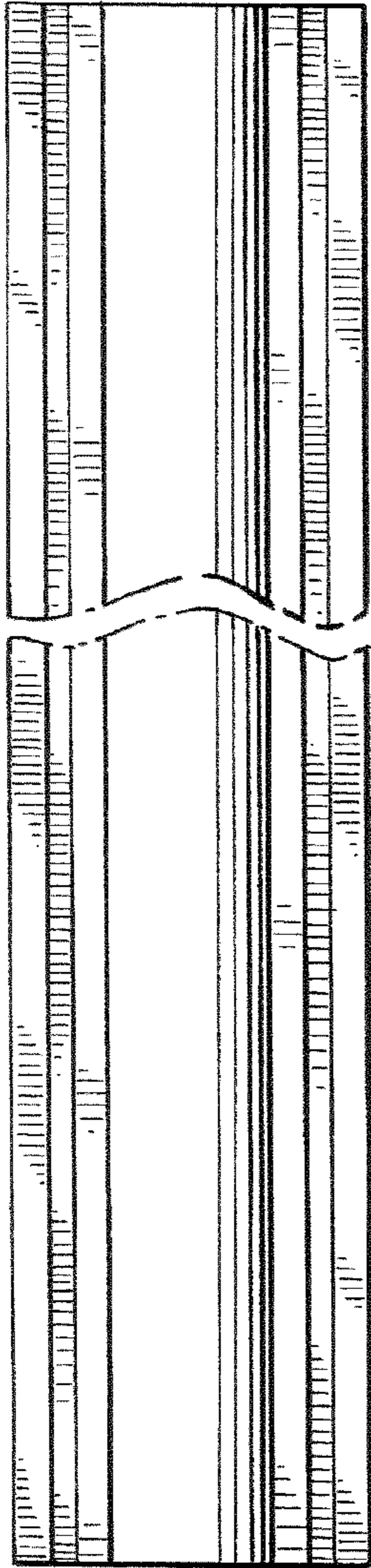


FIG. 3

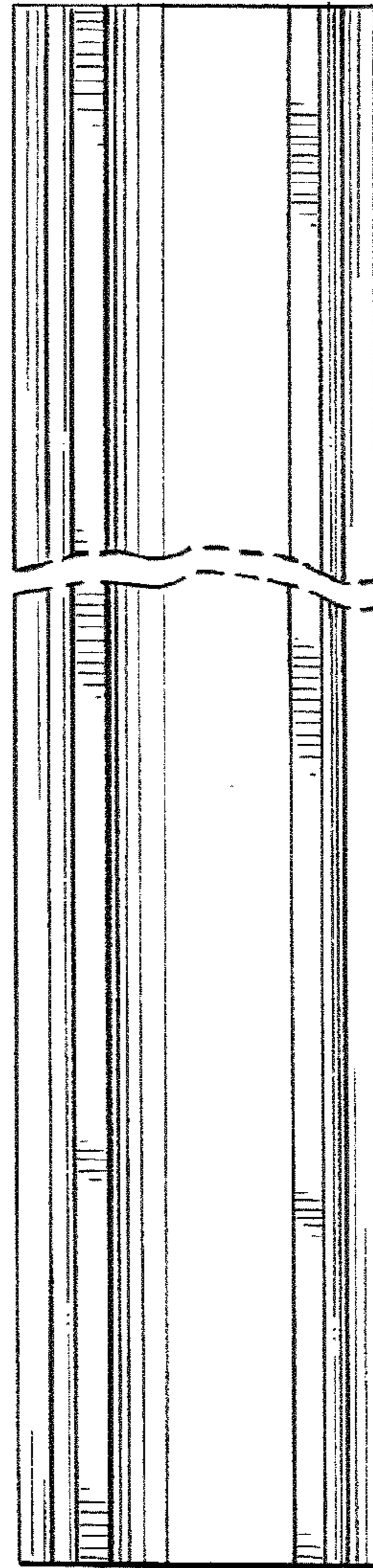


FIG. 4

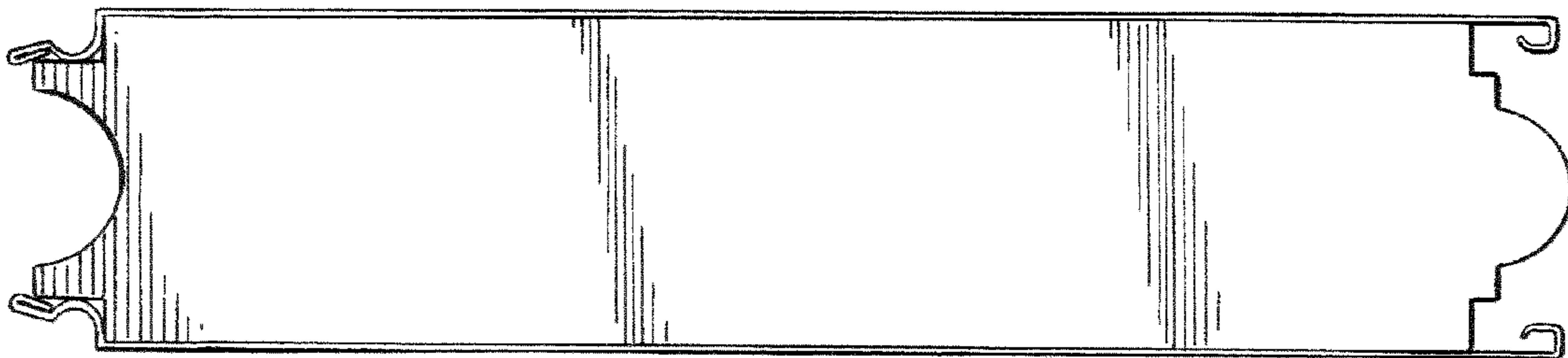


FIG. 5

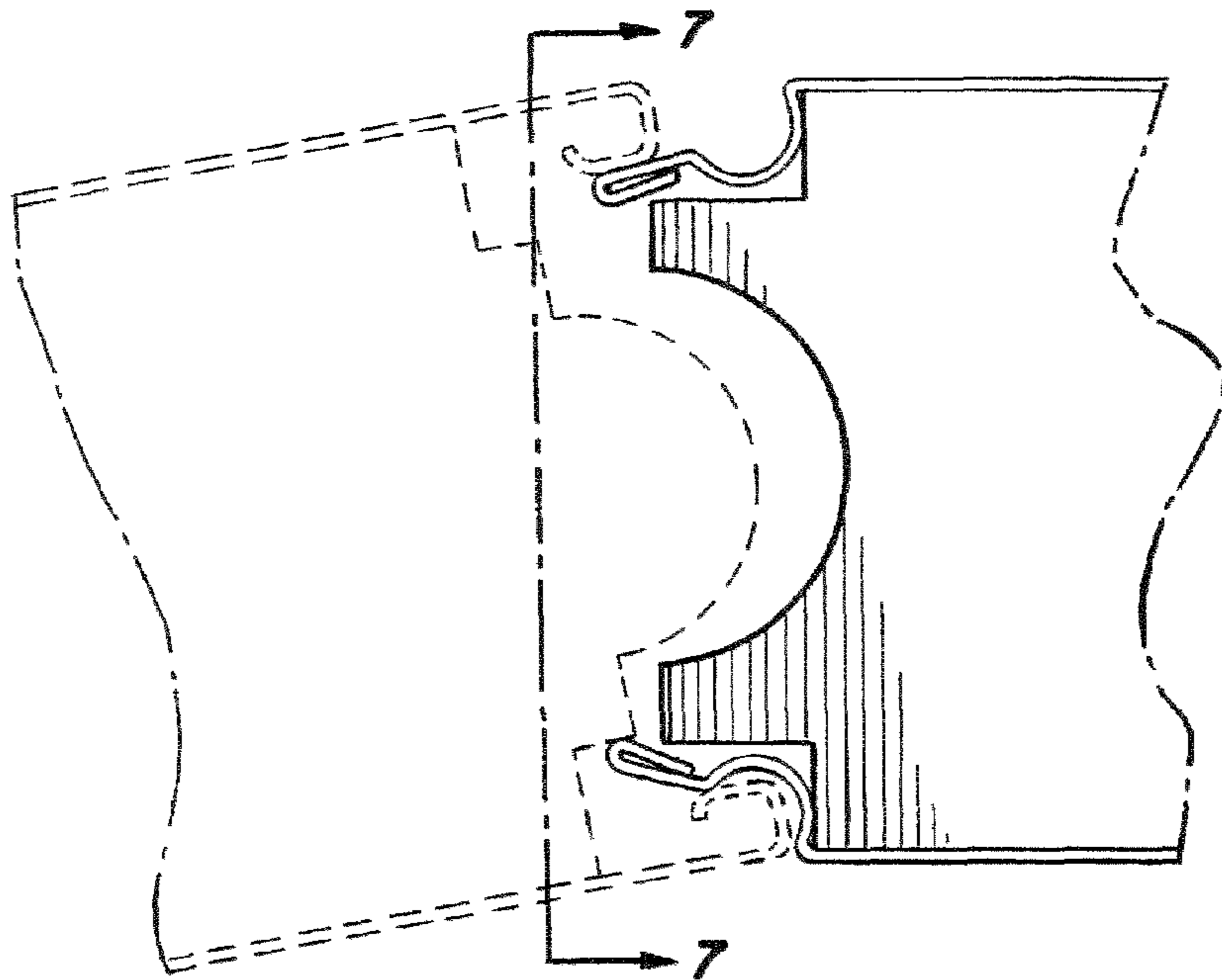


FIG. 6

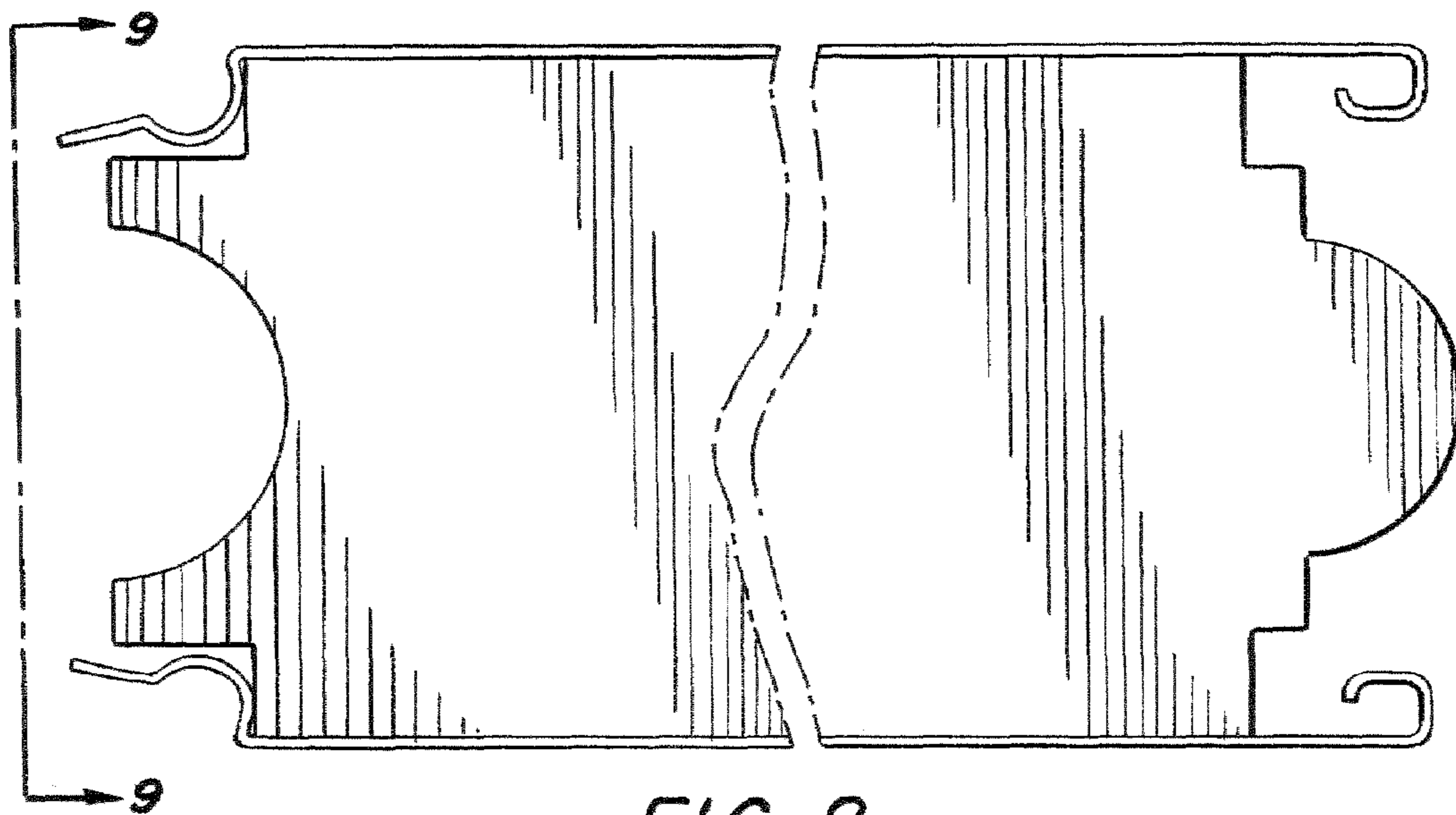


FIG. 8

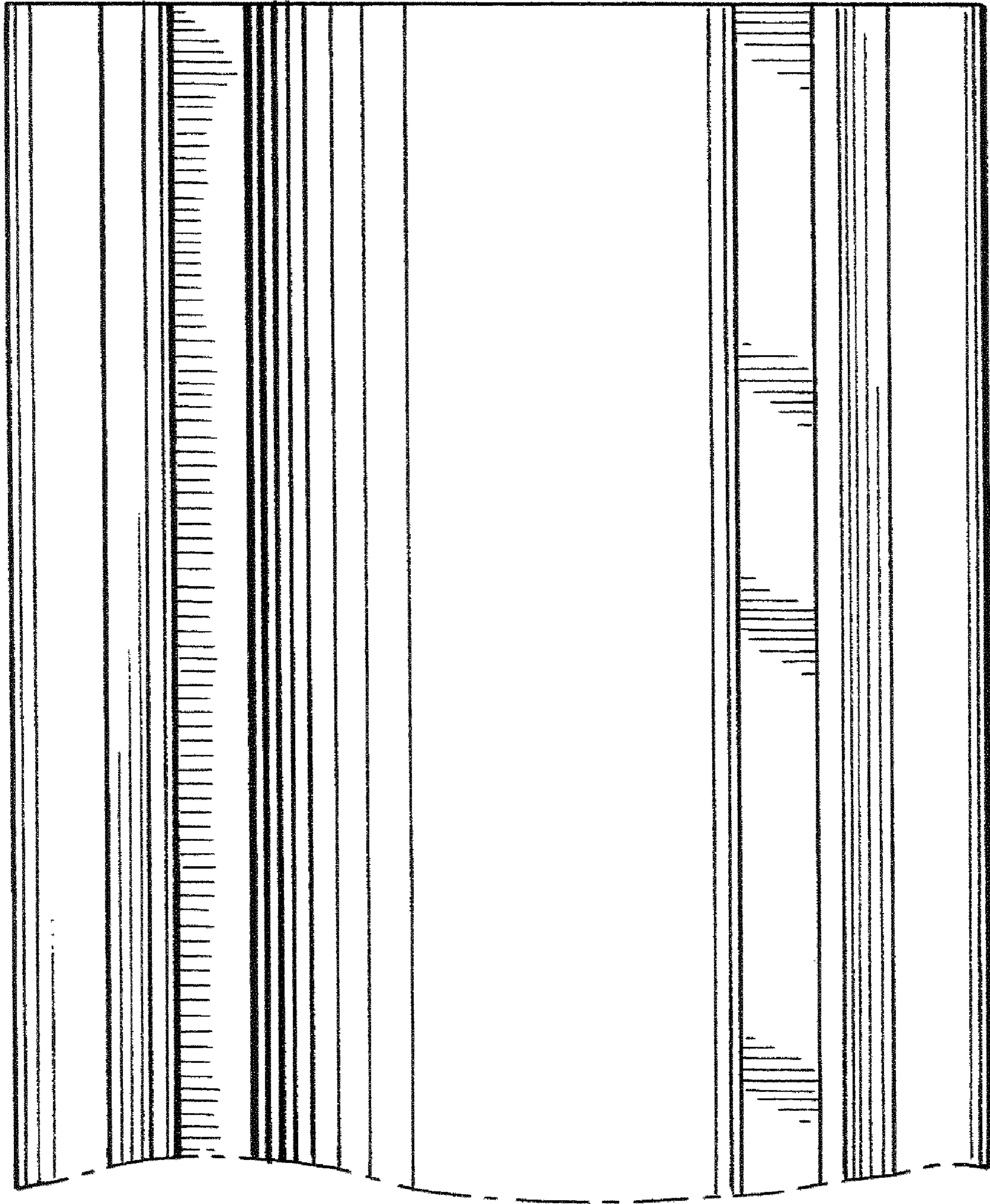


FIG. 7

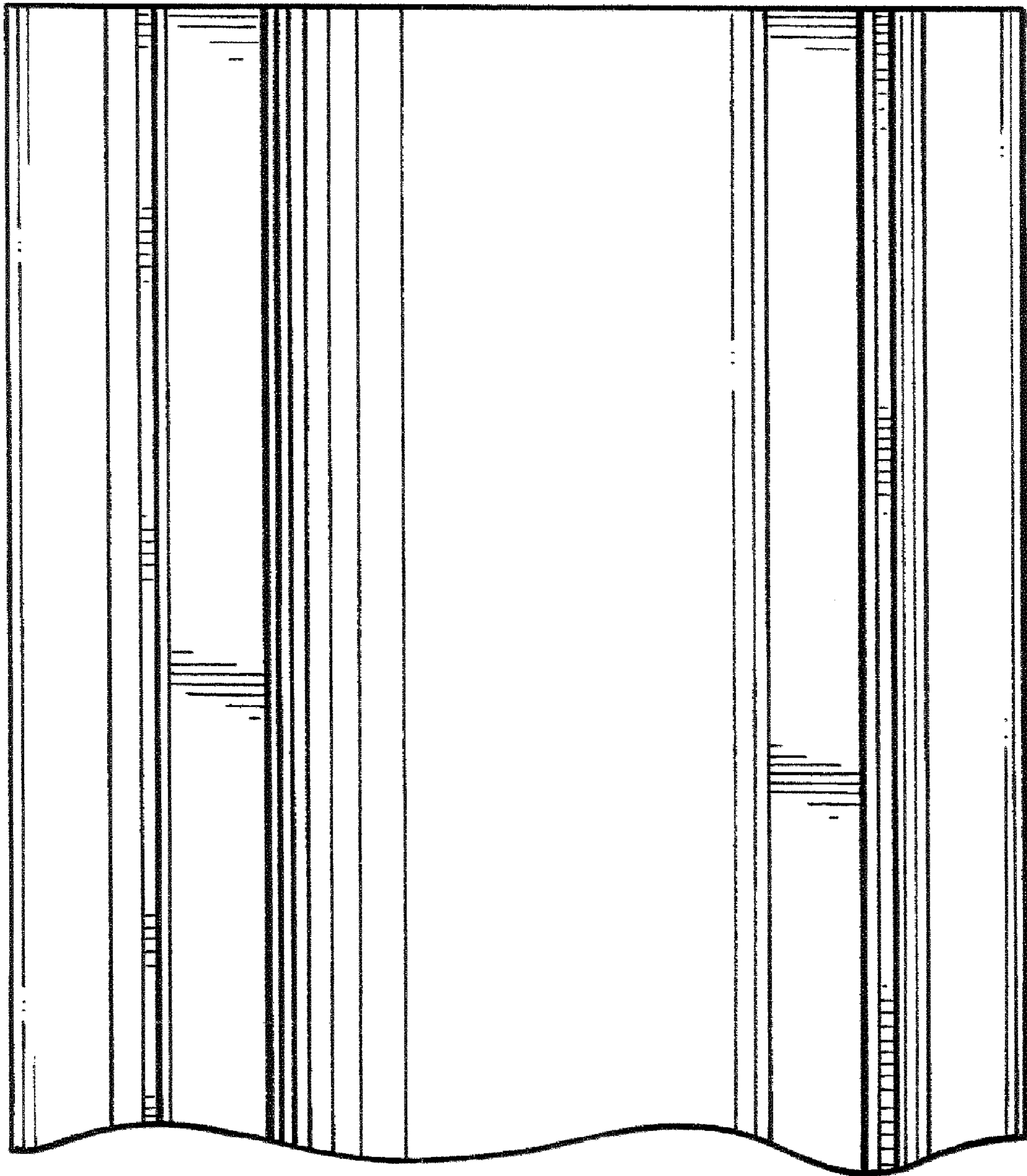


FIG. 9

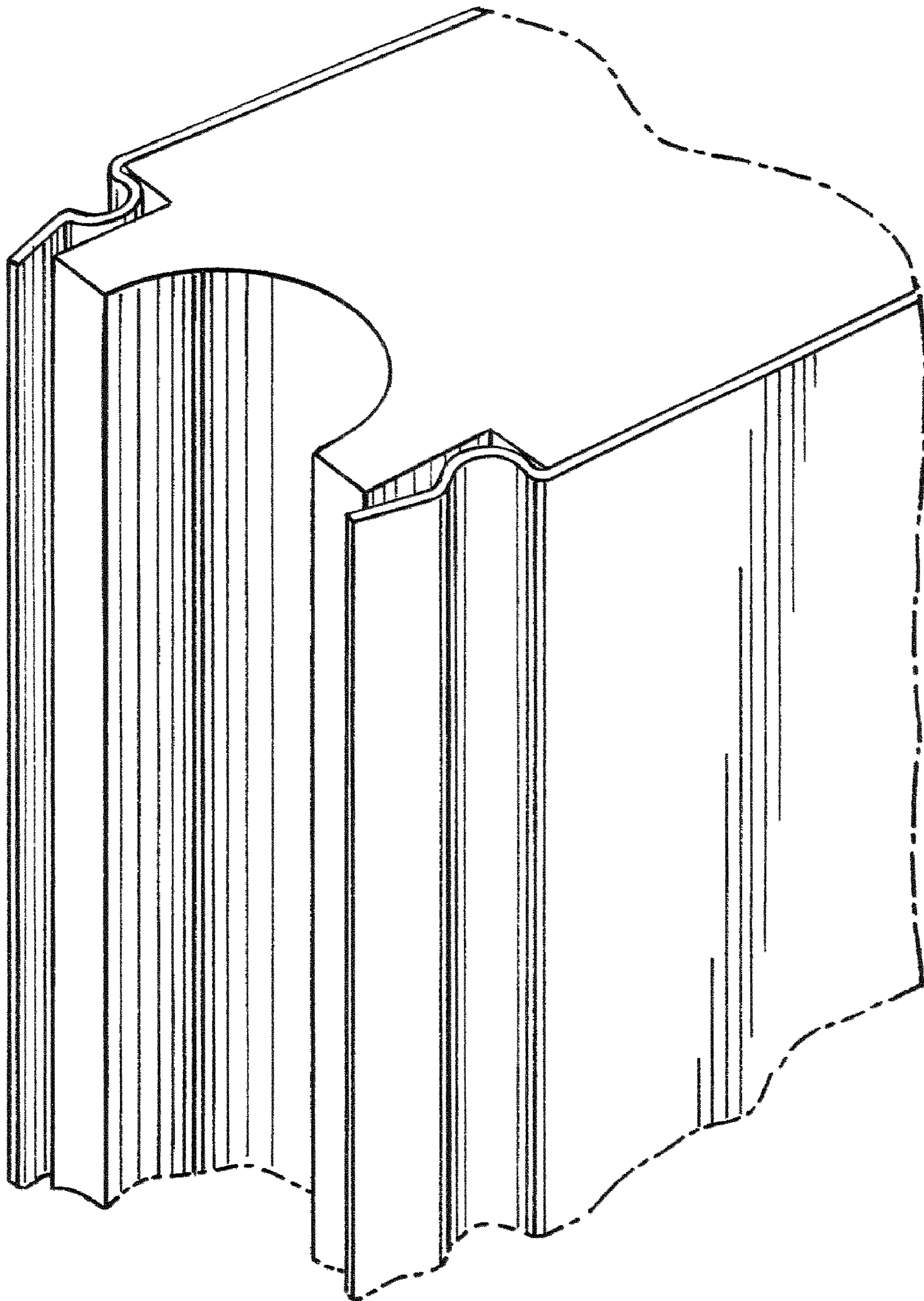


FIG. 10