

US00D562464S

(12) **United States Design Patent**
Walsh et al.

(10) **Patent No.:** **US D562,464 S**
(45) **Date of Patent:** **** Feb. 19, 2008**

(54) **DOOR FACING**

(75) Inventors: **Jason M. Walsh**, Batavia, IL (US);
Steven K. Lynch, St. Charles, IL (US);
Mark A. Ruggie, Franklin Park, IL (US)

(73) Assignee: **Masonite Corporation**, Tampa, FL (US)

(**) Term: **14 Years**

(21) Appl. No.: **29/273,698**

(22) Filed: **Mar. 12, 2007**

Related U.S. Application Data

(62) Division of application No. 29/221,217, filed on Jan. 13, 2005, now Pat. No. Des. 538,440.

(51) **LOC (8) Cl.** **25-02**

(52) **U.S. Cl.** **D25/48; D25/138**

(58) **Field of Classification Search** D25/48,
D25/47, 138; 52/63, 64, 71, 455, 456, 457,
52/458, 474, 762, 764, 782.1, 784.1; 428/45;
49/501, 504

See application file for complete search history.

(56) **References Cited**

U.S. PATENT DOCUMENTS

386,018 A * 7/1888 Lilygren 52/455
D77,542 S * 1/1929 Gaston D25/48
D498,308 S * 11/2004 Mock D25/138

* cited by examiner

Primary Examiner—Doris Clark

(74) *Attorney, Agent, or Firm*—Berenato, White & Stavish, LLC

(57) **CLAIM**

The ornamental design for a door facing, as shown and described.

DESCRIPTION

FIG. 1 is a front elevational view of our design, with the rear being a mirror image thereof;

FIG. 2 is a cross sectional view taken along the line 3—3 in FIG. 1;

FIG. 3 is a cross sectional view taken along the line 2—2 in FIG. 1;

FIG. 4 is a cross sectional view taken along the line 4—4 in FIG. 1;

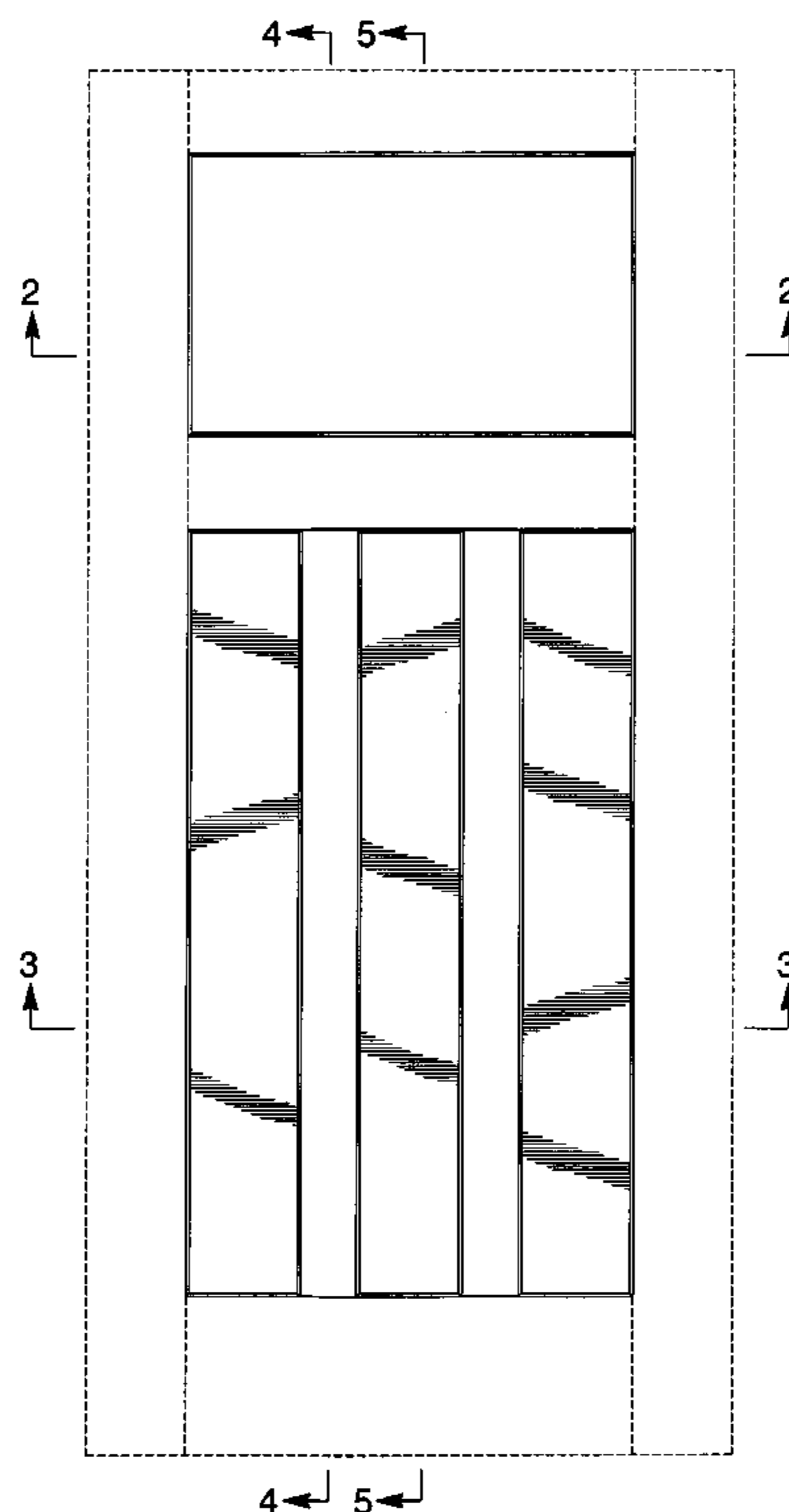
FIG. 5 is a cross sectional view taken along the line 5—5 in FIG. 1;

FIG. 6 is an enlarged fragmentary cross sectional view illustrating the contoured portion that receives a glazing unit; and,

FIG. 7 is an enlarged fragmentary cross sectional view illustrating the contour across the panels.

The broken lines are for illustrative purposes only and form no part of the claimed design.

1 Claim, 3 Drawing Sheets



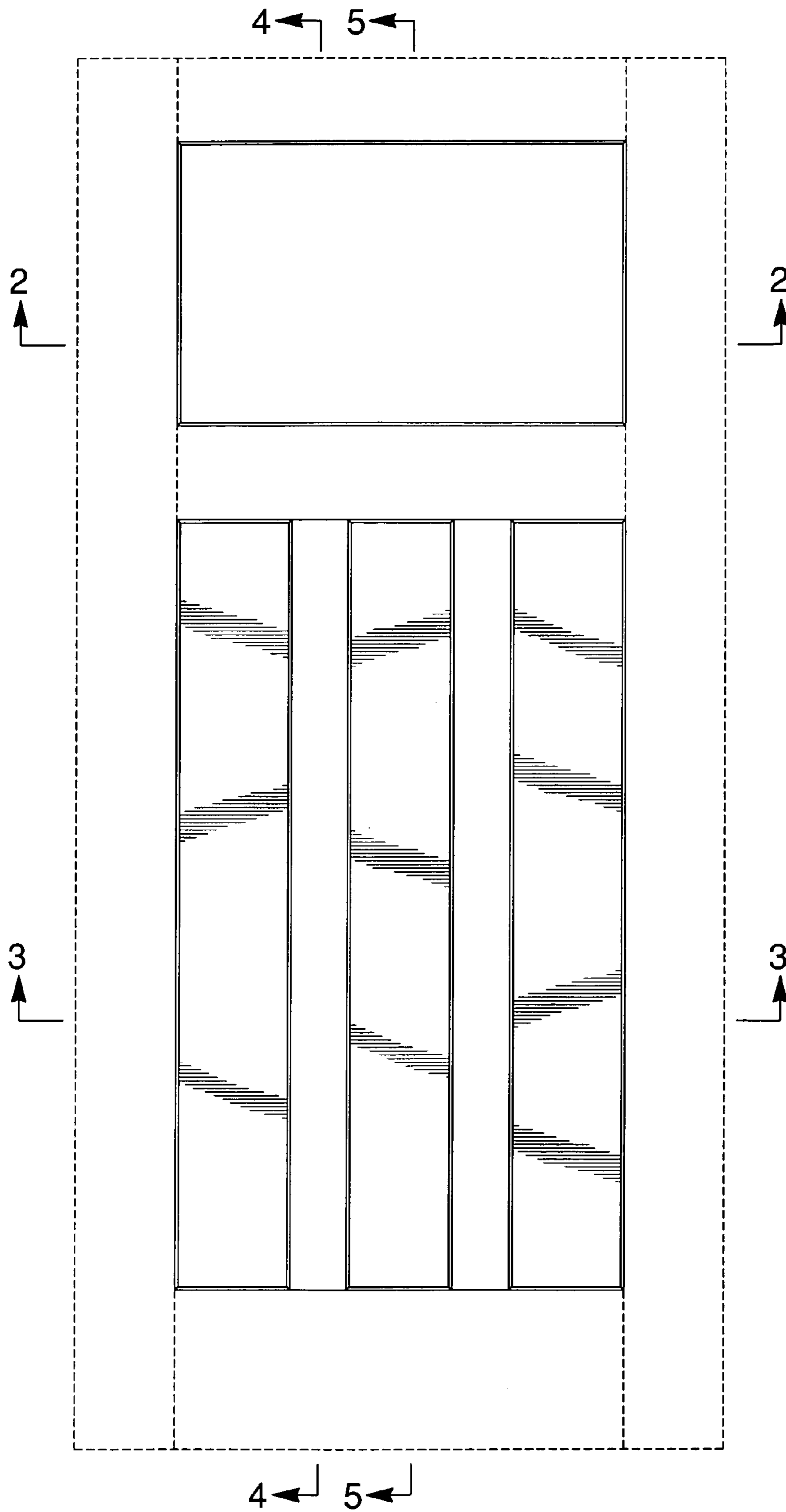


Fig. 1

Fig. 2

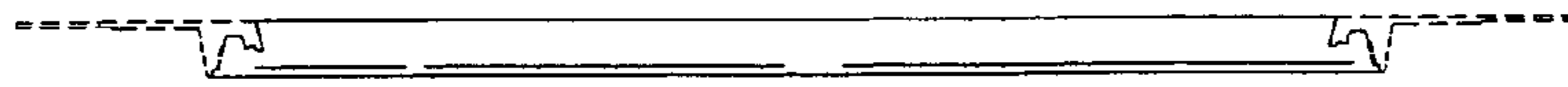


Fig. 3



Fig. 6

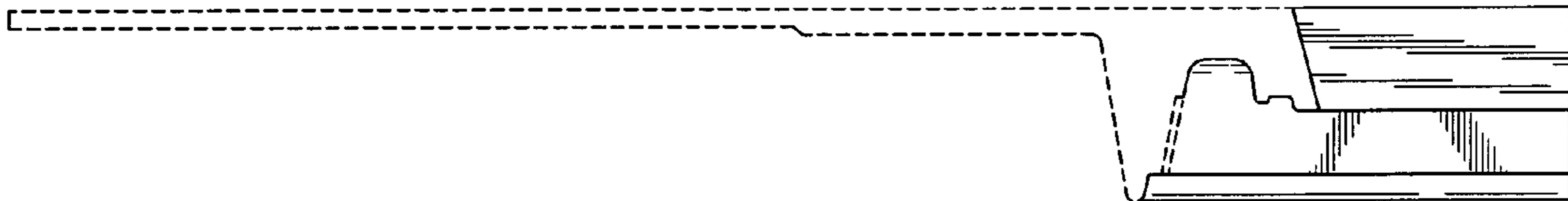


Fig. 7



Fig. 4

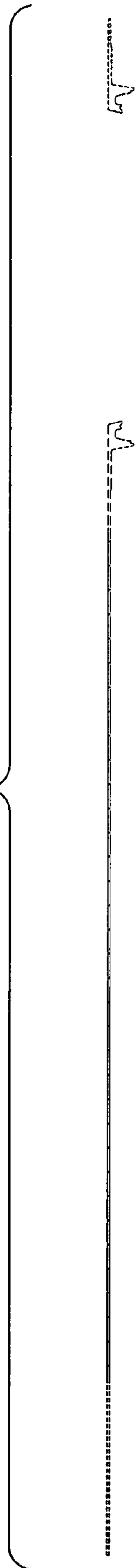


Fig. 5

