



US00D562463S

(12) **United States Design Patent** (10) **Patent No.:** **US D562,463 S**
Berndt et al. (45) **Date of Patent:** **** Feb. 19, 2008**

(54) **MICROTITER PLATE**

D492,792 S * 7/2004 Kokaisel et al. D24/226

(75) Inventors: **Peter Berndt**, Basel (CH); **Christof Fattinger**, Blauen (CH); **Remo Anton Hochstrasser**, Oberwil (CH); **Tom Kissling**, Riehen (CH)

FOREIGN PATENT DOCUMENTS

EP 0569115 11/1993
EP 0791394 8/1997
WO WO 95/26798 10/1995

(73) Assignee: **Hoffmann-La Roche Inc.**, Nutley, NJ (US)

OTHER PUBLICATIONS

U.S. Appl. No. 11/010,806, filed Dec. 13, 2004, Peter Berndt.

(**) Term: **14 Years**

* cited by examiner

(21) Appl. No.: **29/229,123**

Primary Examiner—Joel A. Sincavage

Assistant Examiner—Anhdao Doan

(22) Filed: **May 3, 2005**

(74) *Attorney, Agent, or Firm*—George W. Johnston; John P. Parise; Karen J. Ghinculov

(30) **Foreign Application Priority Data**

(57) **CLAIM**

Nov. 3, 2004 (CH) 131147

The ornamental design for a microtiter plate, as shown and described.

(51) **LOC (8) Cl.** **24-02**

(52) **U.S. Cl.** **D24/226**

(58) **Field of Classification Search** D24/216–230;
422/99–102, 104; 435/228.3, 228.4
See application file for complete search history.

DESCRIPTION

FIG. 1 is a top perspective view of a microtiter plate showing our new design;

FIG. 2 is a top plan view thereof;

FIG. 3 is a front elevation view thereof;

FIG. 4 is a bottom plan view thereof;

FIG. 5 is a bottom perspective view thereof;

FIG. 6 is an enlarged view of the upper right corner of the microtiter plate shown in FIG. 4;

FIG. 7 is an enlarged view of the upper corner on the right half of the microtiter plate shown in FIG. 5; and,

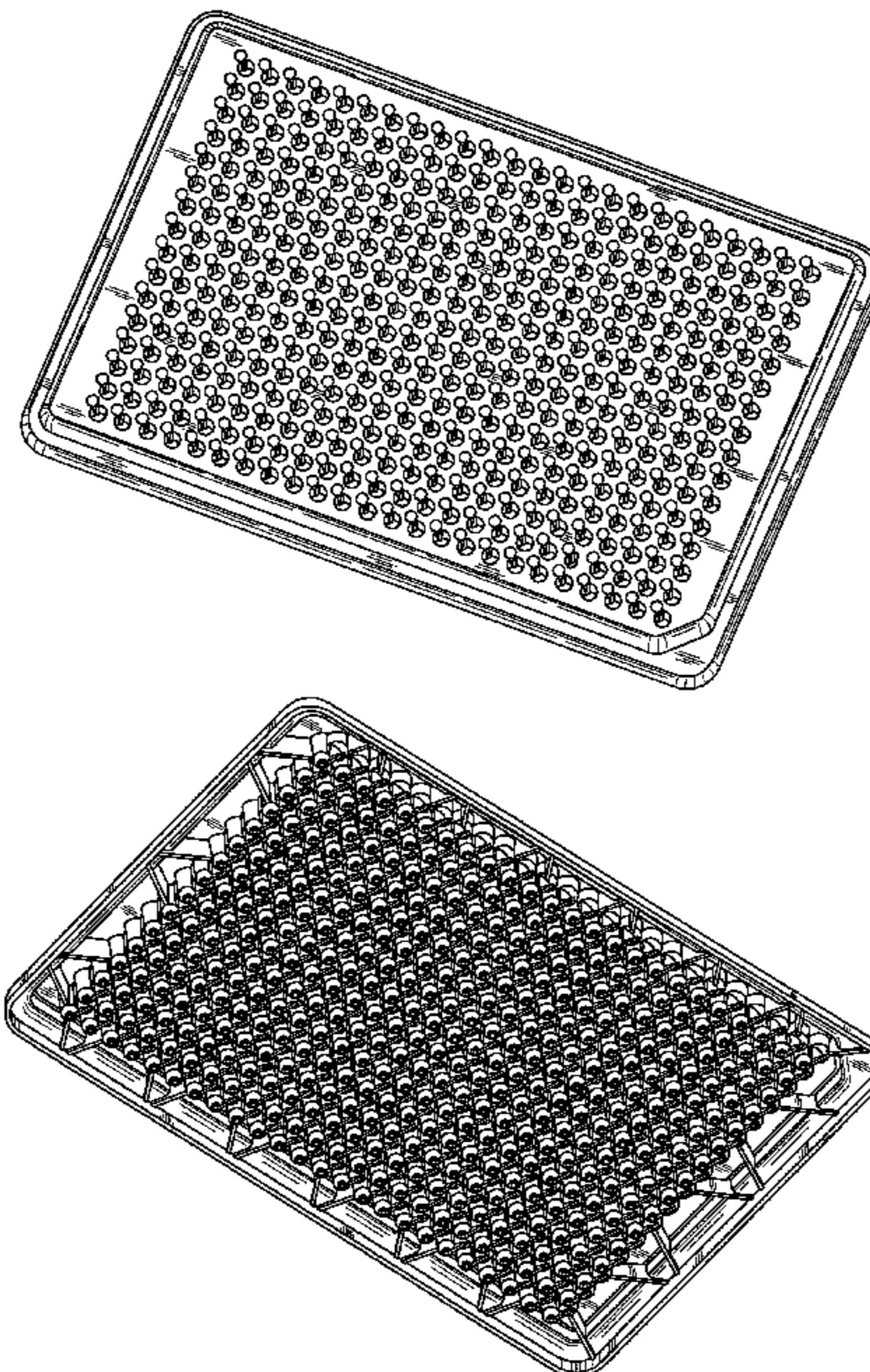
FIG. 8 is an enlarged view of a portion of the microtiter plate shown in FIG. 1.

(56) **References Cited**

U.S. PATENT DOCUMENTS

D283,162 S * 3/1986 Godsey D24/226
D302,207 S * 7/1989 Matkovich D24/226
4,980,293 A 12/1990 Jeffs
D420,139 S * 2/2000 Ballin et al. D24/216
D441,091 S * 4/2001 Day D24/224
D448,854 S * 10/2001 Kuiper et al. D24/230
D463,863 S * 10/2002 Carlson et al. D24/216
D464,734 S * 10/2002 Berna et al. D24/216
D469,544 S * 1/2003 Lafond et al. D24/224
D477,416 S * 7/2003 Roberts et al. D24/216

1 Claim, 6 Drawing Sheets



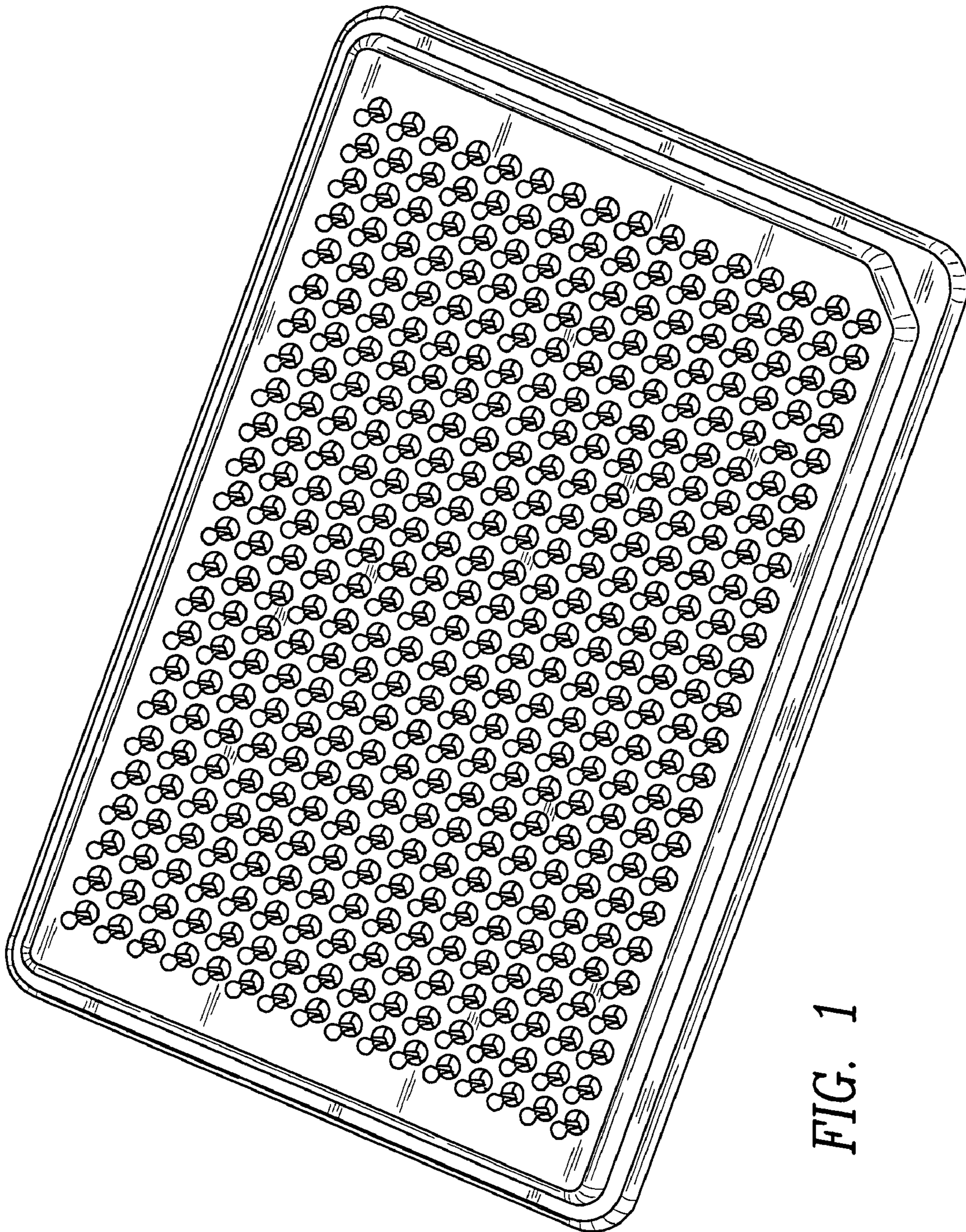


FIG. 1

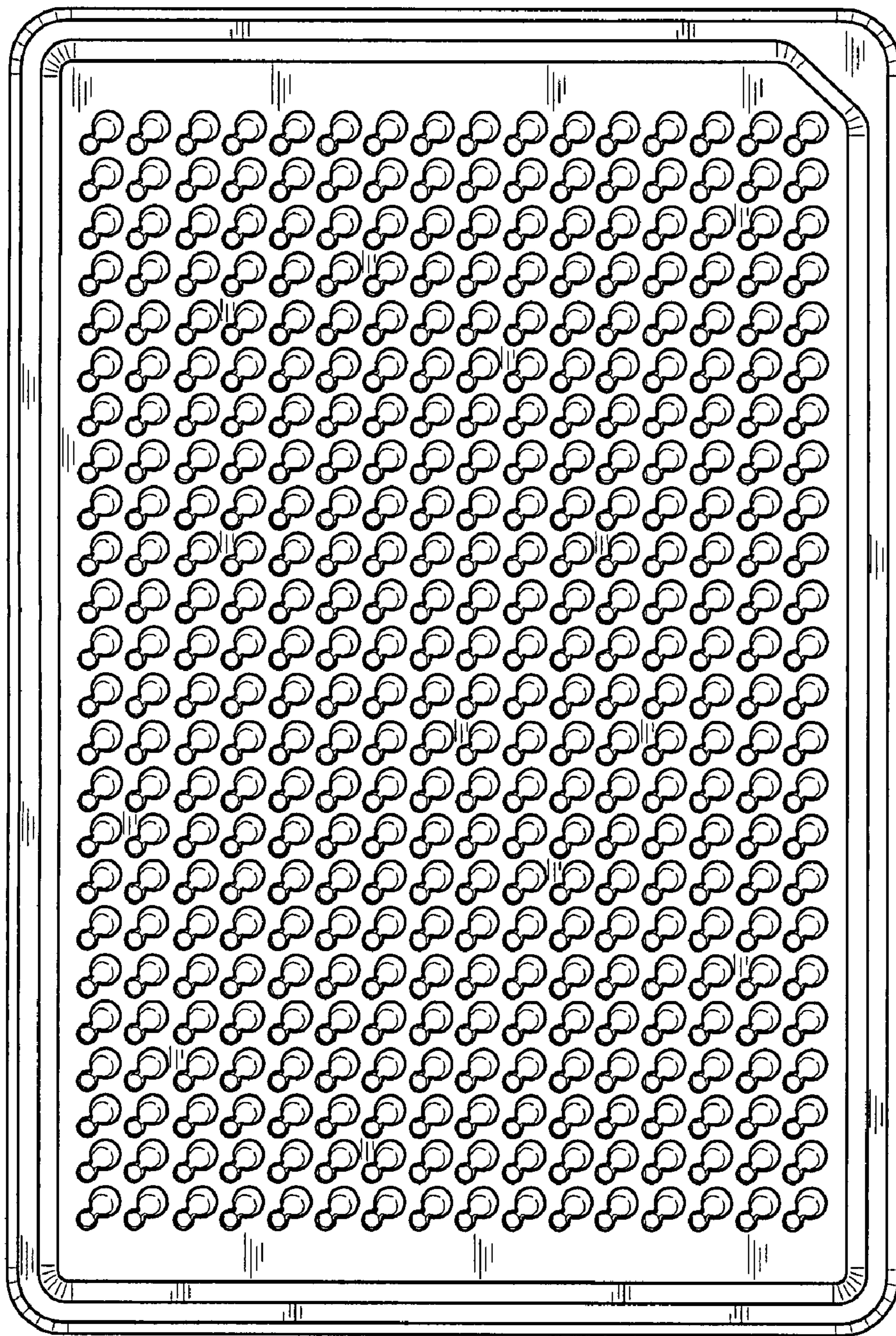


FIG. 2

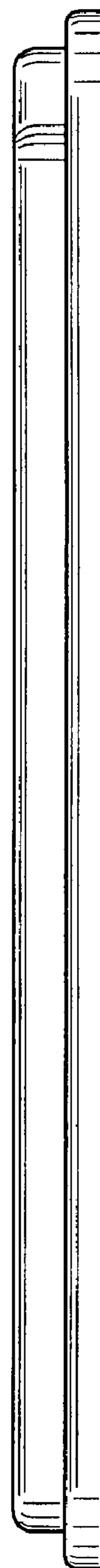


FIG. 3

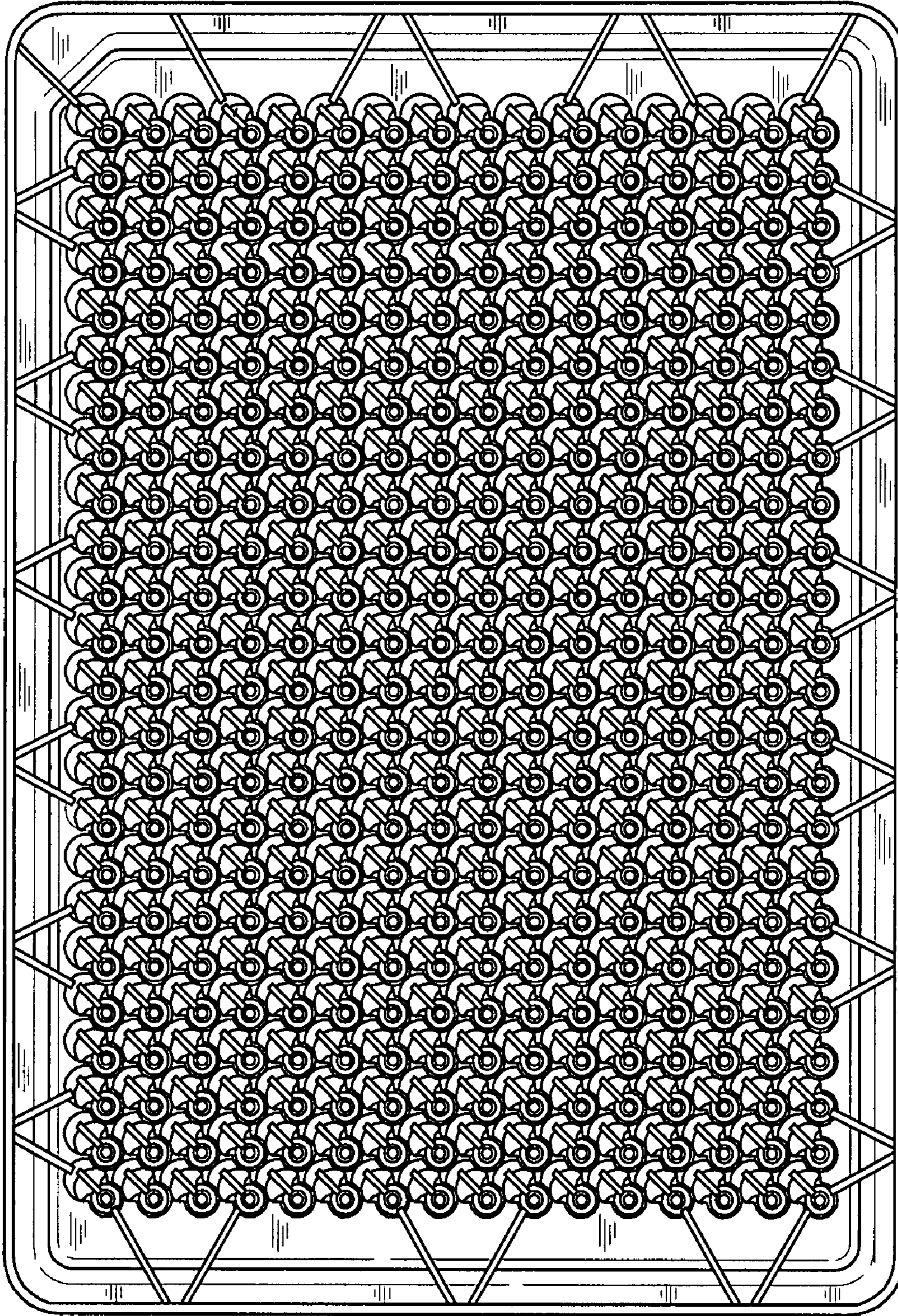


FIG. 4

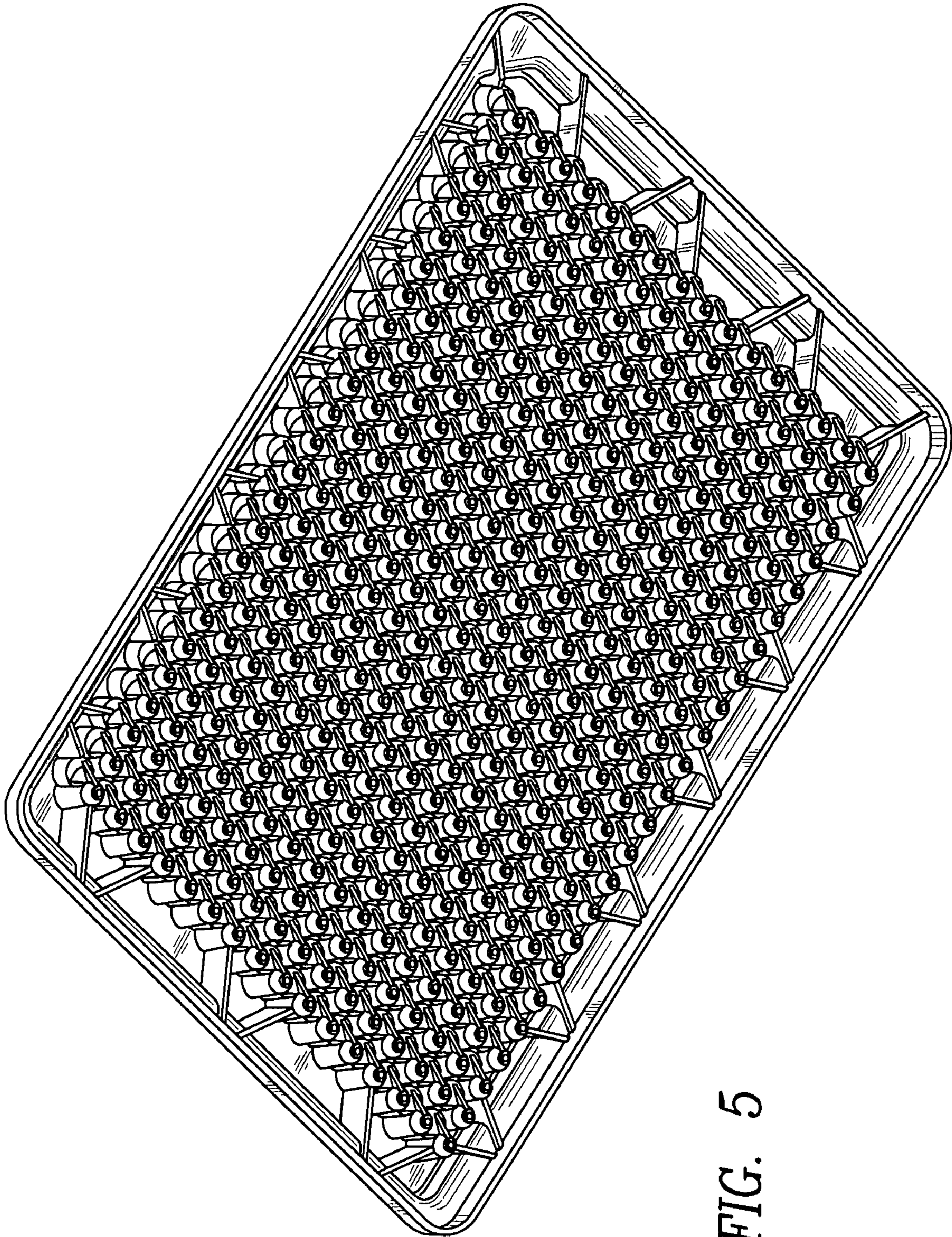


FIG. 5

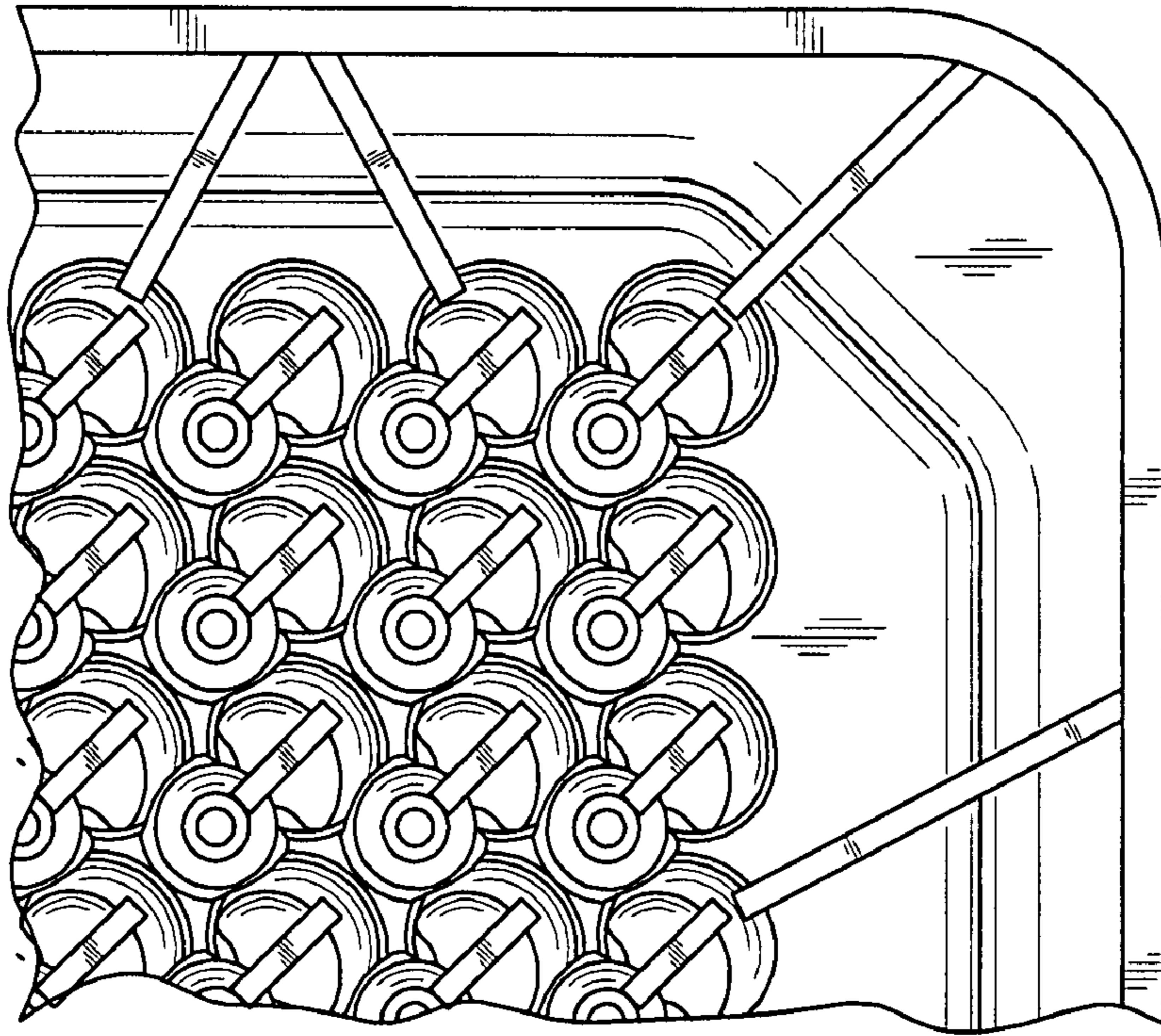


FIG. 6

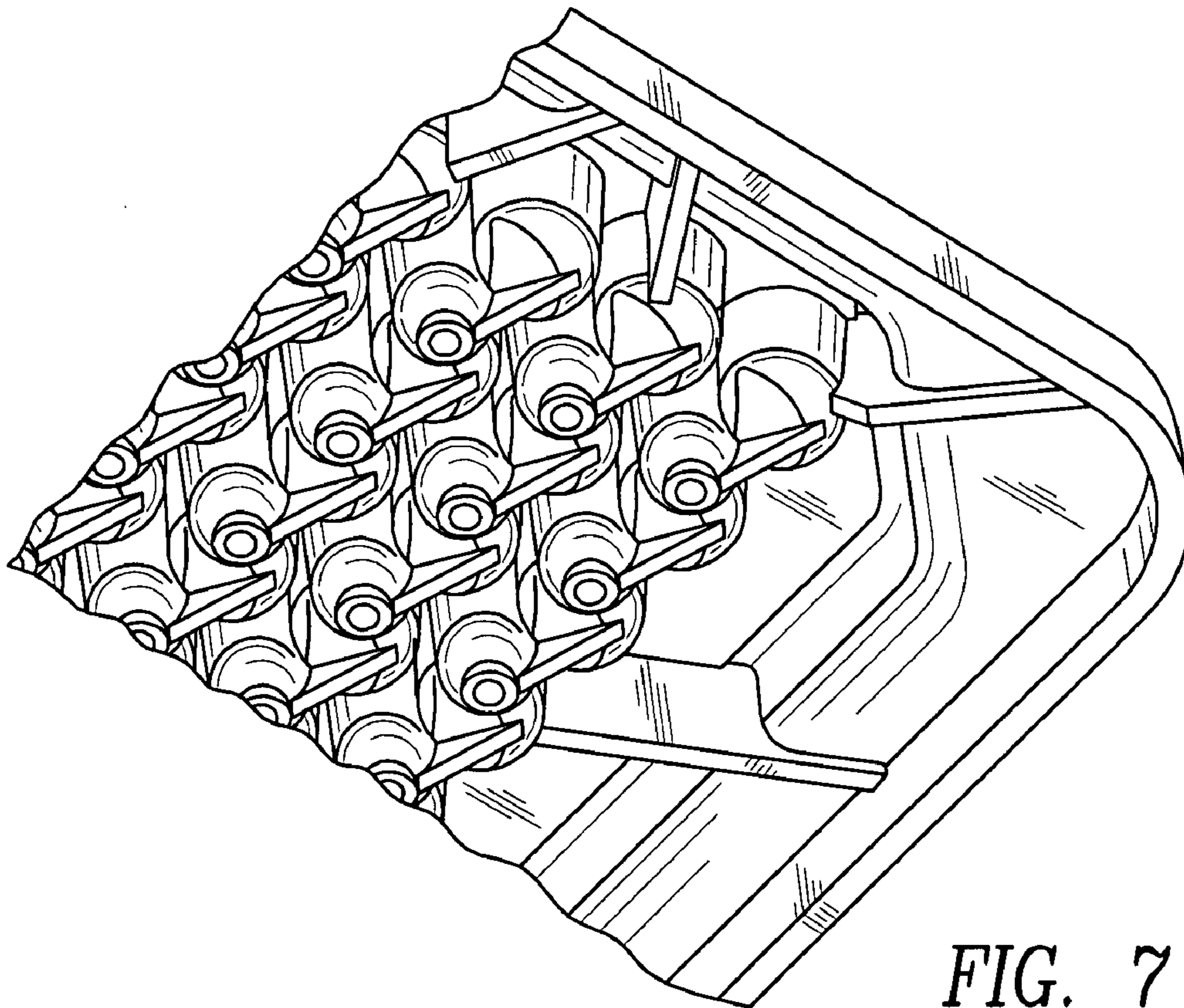


FIG. 7

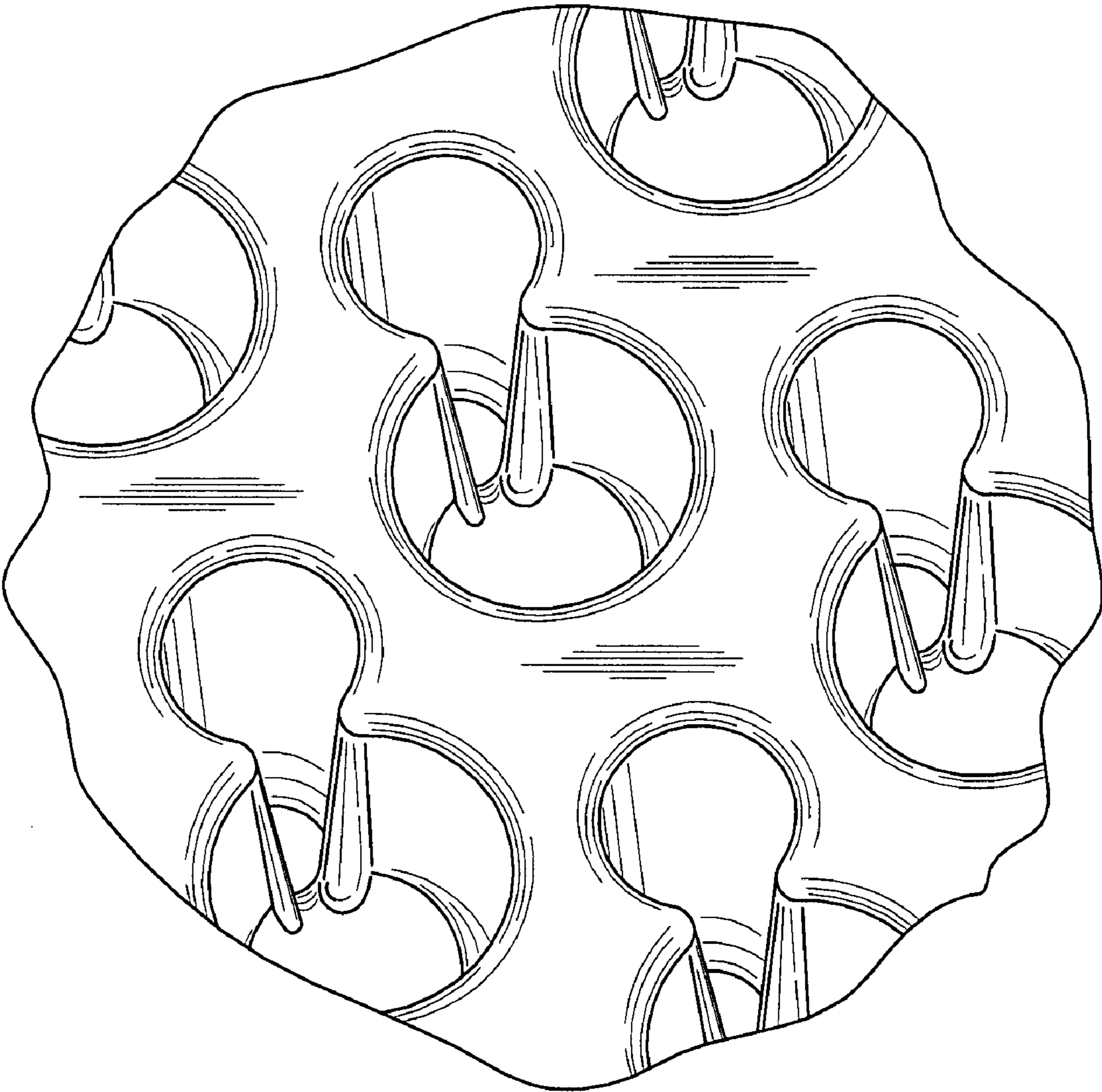


FIG. 8