



US00D562462S

(12) **United States Design Patent**
Muir et al.

(10) **Patent No.:** **US D562,462 S**

(45) **Date of Patent:** **** Feb. 19, 2008**

(54) **VIAL**
(75) Inventors: **Rod Muir**, Ontario (CA); **Derek Kirkland**, Quebec (CA); **Roy Sunstrum**, Ontario (CA); **Paul Lem**, Ontario (CA); **Ian Curry**, Ontario (CA)

D401,697 S * 11/1998 Cloonan et al. D24/224
5,830,154 A 11/1998 Goldstein et al.
5,909,753 A 6/1999 Rossi et al.
5,980,834 A 11/1999 Bruno
5,992,693 A 11/1999 Albisetti
6,076,570 A 6/2000 Byrne
6,135,275 A 10/2000 Kelders et al.

(73) Assignee: **DNA Genotek Inc.** (CA)

(Continued)

(**) Term: **14 Years**

FOREIGN PATENT DOCUMENTS

(21) Appl. No.: **29/261,119**

CA 101498 1/2004
EP 0273015 6/1988
EP 0734684 A1 10/1996
WO WO 01/34844 A1 5/2001
WO WO 01/60517 A2 8/2001
WO WO 03/104251 A2 12/2003

(22) Filed: **Jun. 8, 2006**

(30) **Foreign Application Priority Data**

Dec. 9, 2005 (CA) 113861

(51) **LOC (8) Cl.** **24-02**

(52) **U.S. Cl.** **D24/224**

(58) **Field of Classification Search** D24/216–230,
D24/110, 121; D9/439, 440, 503, 521; 422/99–102,
422/104; 435/288.1, 288.2, 294.1, 295.1;
356/246; 215/227, 296; D3/203.1, 203.2
See application file for complete search history.

Primary Examiner—Joel Sincavage
Assistant Examiner—Anhdao Doan
(74) *Attorney, Agent, or Firm*—Edell, Shapiro & Finnan, LLC

(57) **CLAIM**

The ornamental design for a vial, as shown and described.

(56) **References Cited**

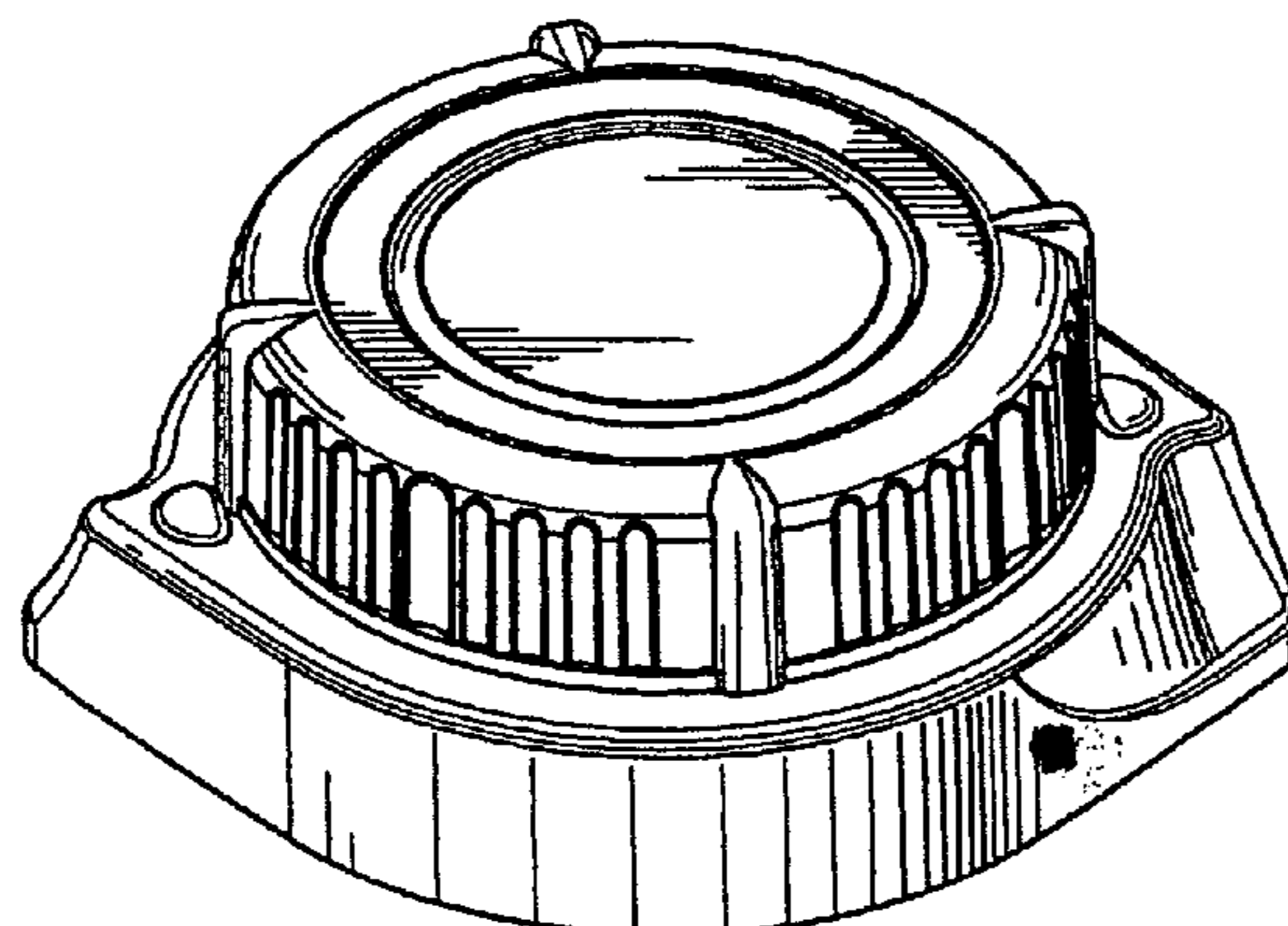
DESCRIPTION

U.S. PATENT DOCUMENTS

D241,416 S 9/1976 Aul
D246,600 S 12/1977 Kurata
D246,698 S * 12/1977 Morris D9/439
4,340,147 A 7/1982 McIntosh
4,583,971 A 4/1986 Bocquet et al.
D285,115 S * 8/1986 Proud et al. D24/224
4,741,346 A 5/1988 Wong et al.
4,785,931 A 11/1988 Weir et al.
D310,264 S 8/1990 Leoncavallo et al.
5,029,718 A 7/1991 Rizzardi
D338,956 S * 8/1993 Hadaway et al. D24/100
5,477,863 A 12/1995 Grant
5,540,326 A 7/1996 Arnold et al.
5,567,309 A 10/1996 Classon et al.
D383,214 S * 9/1997 Brennan D24/224
D383,851 S * 9/1997 Wong D24/224
5,692,644 A 12/1997 Gueret

FIG. 1 is a front perspective view of a vial illustrating a first variant of the present design;
FIG. 2 is a top plan view of the vial of FIG. 1;
FIG. 3 is a left side view of the vial of FIG. 1;
FIG. 4 is a right side view of the vial of FIG. 1;
FIG. 5 is a bottom plan view of the vial of FIG. 1;
FIG. 6 is a cross-sectional view of the vial of FIG. 1 taken along the line 6—6 as shown in FIG. 2;
FIG. 7 is a top perspective view of the vial of FIG. 1, with the cap shown in an open position; and,
FIG. 8 is a bottom perspective view of the vial of FIG. 1, with the cap shown in an open position.

1 Claim, 4 Drawing Sheets



US D562,462 S

Page 2

U.S. PATENT DOCUMENTS

6,182,845 B1 2/2001 Wolfe et al.
6,247,586 B1 6/2001 Herzog et al.
6,291,178 B1 9/2001 Schneider
6,562,300 B2 5/2003 Rosen et al.
6,582,415 B1 6/2003 Fowles et al.
6,617,170 B2 9/2003 Augello et al.
6,634,234 B1 10/2003 Haas

D507,351 S 7/2005 Birnboim
2001/0008614 A1 7/2001 Aronowitz
2001/0039058 A1 11/2001 Iheme et al.
2002/0185389 A1 12/2002 Kelders et al.
2004/0038269 A1 2/2004 Birnboim
2005/0040052 A1 2/2005 Dixon

* cited by examiner

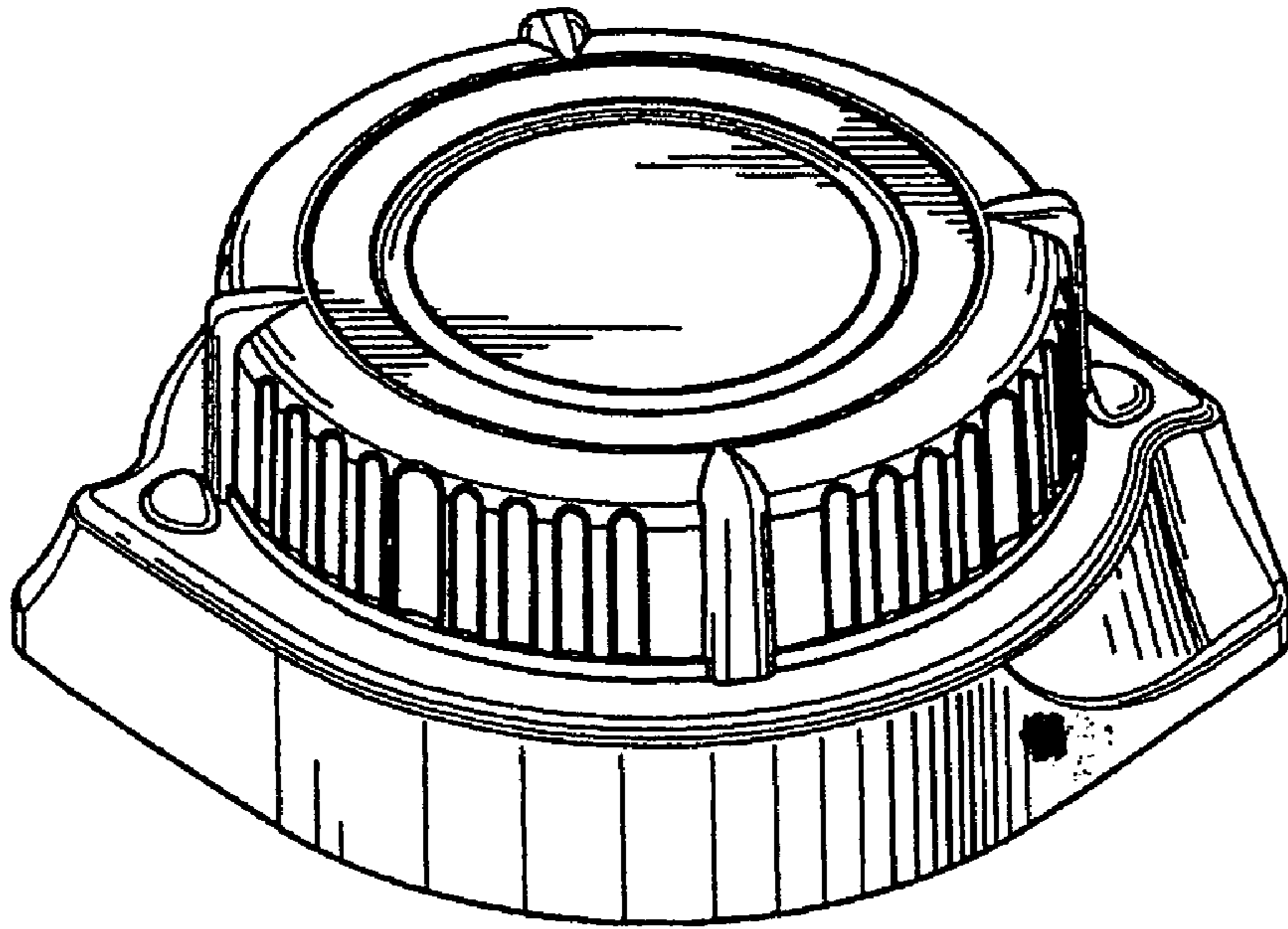


FIG. 1

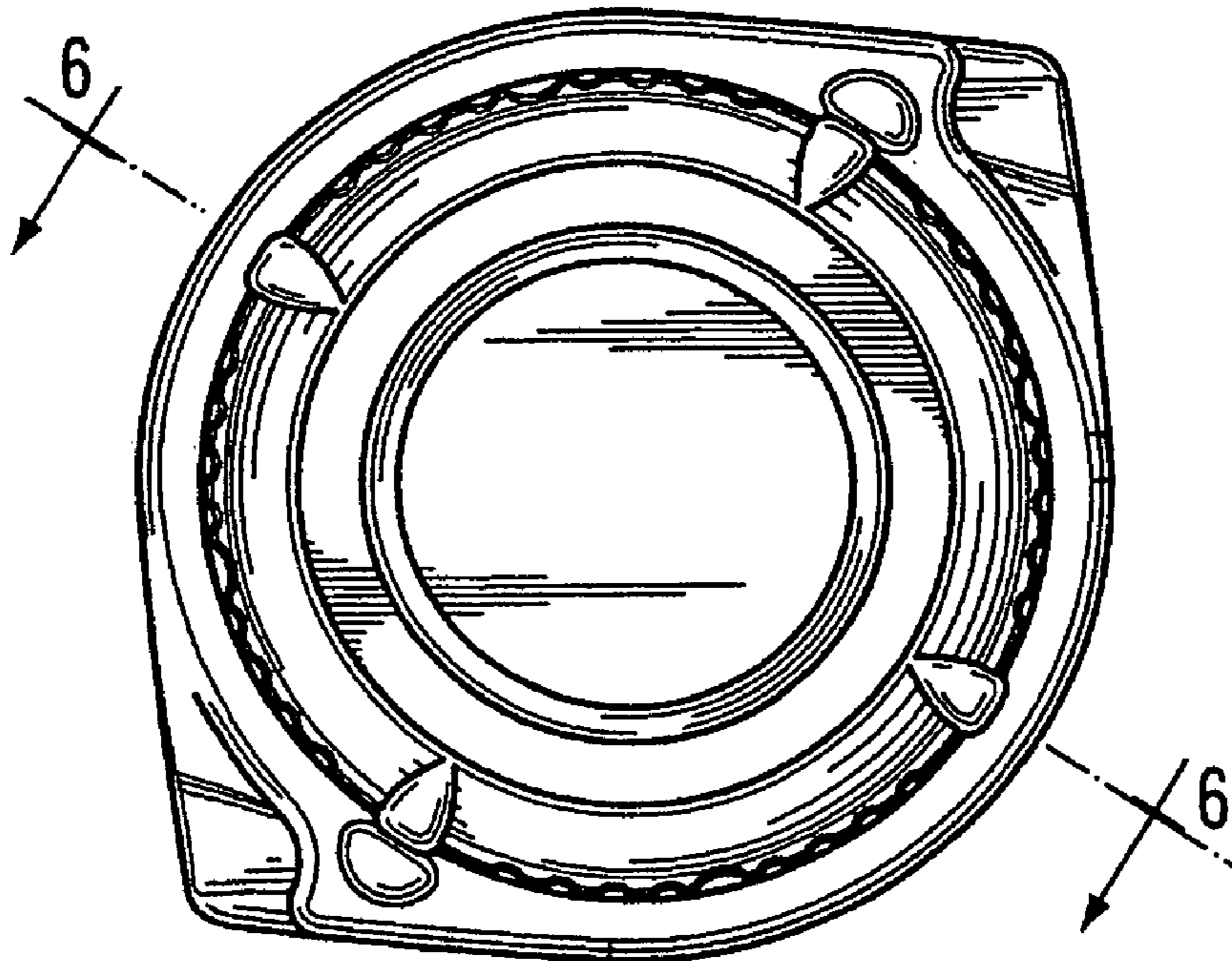


FIG. 2

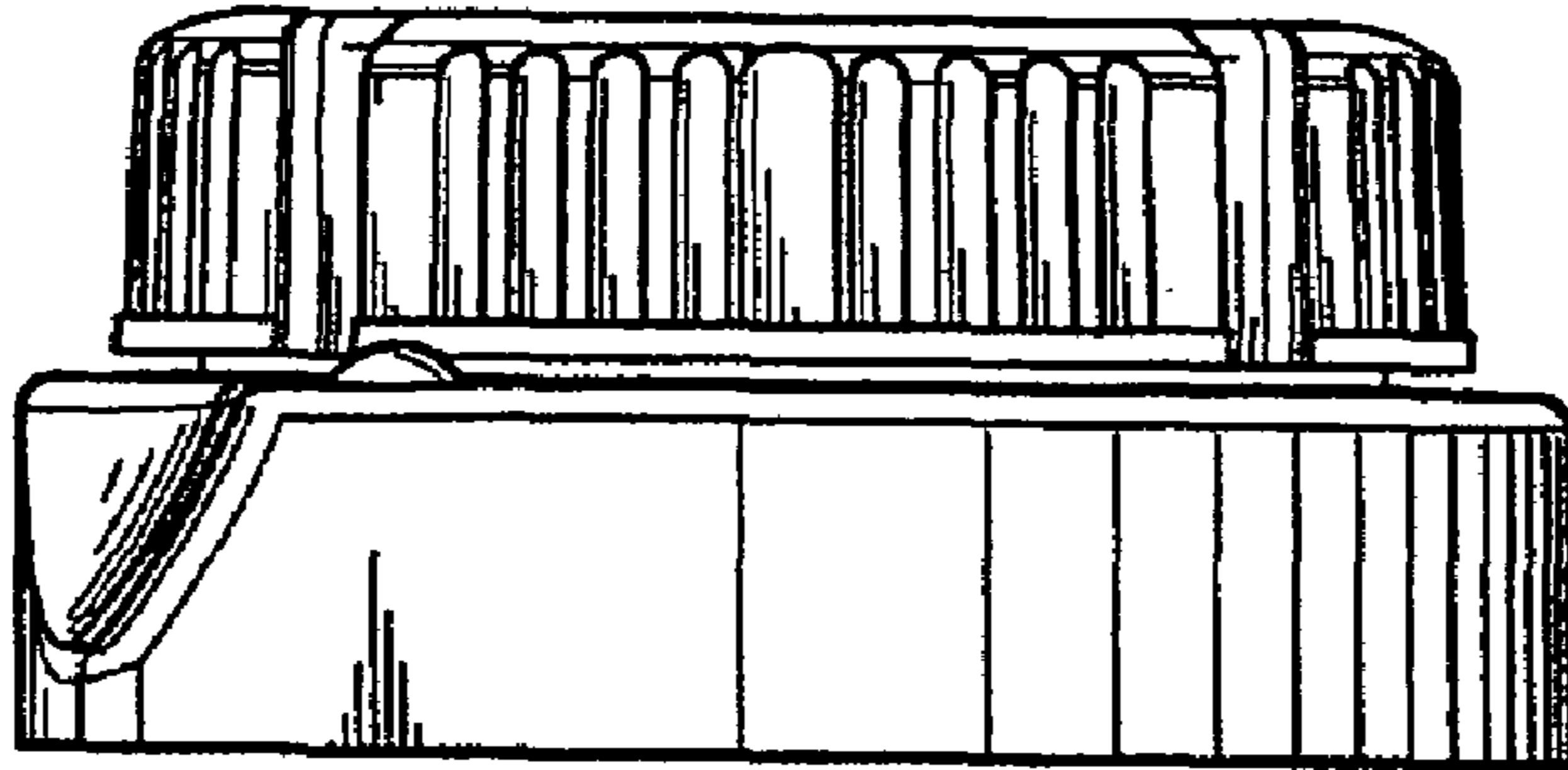


FIG. 3

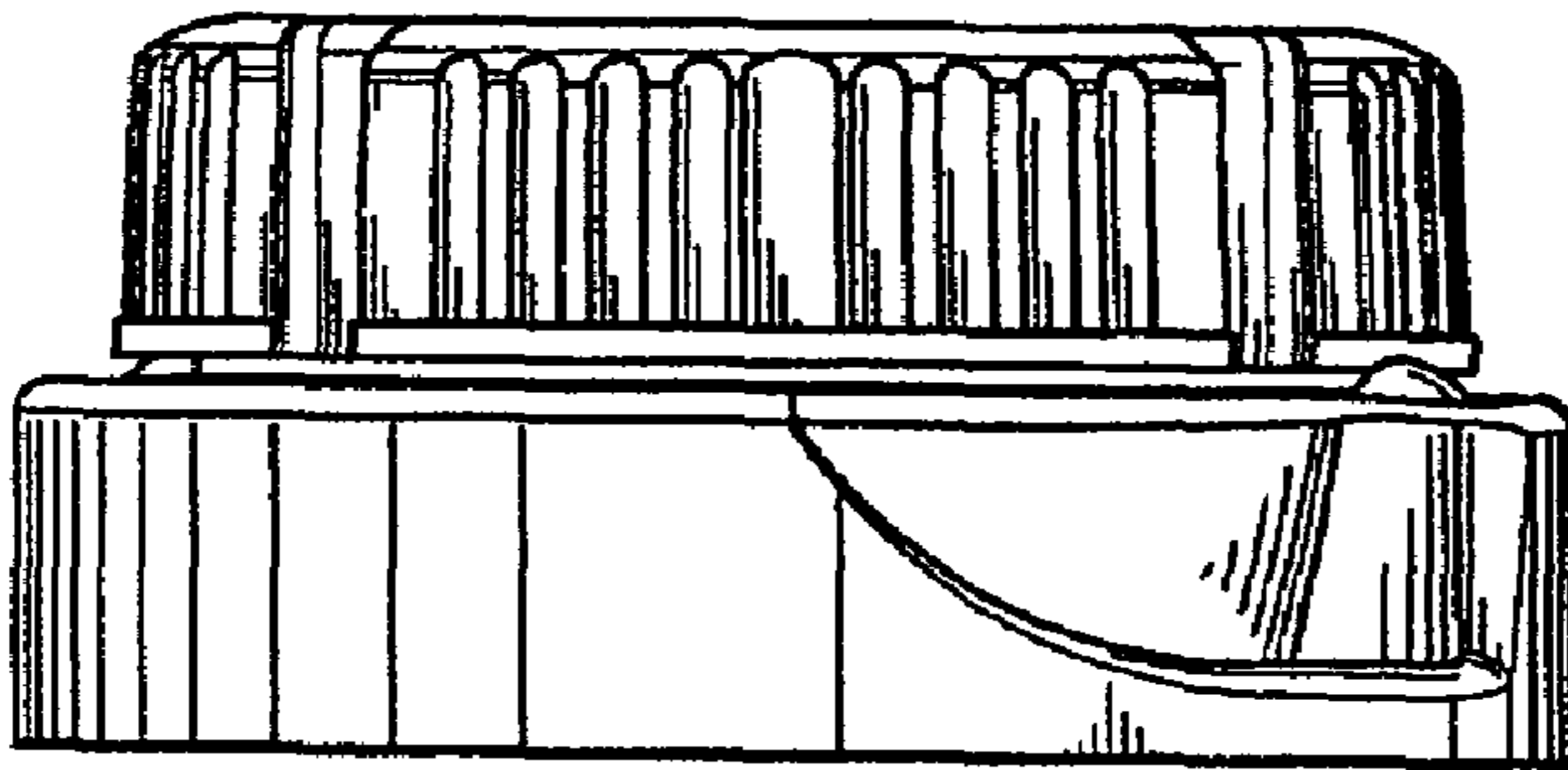


FIG. 4

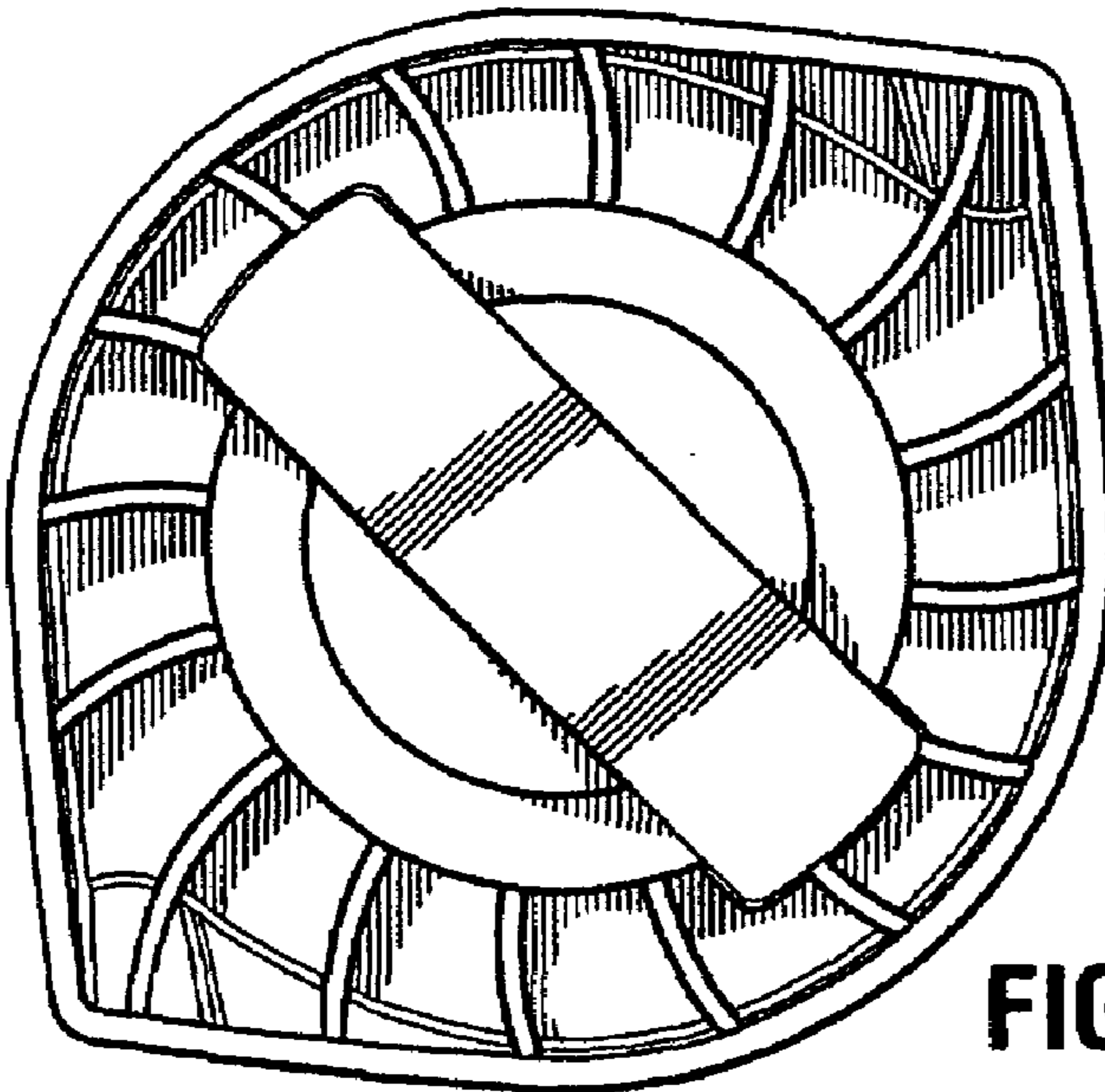


FIG. 5

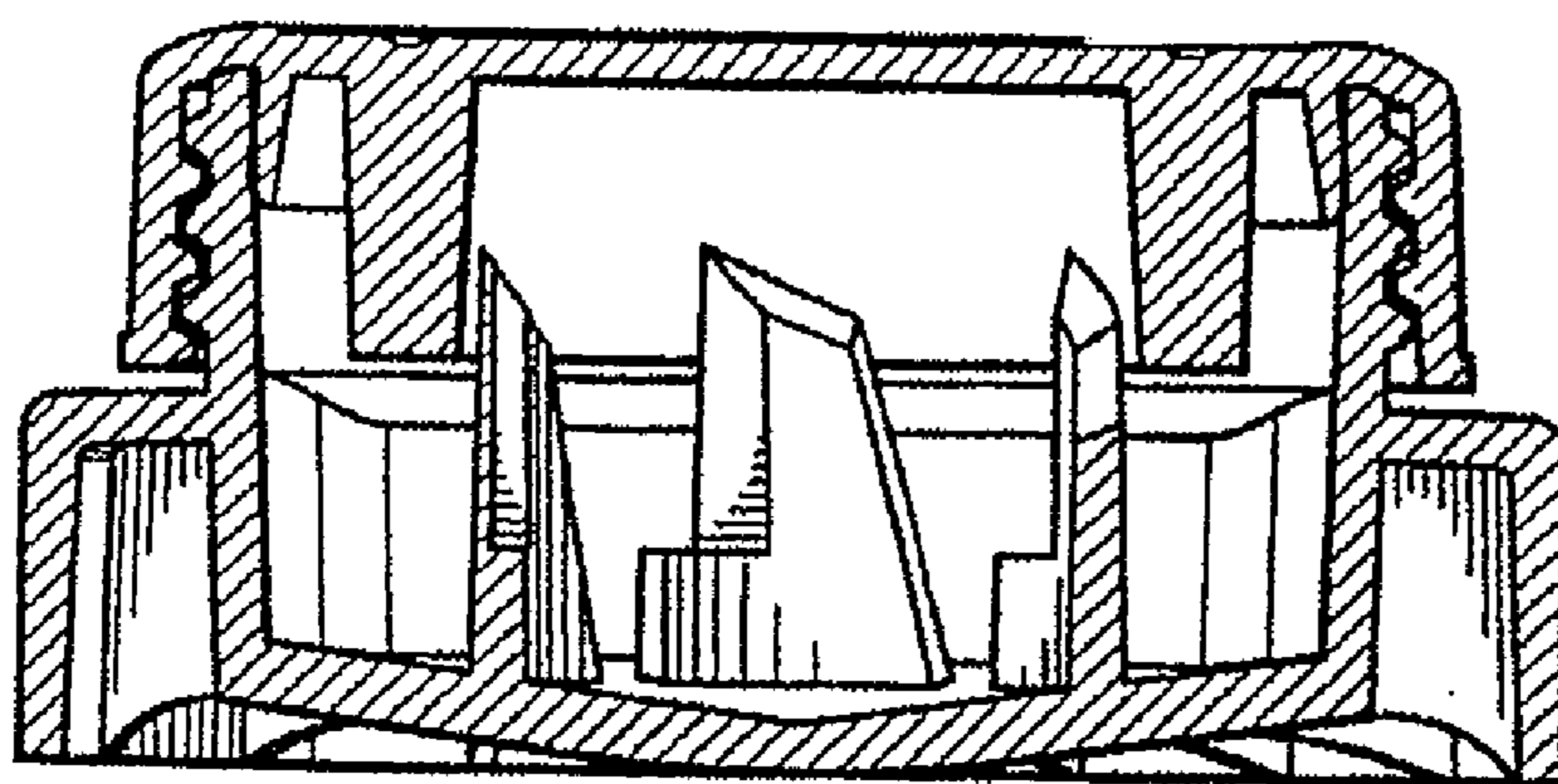


FIG. 6

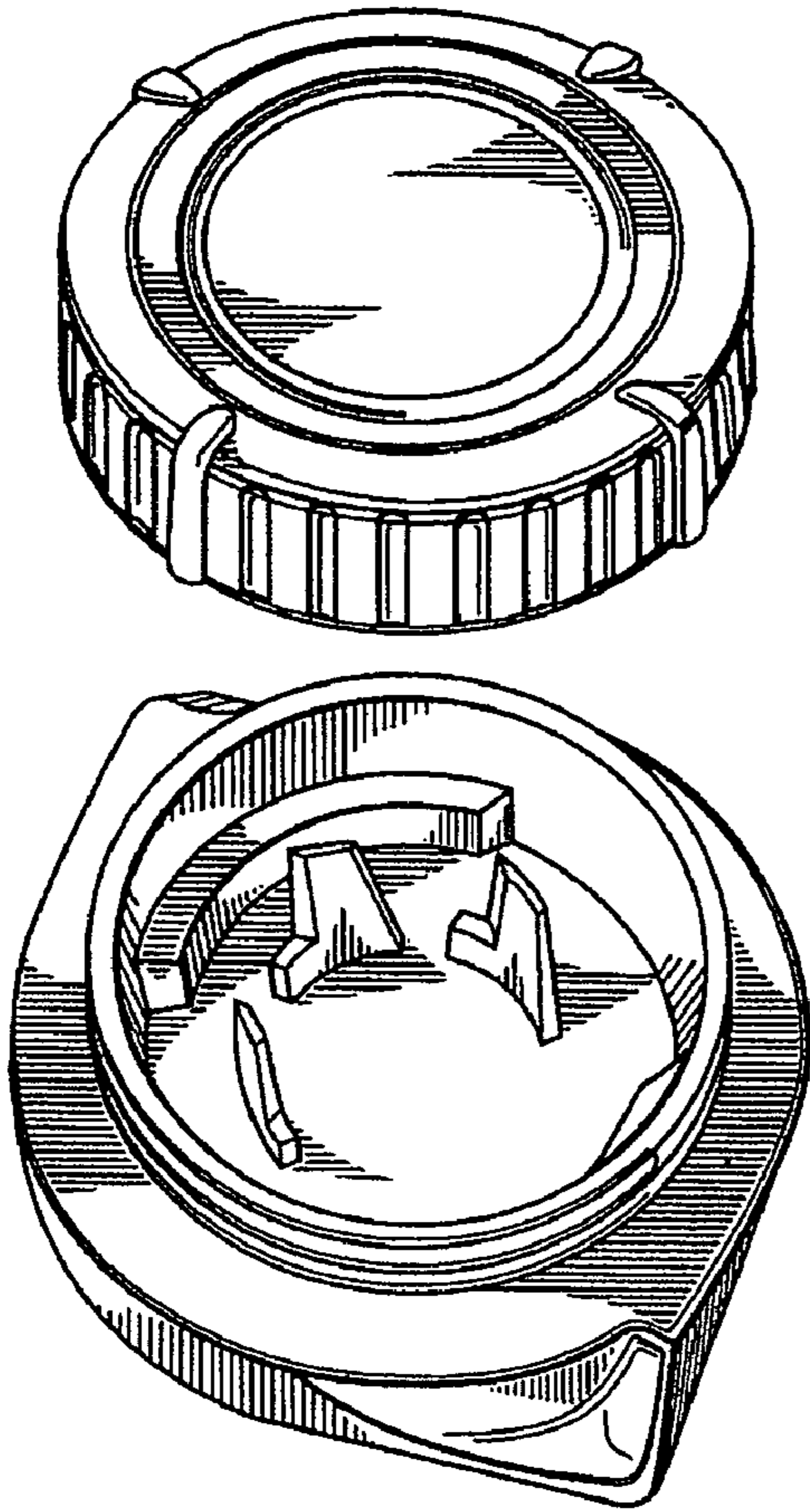


FIG. 7

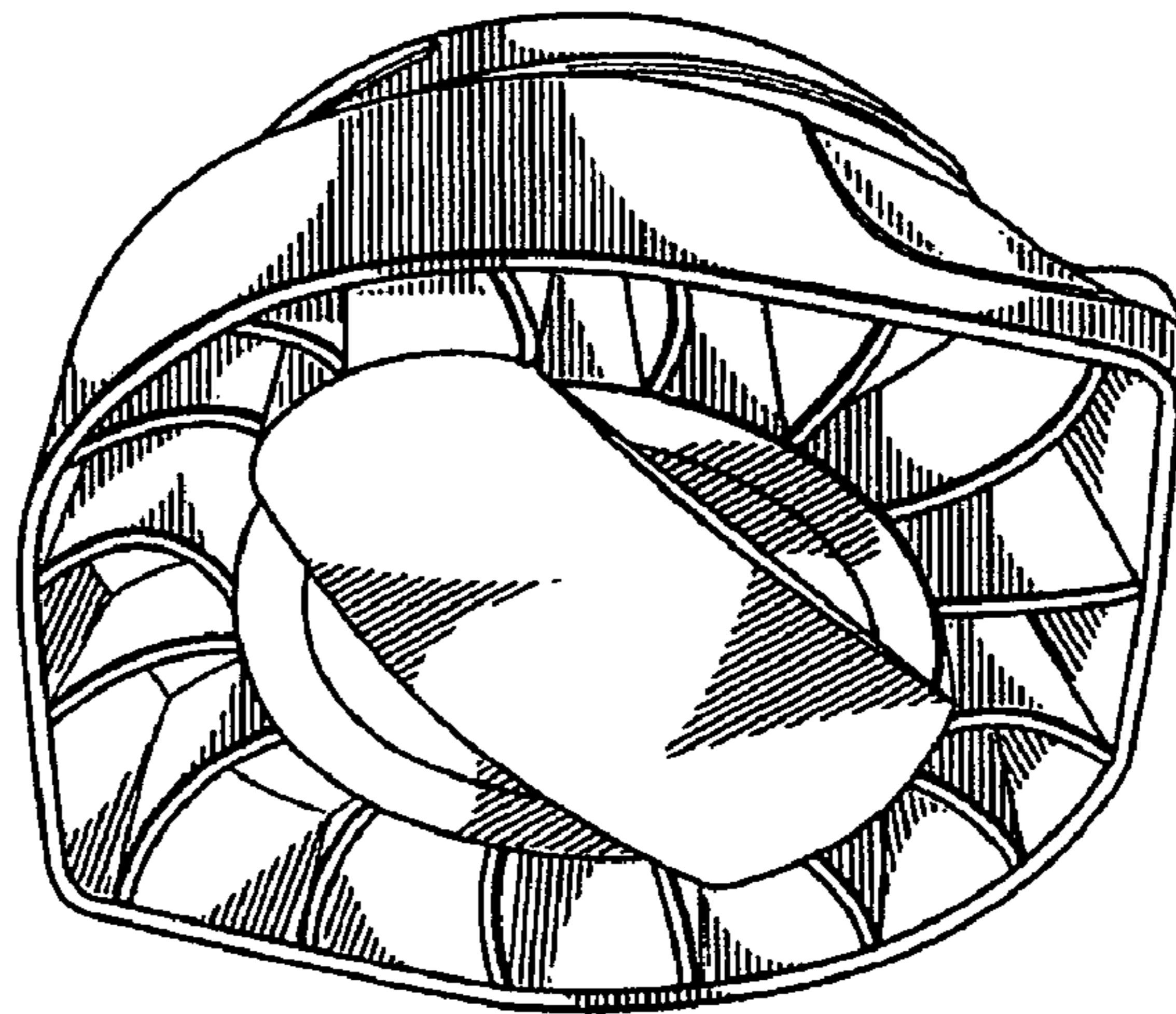
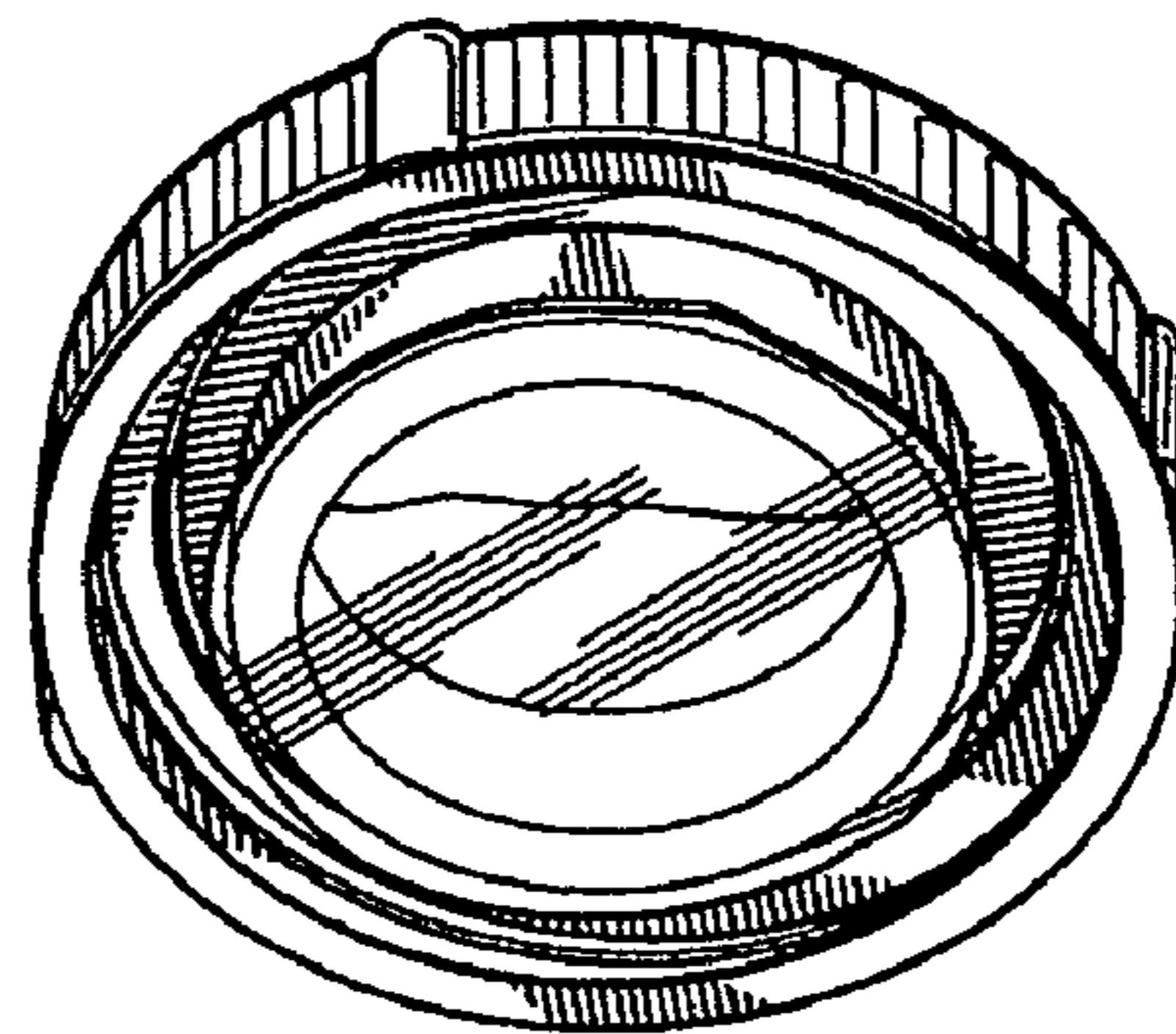


FIG. 8