



US00D562459S

(12) **United States Design Patent**
Jurkiewicz

(10) **Patent No.:** **US D562,459 S**

(45) **Date of Patent:** **** Feb. 19, 2008**

(54) **BEHIND THE EAR SOUND PROCESSOR**

(75) Inventor: **Tadeusz Jurkiewicz**, Rozelle (AU)

(73) Assignee: **Cochlear Limited**, Lane Cove (AU)

(**) Term: **14 Years**

(21) Appl. No.: **29/269,383**

(22) Filed: **Nov. 30, 2006**

(51) **LOC (8) Cl.** **24-04**

(52) **U.S. Cl.** **D24/174**

(58) **Field of Classification Search** D24/173,
D24/174; D14/205, 223; 381/23.1, 312,
381/322-330, 380-382; 181/129, 130, 134,
181/135, 137

See application file for complete search history.

(56) **References Cited**

U.S. PATENT DOCUMENTS

D354,568 S *	1/1995	Araki et al.	D24/174
D411,885 S *	7/1999	Mavrakis et al.	D24/174
D473,946 S *	4/2003	Darley et al.	D24/173
D498,227 S *	11/2004	Dyer et al.	D14/205
D505,943 S *	6/2005	Han et al.	D14/223
D516,216 S *	2/2006	Portmann	D24/174
D520,496 S *	5/2006	Gwee	D14/223
D530,819 S *	10/2006	Jurkiewicz et al.	D24/174

* cited by examiner

Primary Examiner—Joel A. Sincavage

Assistant Examiner—Anhdao Doan

(74) *Attorney, Agent, or Firm*—Connolly Bove Lodge & Hutz, LLP

(57) **CLAIM**

I claim the ornamental design for a behind the ear sound processor, as shown and described.

DESCRIPTION

FIG. 1 is a rear perspective view of a behind the ear sound processor constructed in accordance with one embodiment of the present invention;

FIG. 2 is a rear elevation view thereof;

FIG. 3 is a front elevation view thereof;

FIG. 4 is a top side elevation view thereof;

FIG. 5 is a right side elevation view thereof;

FIG. 6 is a bottom side elevation view thereof;

FIG. 7 is an exploded rear perspective view thereof;

FIG. 8 is an exploded rear elevation view thereof;

FIG. 9 is an exploded front elevation view thereof;

FIG. 10 is an exploded top side elevation view thereof;

FIG. 11 is an exploded right side elevation view thereof; and,

FIG. 12 is an exploded bottom side elevation view thereof.

The broken lines in the drawings depict unclaimed environmental subject matter and form no part of the claimed design.

1 Claim, 10 Drawing Sheets

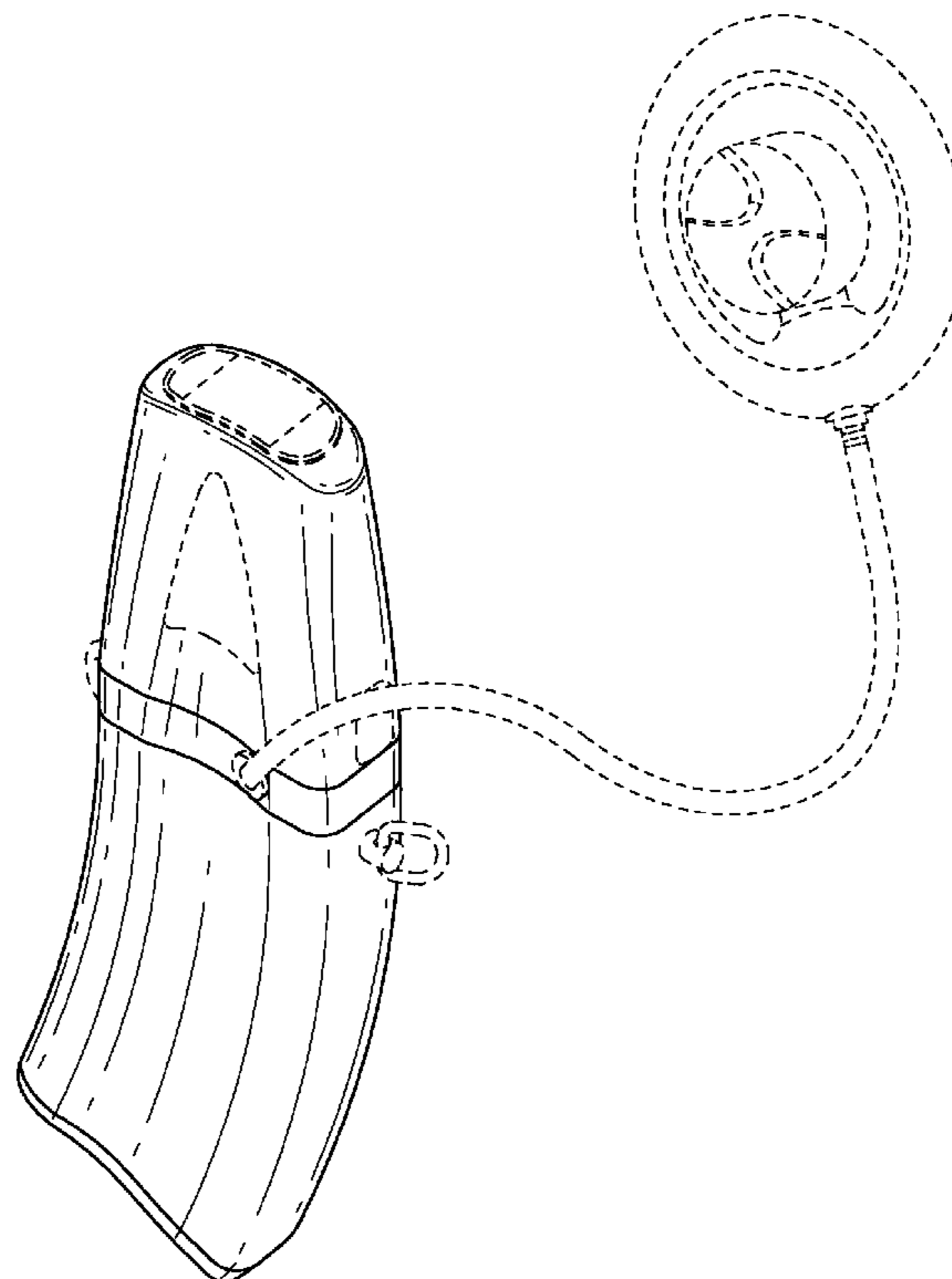


FIG. 1

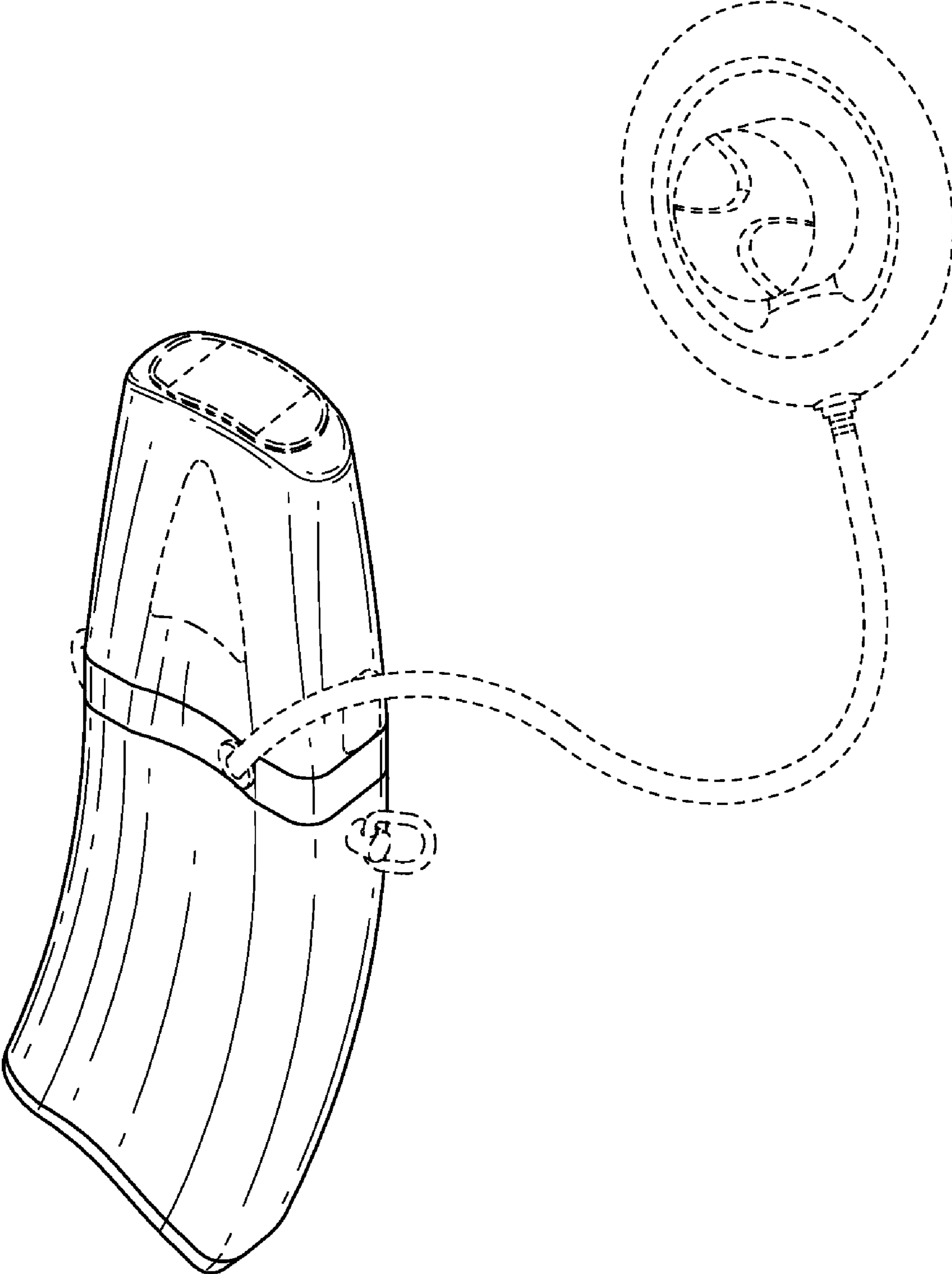


FIG. 2

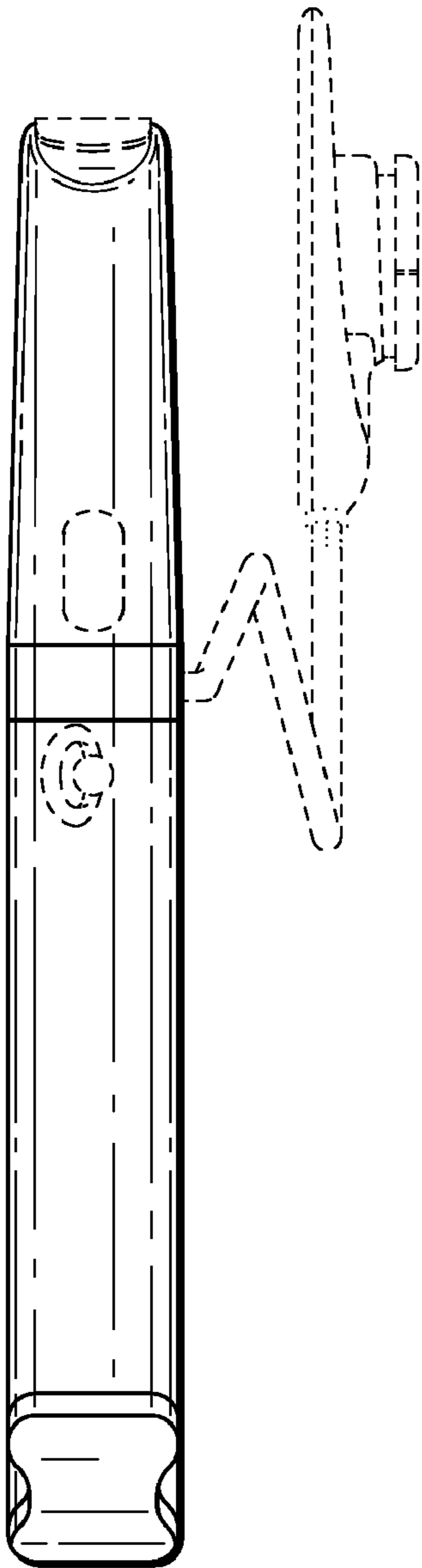


FIG. 3

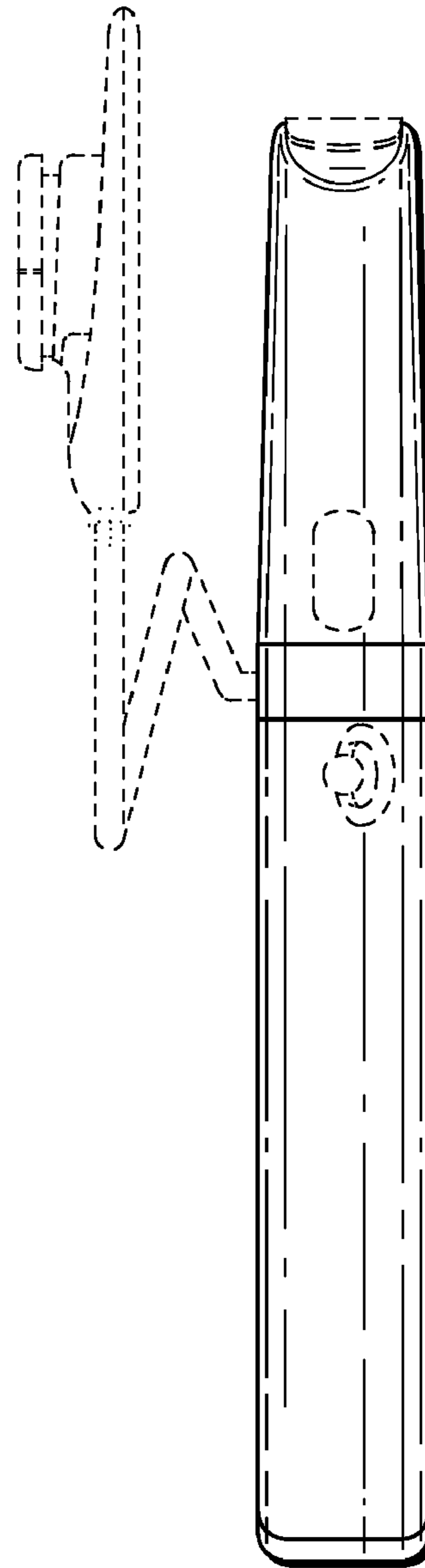


FIG. 4

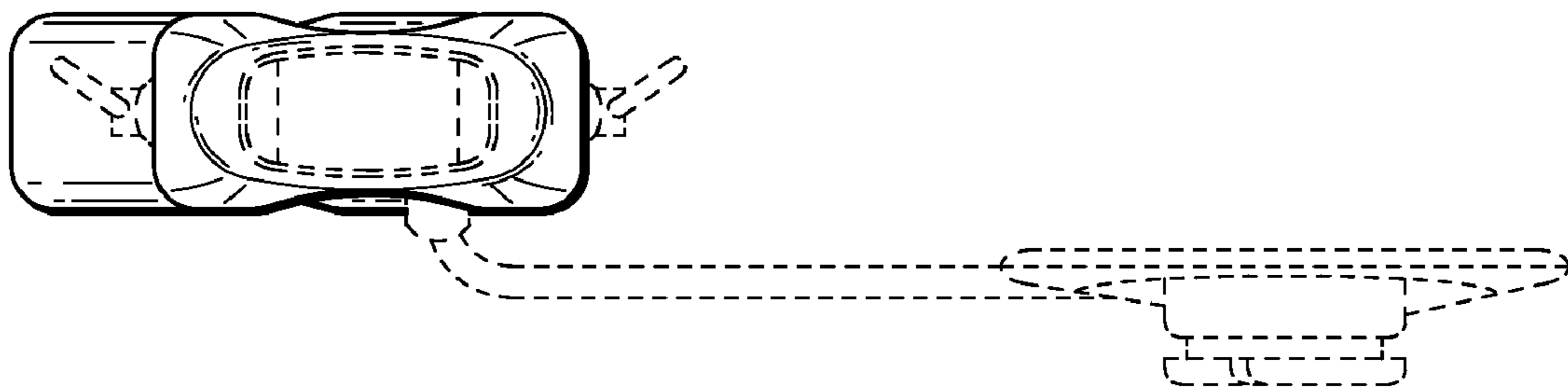


FIG. 5

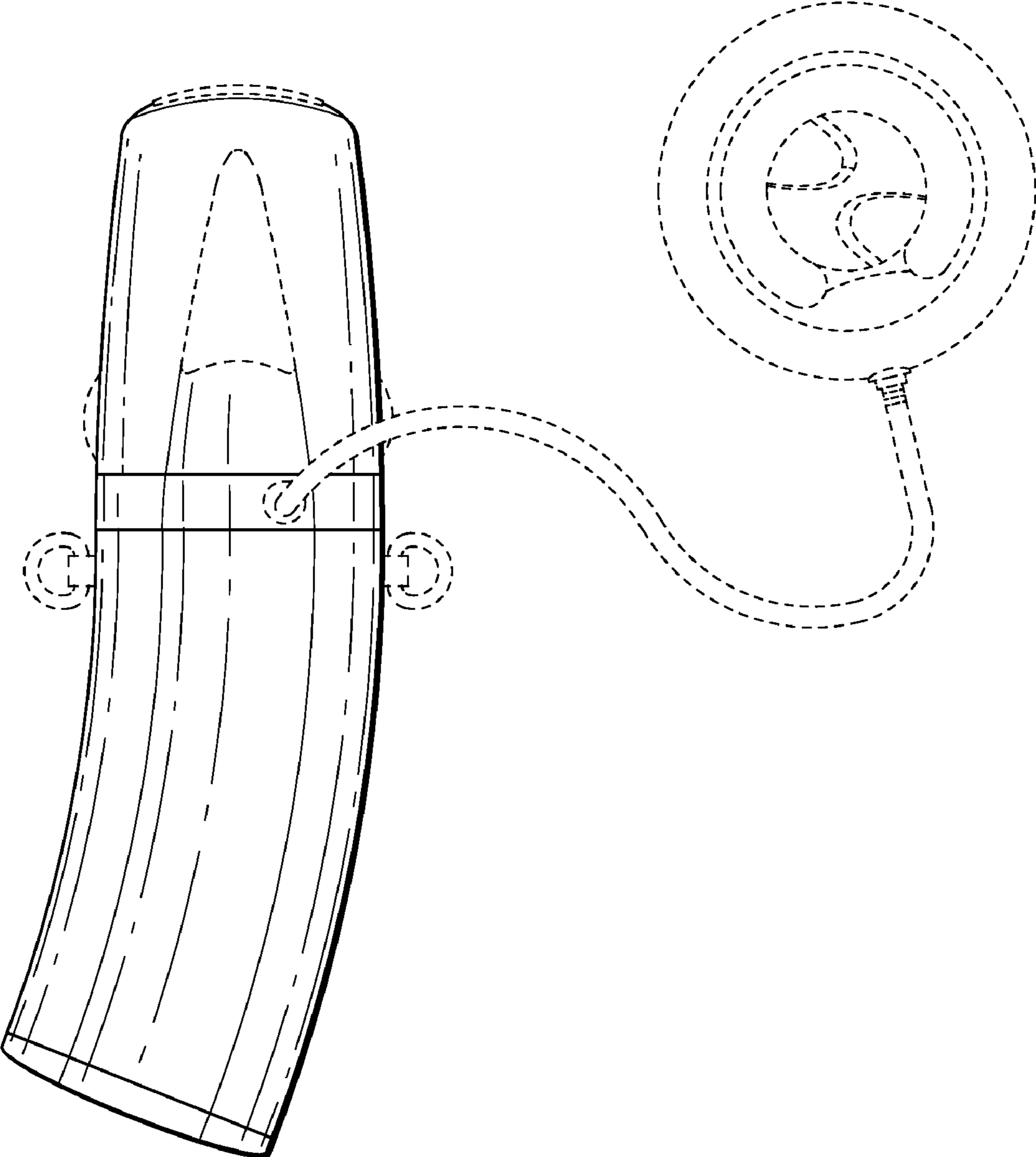


FIG. 6

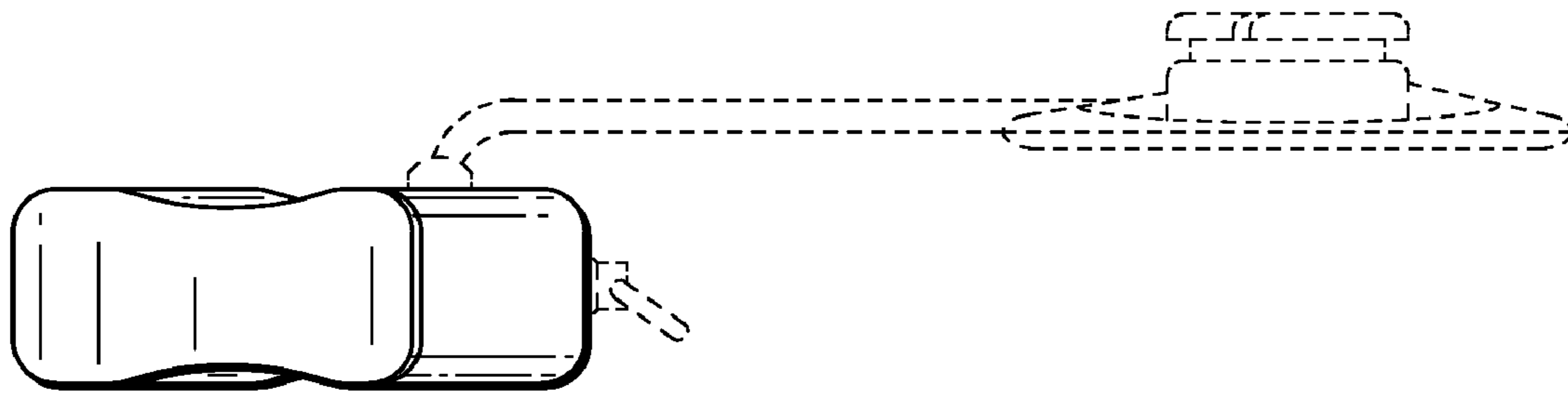


FIG. 7

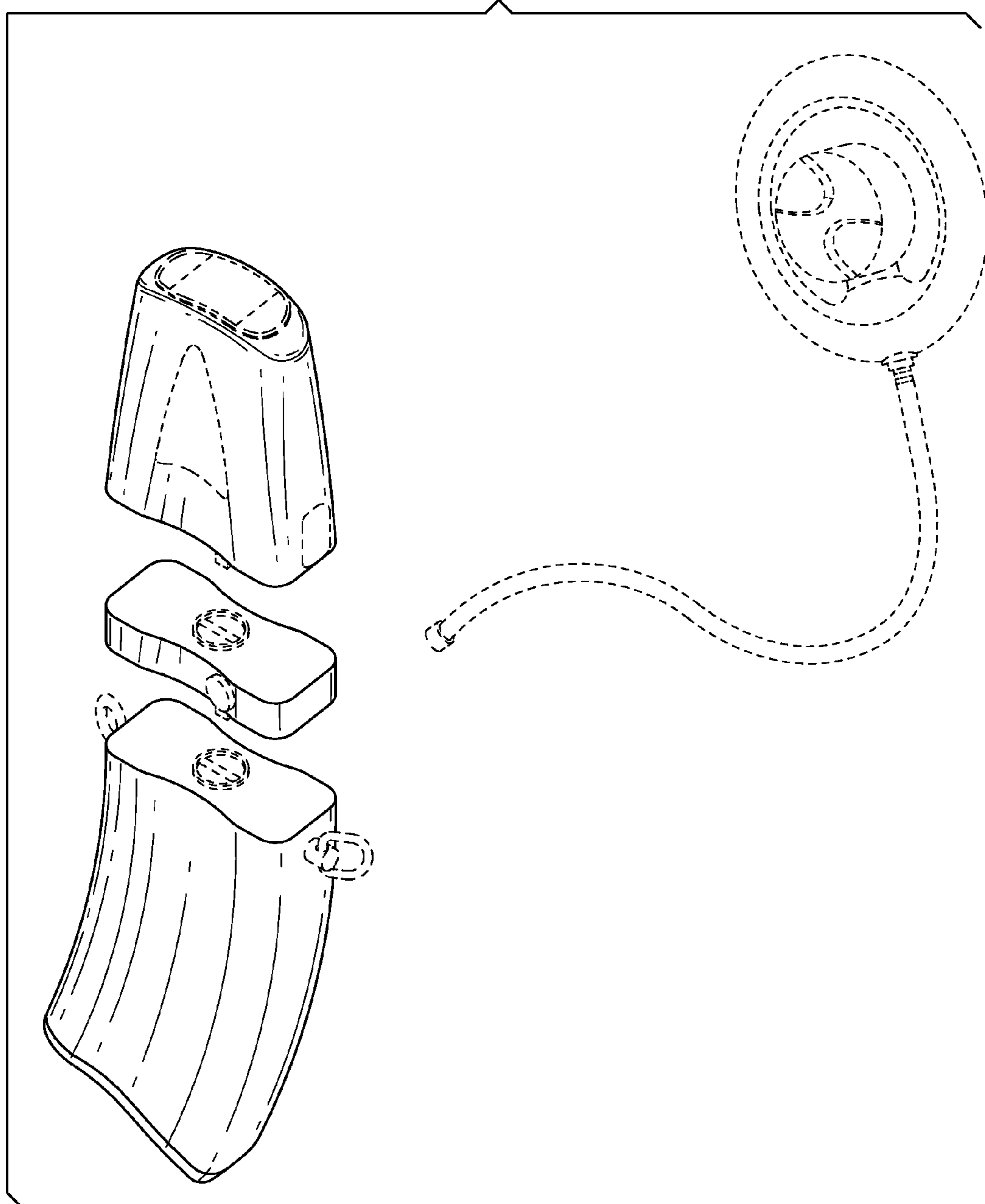


FIG. 8

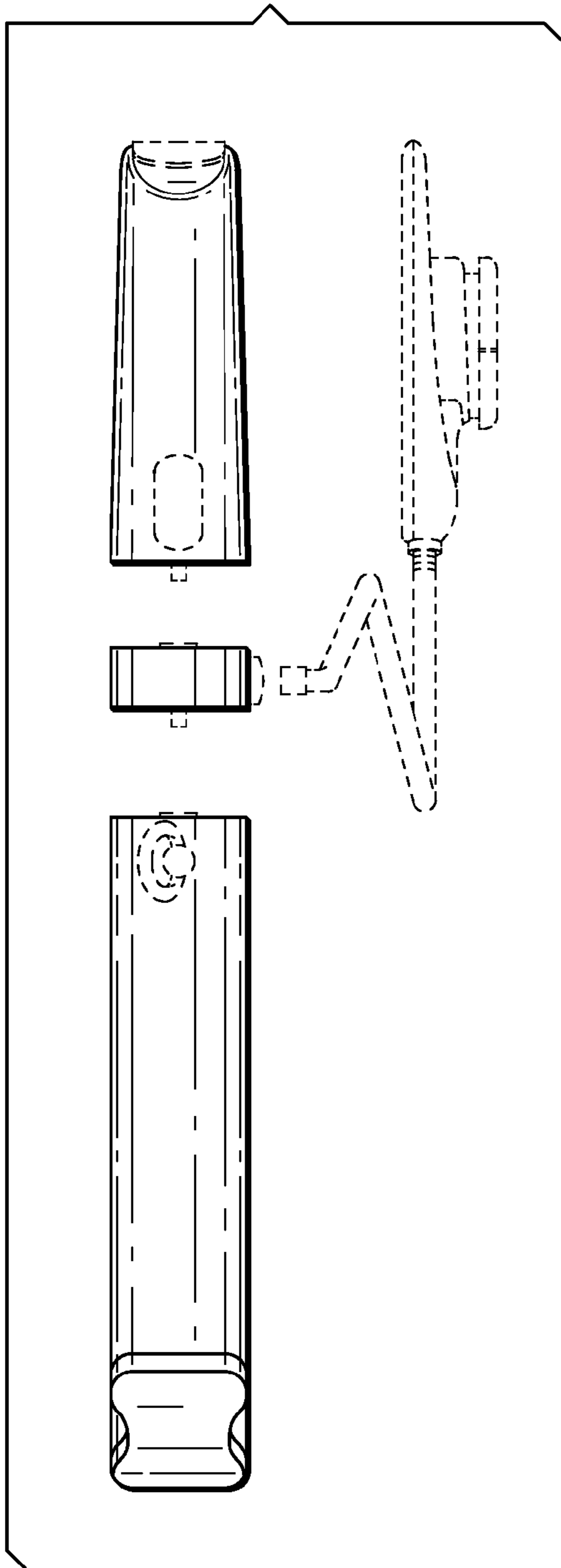


FIG. 9

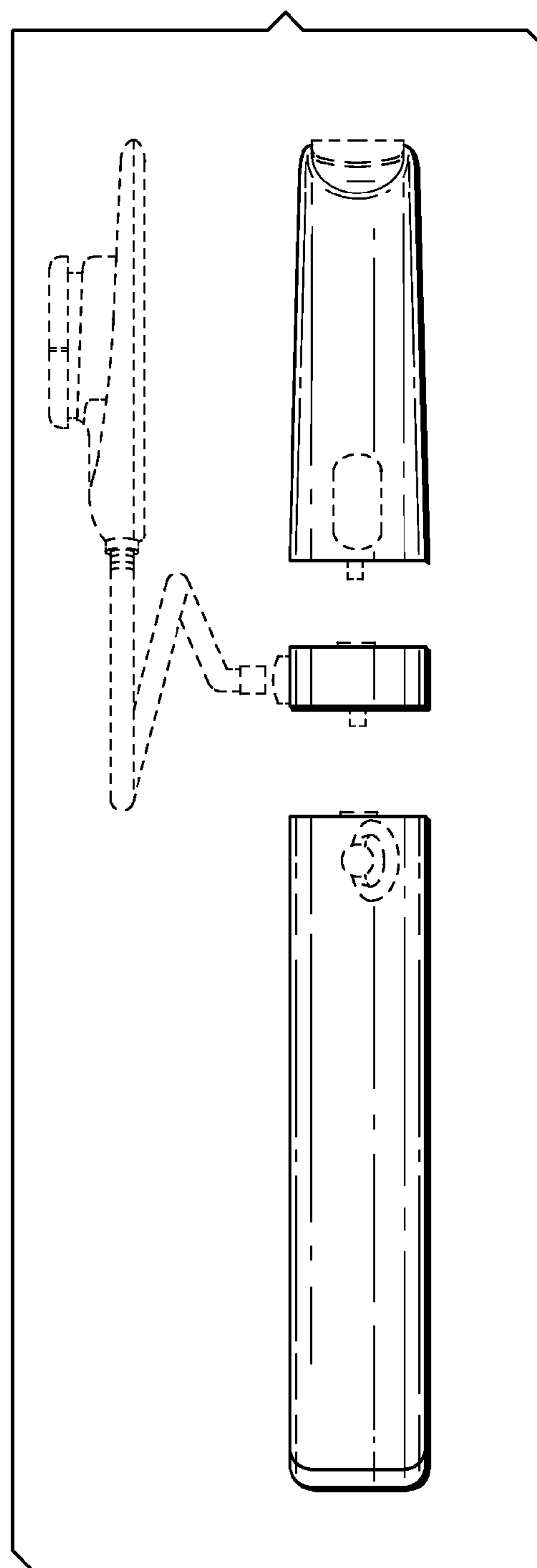


FIG. 10

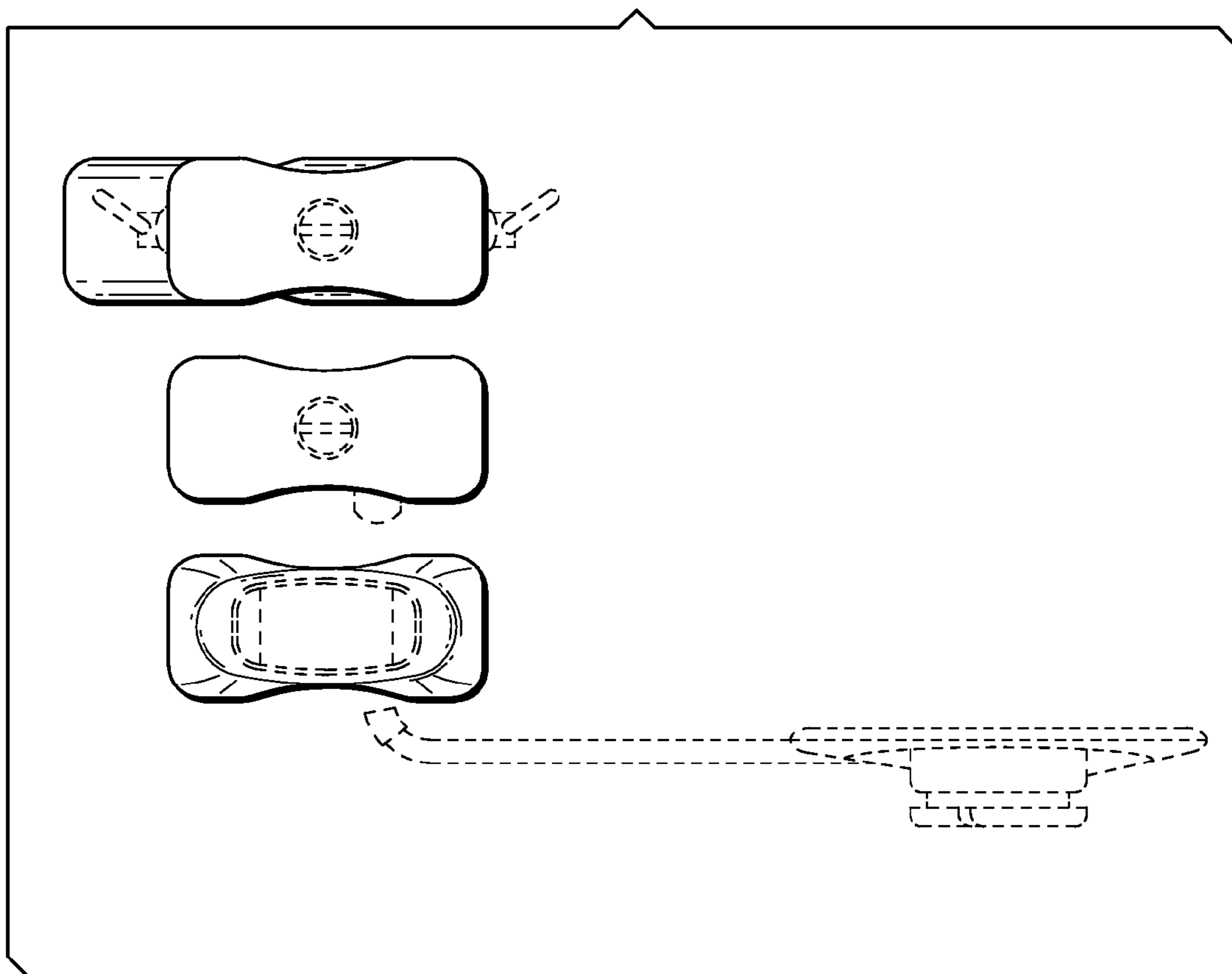


FIG. 11

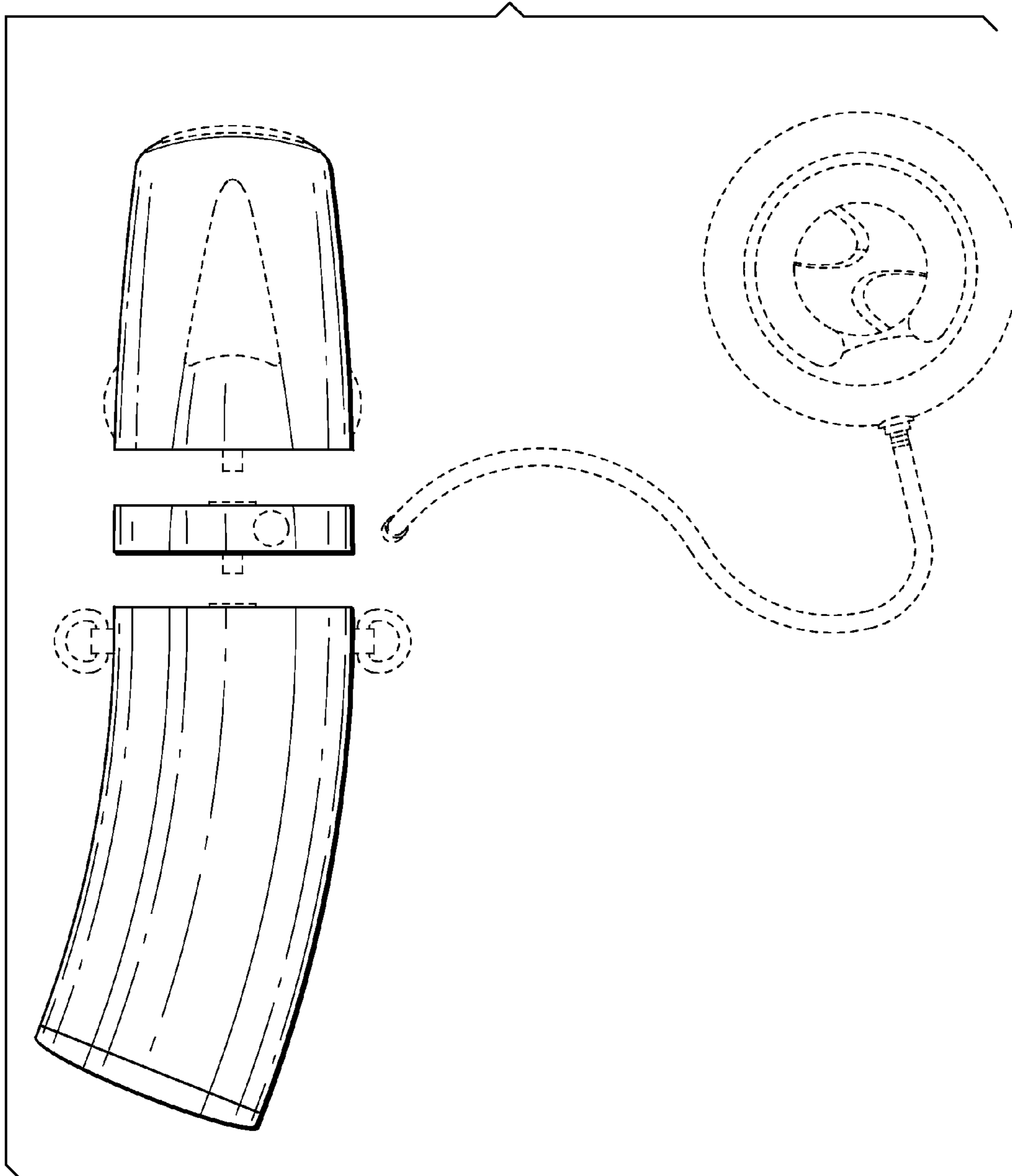


FIG. 12

