

US00D562457S

(12) **United States Design Patent**
Ferber et al.

(10) **Patent No.:** **US D562,457 S**

(45) **Date of Patent:** **** Feb. 19, 2008**

(54) **BLOOD PRESSURE MONITOR**

(75) Inventors: **Roman S. Ferber**, West Bloomfield, MI (US); **Robert T. McCulloch**, Macomb, MI (US); **Ming-Chuan Wu**, Banciao (TW); **Cheng-Hsien Hsieh**, Jhonghe (TW)

(73) Assignee: **FKA Distributing Co.**, Commerce Township, MI (US)

(**) Term: **14 Years**

(21) Appl. No.: **29/236,286**

(22) Filed: **Aug. 15, 2005**

(51) **LOC (8) Cl.** **24-02**

(52) **U.S. Cl.** **D24/165**

(58) **Field of Classification Search** D24/165-169,
D24/186; 600/480, 485, 500, 502, 503, 490-496,
600/499; 128/900

See application file for complete search history.

(56) **References Cited**

U.S. PATENT DOCUMENTS

D277,133 S *	1/1985	Houlihan	D24/165
D344,338 S *	2/1994	Yoshikawa et al.	D24/165
D354,811 S *	1/1995	Tsushi	D24/165
D356,151 S *	3/1995	Ishii et al.	D24/165
D373,419 S *	9/1996	Muramatsu et al.	D24/165
D390,661 S *	2/1998	Foggia	D24/169

D413,673 S *	9/1999	Jacobs	D24/165
D428,993 S	8/2000	Lubs		
D475,136 S	5/2003	Taniguchi		
D496,103 S	9/2004	Hartwein		
D520,638 S *	5/2006	Zeindler	D24/166

* cited by examiner

Primary Examiner—Joel A. Sincavage

Assistant Examiner—Anhdao Doan

(74) *Attorney, Agent, or Firm*—Brooks Kushman P.C.

(57) **CLAIM**

The ornamental designs for a blood pressure monitor, as shown and described.

DESCRIPTION

FIG. 1 is a perspective view of a blood pressure monitor according to the present invention;

FIG. 2 is a left side elevation view thereof;

FIG. 3 is a right side elevation view thereof;

FIG. 4 is a front elevation view thereof;

FIG. 5 is a rear elevation view thereof;

FIG. 6 is a top plan view thereof; and,

FIG. 7 is a bottom plan view thereof.

The broken lines shown in the drawings illustrate portions of the blood pressure monitor that form no part of the claimed design.

1 Claim, 3 Drawing Sheets

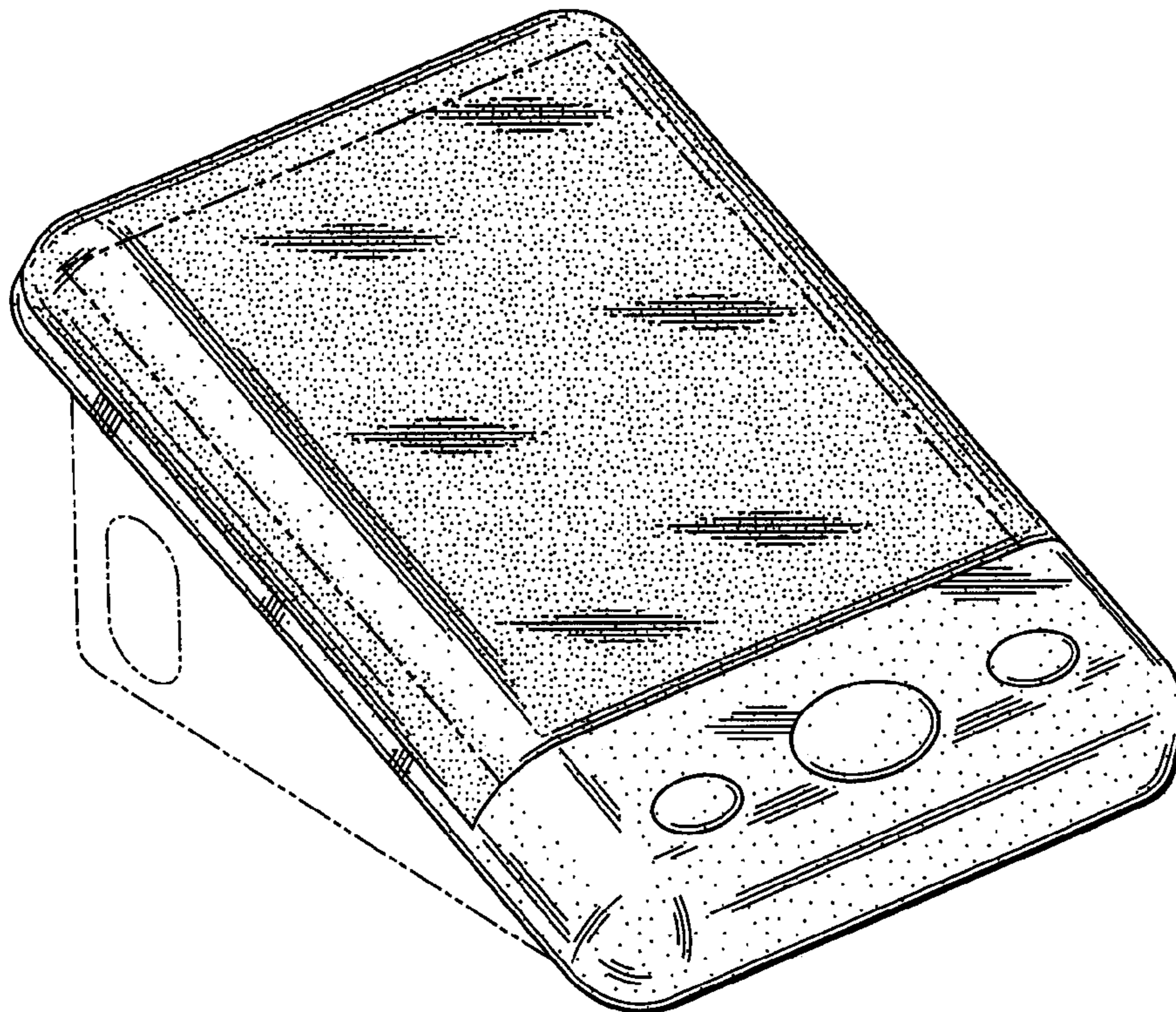


Fig. 1

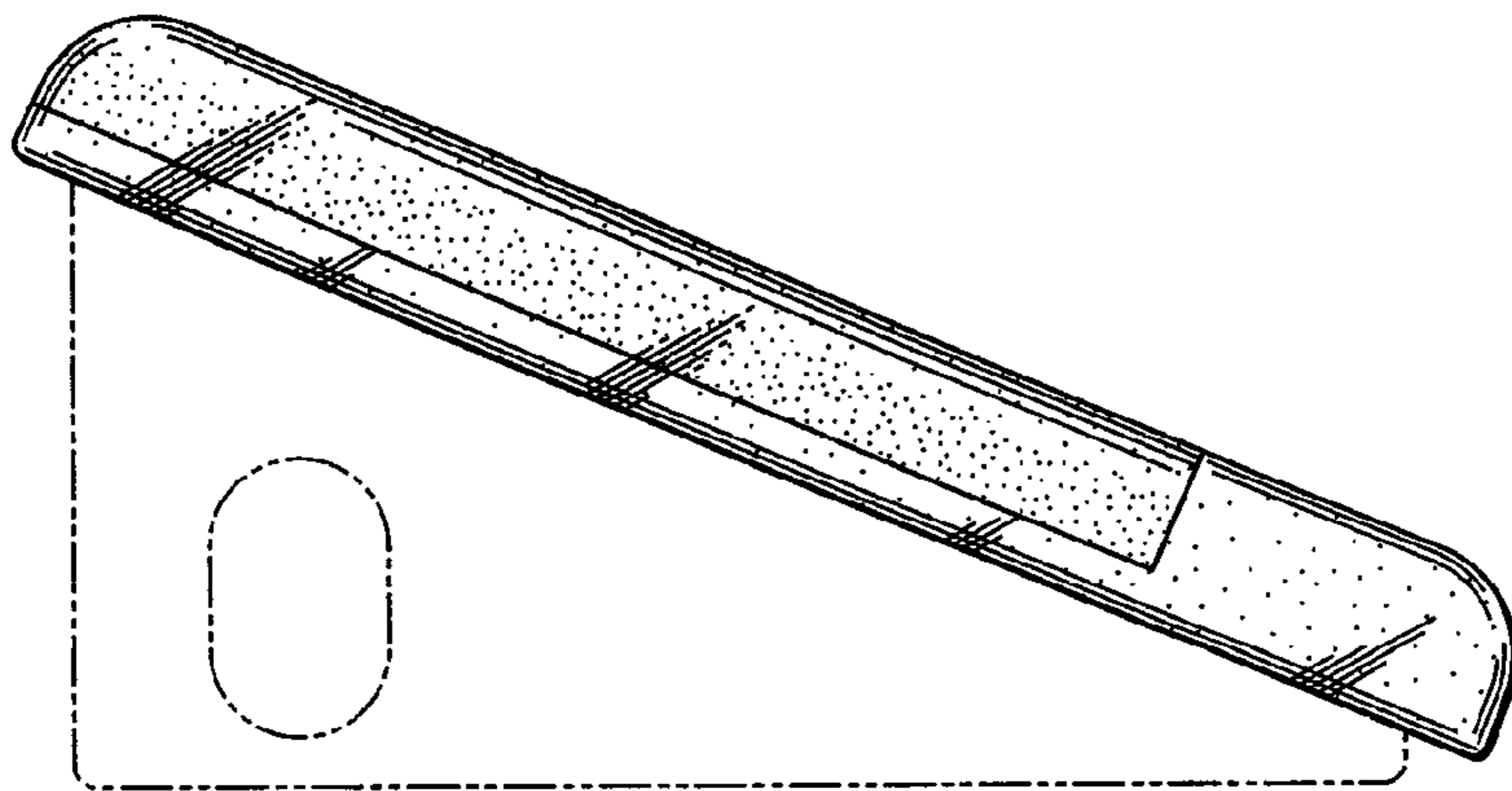
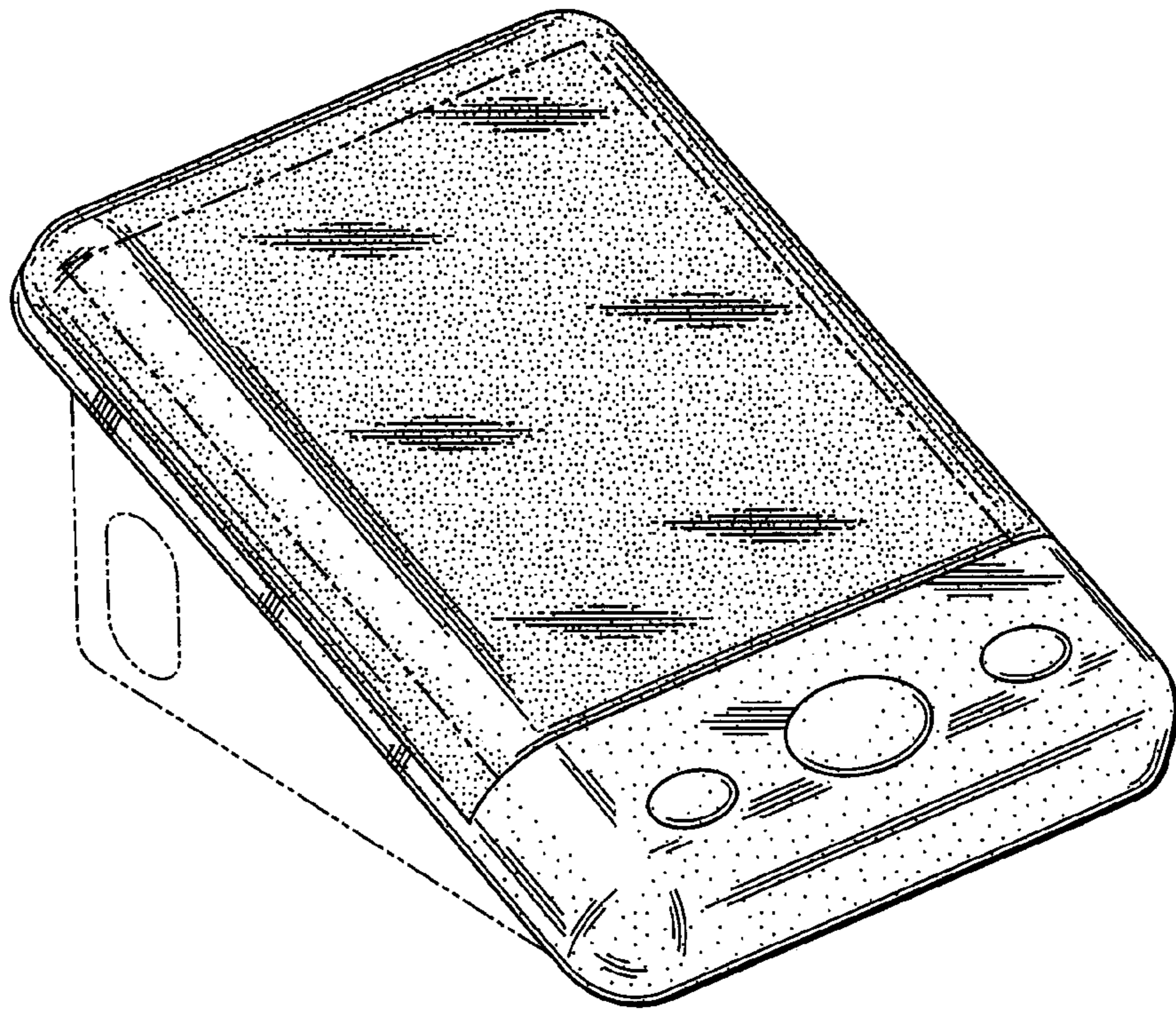
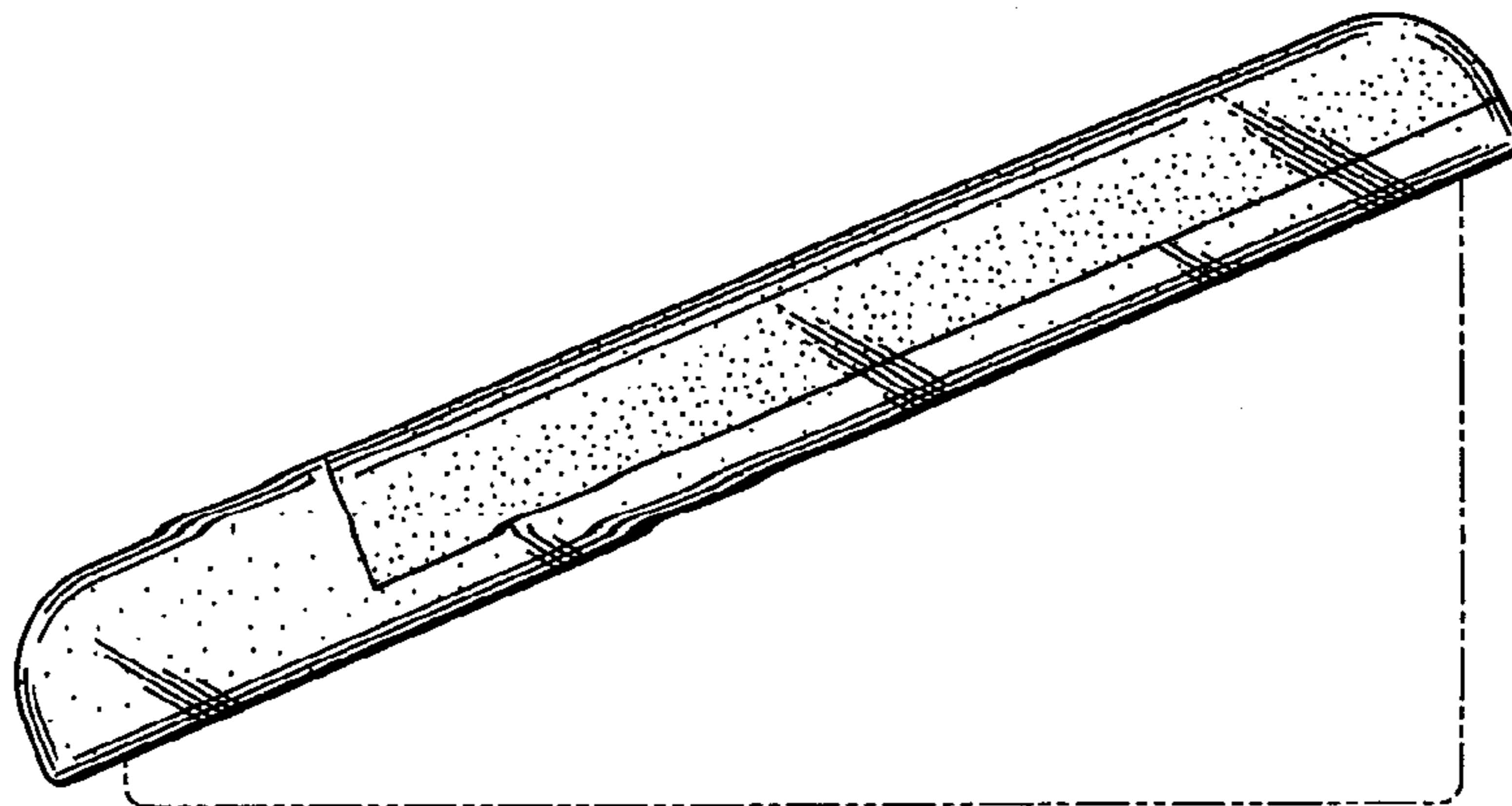


Fig. 2

Fig. 3



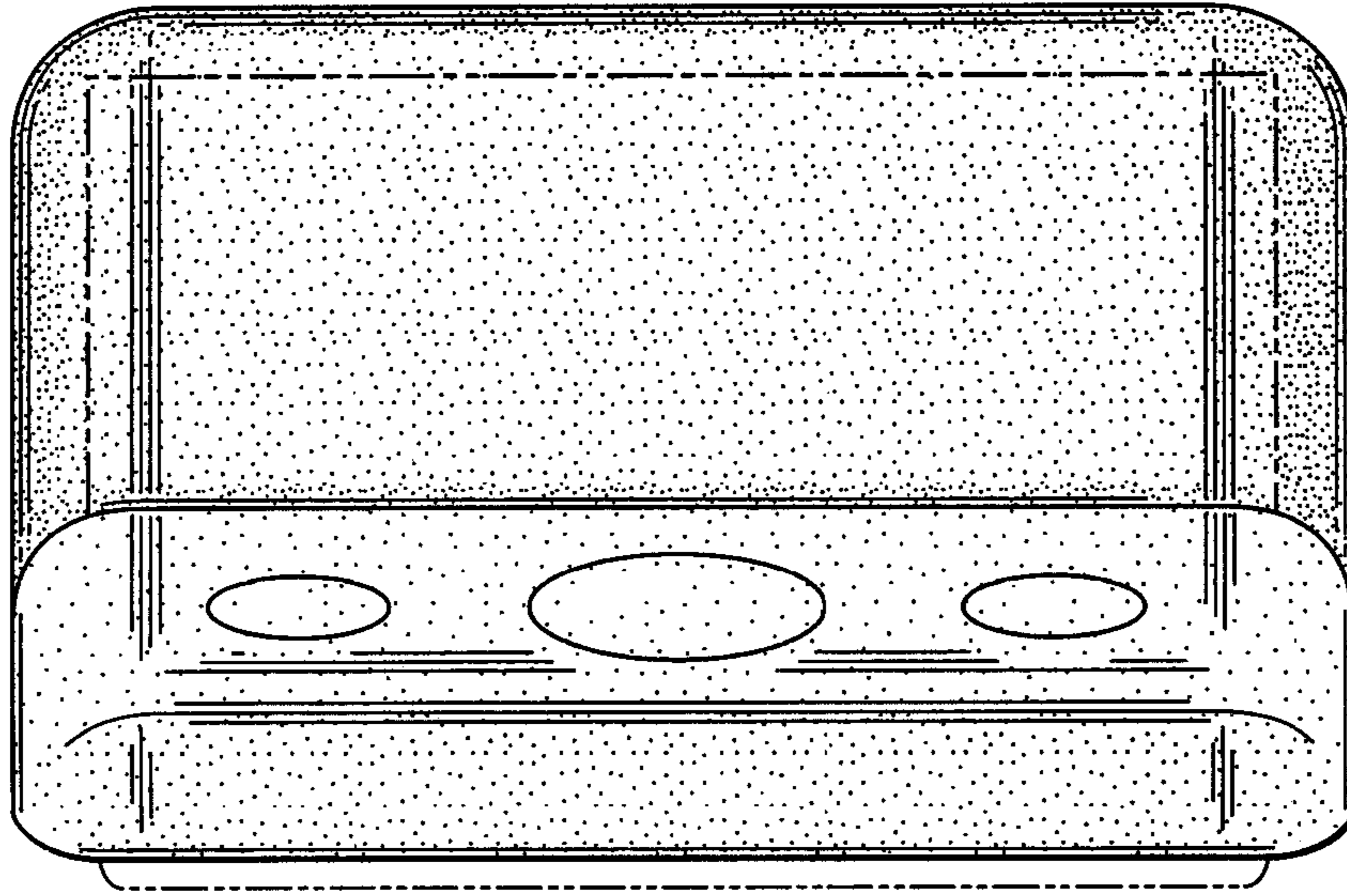


Fig. 4

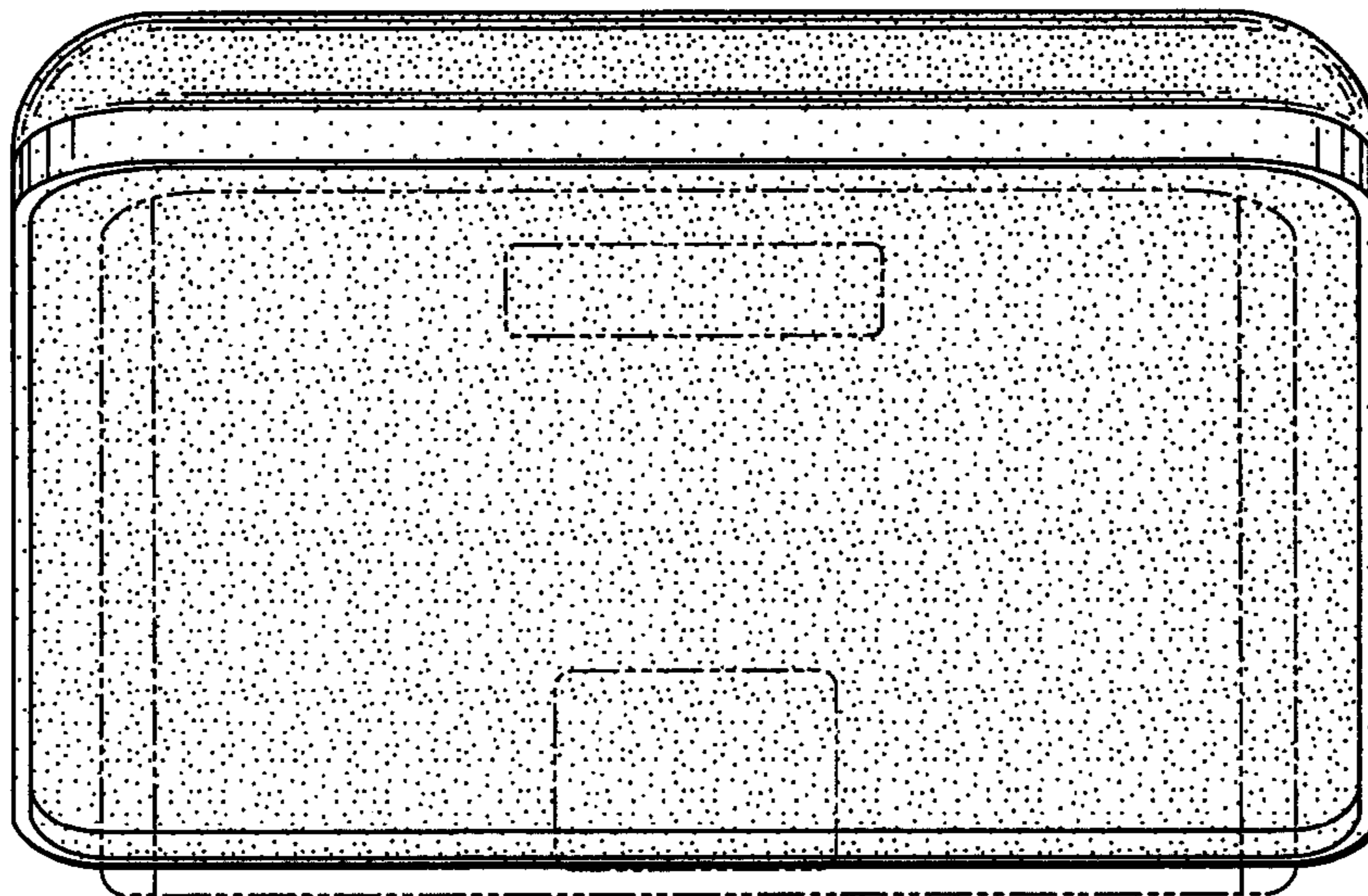


Fig. 5

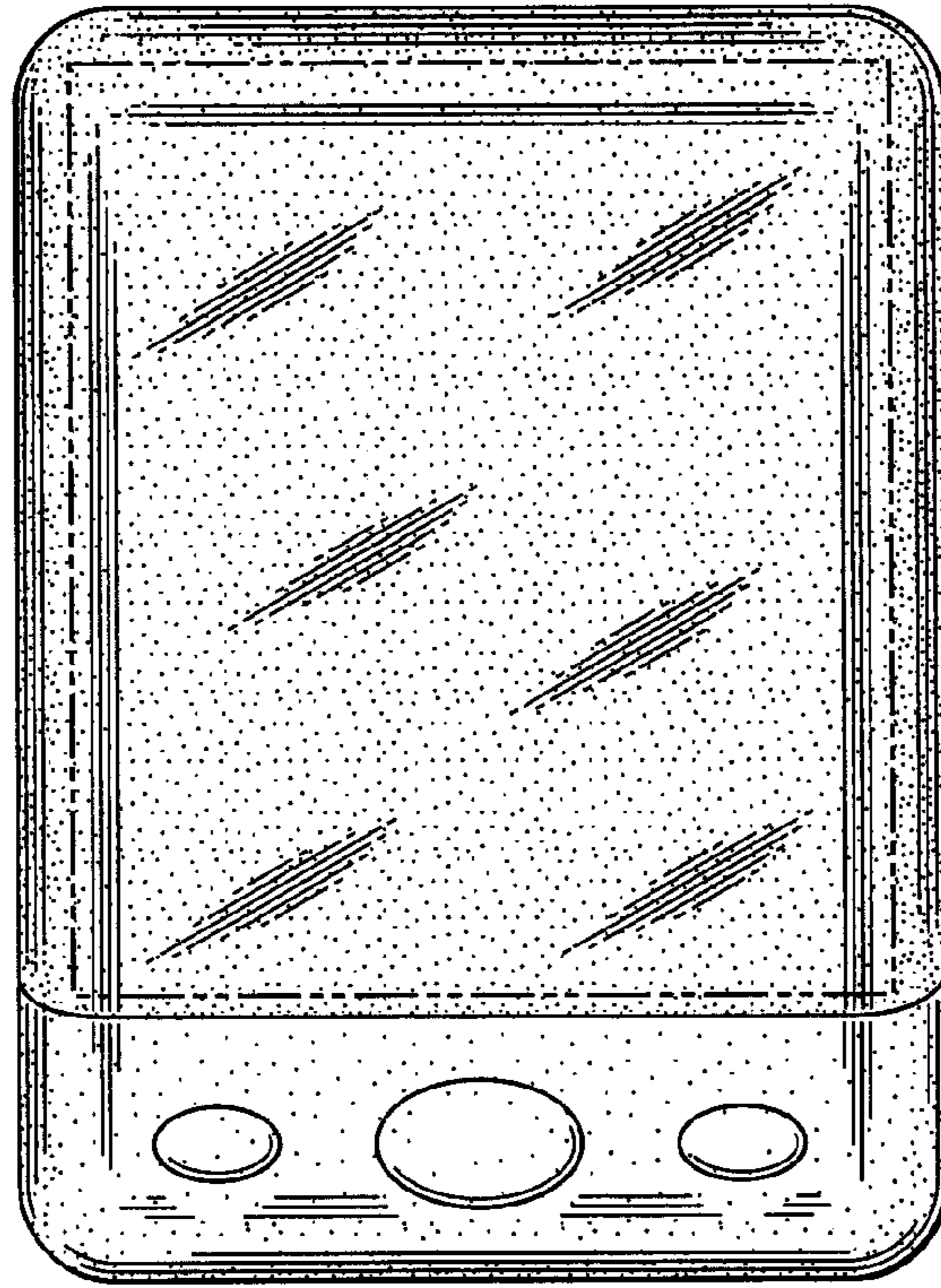


Fig. 6

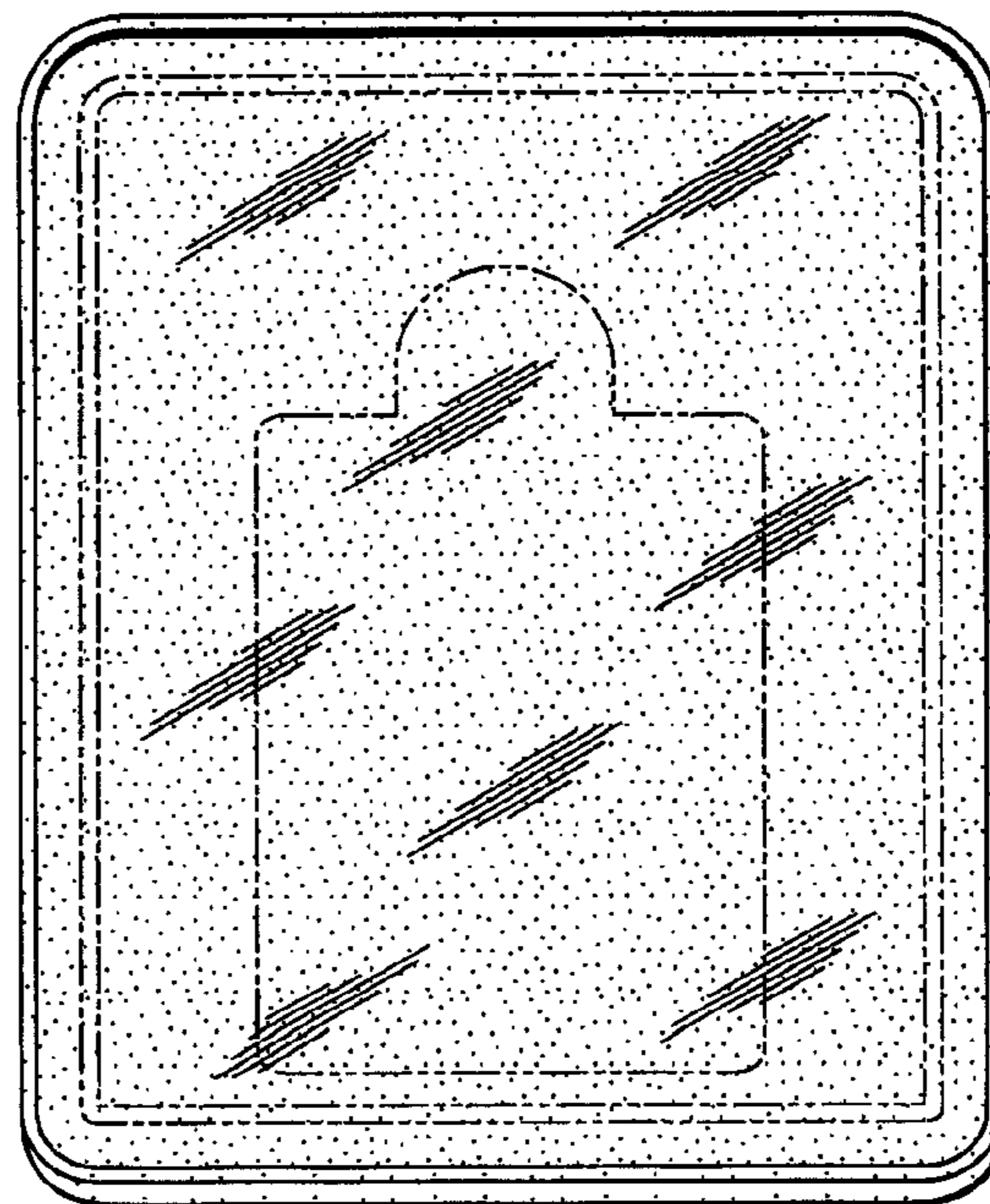


Fig. 7