



US00D562456S

(12) **United States Design Patent**
Scruggs et al.

(10) **Patent No.:** **US D562,456 S**

(45) **Date of Patent:** **** Feb. 19, 2008**

(54) **ULTRASOUND CASE**

(75) Inventors: **Rodney L. Scruggs**, Salt Lake City, UT (US); **Bruce M. Wilcox**, Bountiful, UT (US); **Shayne Messerly**, Kaysville, UT (US)

(73) Assignee: **C. R. Bard, Inc.**, Murray Hill, NJ (US)

(**) Term: **14 Years**

(21) Appl. No.: **29/239,105**

(22) Filed: **Sep. 26, 2005**

(51) **LOC (8) Cl.** **24-01**

(52) **U.S. Cl.** **D24/160**

(58) **Field of Classification Search** D24/158-161, D24/133, 138, 196, 197; 600/443, 446, 459, 600/437; 128/916; D14/328; D3/203.1, D3/203.7

See application file for complete search history.

(56) **References Cited**

U.S. PATENT DOCUMENTS

D257,285 S *	10/1980	Rawson et al.	D24/186
D395,513 S *	6/1998	Rogler	D24/186
D426,204 S *	6/2000	Maio et al.	D14/356
D454,954 S *	3/2002	Cannon et al.	D24/160
D461,895 S *	8/2002	Barnes et al.	D24/158
D469,182 S *	1/2003	Choi et al.	D24/158
D469,877 S *	2/2003	Felix et al.	D24/187
6,540,685 B1 *	4/2003	Rhoads et al.	600/459

D505,726 S *	5/2005	Ryan	D24/200
D509,900 S *	9/2005	Barnes et al.	D24/160
D512,151 S *	11/2005	Ward et al.	D24/186
2002/0143256 A1 *	10/2002	Wing et al.	600/459

* cited by examiner

Primary Examiner—Louis S. Zarfes

Assistant Examiner—Anhdao Doan

(74) *Attorney, Agent, or Firm*—Kevin B. Laurence; Stoel Rives LLP

(57) **CLAIM**

The ornamental design for an ultrasound case, as shown and described.

DESCRIPTION

FIG. 1 is a perspective view of an ultrasound case according to the present invention;

FIG. 2 is a rear perspective view thereof;

FIG. 3 is a front elevation view thereof;

FIG. 4 is a rear elevation view, rotated 180°, thereof;

FIG. 5 is a right side elevation view, rotated 90°, thereof;

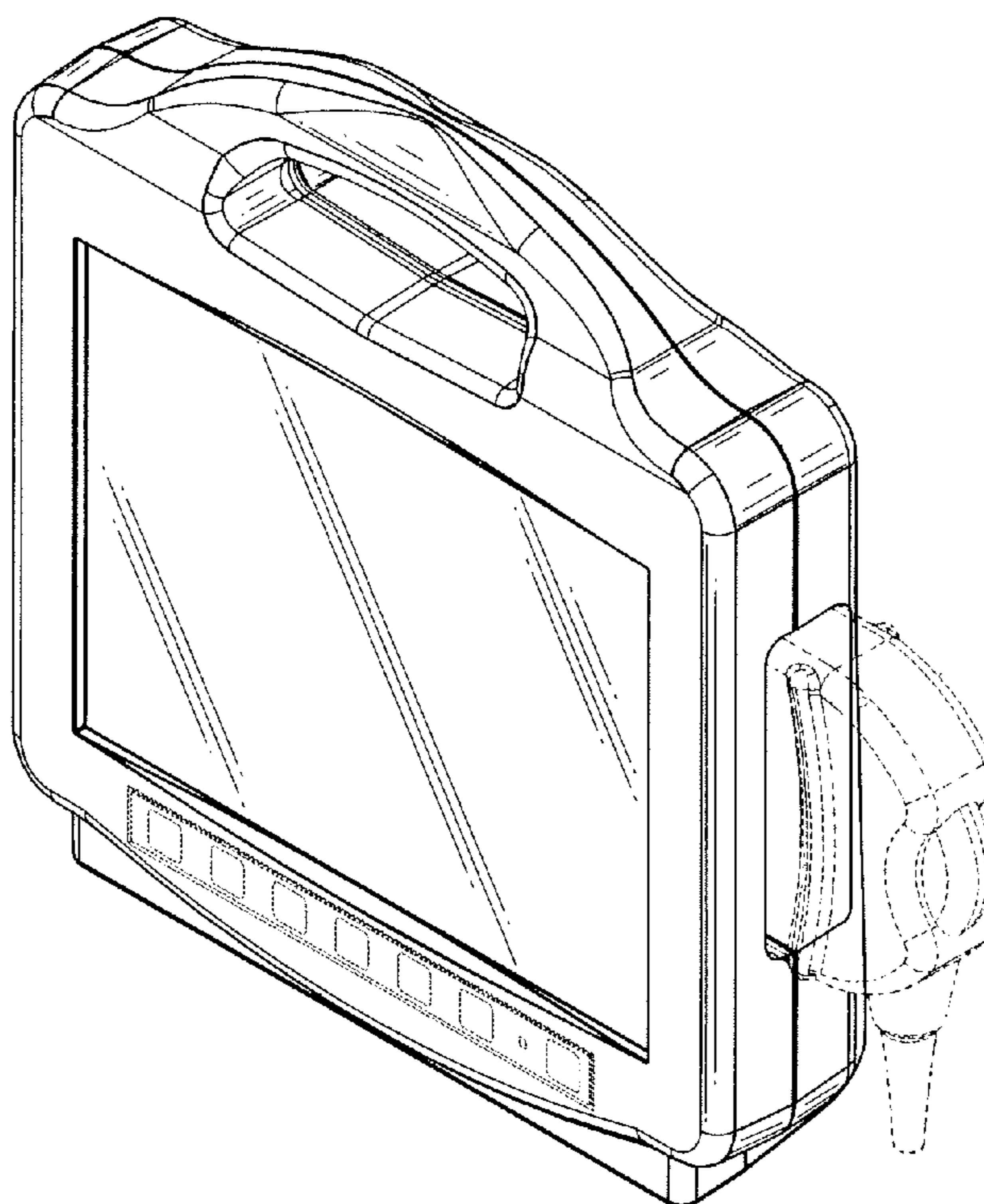
FIG. 6 is a top view thereof;

FIG. 7 is a bottom view thereof; and,

FIG. 8 is a left side elevation view, rotated 90°, thereof.

The broken lines in the drawing are for illustrative purposes only and form no part of the claimed design.

1 Claim, 3 Drawing Sheets



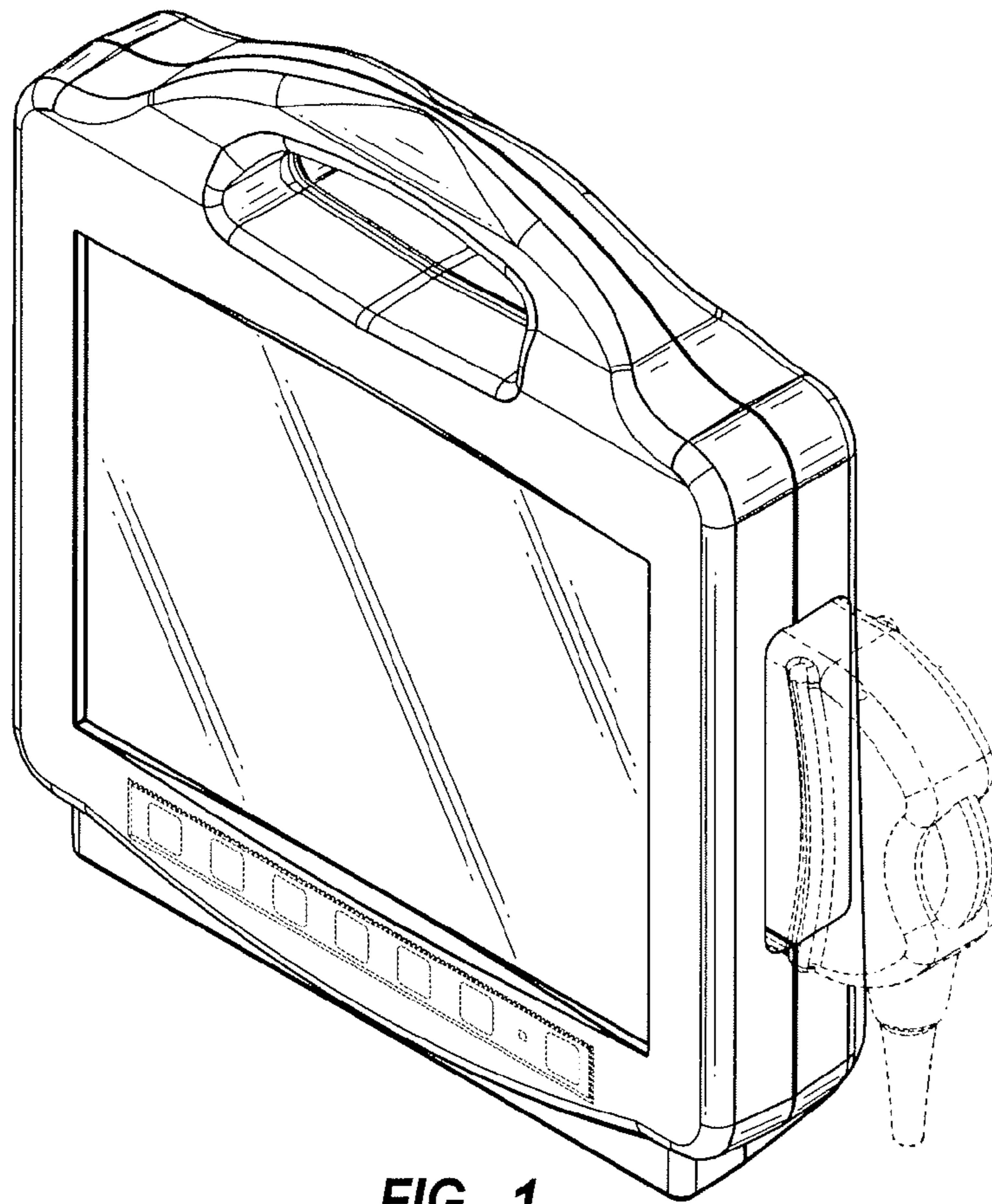


FIG. 1

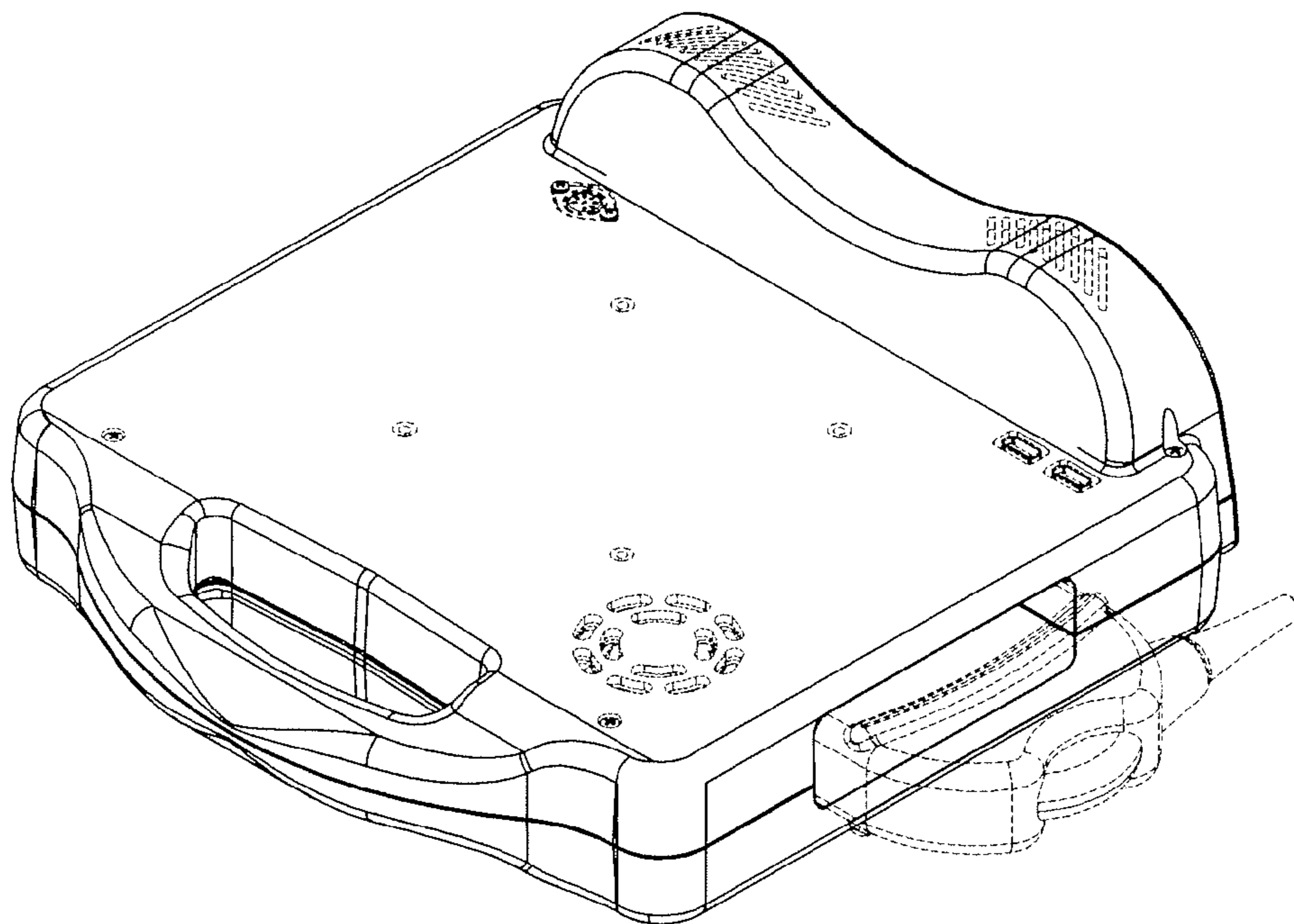


FIG. 2

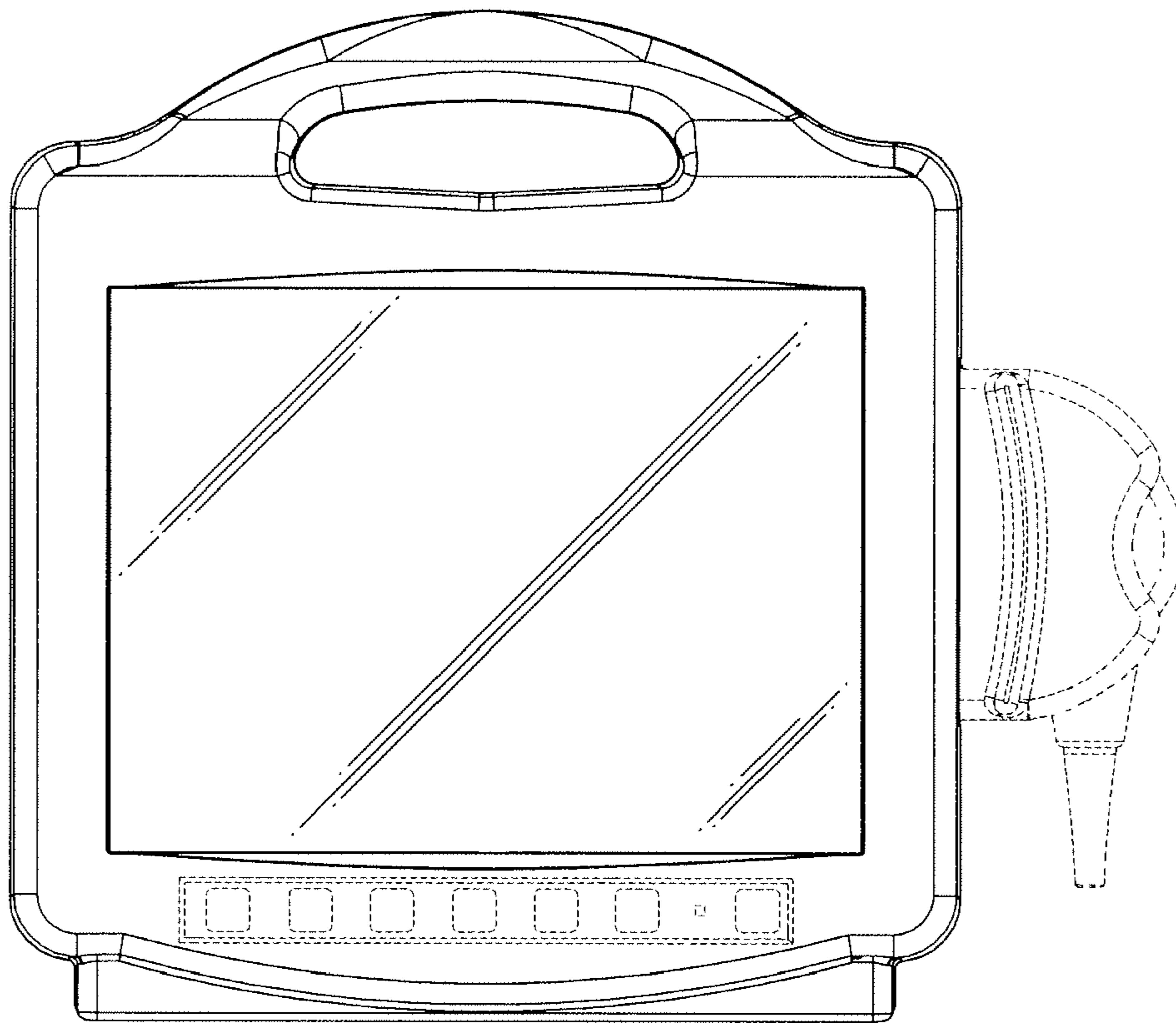


FIG. 3

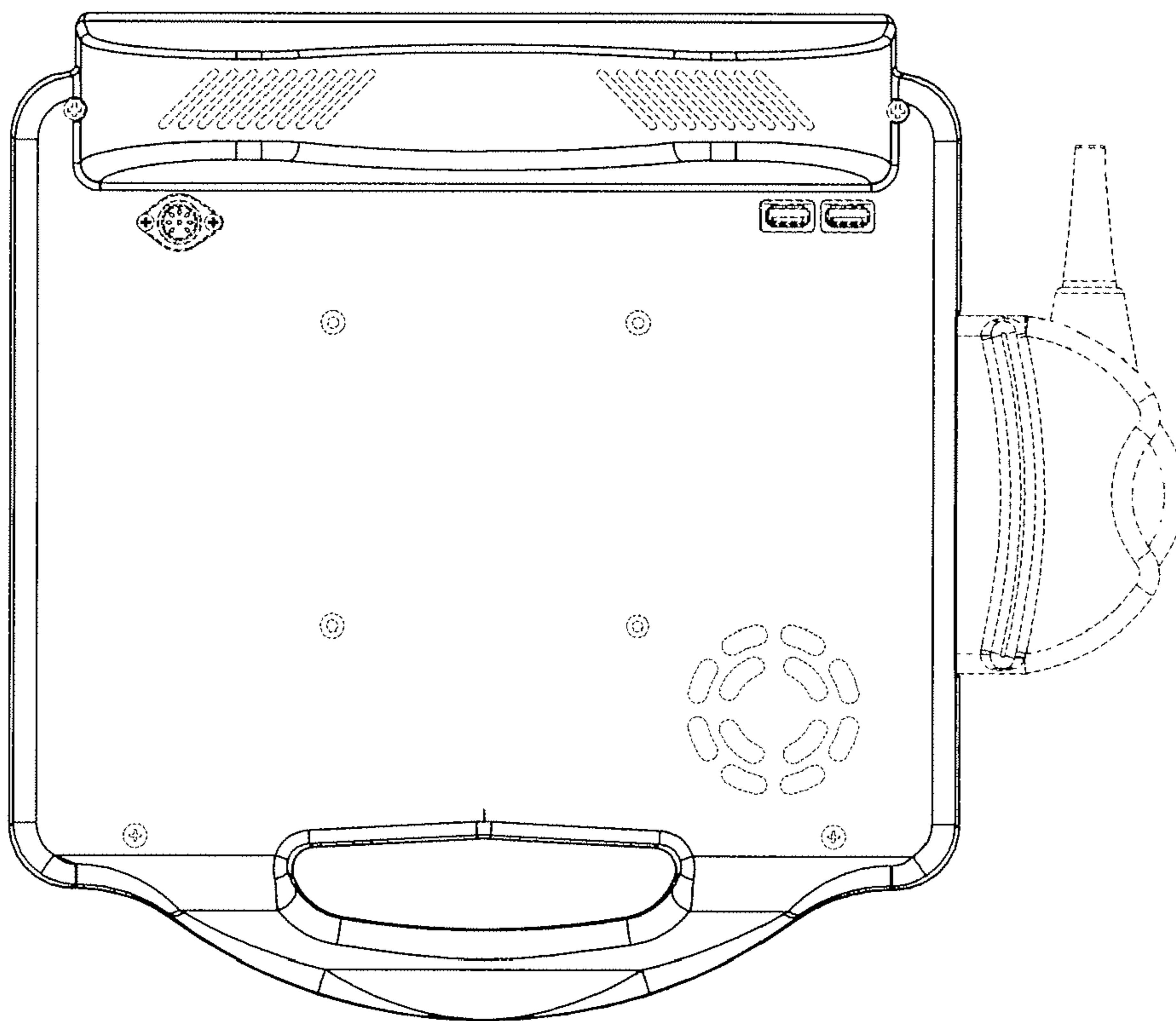


FIG. 4

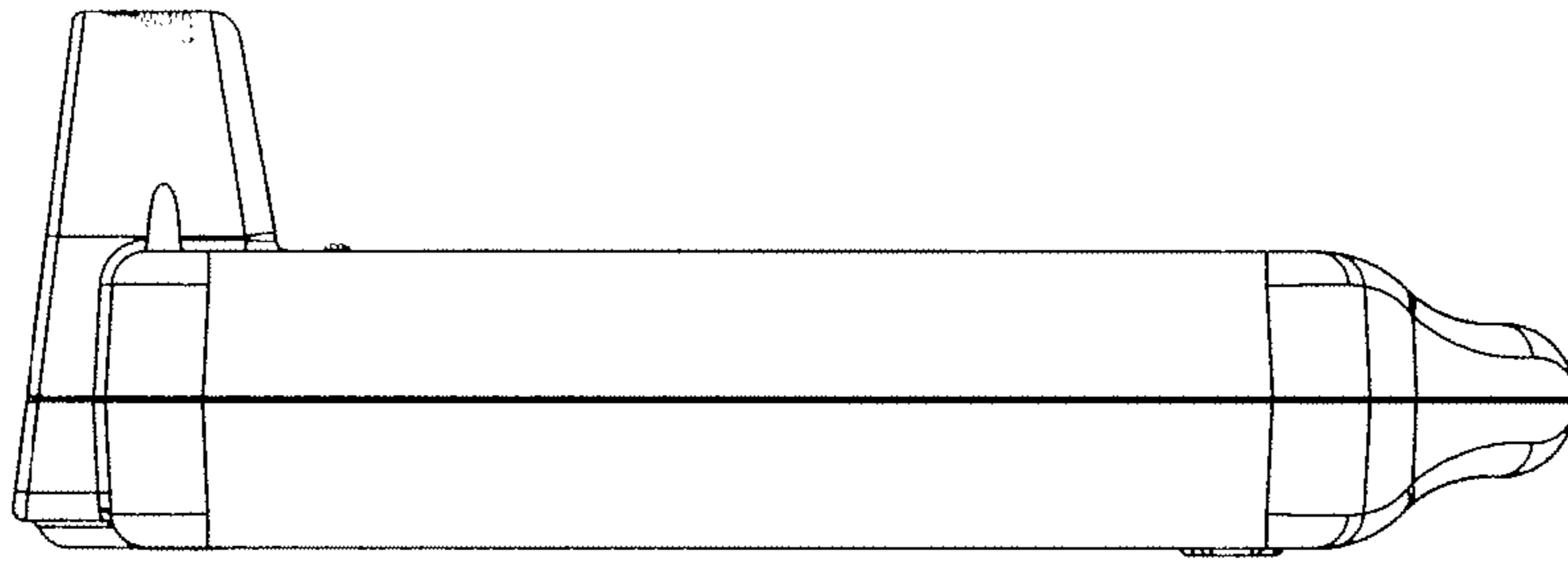


FIG. 5

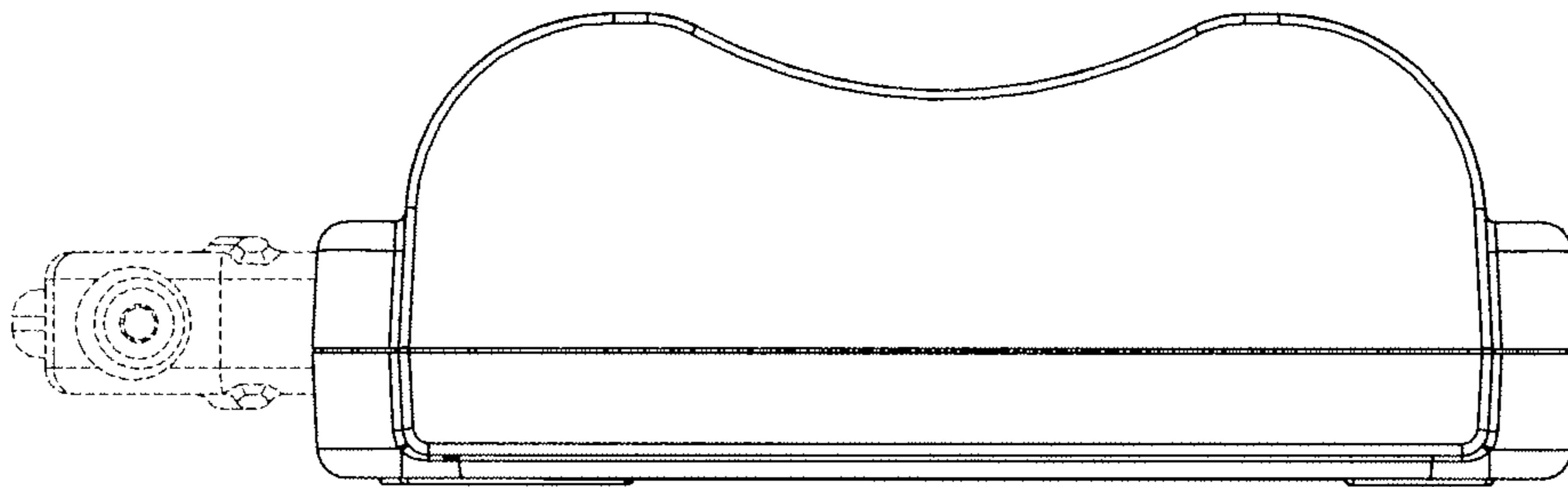


FIG. 6

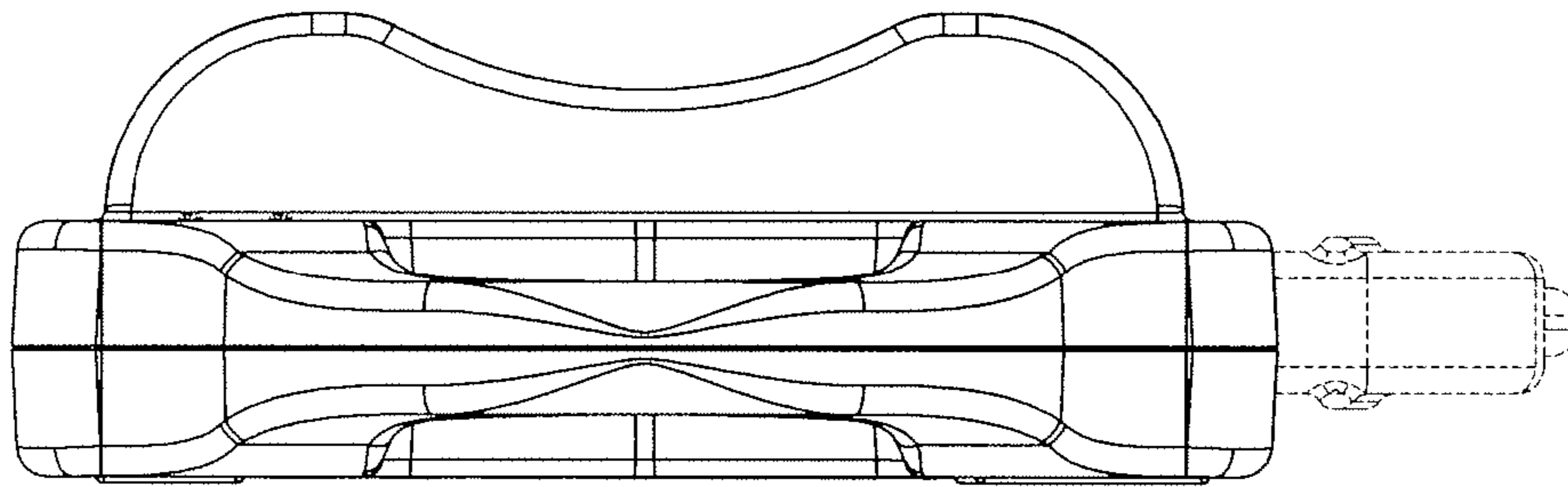


FIG. 7

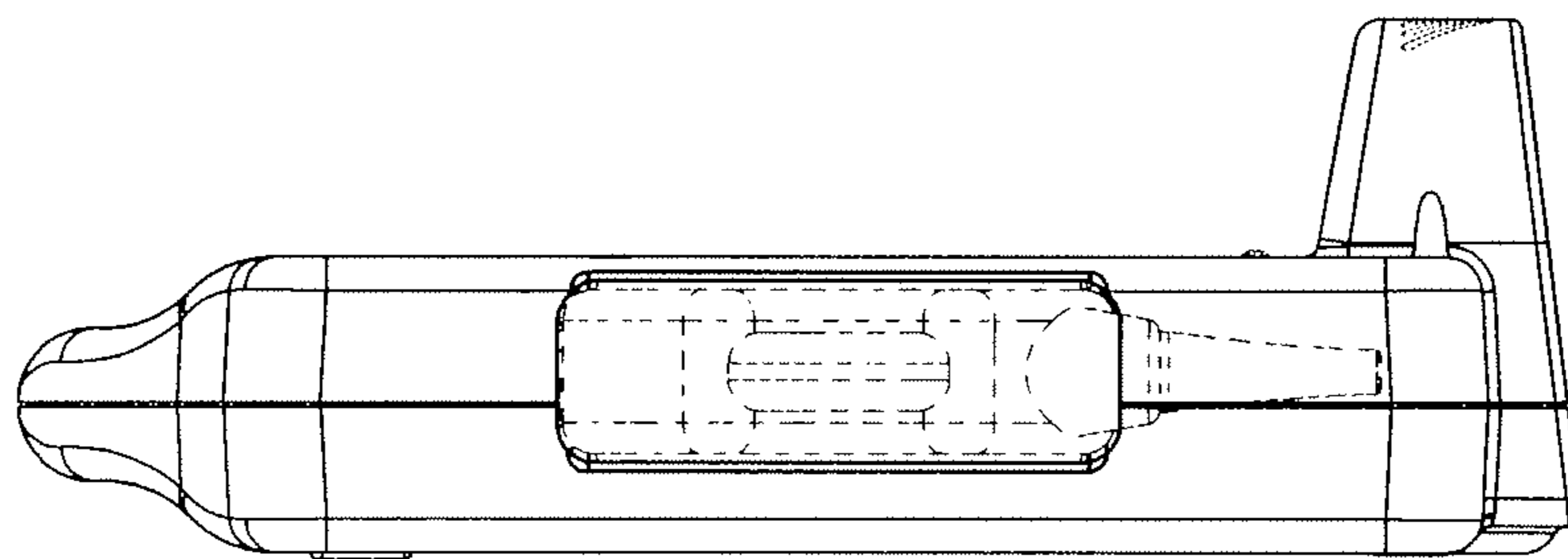


FIG. 8