



US00D562454S

(12) **United States Design Patent**
Rassoli

(10) **Patent No.:** **US D562,454 S**

(45) **Date of Patent:** **** Feb. 19, 2008**

(54) **PROSTHETIC DENTAL IMPLANT**

(76) Inventor: **Jeff Rassoli**, 2737 E. Regal Park Ave.,
Anaheim, CA (US) 92806

(**) Term: **14 Years**

(21) Appl. No.: **29/254,387**

(22) Filed: **Feb. 21, 2006**

(51) **LOC (8) Cl.** **24-03**

(52) **U.S. Cl.** **D24/156**

(58) **Field of Classification Search** D24/155-157,
D24/133, 107; 623/1.13-1.23, 17.11; 604/1.02,
604/103.02; 433/141.3, 121, 174; 81/119;
D8/388, 394, 387, 312

See application file for complete search history.

(56) **References Cited**

U.S. PATENT DOCUMENTS

847,591	A *	3/1907	Miller	433/121
D201,388	S *	6/1965	Pick	D8/397
3,458,031	A *	7/1969	Hoffman	433/3
D243,580	S *	3/1977	DeCaro	D8/388
5,195,892	A	3/1993	Gersberg		
5,334,024	A	8/1994	Niznick		
5,433,606	A	7/1995	Niznick		
5,829,977	A	11/1998	Rogers		
5,984,680	A	11/1999	Rogers		
D443,361	S	6/2001	Hurson		
D446,859	S	8/2001	Hurson		
2005/0136380	A1	6/2005	Niznick		

OTHER PUBLICATIONS

Diamo Dent Catalog, pp. 12-13, L100B.

* cited by examiner

Primary Examiner—Charles A. Rademaker

(74) *Attorney, Agent, or Firm*—Cislo & Thomas, LLP

(57) **CLAIM**

I claim the ornamental design for a prosthetic dental implant,
as shown and described.

DESCRIPTION

FIG. 1 is a perspective view of a prosthetic dental implant
showing my new design;

FIG. 2 is a top plan view thereof;

FIG. 3 is a left side elevation thereof, side opposite and the
front and rear aspects being identical;

FIG. 4 is a bottom plan view thereof;

FIG. 5 is a cross-sectional view thereof taken along line
5—5 in FIG. 2;

FIG. 6 is a perspective view of a modified embodiment of
the design shown in FIGS. 1 through 5;

FIG. 7 is a top plan view thereof;

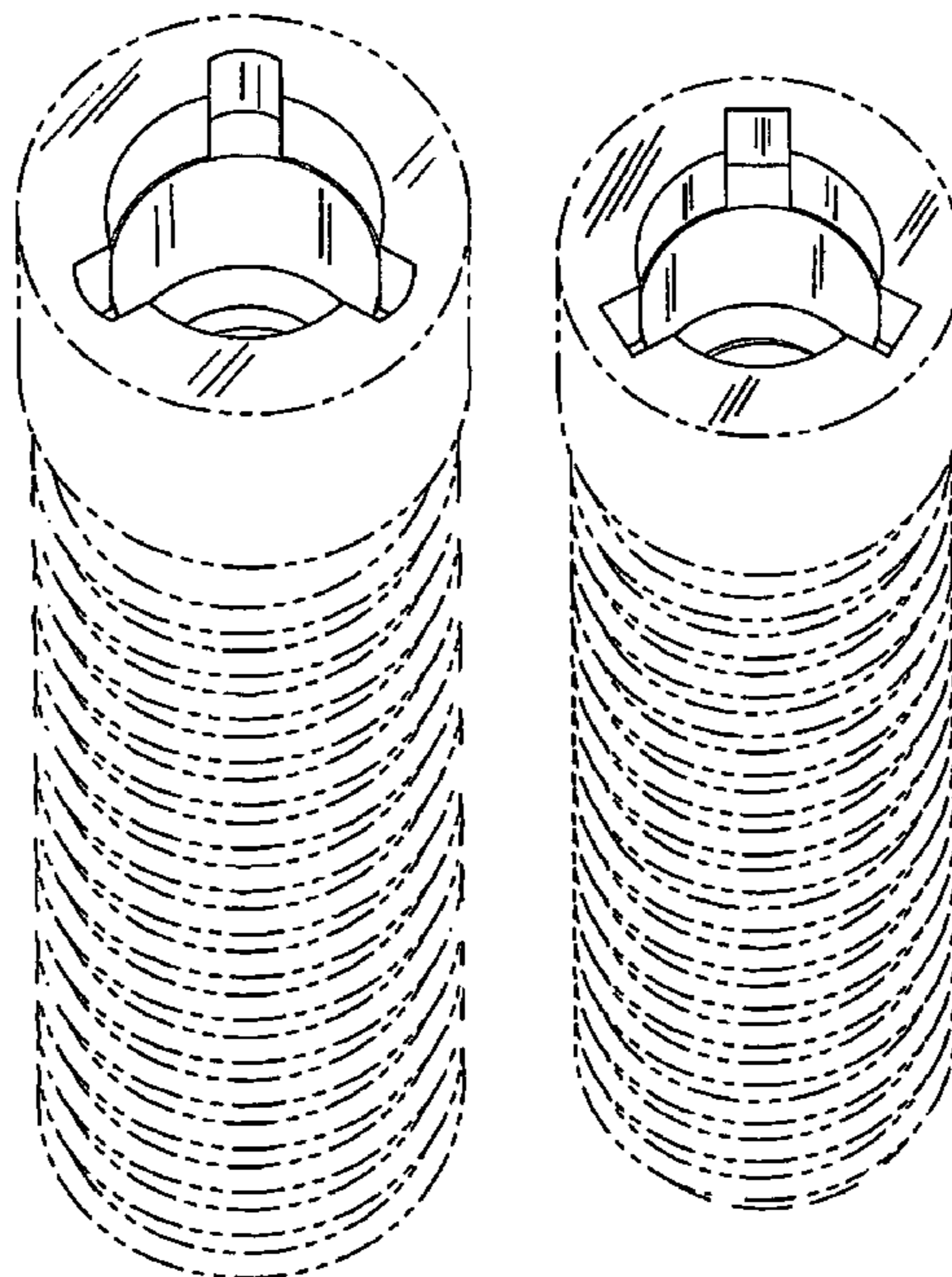
FIG. 8 is a left side elevation thereof, the side opposite and
the front and rear aspects being identical;

FIG. 9 is a bottom plan thereof; and,

FIG. 10 is a cross-sectional view thereof taken along line
10—10 in FIG. 7.

The broken line showing of portions of the design is
included for the purpose of illustrating environmental struc-
ture and forms no part of the claimed design.

1 Claim, 4 Drawing Sheets



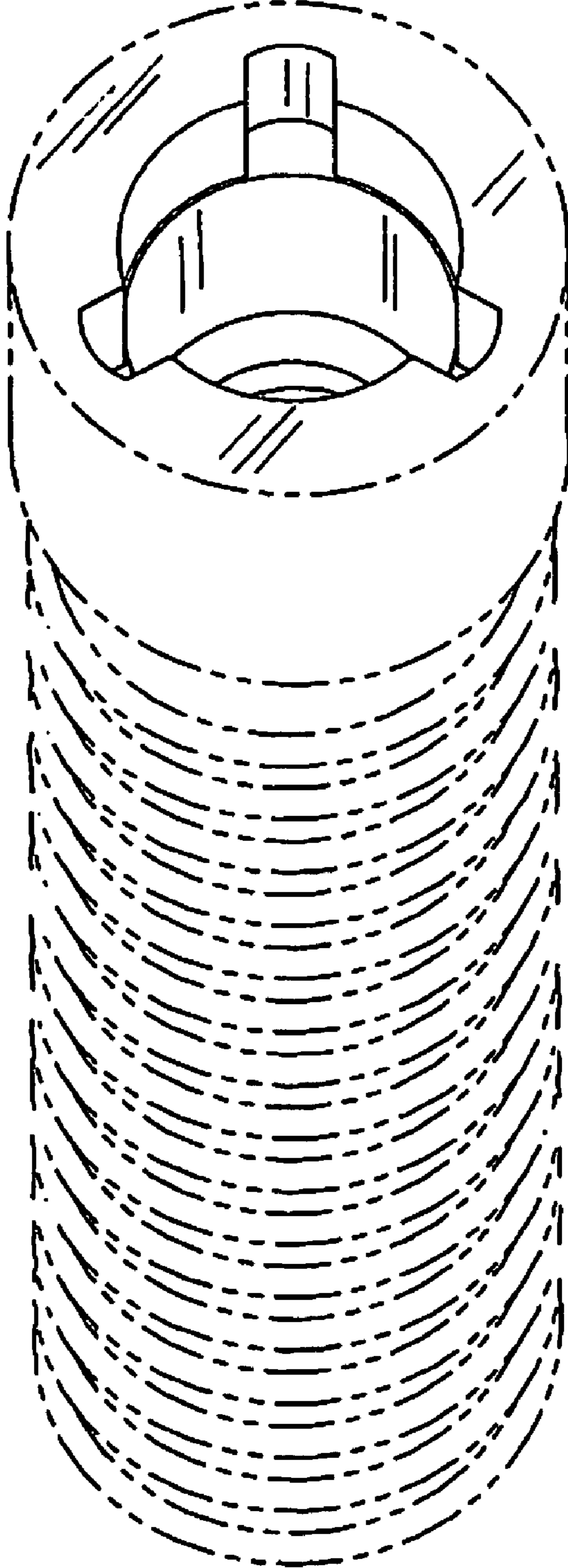


FIG. 1

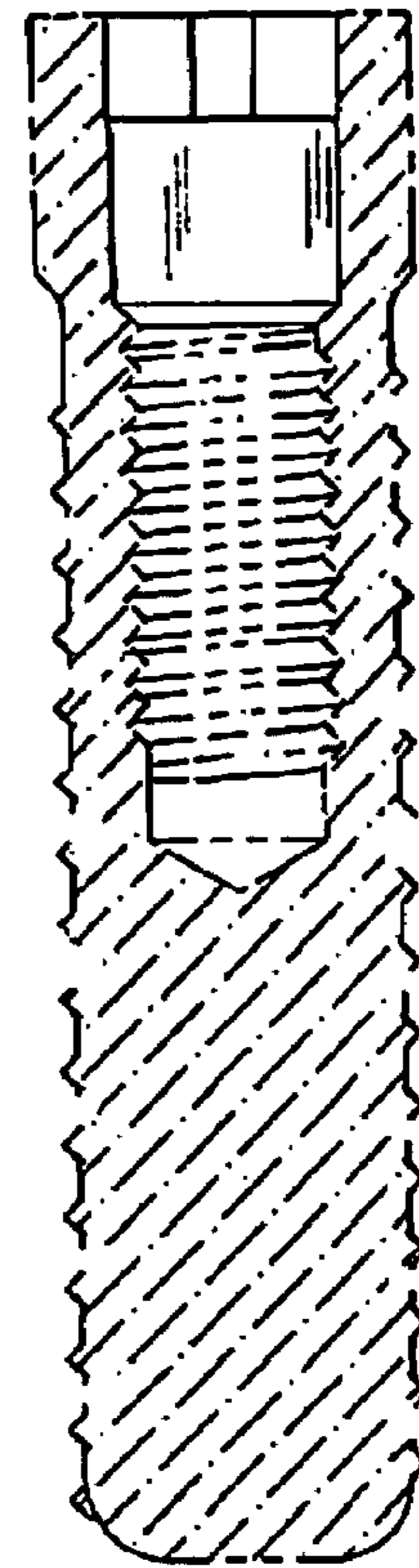
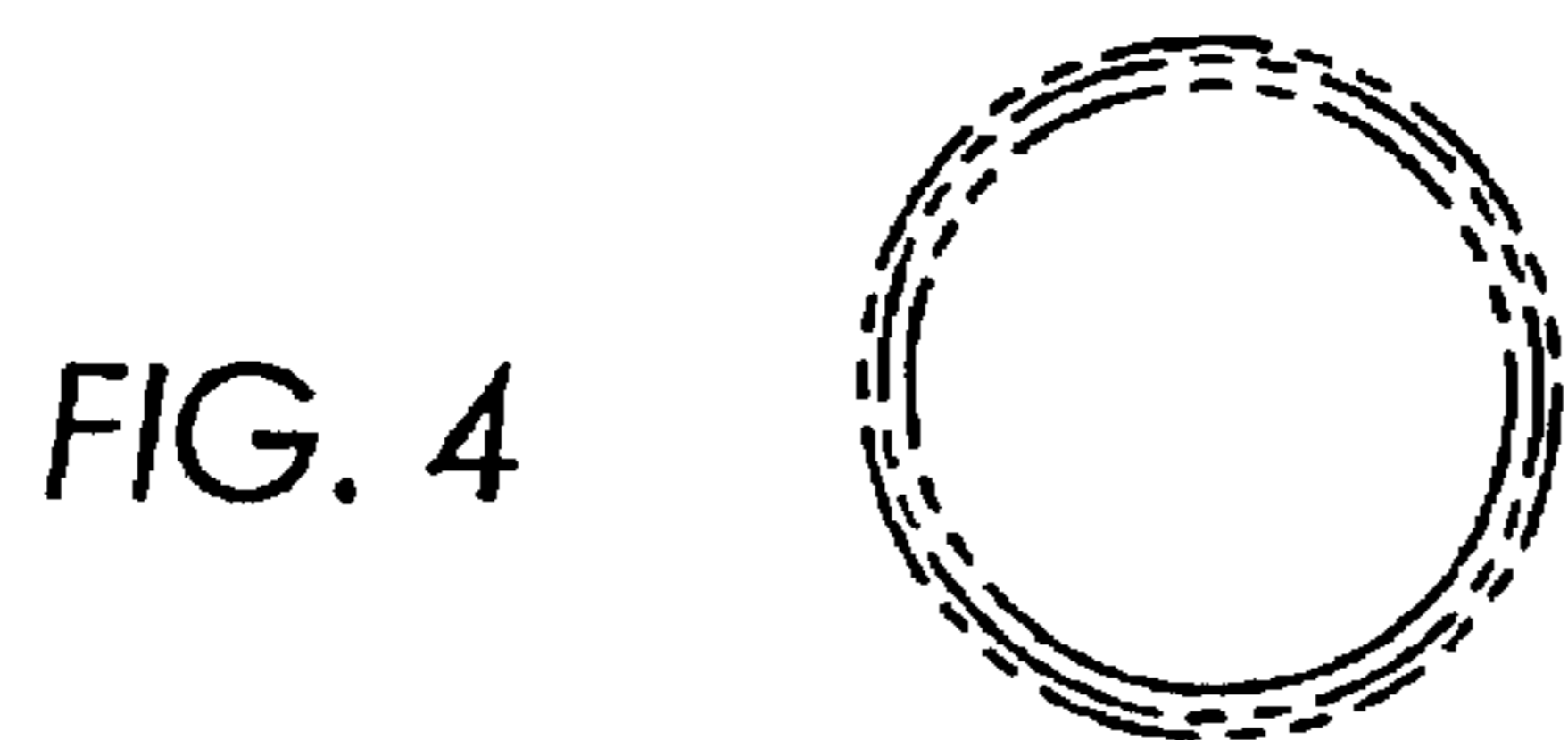
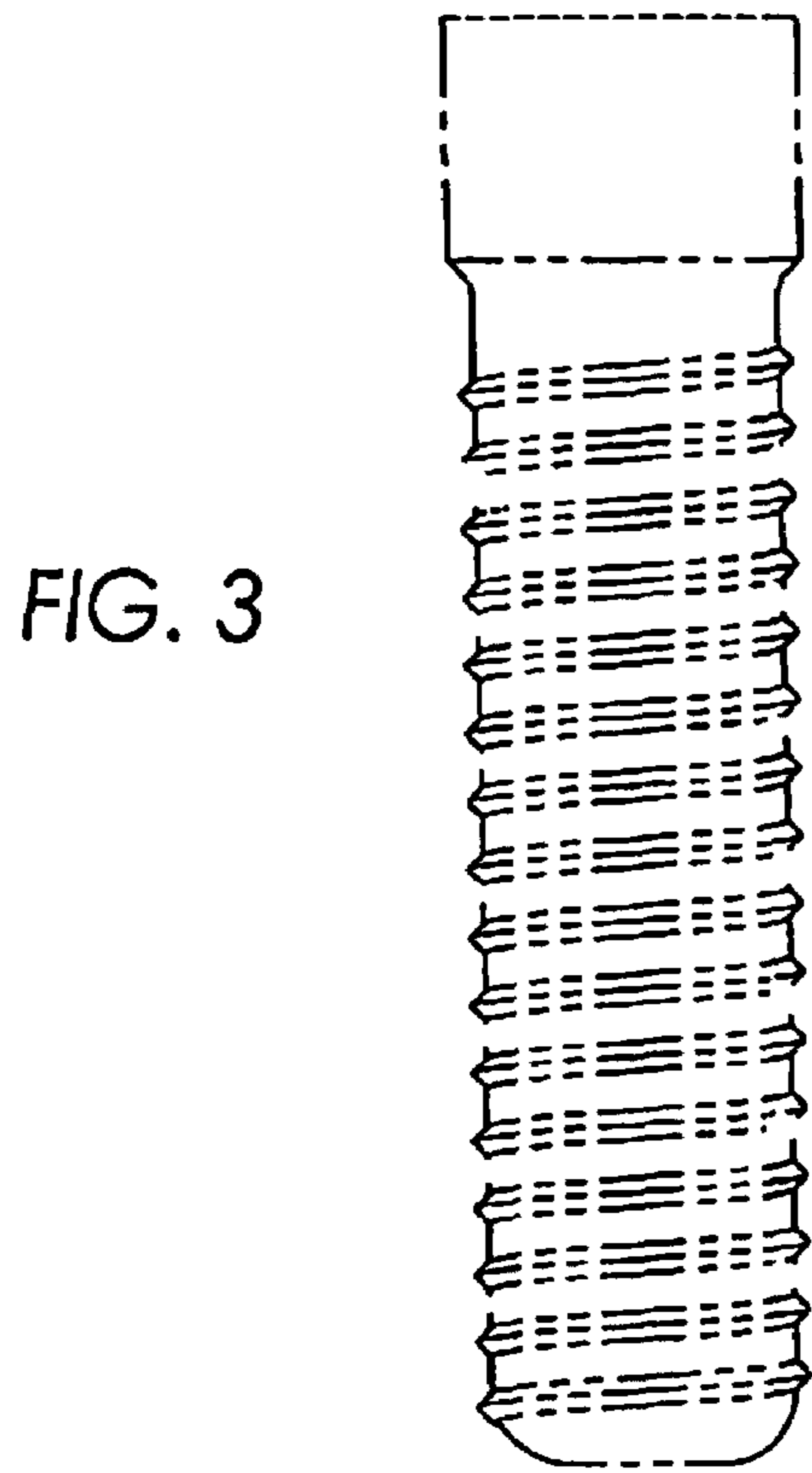
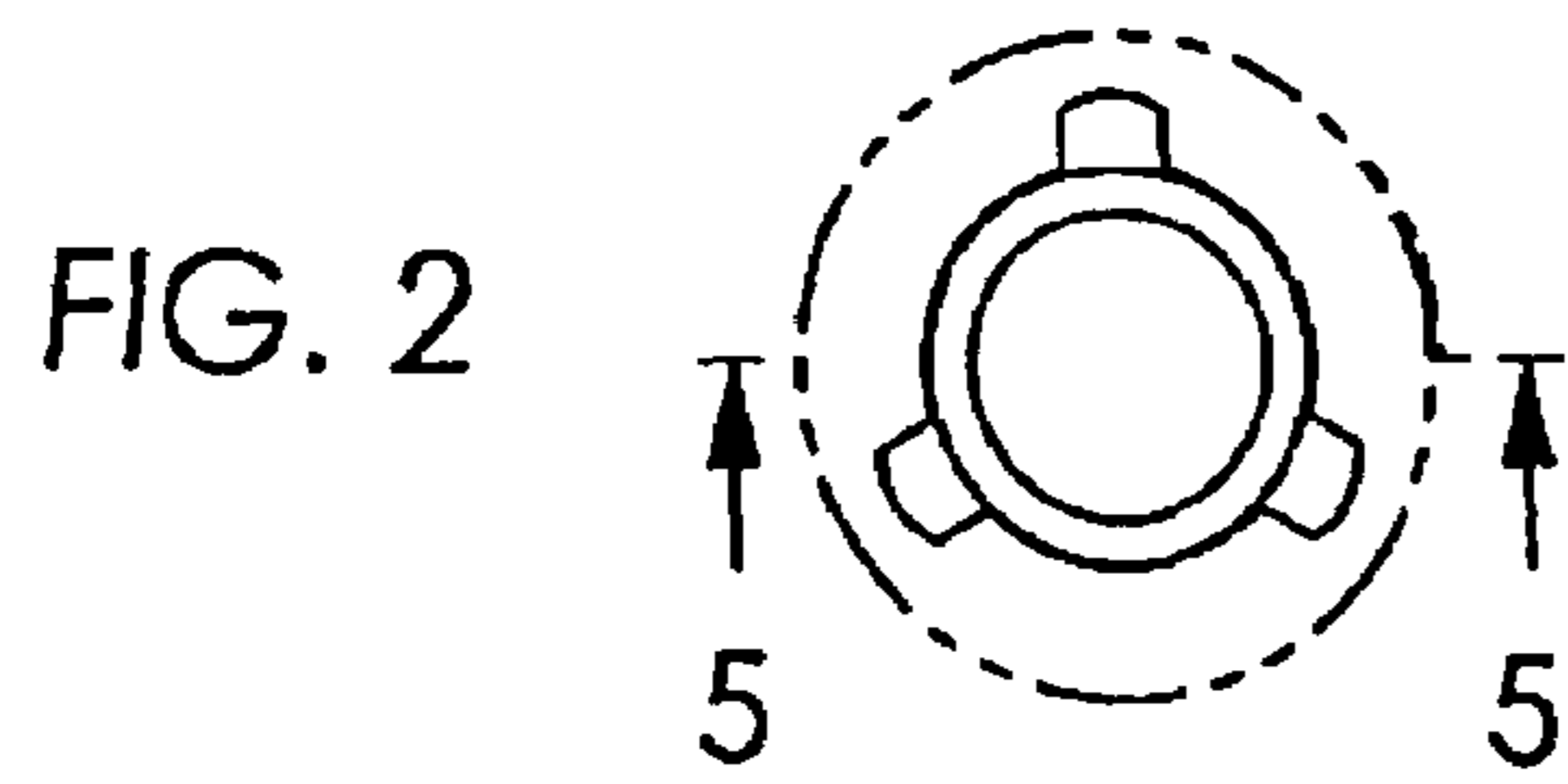


FIG. 5

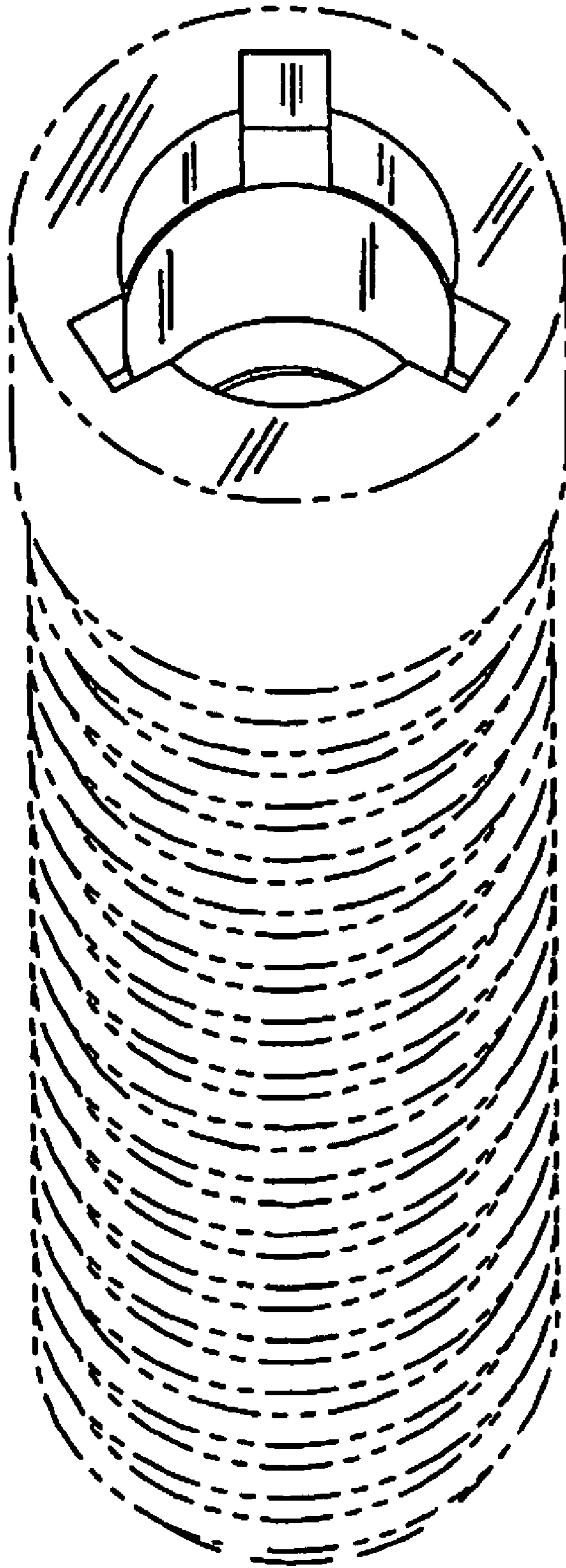


FIG. 6

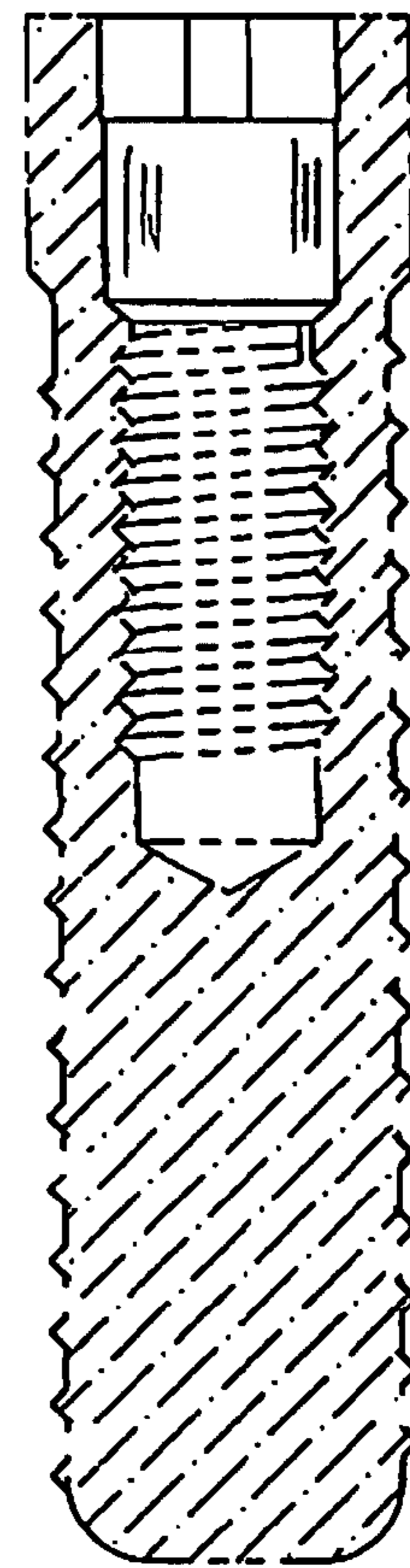
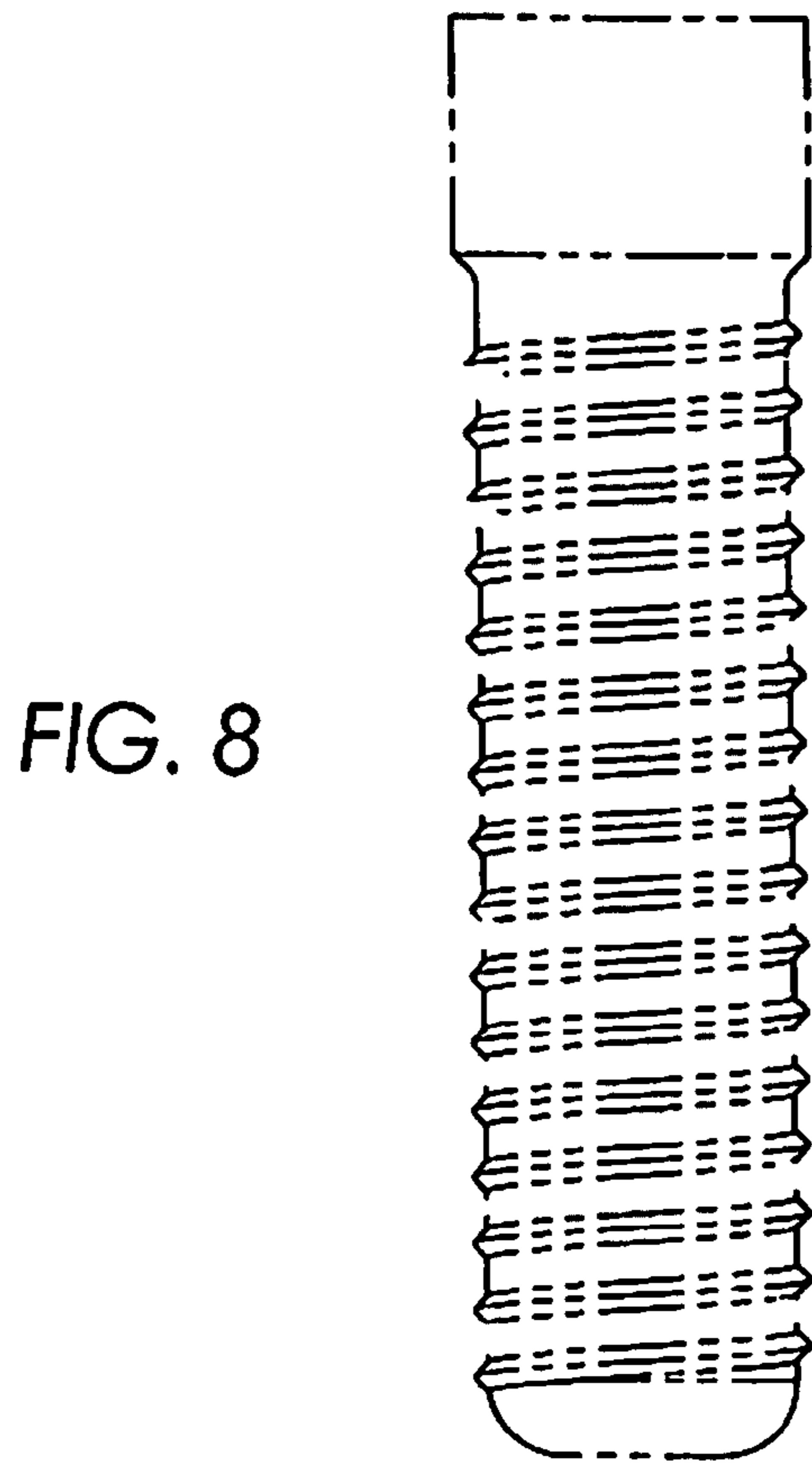
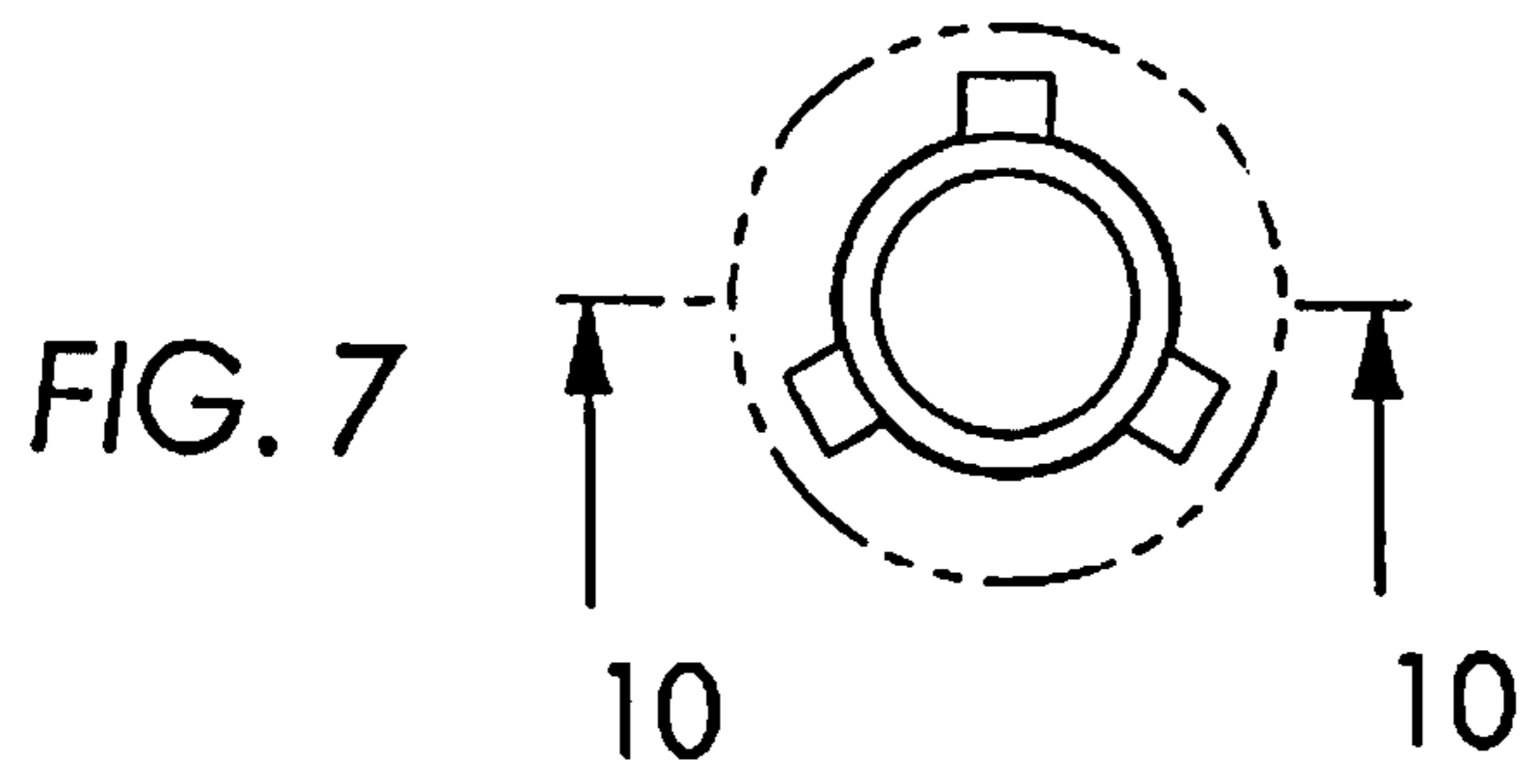


FIG. 10

