



US00D562453S

(12) **United States Design Patent**
Rassoli

(10) **Patent No.:** **US D562,453 S**

(45) **Date of Patent:** **** Feb. 19, 2008**

(54) **PROSTHETIC DENTAL ABUTMENT**

(57) **CLAIM**

(76) Inventor: **Jeff Rassoli**, 2737 E. Regal Park Ave.,
Anaheim, CA (US) 92806

I claim the ornamental design for a prosthetic dental abutment, as shown and described.

(**) Term: **14 Years**

DESCRIPTION

(21) Appl. No.: **29/254,132**

(22) Filed: **Feb. 21, 2006**

(51) **LOC (8) Cl.** **24-03**

(52) **U.S. Cl.** **D24/156**

(58) **Field of Classification Search** D24/155–157,
D24/133, 107; 623/1.13–1.23; 604/1.02,
604/103.02; 433/141.3, 121; 81/119; D8/388,
D8/394, 387, 312

See application file for complete search history.

(56) **References Cited**

U.S. PATENT DOCUMENTS

847,591	A *	3/1907	Miller	433/121
D201,388	S *	6/1965	Pick	D8/397
D203,947	S *	3/1966	Pick	D8/387
3,458,031	A *	7/1969	Hoffman	433/3
3,511,118	A *	5/1970	Mitchell	81/119
D220,027	S *	3/1971	Myers	D8/397
D233,735	S *	11/1974	Yamamoto et al.	D8/387
D243,580	S *	3/1977	DeCaro	D8/388
5,129,823	A *	7/1992	Hughes	433/141
5,195,892	A *	3/1993	Gersberg	433/174
5,334,024	A	8/1994	Niznick		
5,433,606	A	7/1995	Niznick		
5,829,977	A	11/1998	Rogers		
5,984,680	A	11/1999	Rogers		
6,045,580	A *	4/2000	Scarborough et al.	...	623/17.11
D443,361	S	6/2001	Hurson		
D446,859	S *	8/2001	Hurson	D24/156
D520,856	S *	5/2006	Osiecki et al.	D8/312
2005/0136380	A1	6/2005	Niznick		

OTHER PUBLICATIONS

Diamo Dent Catalog, pp. 12-13, L100B, Feb. 2004.

* cited by examiner

Primary Examiner—Charles A. Rademaker

(74) *Attorney, Agent, or Firm*—Cislo & Thomas, LLP

FIG. 1 is a perspective view of a prosthetic dental abutment showing my new design;

FIG. 2 is a top plan view thereof;

FIG. 3 is a left side elevation thereof;

FIG. 4 is a front elevation thereof;

FIG. 5 is a bottom plan view thereof;

FIG. 6 is a rear elevation thereof;

FIG. 7 is a side perspective view thereof shown on a slightly enlarged scale;

FIG. 8 is another perspective view thereof;

FIG. 9 is another perspective view thereof;

FIG. 10 is another perspective view thereof showing the side opposite that shown in FIG. 7;

FIG. 11 is a perspective view of a modified embodiment of the design shown in FIGS. 1 through 10;

FIG. 12 is a top plan view thereof;

FIG. 13 is a right side elevation thereof, the side opposite being a mirror image;

FIG. 14 is a front elevation thereof;

FIG. 15 is a bottom plan view thereof;

FIG. 16 is a rear elevation thereof;

FIG. 17 is a side perspective view thereof shown on a slightly enlarged scale;

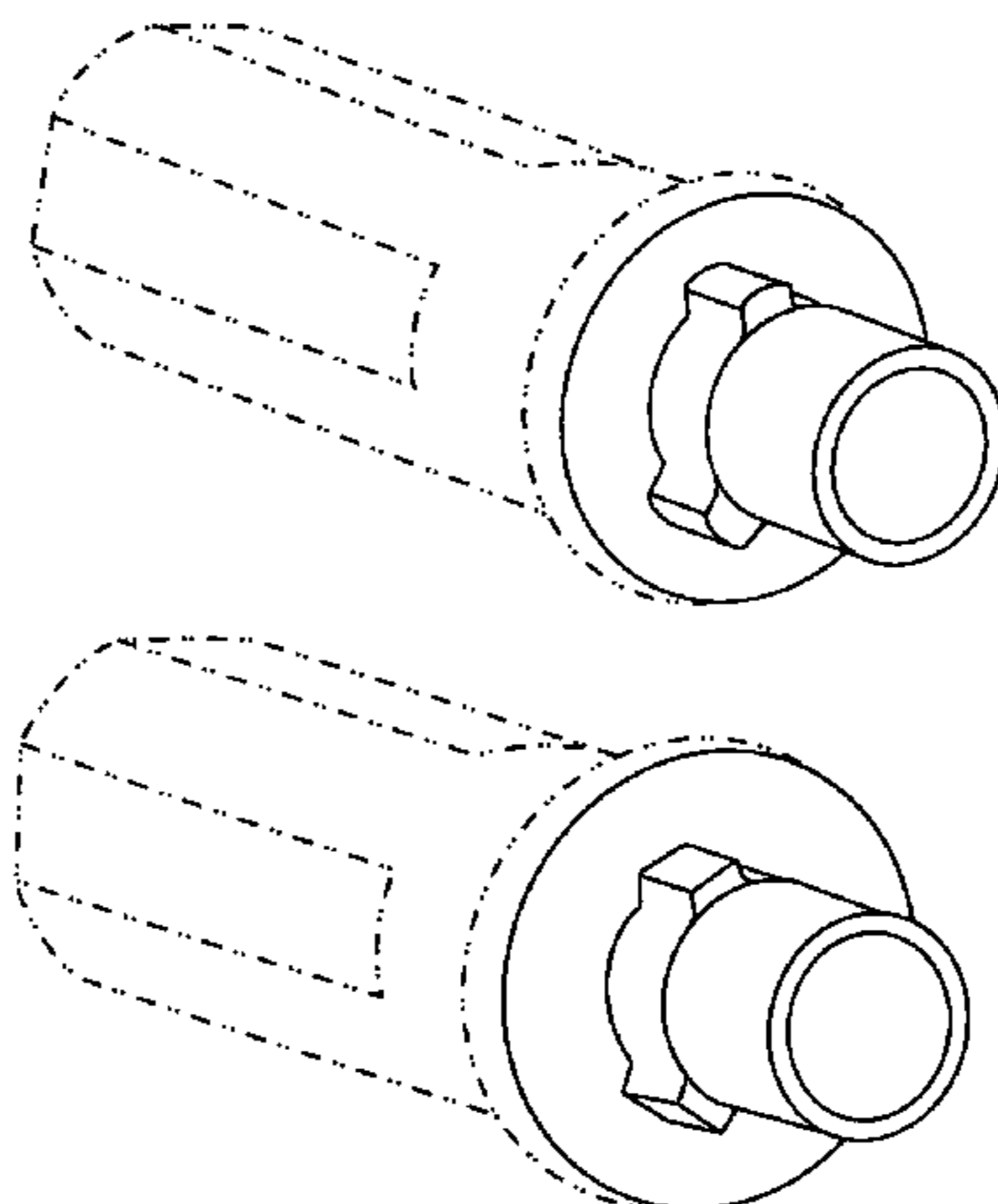
FIG. 18 is another perspective view thereof;

FIG. 19 is another perspective view thereof; and,

FIG. 20 is another perspective view thereof.

The broken line showing of portions of the design is included for the purpose of illustrating environmental structure and forms no part of the claimed design.

1 Claim, 4 Drawing Sheets



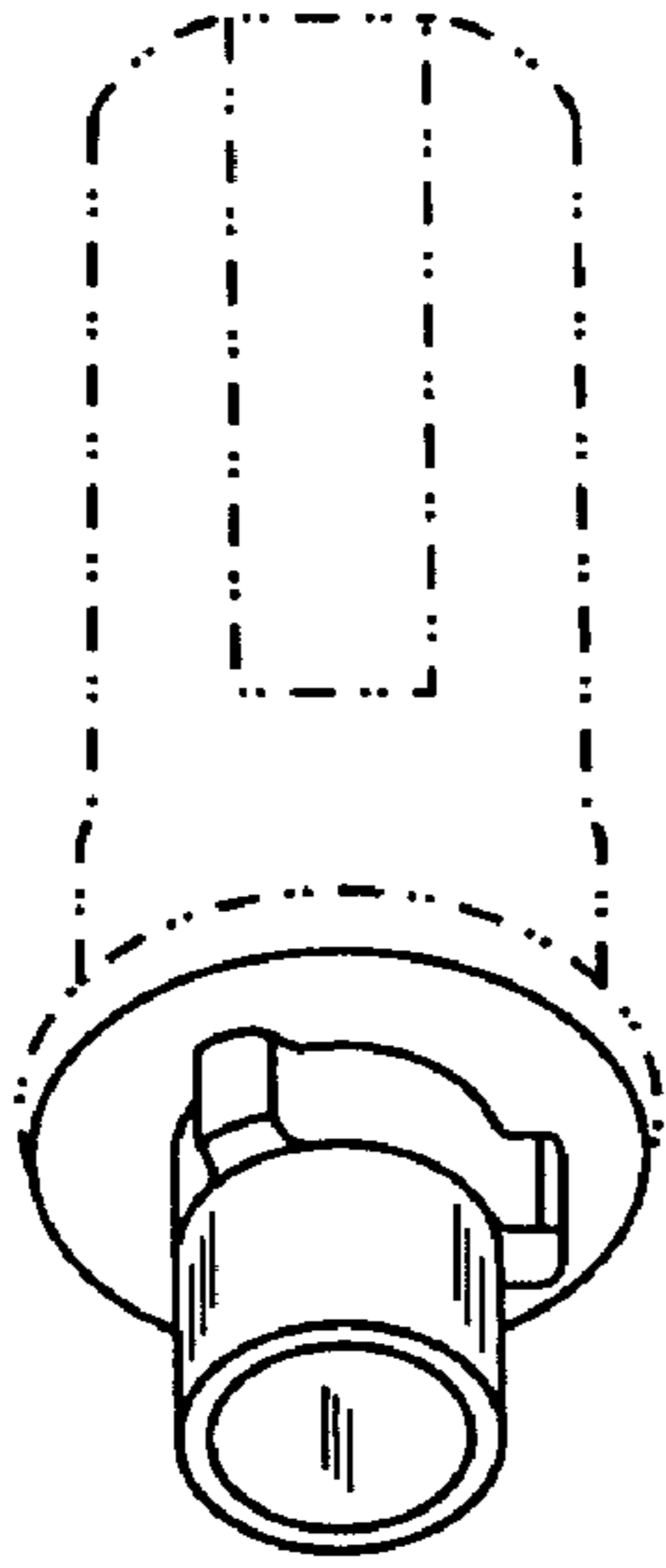


FIG. 1

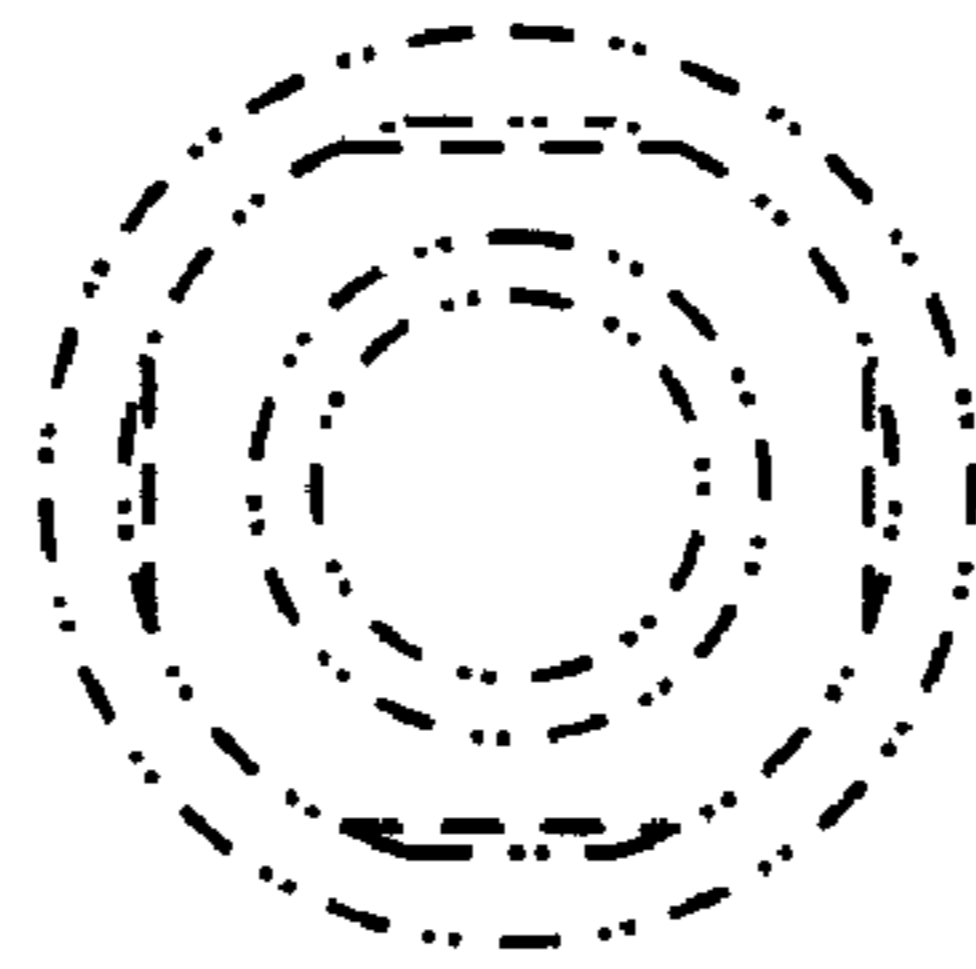


FIG. 2

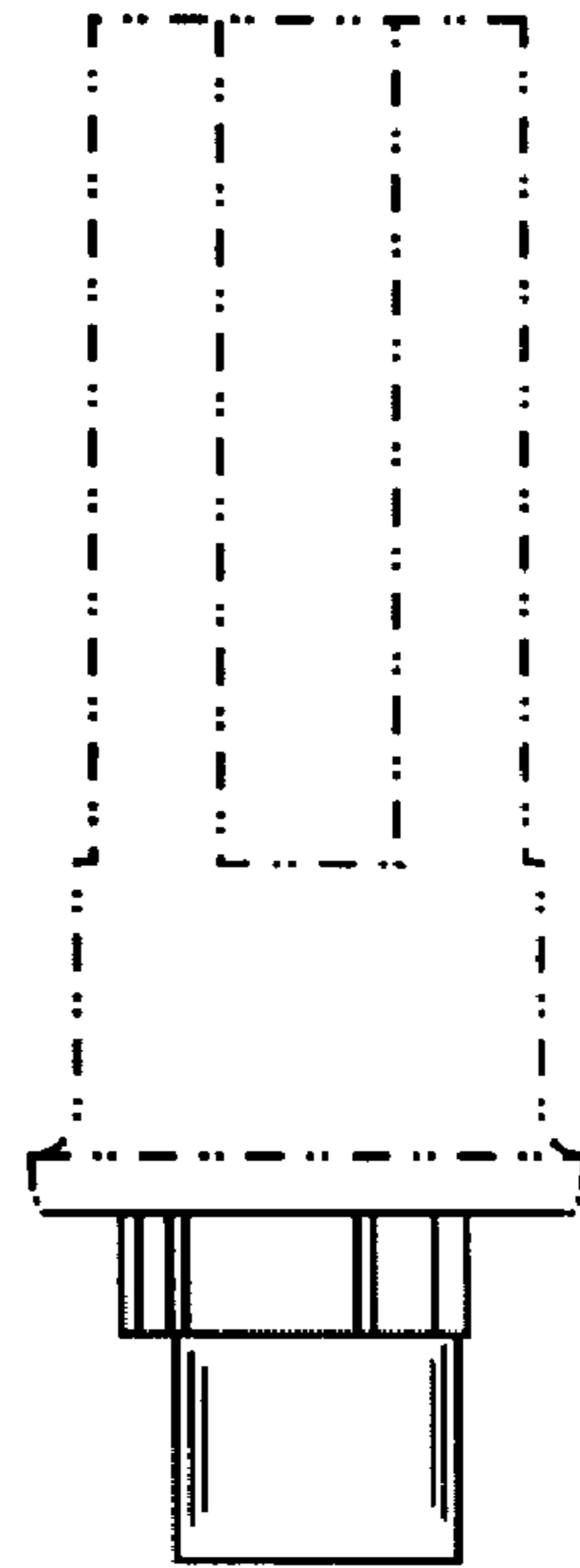


FIG. 3

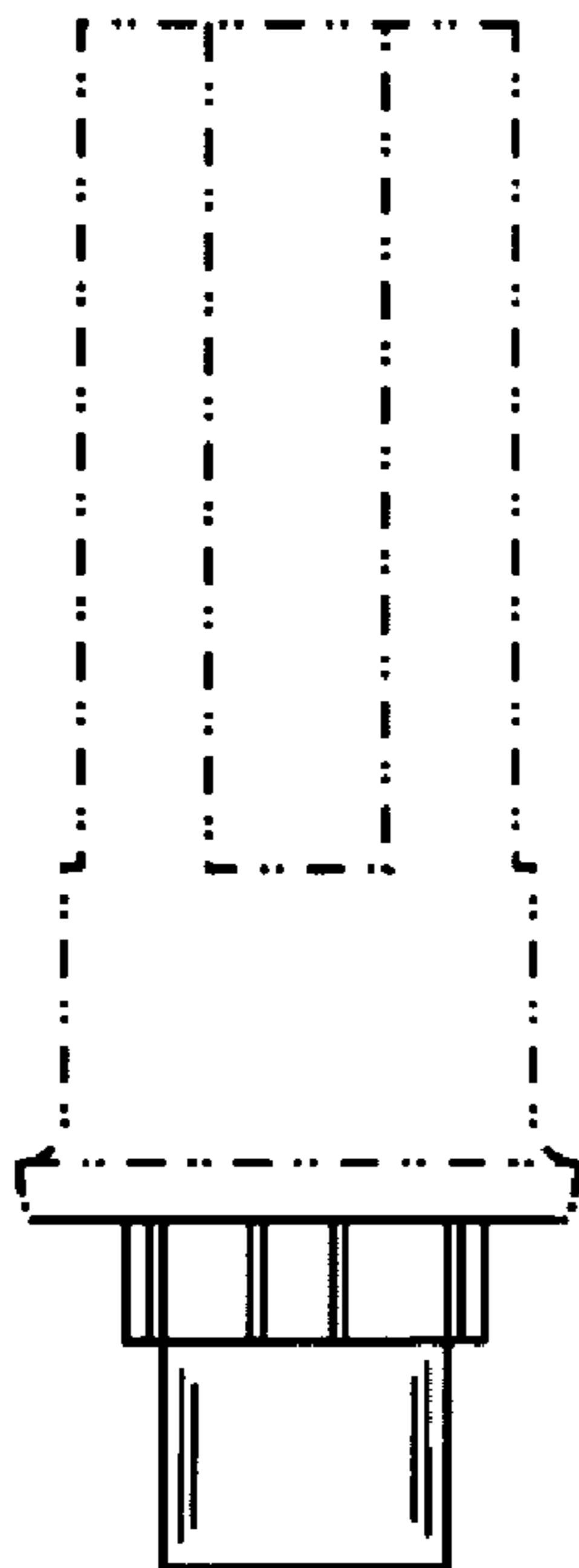


FIG. 4

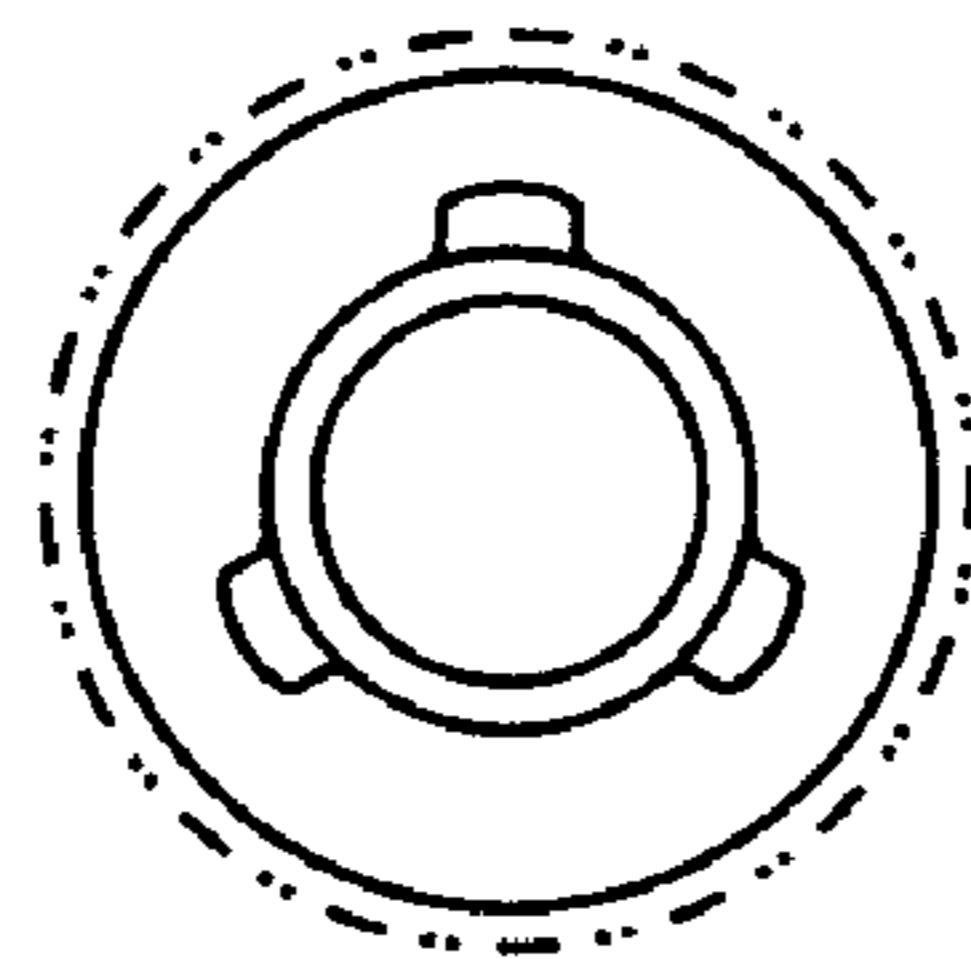


FIG. 5

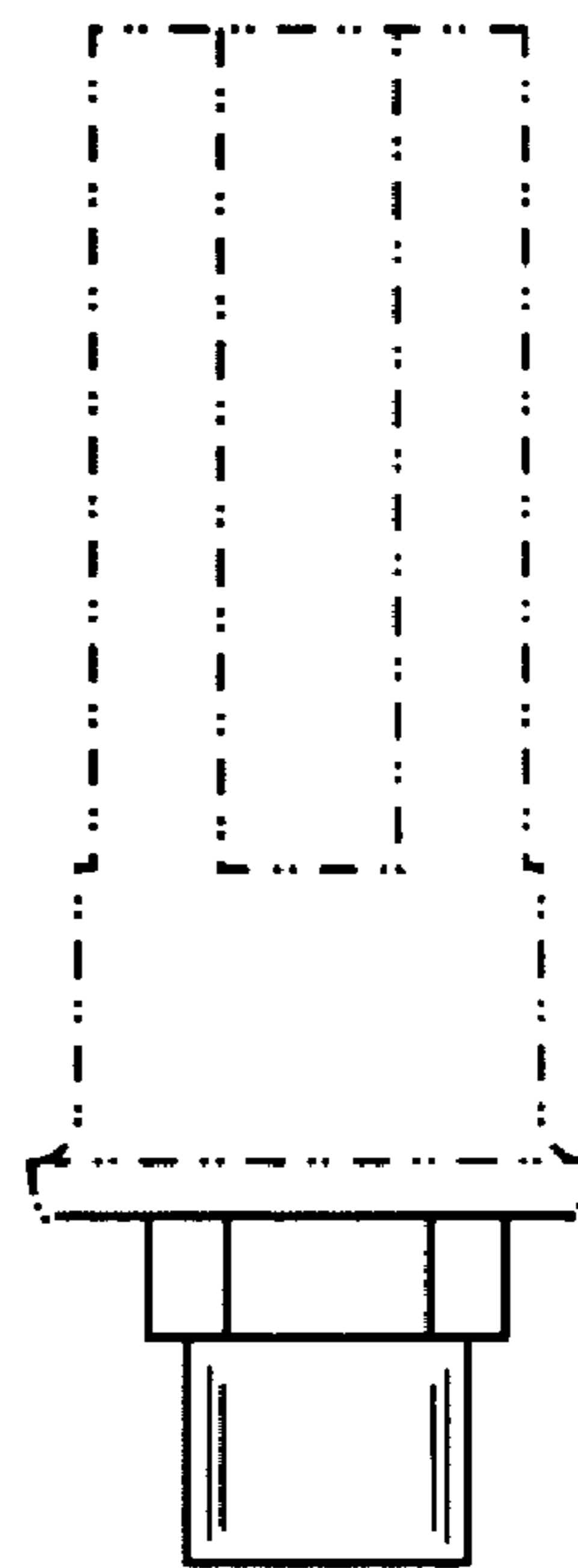


FIG. 6

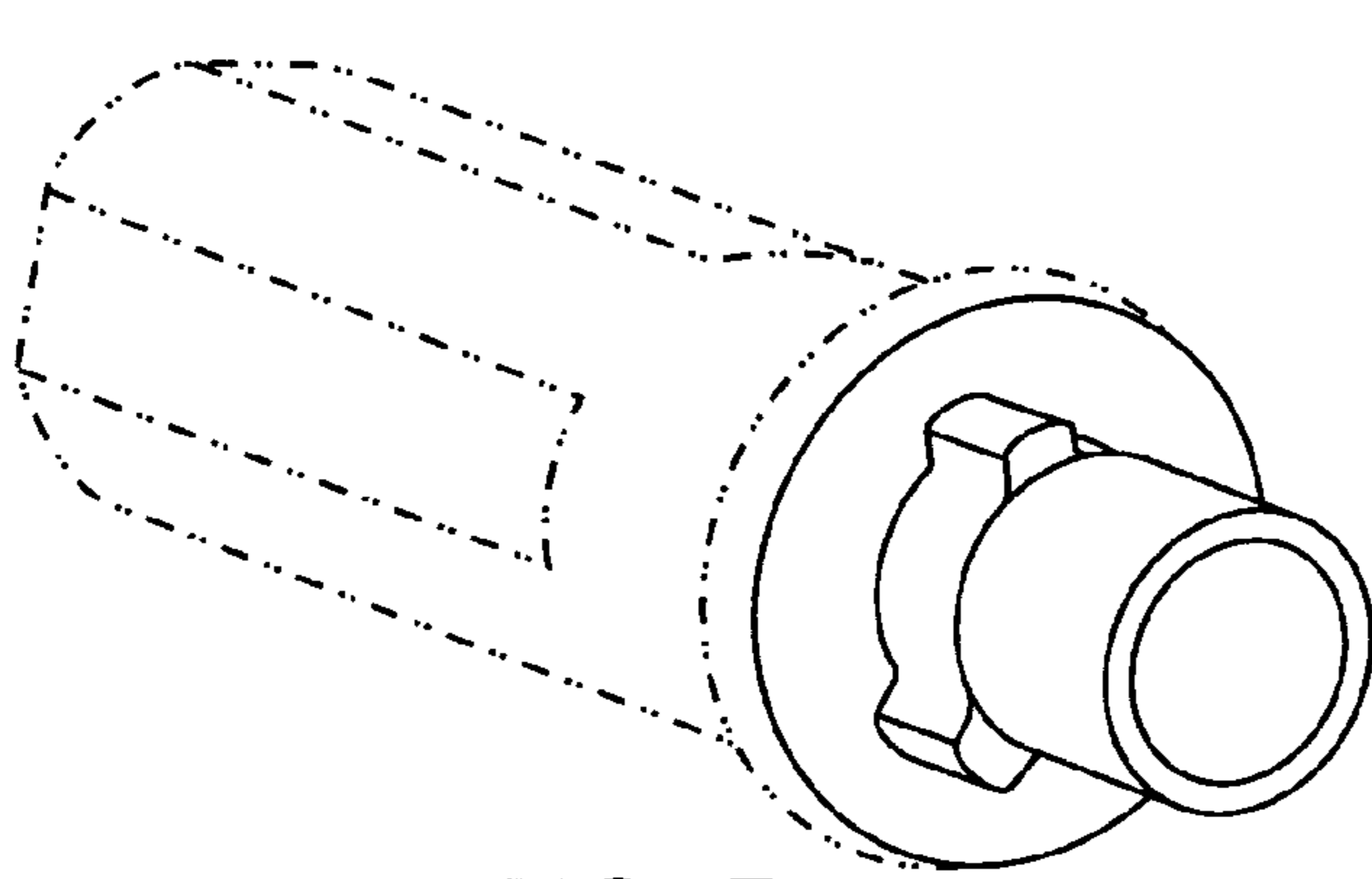


FIG. 7

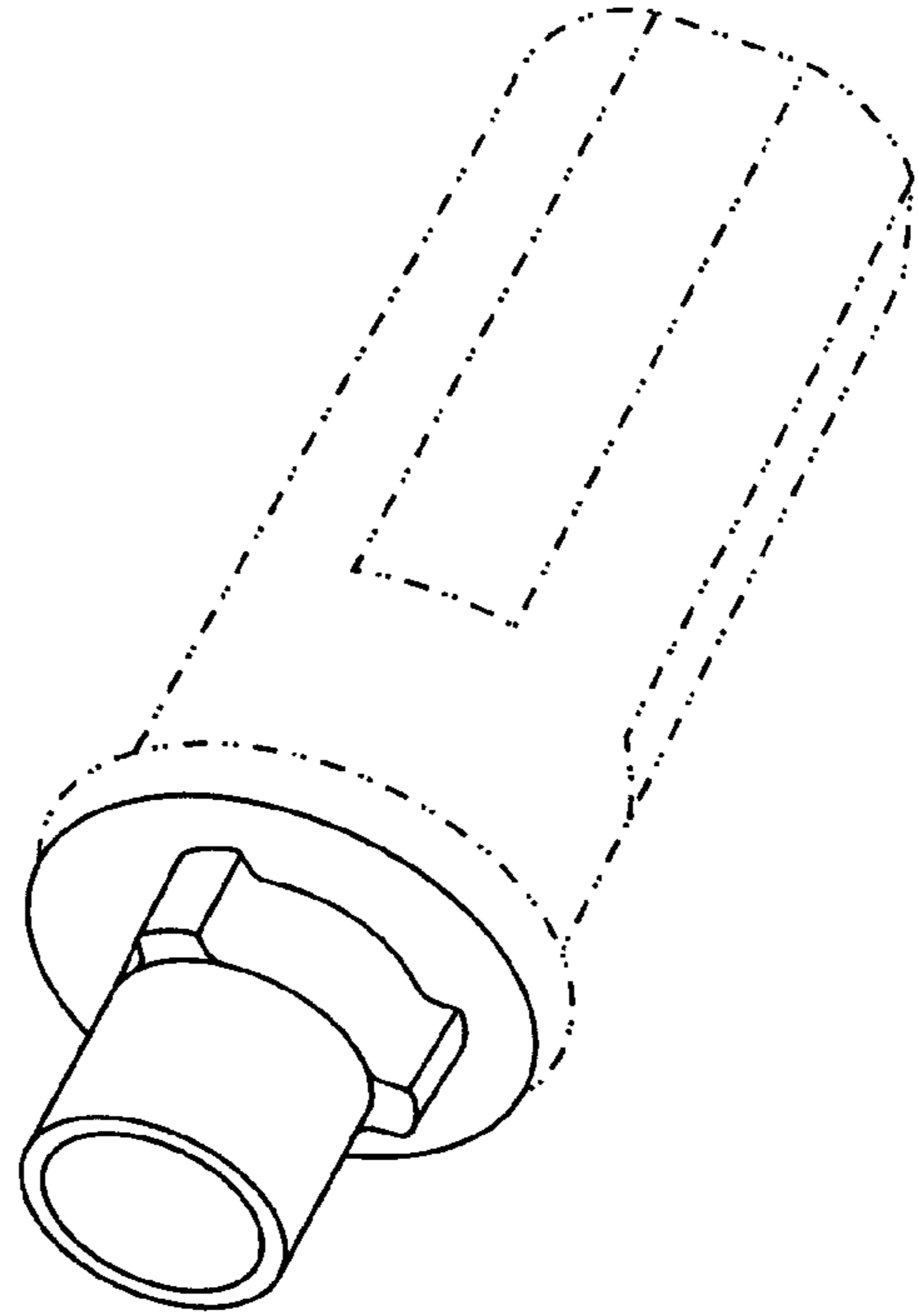


FIG. 8

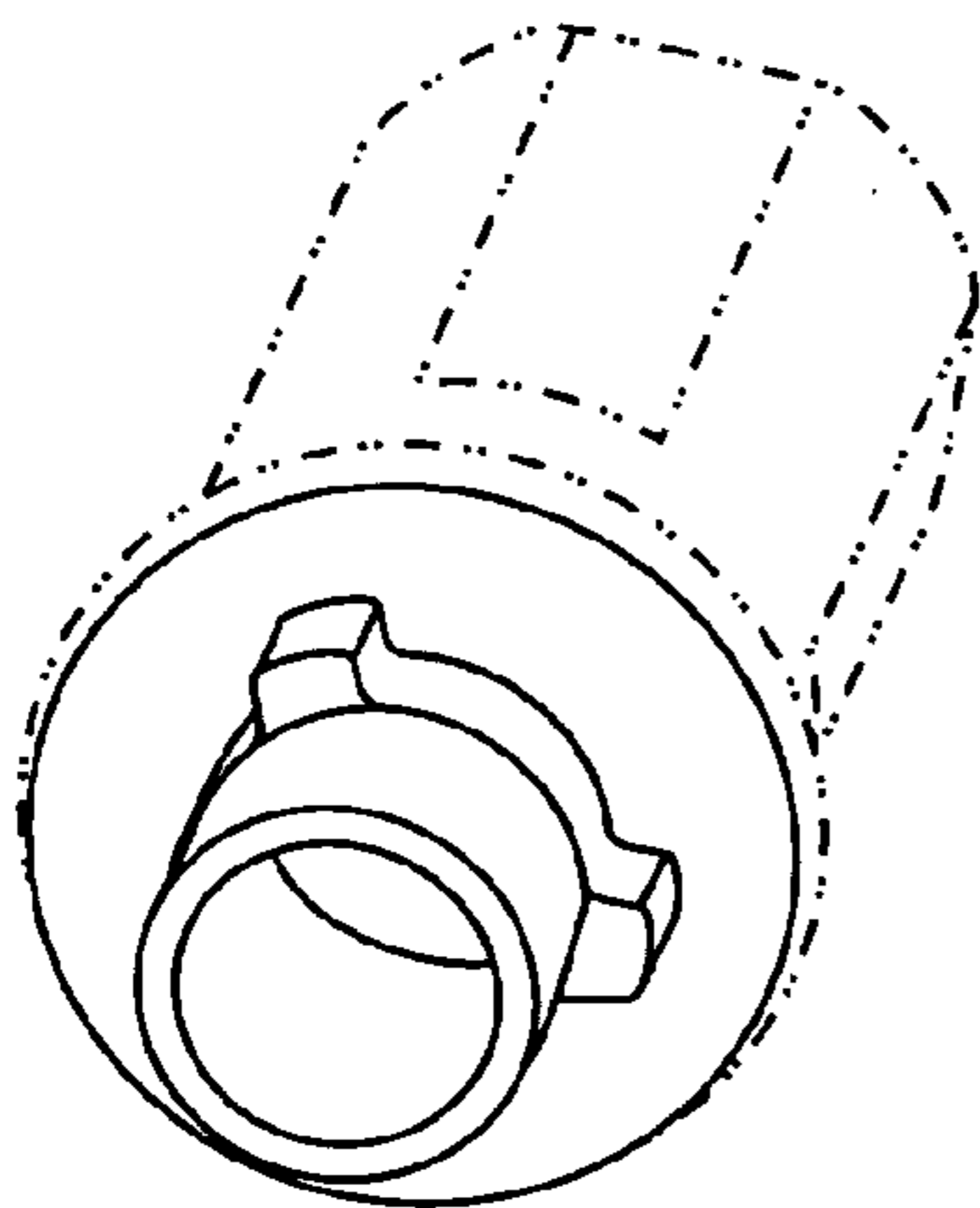


FIG. 9

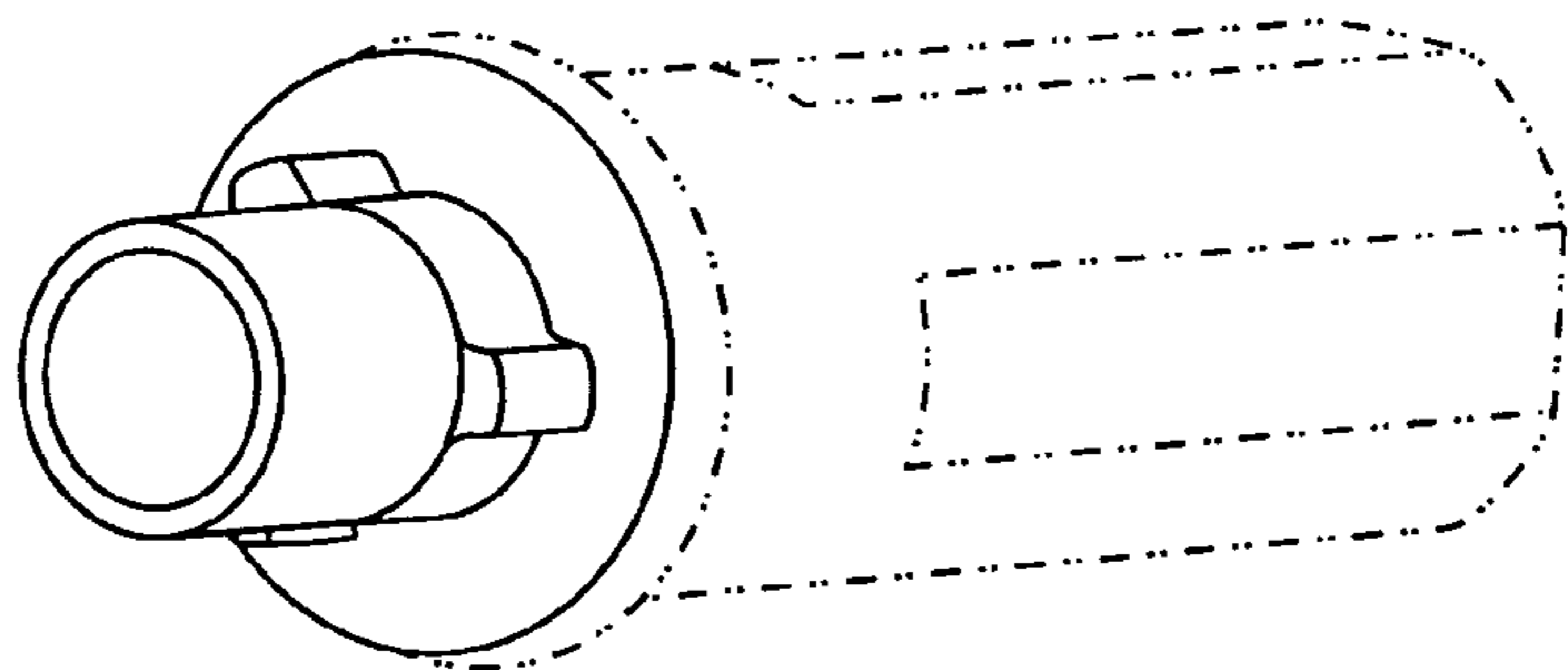


FIG. 10

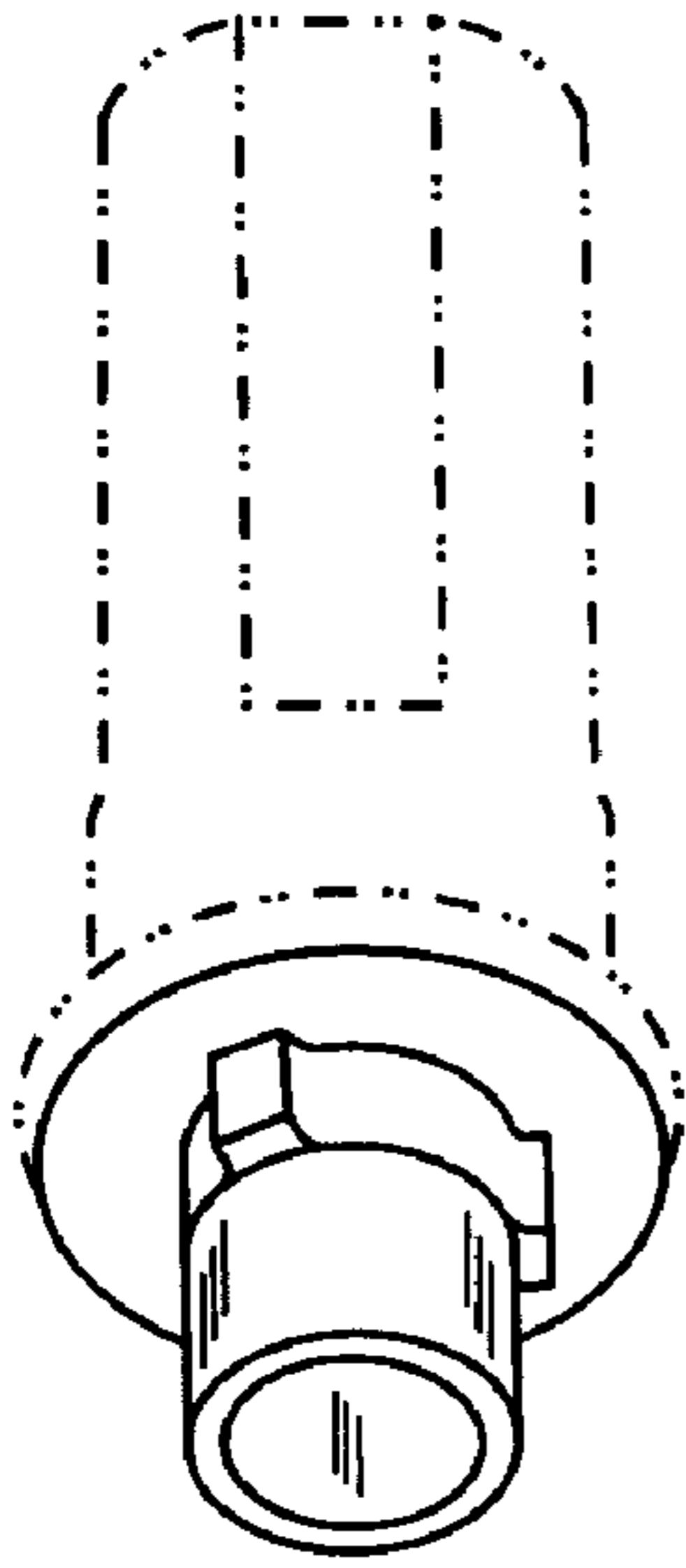


FIG. 11

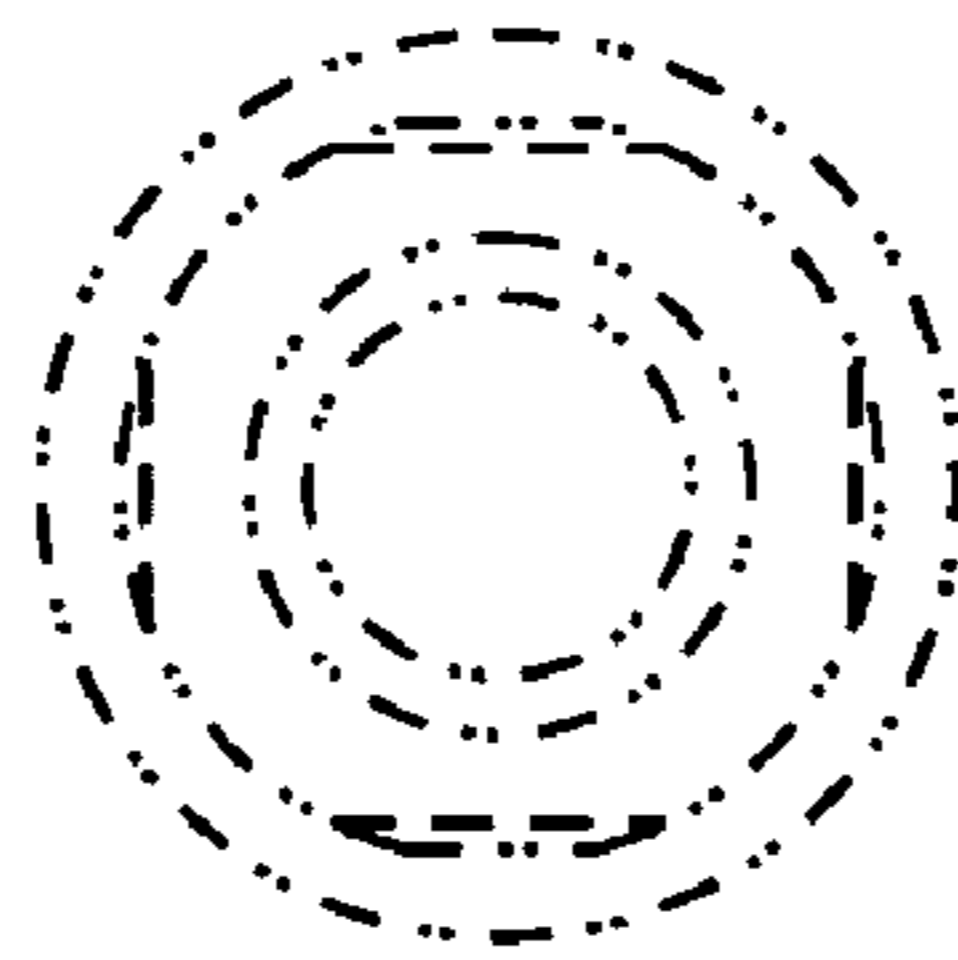


FIG. 12

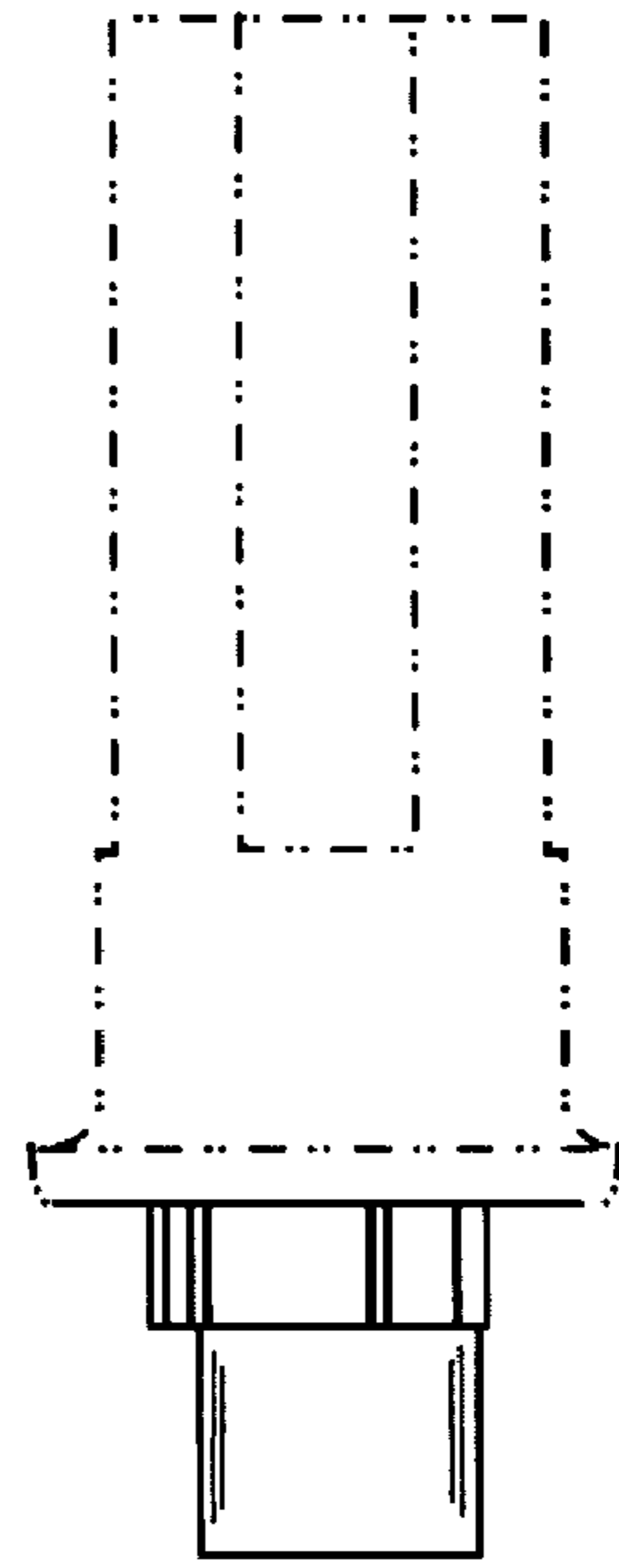


FIG. 13

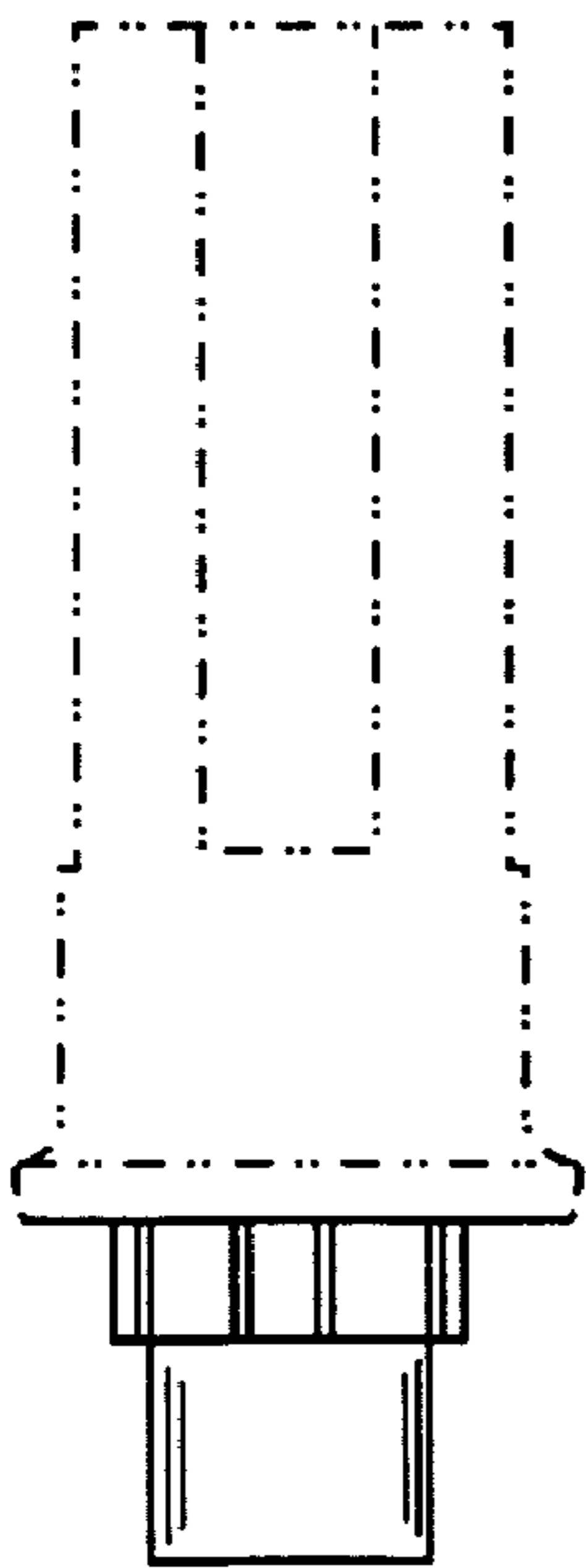


FIG. 14

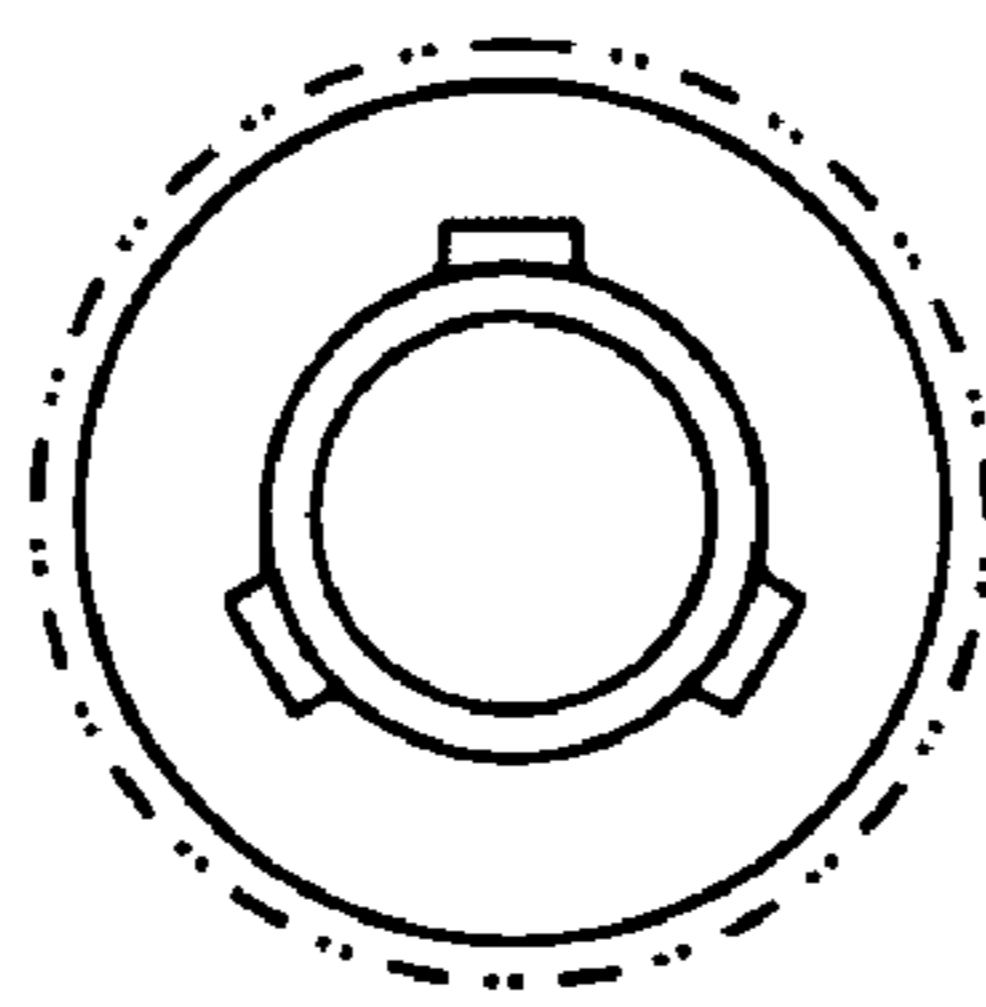


FIG. 15

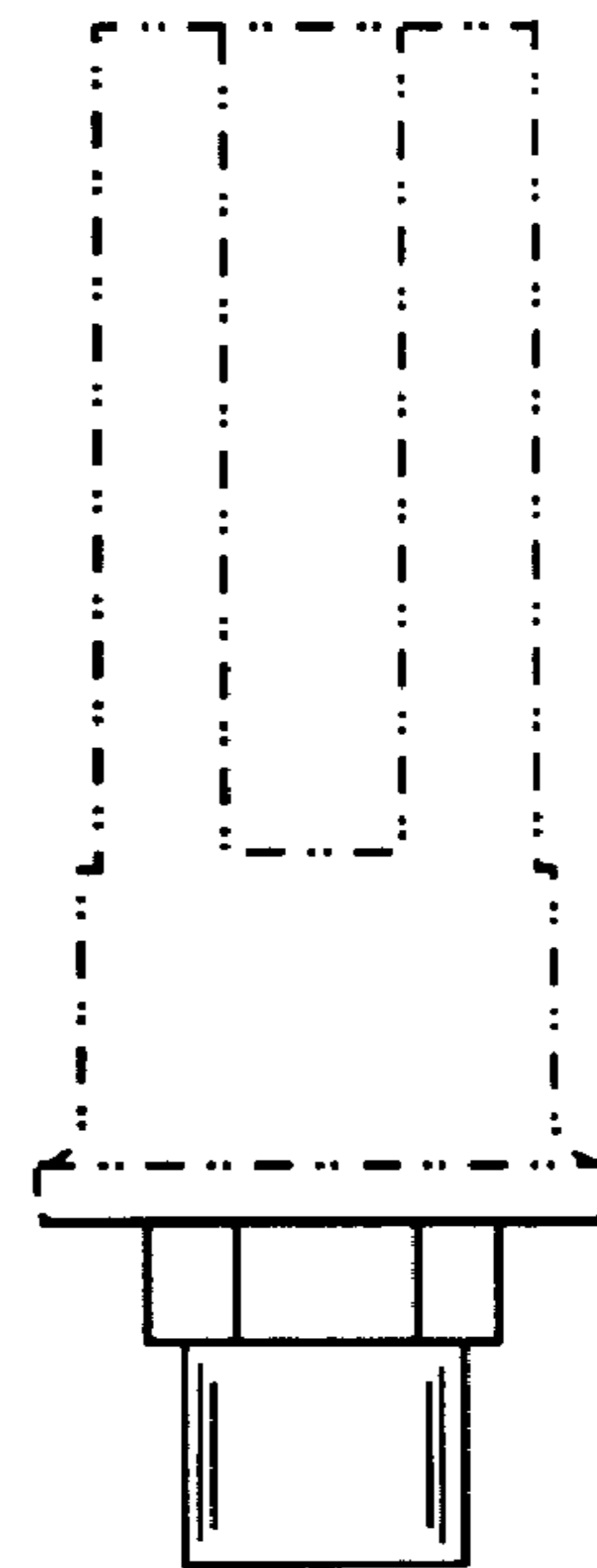


FIG. 16

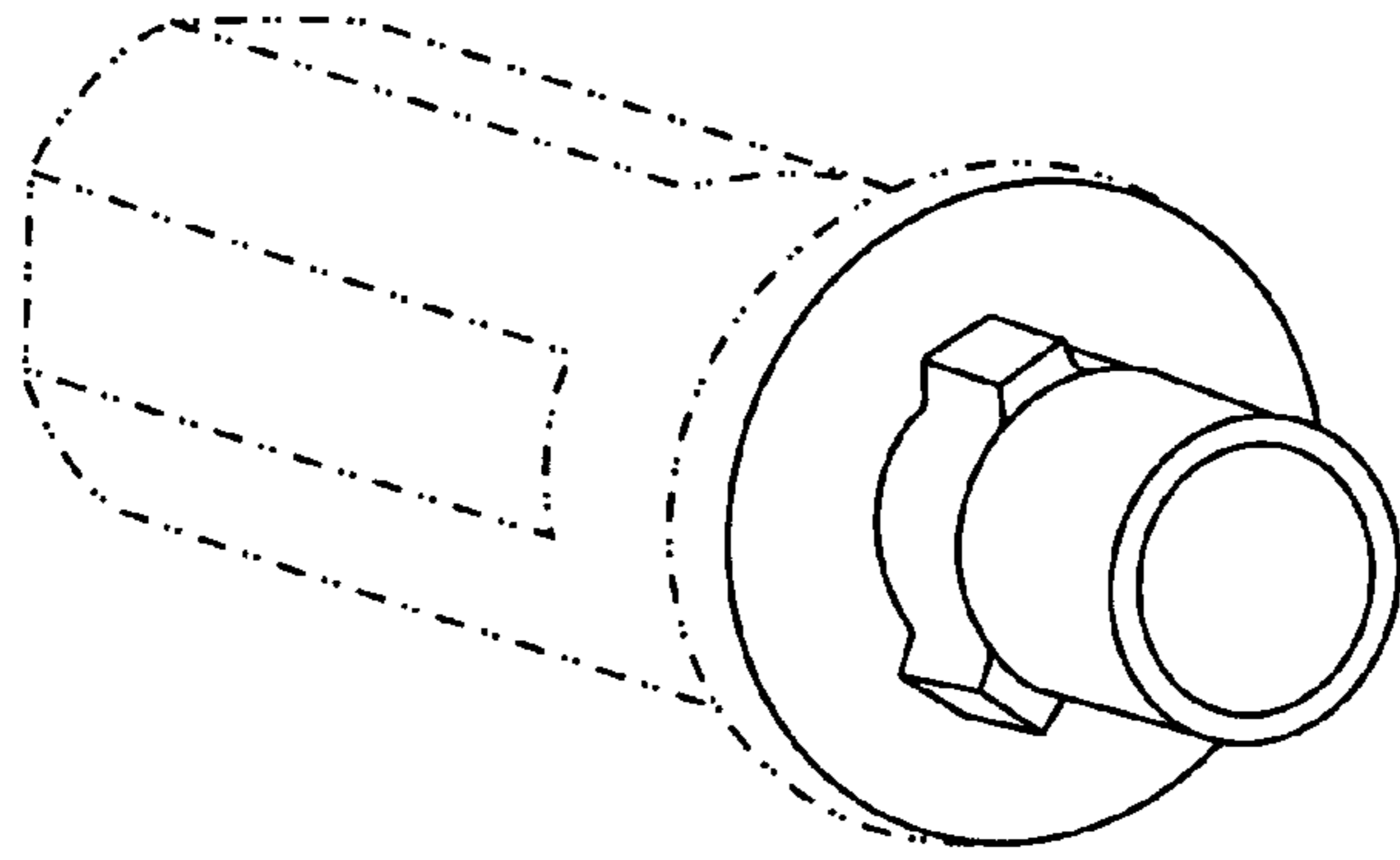


FIG. 17

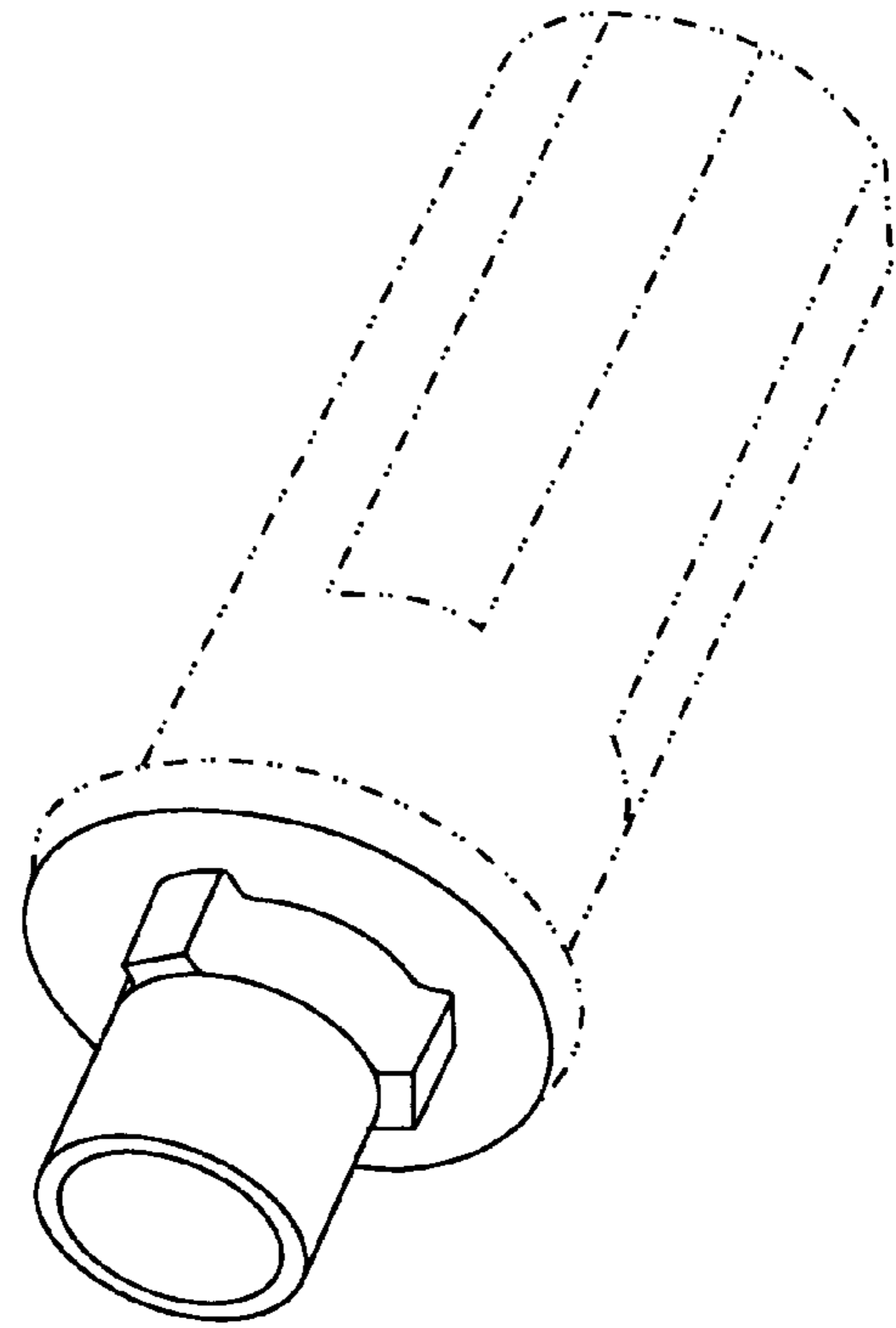


FIG. 18

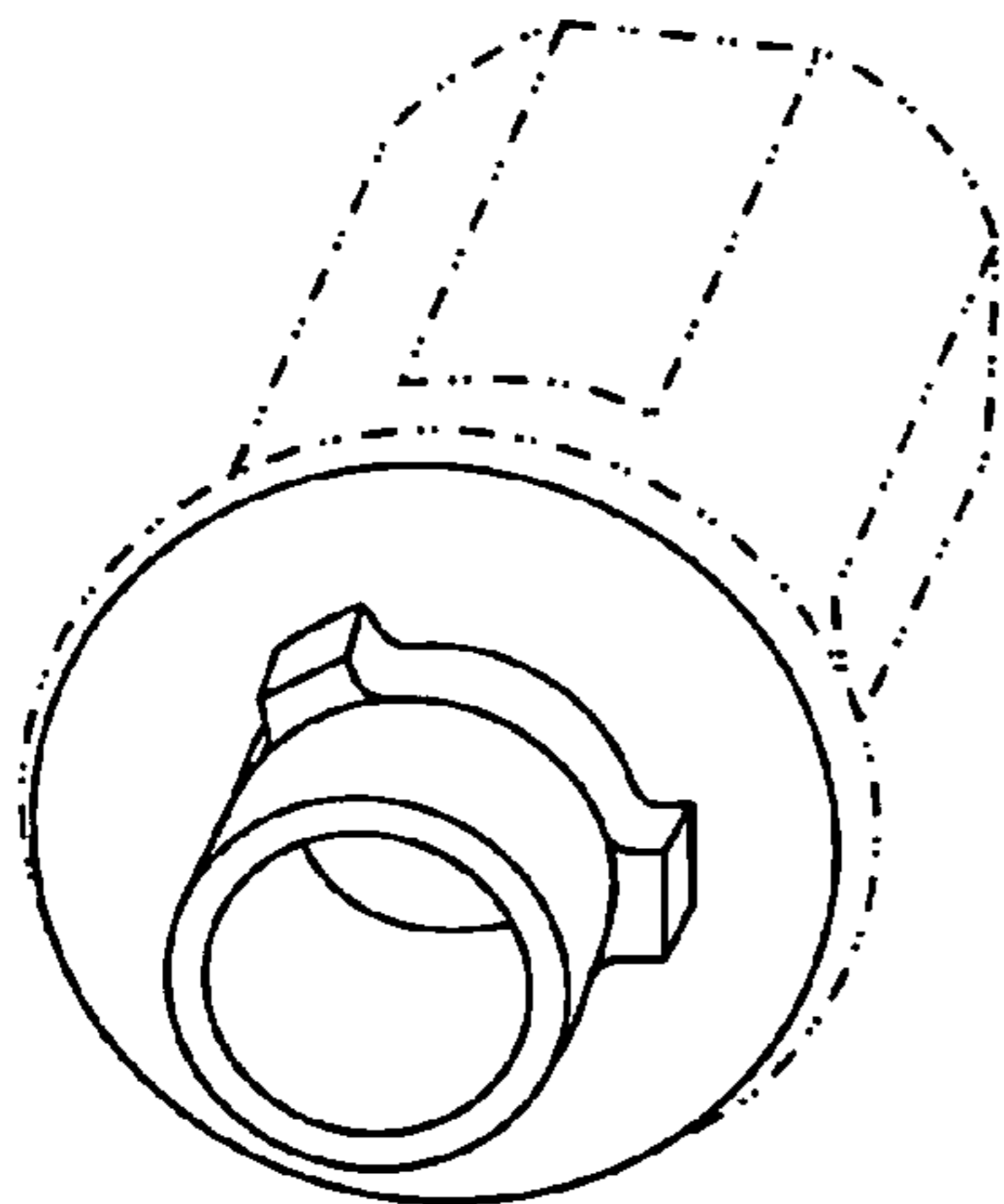


FIG. 19

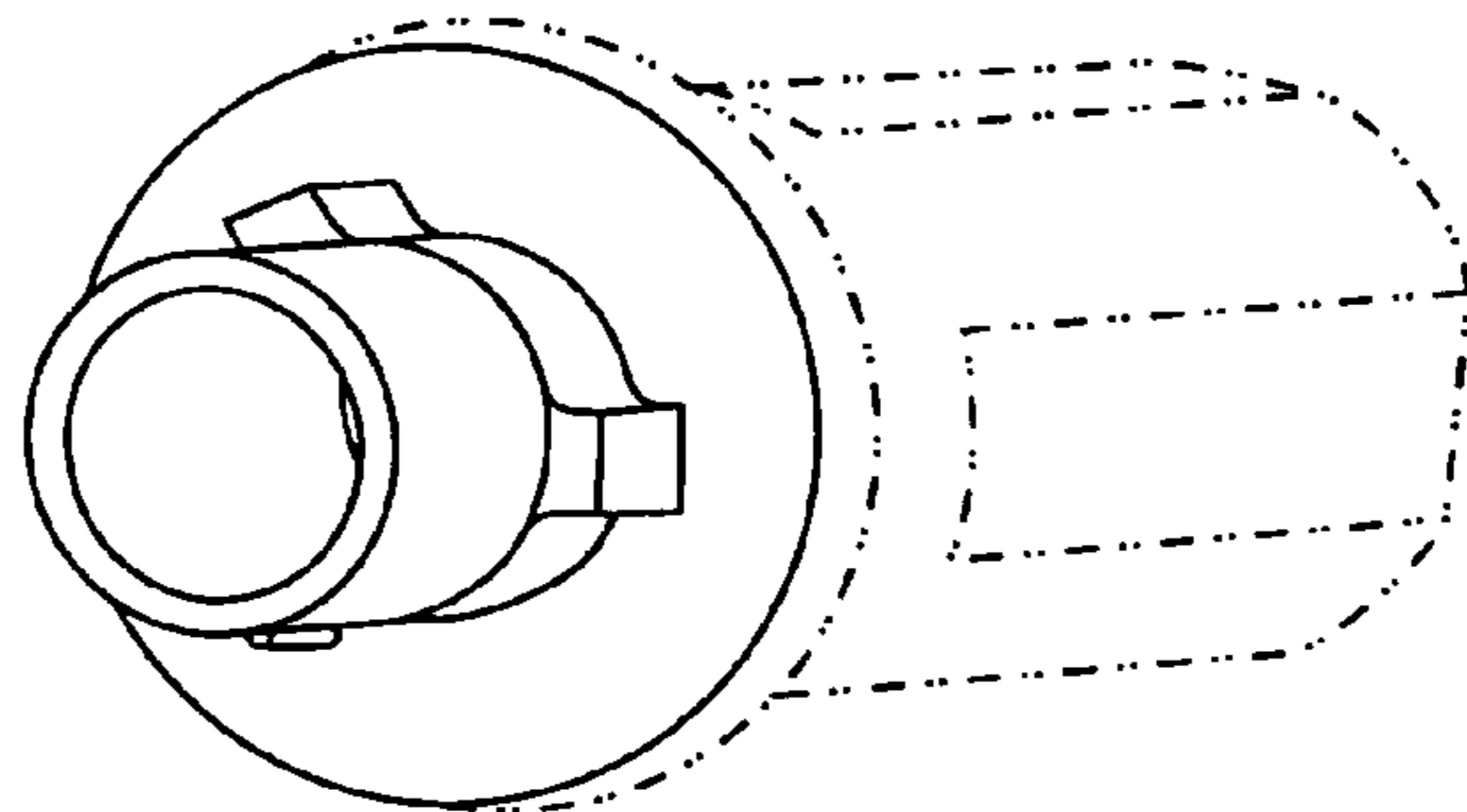


FIG. 20