



US00D562451S

(12) **United States Design Patent**
Braynin et al.

(10) **Patent No.:** **US D562,451 S**
(45) **Date of Patent:** **** Feb. 19, 2008**

(54) **REMOVABLE TIP OF A HANDPIECE FOR A DERMATOLOGICAL OPTICAL DELIVERY SYSTEM**

6,921,385 B2 * 7/2005 Clements et al. 604/141

* cited by examiner

(75) Inventors: **Boris Braynin**, San Jose, CA (US);
Jeffrey L. Sobiech, San Jose, CA (US)

Primary Examiner—Ian Simmons
Assistant Examiner—Christopher Lee
(74) *Attorney, Agent, or Firm*—Fenwick & West LLP

(73) Assignee: **Reliant Technologies, Inc.**, Mountain View, CA (US)

(57) **CLAIM**

(**) Term: **14 Years**

The ornamental design for a removable tip of a handpiece for a dermatological optical delivery system, as shown and described.

(21) Appl. No.: **29/249,869**

(22) Filed: **Oct. 24, 2006**

DESCRIPTION

(51) **LOC (8) Cl.** **24-02**

FIG. 1 is a perspective view showing the top, front side, and right side of a removable tip of a handpiece for a dermatological optical delivery system according to our new design; FIG. 2 is a front view thereof; FIG. 3 is a rear view thereof; FIG. 4 is a right side view thereof; FIG. 5 is a left side view thereof; FIG. 6 is a bottom view thereof; and, FIG. 7 is a top view thereof.

(52) **U.S. Cl.** **D24/133**

(58) **Field of Classification Search** D24/133,
D24/157, 150, 146, 108; D8/82, 83, 107;
604/410, 141, 22, 31, 151; 606/107, 131,
606/22, 78, 80

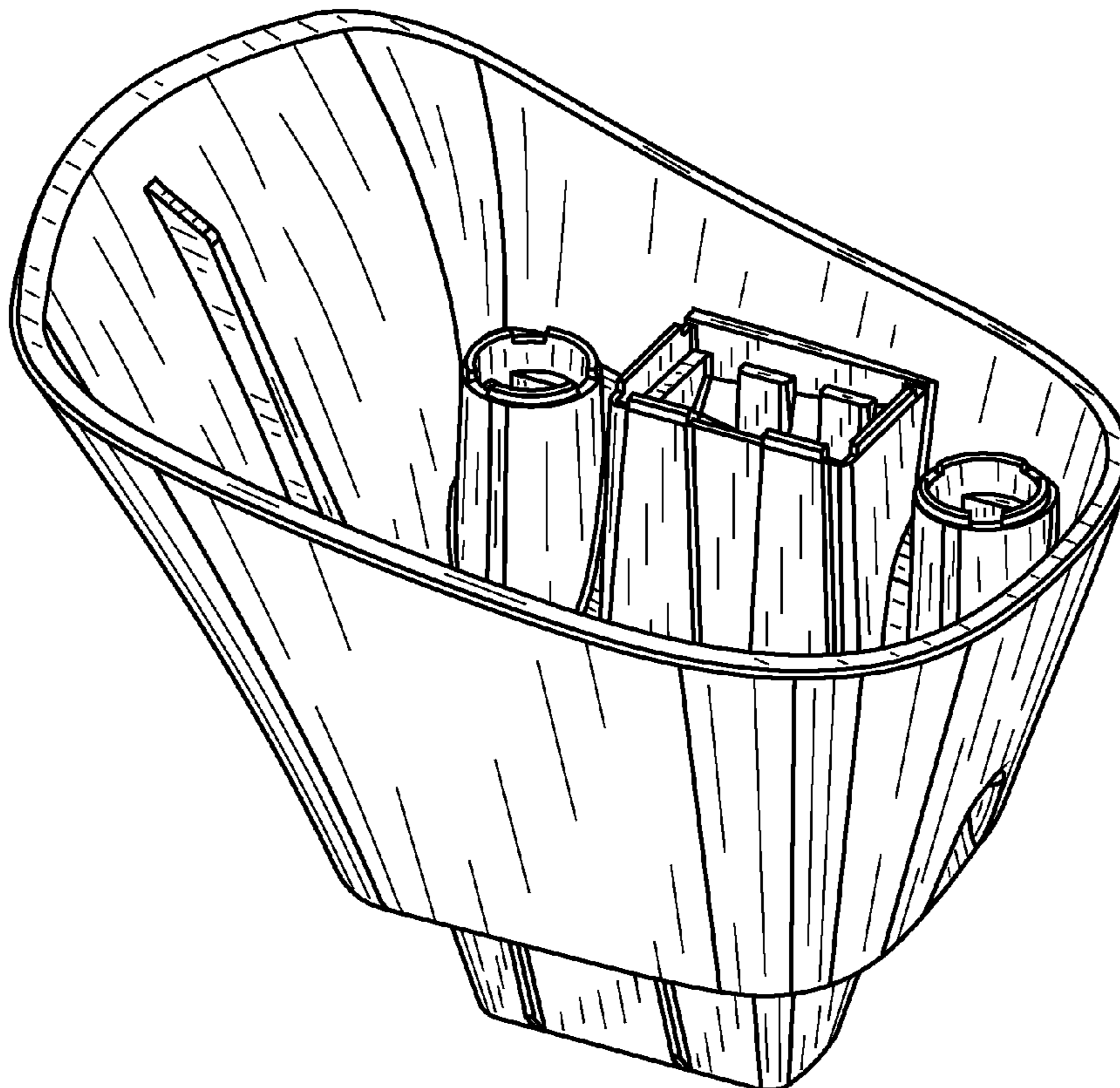
See application file for complete search history.

(56) **References Cited**

U.S. PATENT DOCUMENTS

D441,863 S * 5/2001 Khalaj et al. D24/133
D495,054 S * 8/2004 Laun et al. D24/146

1 Claim, 4 Drawing Sheets



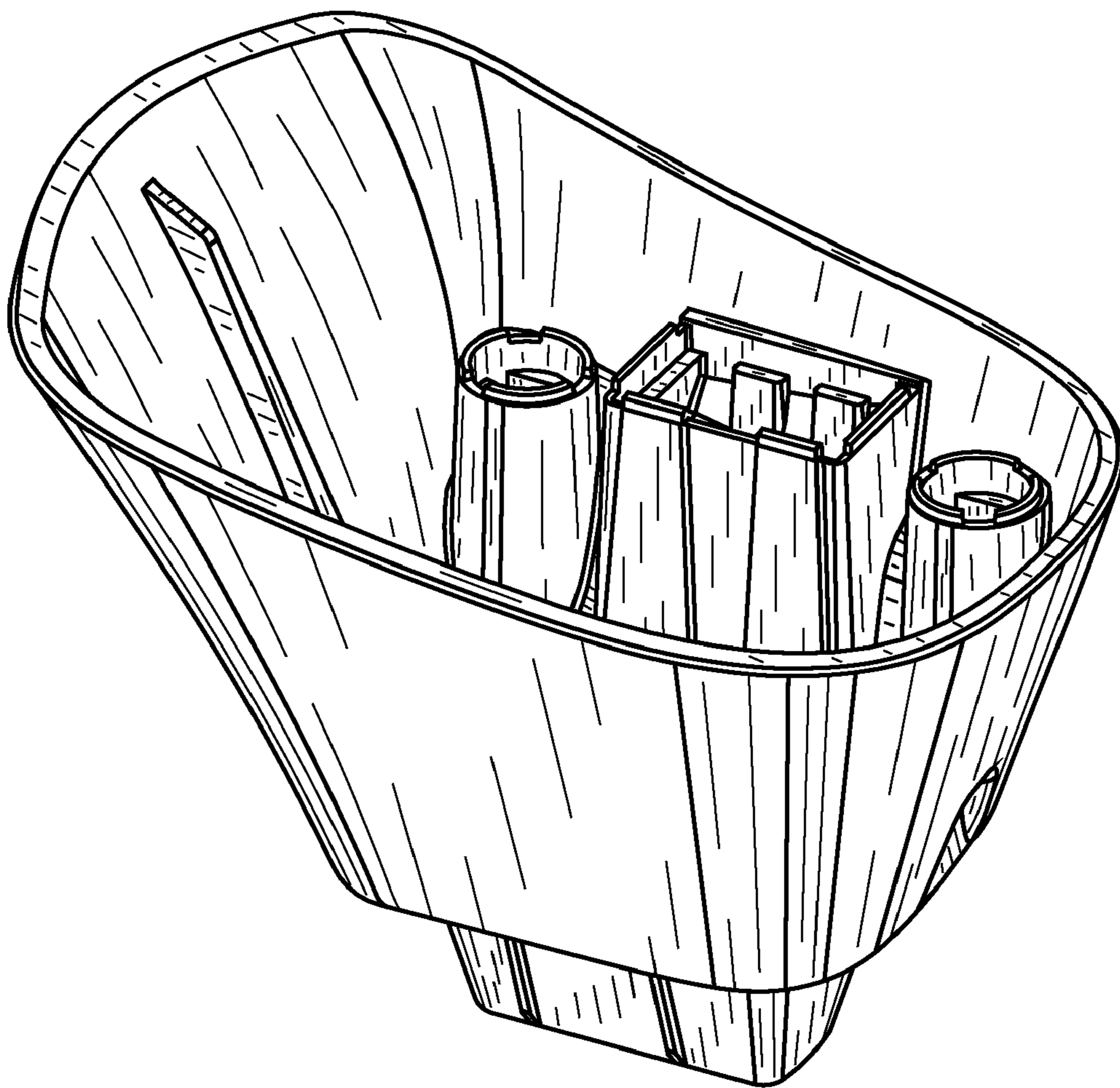


FIG. 1

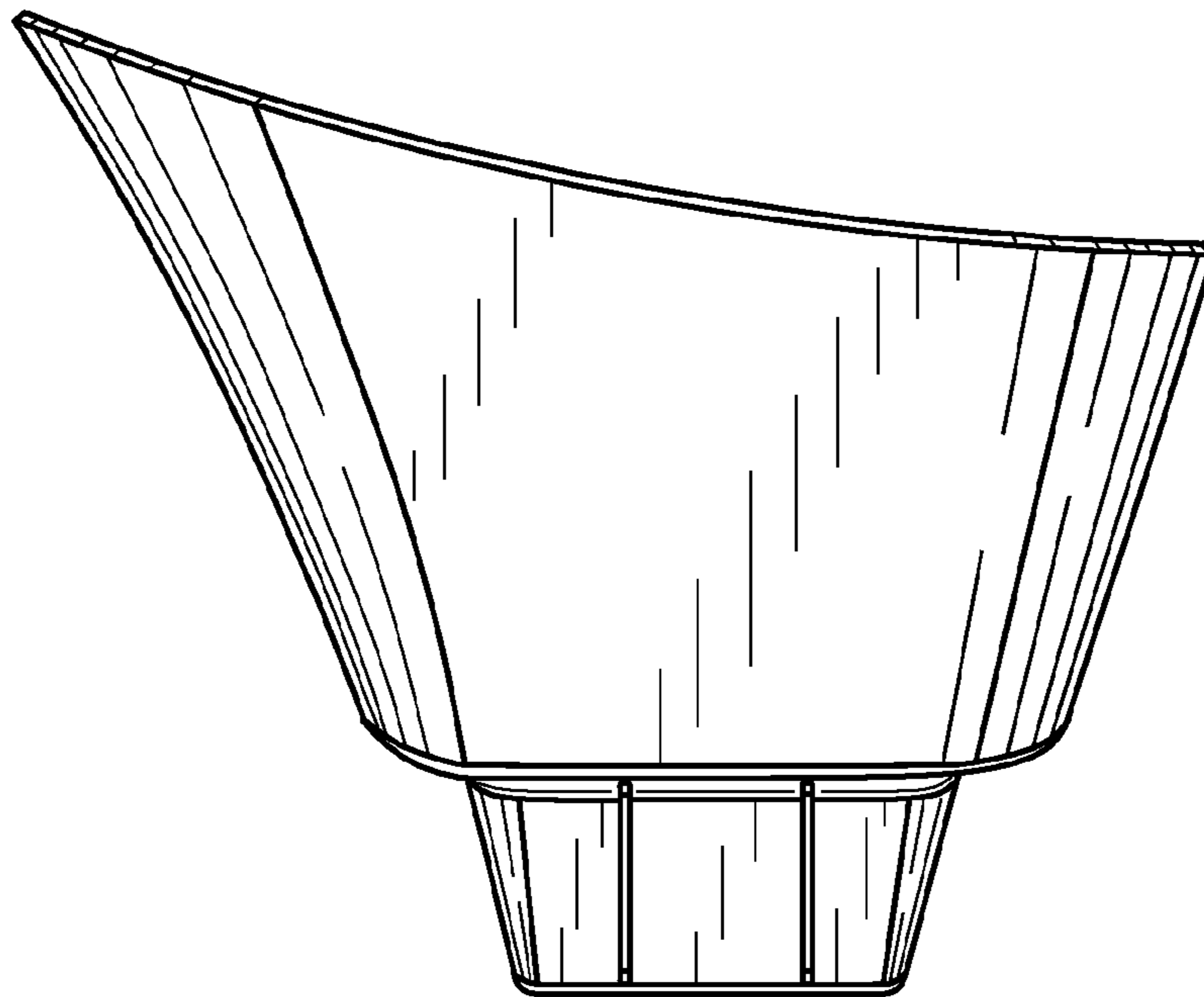


FIG. 2

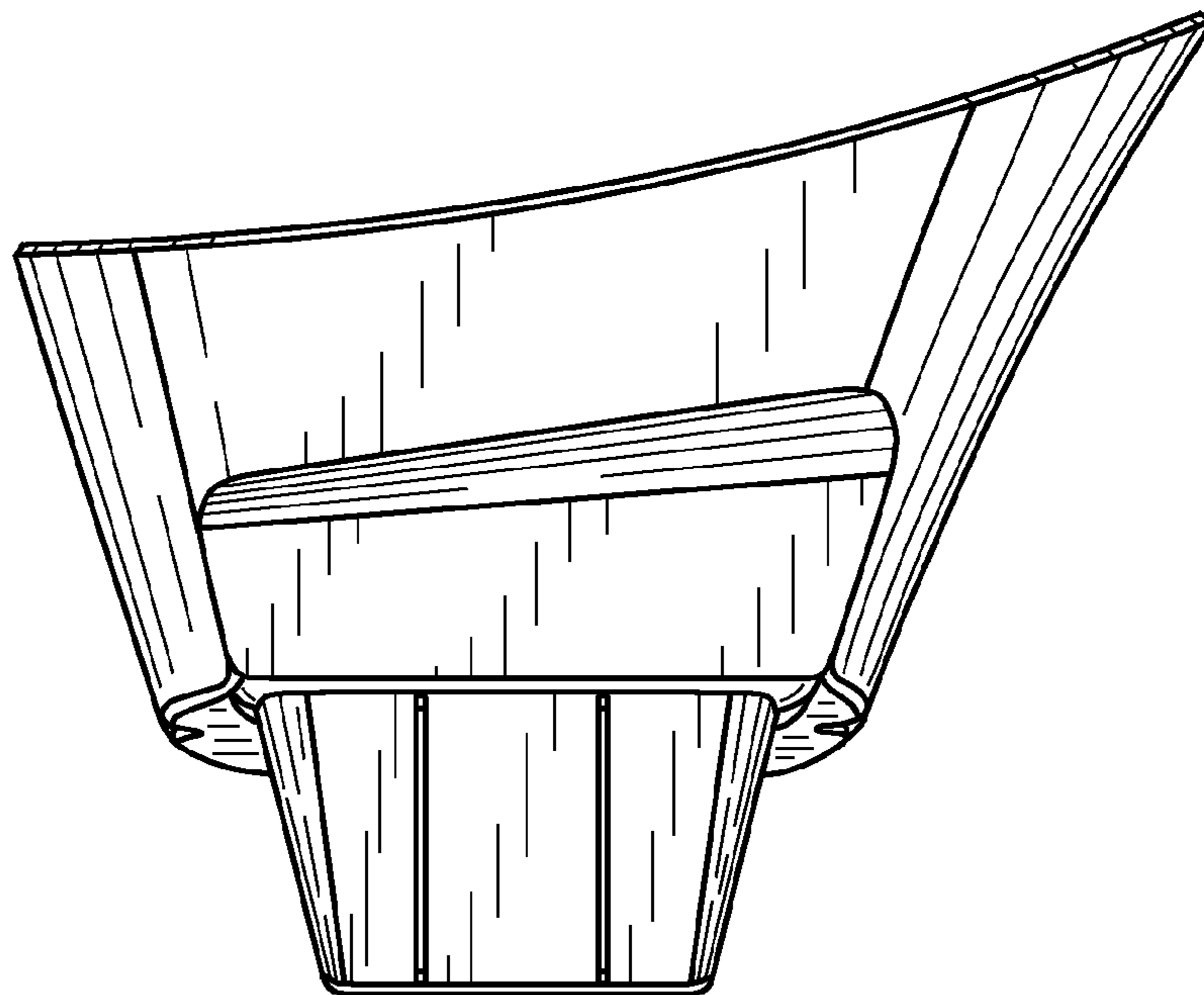


FIG. 3

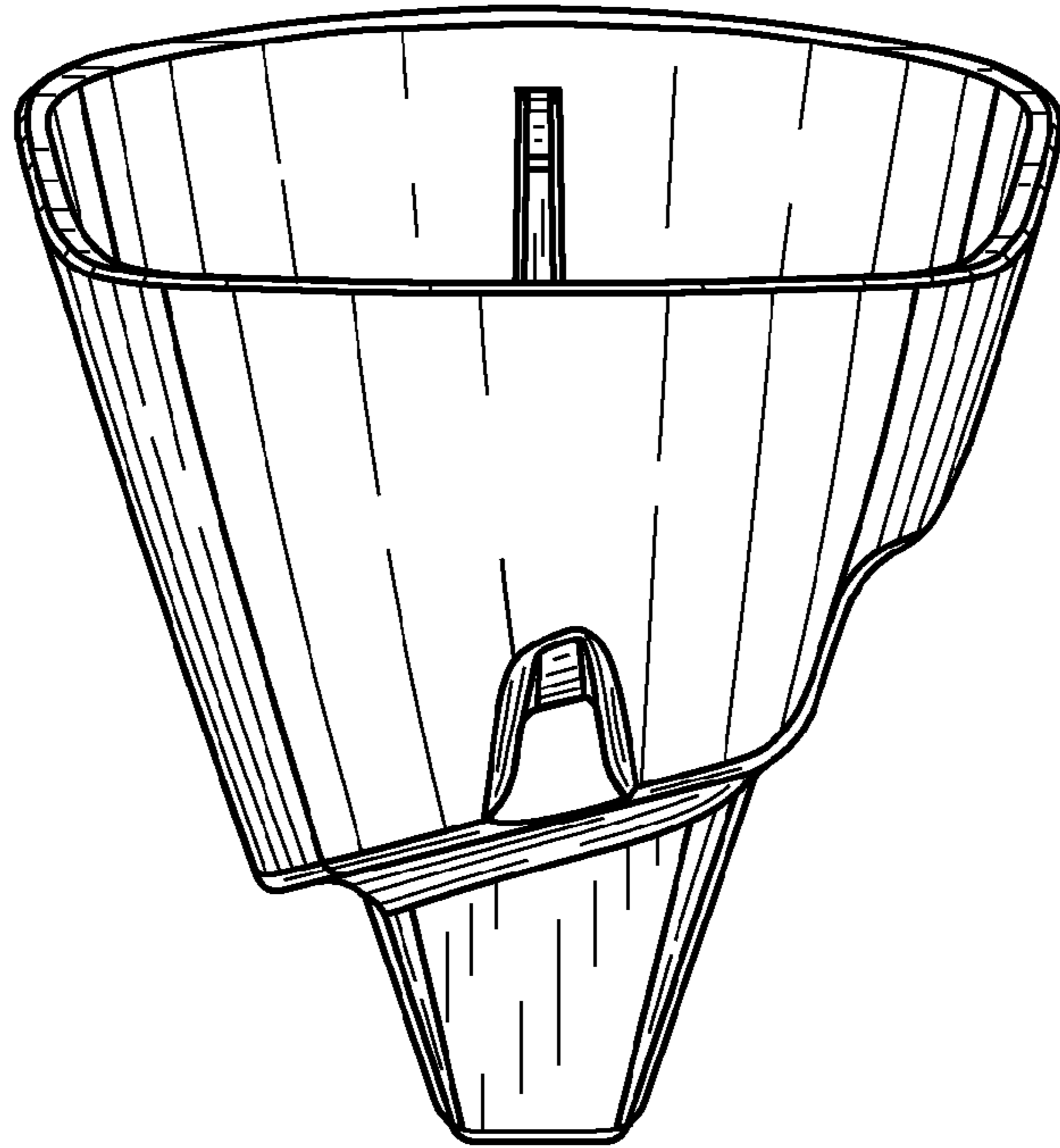


FIG. 4

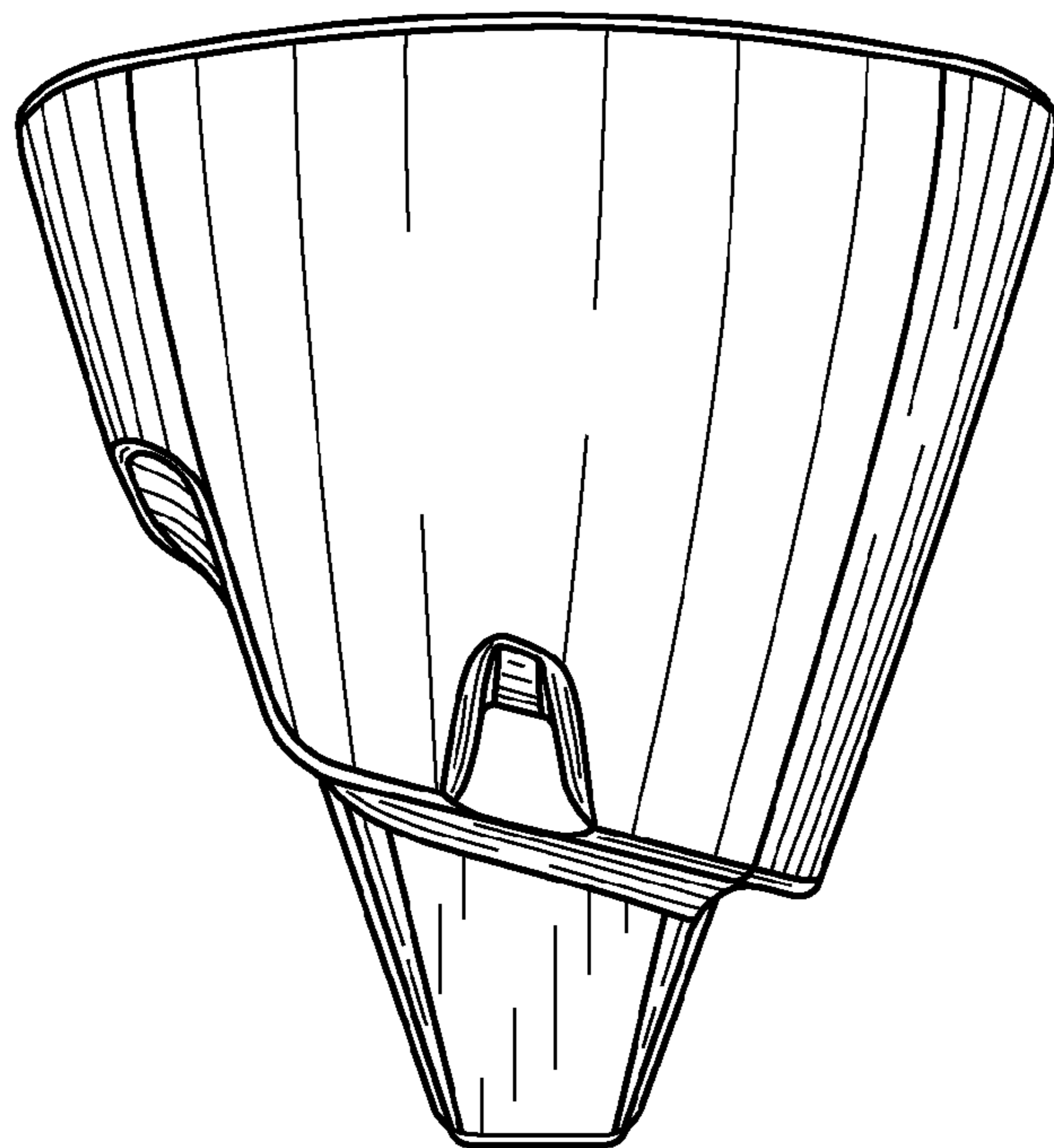


FIG. 5

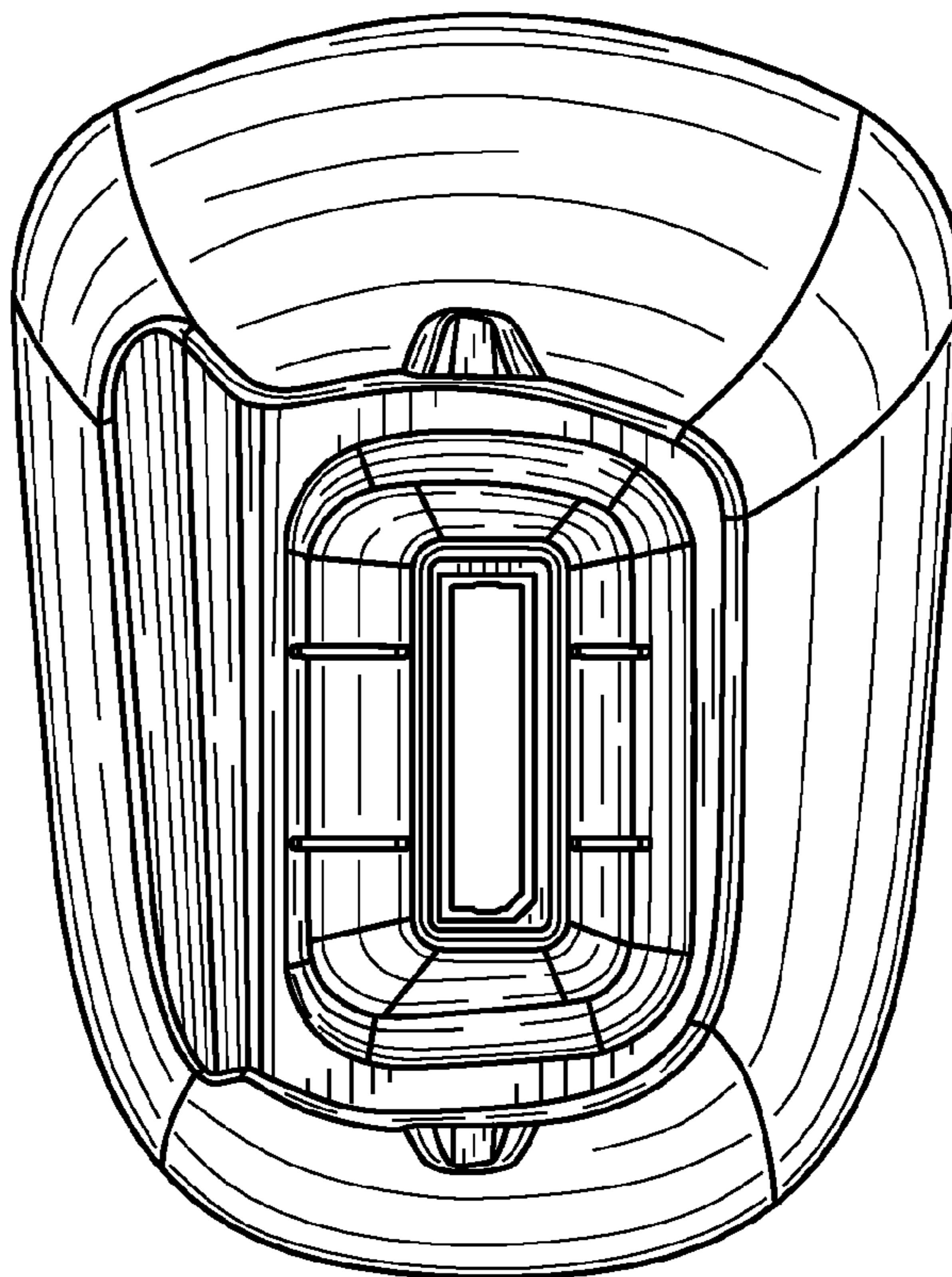


FIG. 6

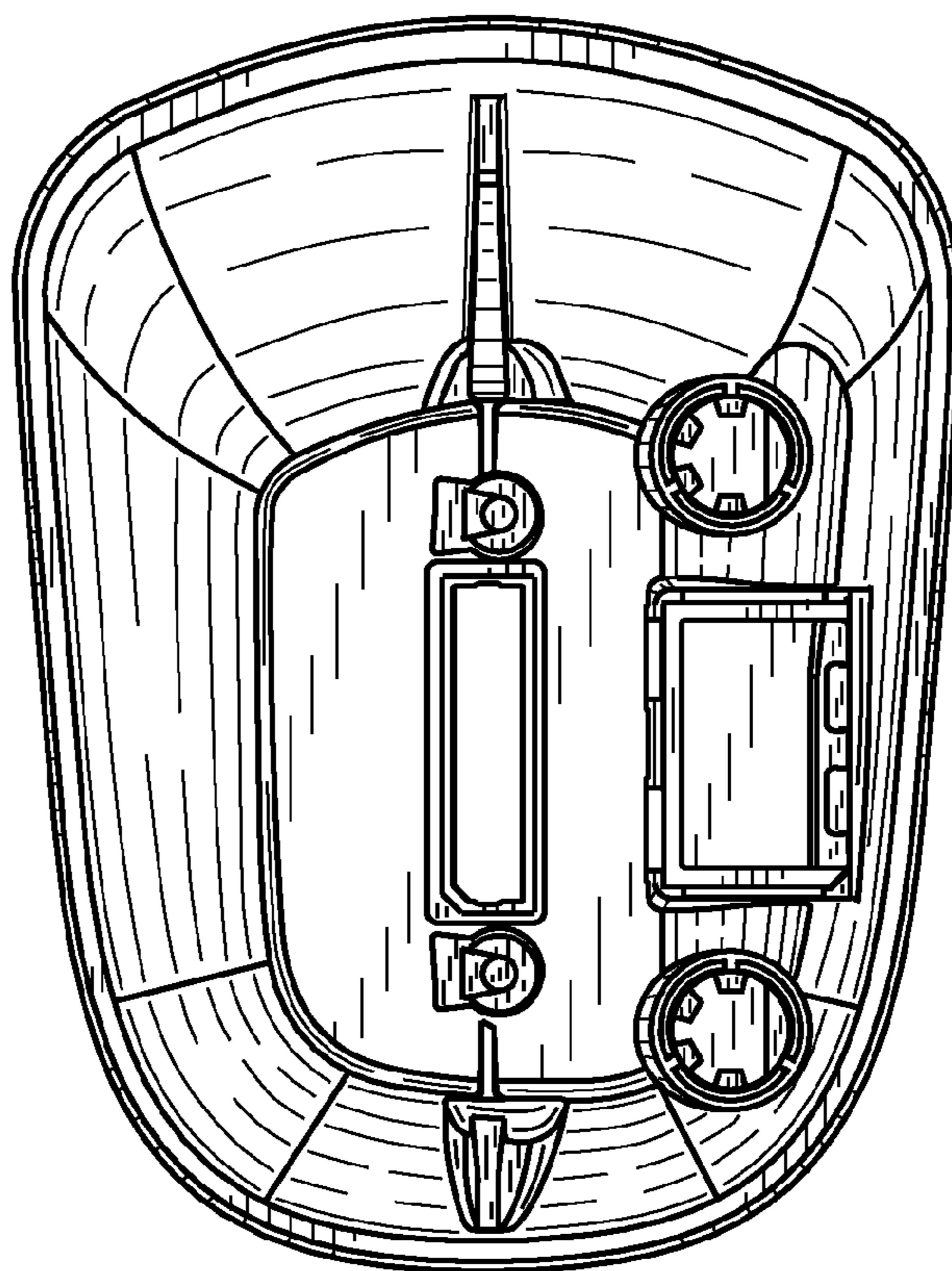


FIG. 7