



US00D562449S

(12) **United States Design Patent** (10) **Patent No.:** **US D562,449 S**
Schweikert (45) **Date of Patent:** **** Feb. 19, 2008**

(54) **CATHETER INFORMATION CLIP** D498,299 S 11/2004 Schweikert

(75) Inventor: **Timothy Schweikert**, Levittown, PA (US) (Continued)

FOREIGN PATENT DOCUMENTS

(73) Assignee: **Medical Components, Inc.**, Harleysville, PA (US) GB 2042131 9/1980

(**) Term: **14 Years**

Primary Examiner—Stella M. Reid
Assistant Examiner—Eric L. Goodman
(74) *Attorney, Agent, or Firm*—Anton P. Ness; Fox Rothschild LLP

(21) Appl. No.: **29/269,415**

(22) Filed: **Nov. 30, 2006**

(57) **CLAIM**

(51) **LOC (8) Cl.** **24-01**
(52) **U.S. Cl.** **D24/128**
(58) **Field of Classification Search** D24/127,
D24/128, 129, 133, 143; D8/394-396; D20/22;
40/299.01, 316, 666

The ornamental design for a catheter information clip, as shown and described.

See application file for complete search history.

DESCRIPTION

(56) **References Cited**

U.S. PATENT DOCUMENTS

1,580,649 A	4/1926	Christiansen	
3,068,600 A	12/1962	Blanchet	
4,256,132 A	3/1981	Gunter	
4,378,648 A	4/1983	Loof et al.	
4,429,852 A	2/1984	Tersteegen et al.	
D273,993 S *	5/1984	Schulte et al.	D24/128
4,497,124 A	2/1985	Olive	
4,775,121 A	10/1988	Carty	
4,876,810 A	10/1989	Piana et al.	
5,035,399 A	7/1991	Rantanen-Lee	
5,138,784 A	8/1992	Niwa	
5,203,056 A *	4/1993	Funk et al.	24/543
5,281,228 A	1/1994	Wolfson	
5,309,604 A	5/1994	Poulsen	
5,316,246 A	5/1994	Scott et al.	
5,407,109 A	4/1995	Zuckerman	
D381,367 S *	7/1997	Rashman	D20/22
5,950,883 A	9/1999	Bond et al.	
5,971,436 A *	10/1999	Cox	283/81
5,974,708 A *	11/1999	Webb et al.	40/316
6,089,527 A	7/2000	Utterberg	
D489,452 S *	5/2004	Schweikert	D24/128
D491,265 S *	6/2004	Schweikert	D24/128

FIG. 1 is an isometric view of a catheter information clip according to the present invention; a catheter and clamp are shown in broken lines for illustrative purposes only and form no part of the claimed design.

FIG. 2 is an isometric view of the catheter information clip shown in FIG. 1;

FIG. 3 is a front view of the catheter information clip shown in FIG. 1.

FIG. 4 is a rear view of the catheter information clip shown in FIG. 1.

FIG. 5 is a top view of the catheter information clip shown in FIG. 1.

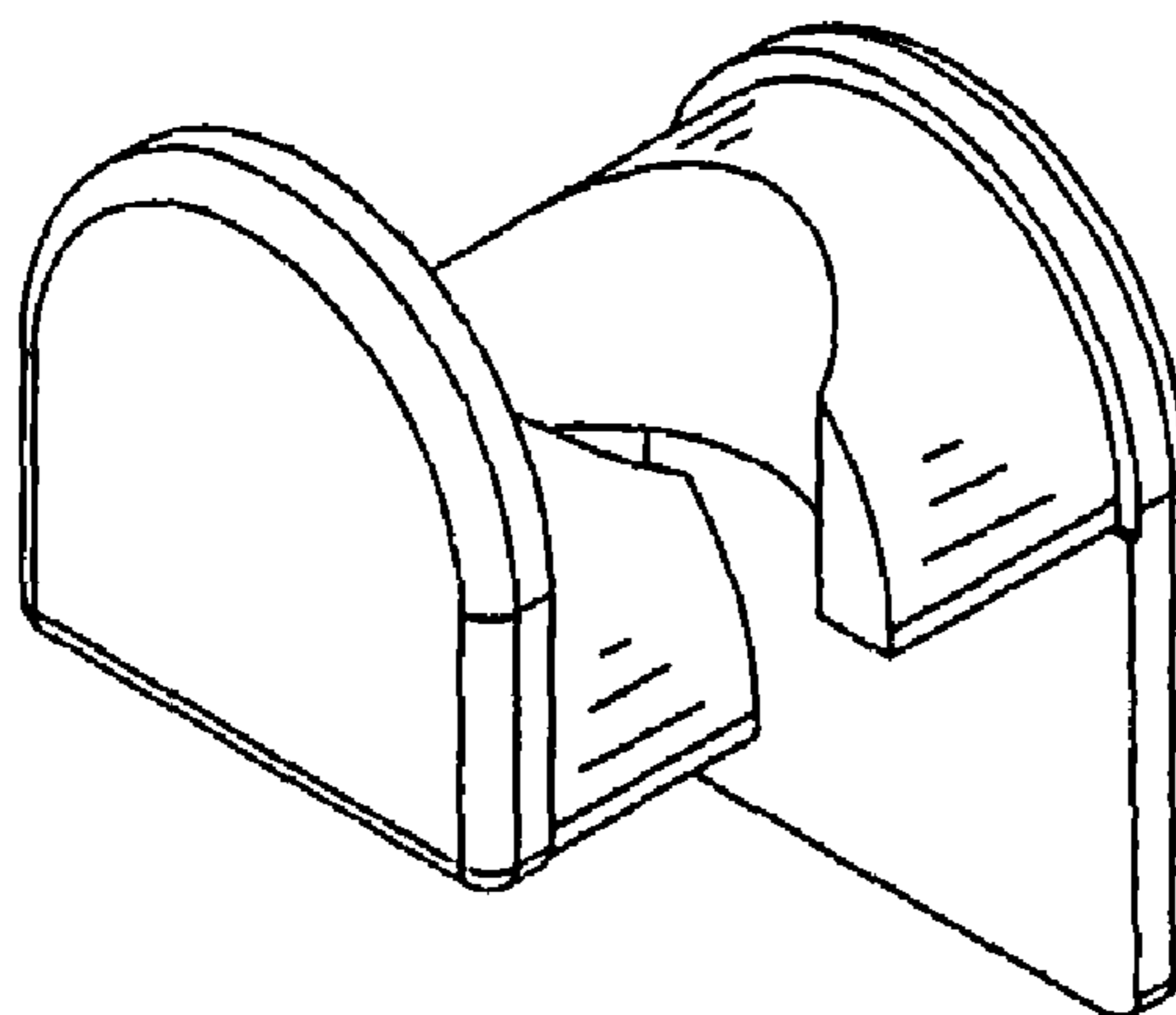
FIG. 6 is a bottom view of the catheter information clip shown in FIG. 1.

FIG. 7 is a proximal end view of the catheter information clip shown in FIG. 1; and,

FIG. 8 is a distal end view of the catheter information clip shown in FIG. 1.

A catheter and a catheter clamp thereon are shown in phantom in FIG. 1 and are not part of the invention claimed, and are shown to give meaning to the invention claimed.

1 Claim, 2 Drawing Sheets



US D562,449 S

Page 2

U.S. PATENT DOCUMENTS

6,823,617	B2	11/2004	Schweikert		
2003/0066218	A1*	4/2003	Schweikert	40/299.01
2003/0093932	A1*	5/2003	Battaglia	40/299.01
2004/0068902	A1	4/2004	Hadzic et al.		
2004/0159024	A1*	8/2004	Wortley et al.	40/316
2005/0044759	A1*	3/2005	Schweikert	40/299.01

* cited by examiner

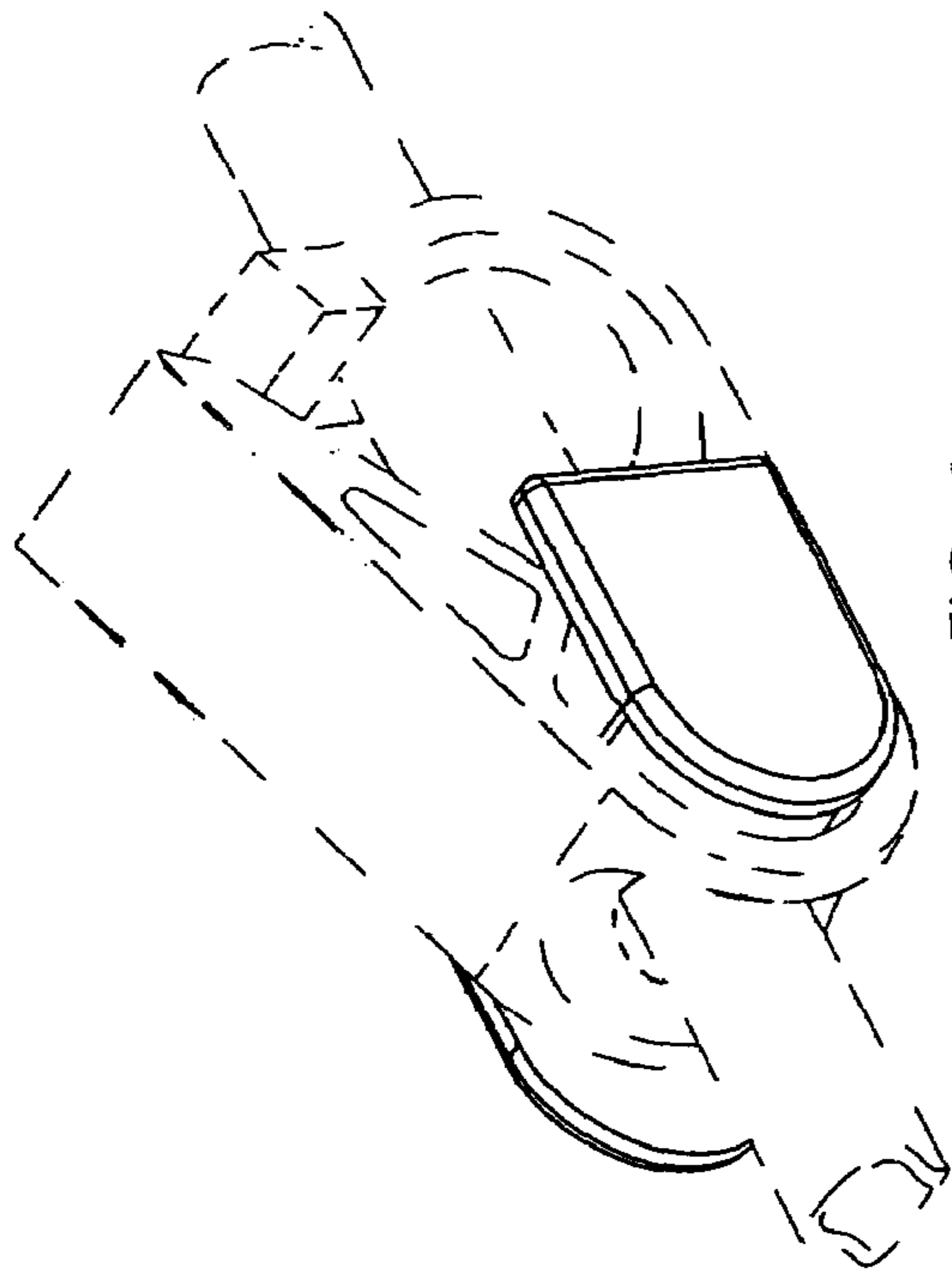


FIG. 1

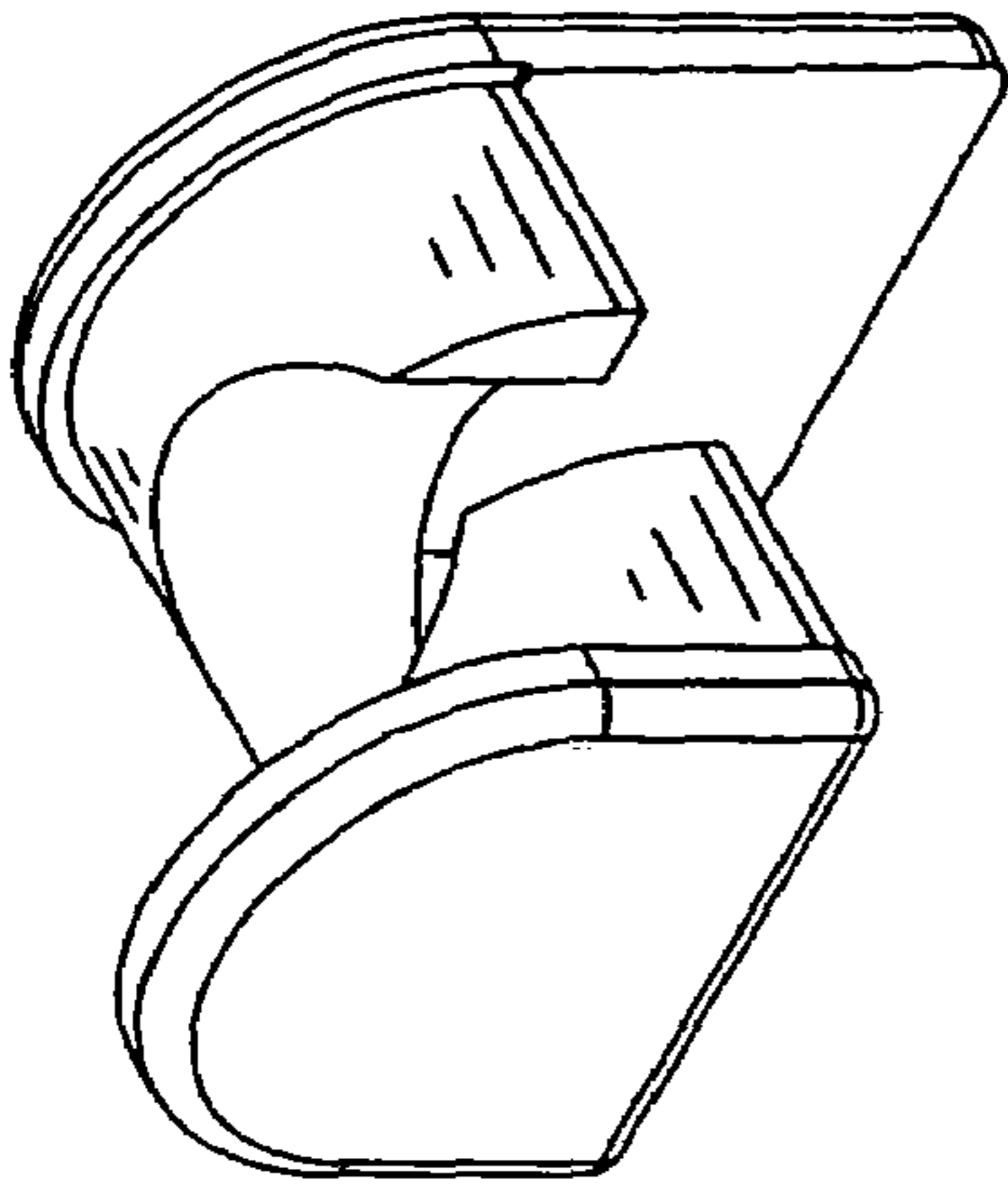


FIG. 2

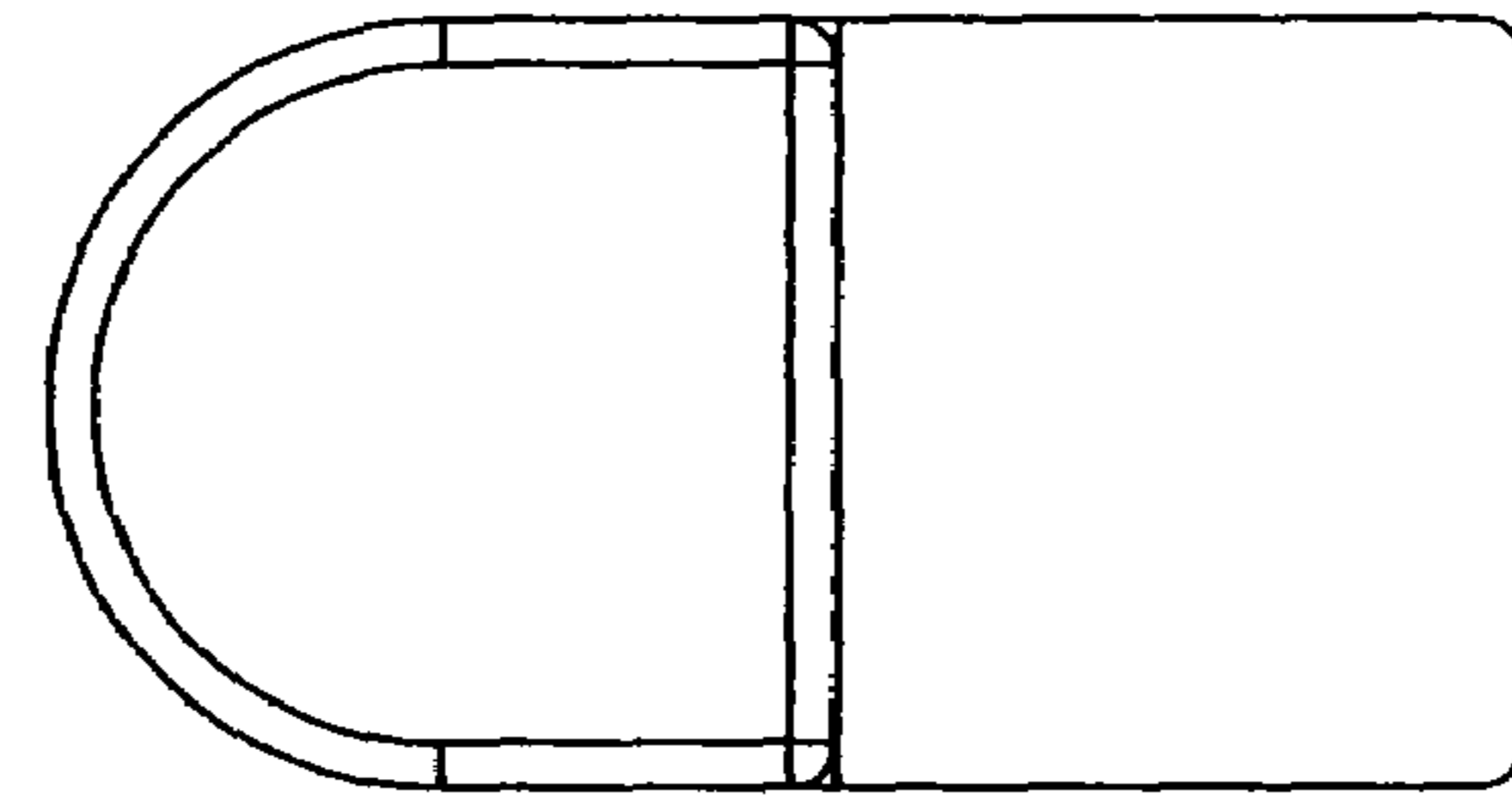


FIG. 3

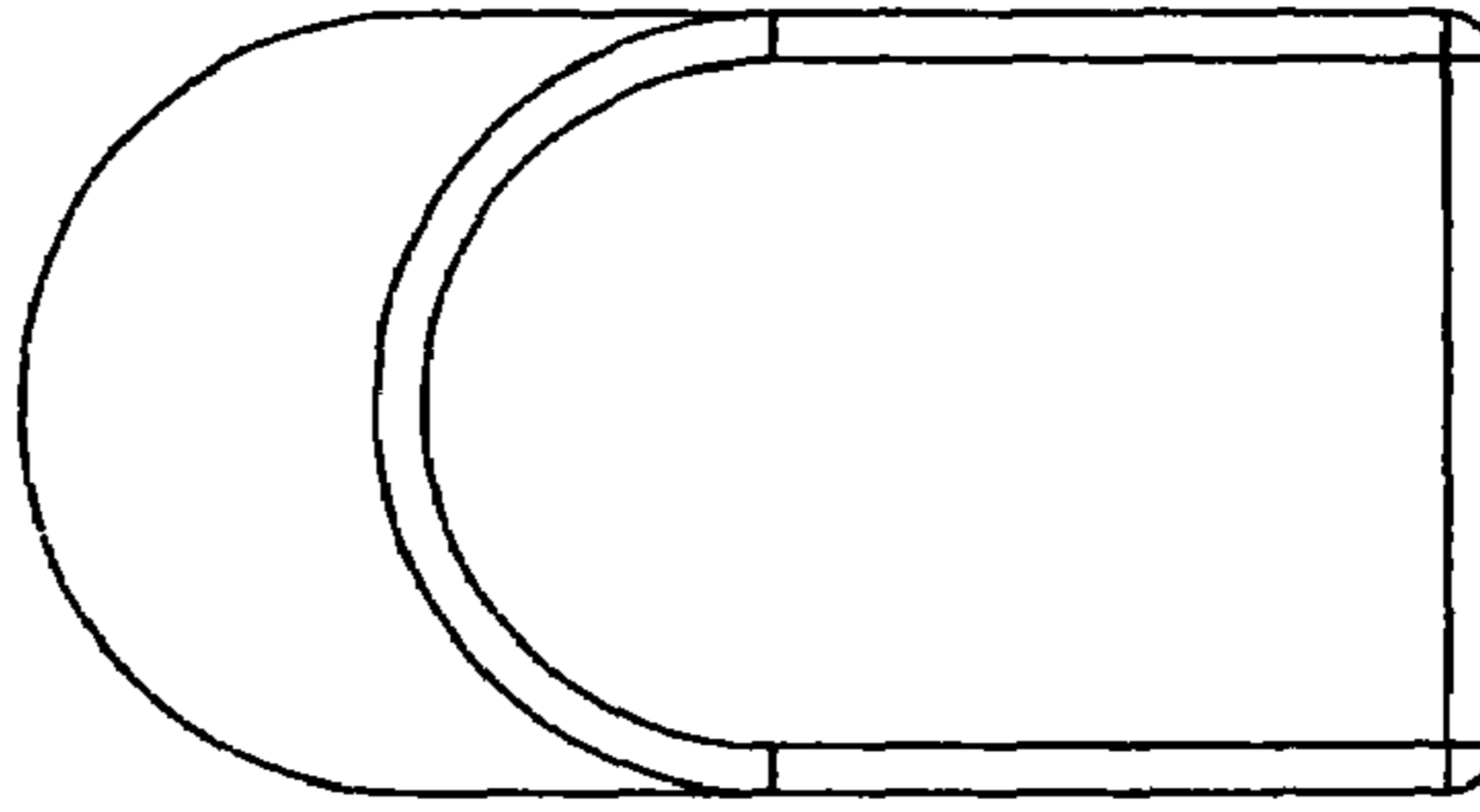


FIG. 4

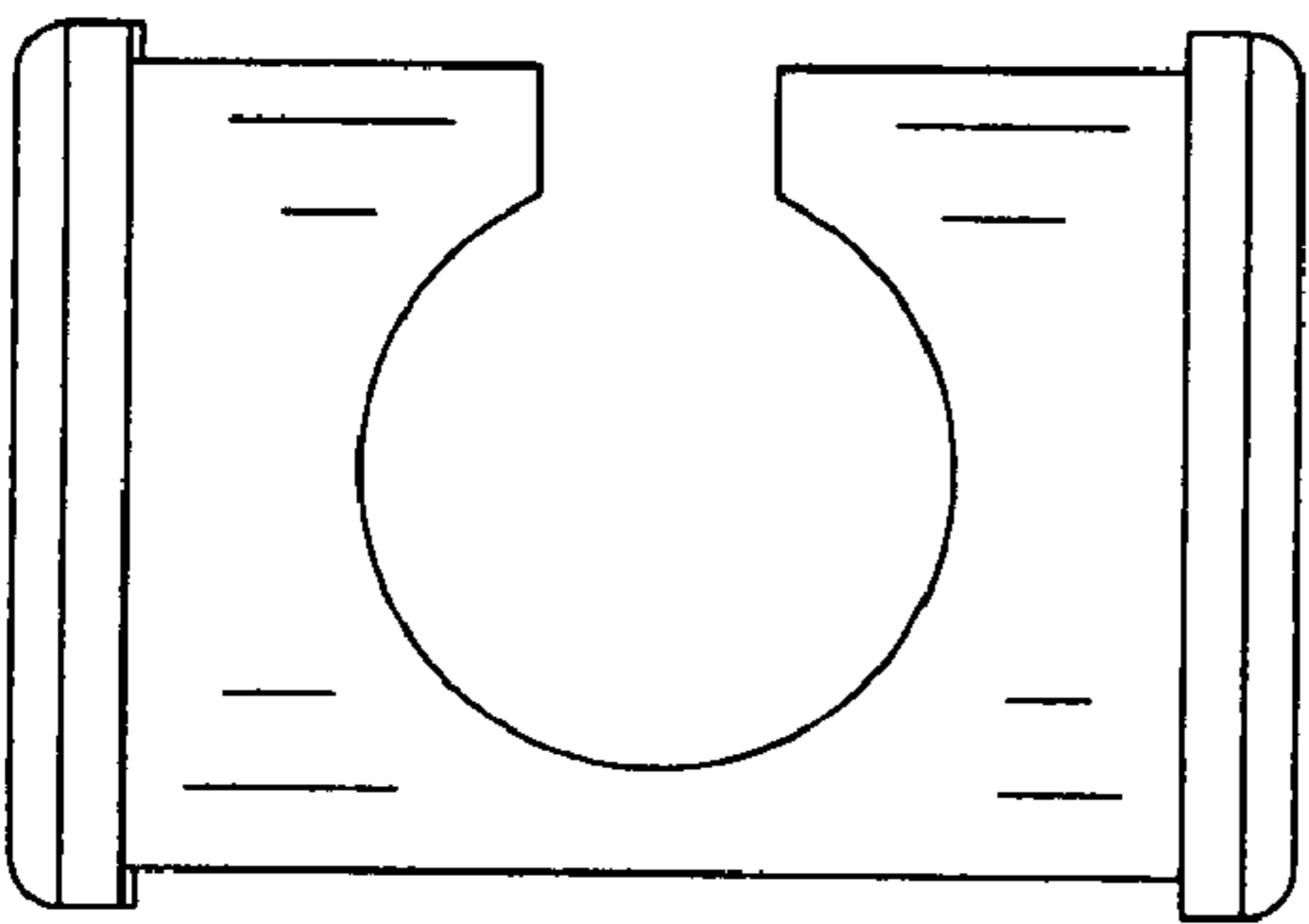


FIG. 5

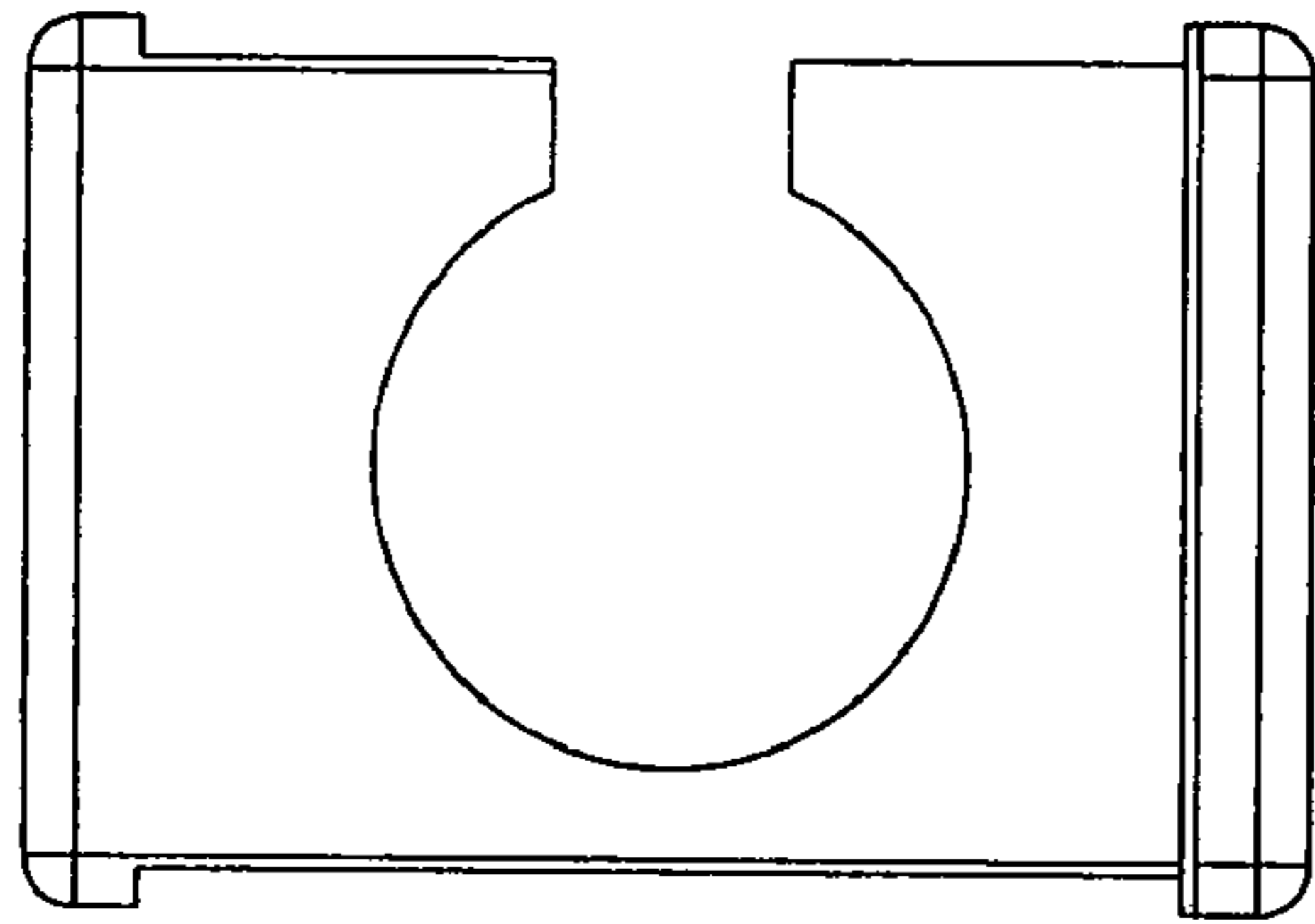


FIG. 6

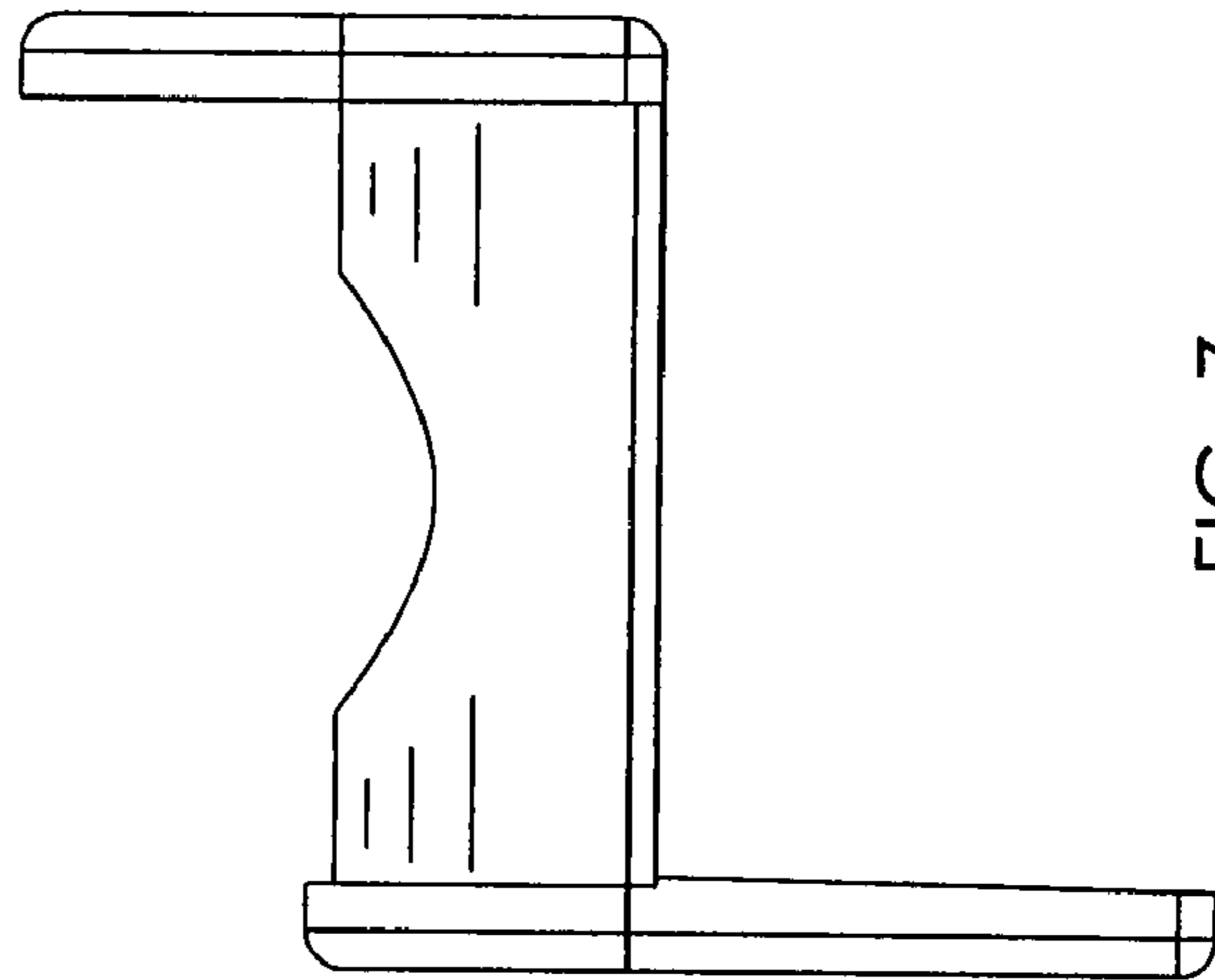


FIG. 7

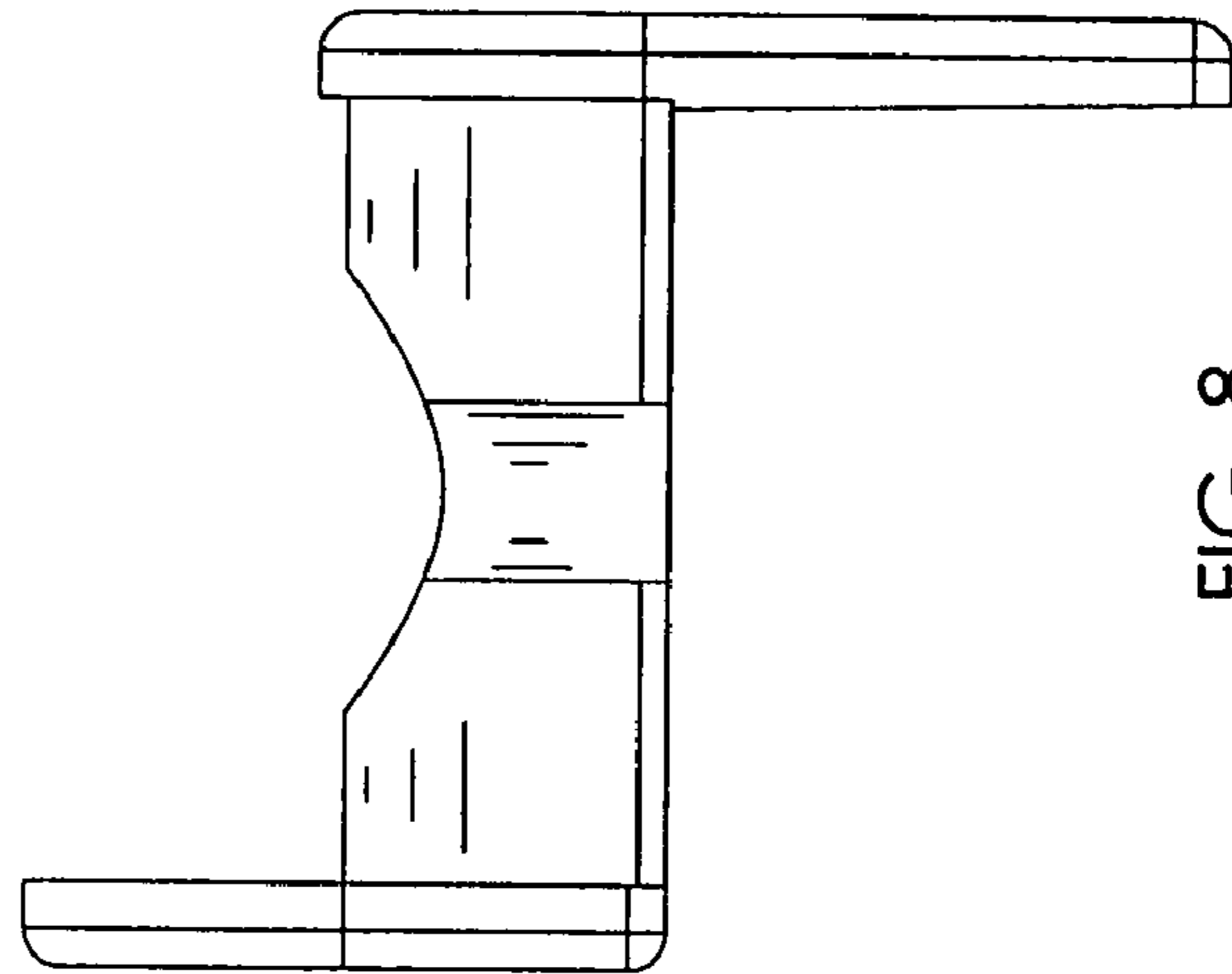


FIG. 8