



US00D562447S

(12) **United States Design Patent**
Call et al.

(10) **Patent No.:** **US D562,447 S**
(45) **Date of Patent:** **** Feb. 19, 2008**

- (54) **PORTION OF A SYRINGE**
- (75) Inventors: **Evan W. Call**, Bountiful, UT (US);
Edwin Lewis Pangman, West Jordan,
UT (US)
- (73) Assignee: **Physician Industries, Inc.**, West Valley
City, UT (US)
- (**) Term: **14 Years**
- (21) Appl. No.: **29/269,669**
- (22) Filed: **Dec. 6, 2006**

Related U.S. Application Data

- (63) Continuation-in-part of application No. 10/769,634,
filed on Jan. 30, 2004.

- (51) **LOC (8) Cl.** **24-02**
- (52) **U.S. Cl.** **D24/114**
- (58) **Field of Classification Search** D24/114,
D24/112, 133, 113, 186, 104, 130; 606/181,
606/185; 604/232, 187
See application file for complete search history.

(56) **References Cited**

U.S. PATENT DOCUMENTS

3,625,793 A	12/1971	Sheridan	
3,878,830 A	4/1975	Bicher	
RE30,365 E	8/1980	Mattler	
4,370,982 A	2/1983	Reilly	
4,439,185 A	3/1984	Lundquist	
4,583,974 A	4/1986	Kokernak	
4,651,738 A	3/1987	Demer et al.	
4,655,749 A	4/1987	Fischione	
4,710,179 A	12/1987	Haber et al.	
4,723,938 A	2/1988	Goodin et al.	
4,740,203 A	4/1988	Hoskins et al.	
4,758,223 A	7/1988	Rydell	
4,810,249 A	3/1989	Haber et al.	
4,815,313 A	3/1989	Beard	
4,832,692 A	5/1989	Box et al.	
D301,614 S *	6/1989	Kozak et al.	D24/130
4,873,986 A	10/1989	Wallace	

D306,069 S *	2/1990	Kelly et al.	D24/114
4,919,121 A	4/1990	Rydell et al.	
4,940,459 A	7/1990	Noce	
4,951,677 A	8/1990	Crowley et al.	
5,019,041 A	5/1991	Robinson et al.	
5,047,015 A	9/1991	Foote et al.	
D321,053 S *	10/1991	Baum	D24/114
5,057,078 A	10/1991	Foote et al.	
5,084,060 A	1/1992	Freund et al.	
D325,437 S *	4/1992	Hull	D24/114
5,104,386 A *	4/1992	Alzain	604/232
5,137,514 A	8/1992	Ryan	
5,147,300 A	9/1992	Robinson et al.	
5,168,757 A	12/1992	Rabenau et al.	
5,201,753 A	4/1993	Lampropoulos et al.	
5,209,732 A	5/1993	Lampropoulos et al.	
5,213,115 A	5/1993	Zytkowicz et al.	
5,246,011 A	9/1993	Caillouette	
5,273,537 A	12/1993	Haskvitz et al.	

(Continued)

Primary Examiner—Ian Simmons
Assistant Examiner—David G Muller
(74) *Attorney, Agent, or Firm*—TraskBritt, P.C.

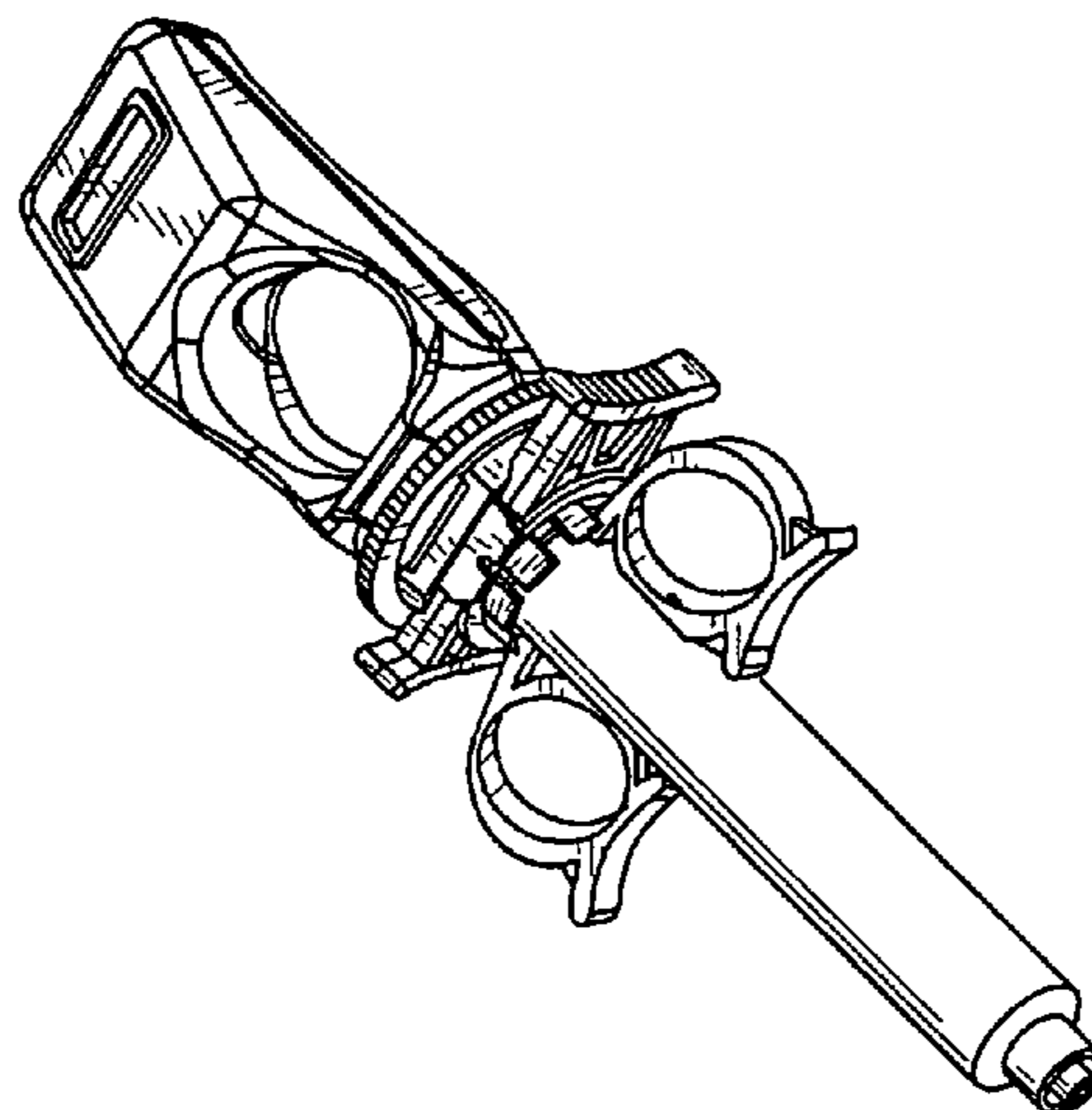
(57) **CLAIM**

The ornamental design for a portion of a syringe, as shown and described.

DESCRIPTION

FIG. 1 is a perspective view of a portion of a syringe showing our new design;
FIG. 2 is a side view of the portion of a syringe shown in FIG. 1; and
FIG. 3 is a bottom view of the portion of a syringe shown in FIG. 1; and,
FIG. 4 is a perspective view of an alternative embodiment of the portion of a syringe shown in FIG. 1 wherein the barrel portion of the syringe is transparent.

1 Claim, 2 Drawing Sheets



US D562,447 S

U.S. PATENT DOCUMENTS				
		5,728,064 A	3/1998	Burns et al.
5,383,855 A	1/1995	5,741,229 A	4/1998	Robinson et al.
5,385,549 A	1/1995	5,749,853 A	5/1998	O'Donnell et al.
5,387,194 A	2/1995	5,752,935 A	5/1998	Robinson et al.
5,403,274 A	4/1995	5,785,685 A	7/1998	Kugler et al.
5,425,713 A	6/1995	5,808,203 A	9/1998	Nolan, Jr. et al.
5,429,606 A	7/1995	5,860,955 A	1/1999	Wright et al.
5,431,629 A	7/1995	5,891,089 A	4/1999	Katz et al.
5,433,707 A	7/1995	5,951,517 A	9/1999	Lampropoulos et al.
5,449,344 A	9/1995	5,968,017 A	10/1999	Lampropoulos et al.
5,449,345 A	9/1995	5,985,962 A *	11/1999	Knors et al. 604/187
5,453,091 A	9/1995	6,139,523 A	10/2000	Taylor et al.
5,458,571 A	10/1995	6,179,815 B1	1/2001	Foote
5,459,700 A	10/1995	6,190,354 B1	2/2001	Sell et al.
5,460,609 A	10/1995	D440,657 S *	4/2001	Wilkinson et al. D24/130
5,472,424 A	12/1995	6,224,561 B1	5/2001	Swendson et al.
5,489,256 A	2/1996	6,245,043 B1	6/2001	Villette
D370,974 S *	6/1996	6,394,977 B1	5/2002	Taylor et al.
5,545,133 A	8/1996	D460,820 S *	7/2002	Niedospial, Jr. D24/130
5,562,614 A	10/1996	6,792,306 B2	9/2004	Henley et al.
5,599,301 A	2/1997	D536,787 S *	2/2007	Rehbein et al. D24/133
5,625,144 A	4/1997	2003/0216692 A1	11/2003	Fago et al.
5,647,847 A	7/1997	2004/0024361 A1	2/2004	Fago et al.
5,651,372 A *	7/1997	2006/0116645 A1 *	6/2006	Whitfield et al. 604/187
5,685,848 A	11/1997	2006/0264964 A1 *	11/2006	Scifert et al. 604/187
5,695,468 A	12/1997			
5,704,913 A	1/1998			

* cited by examiner

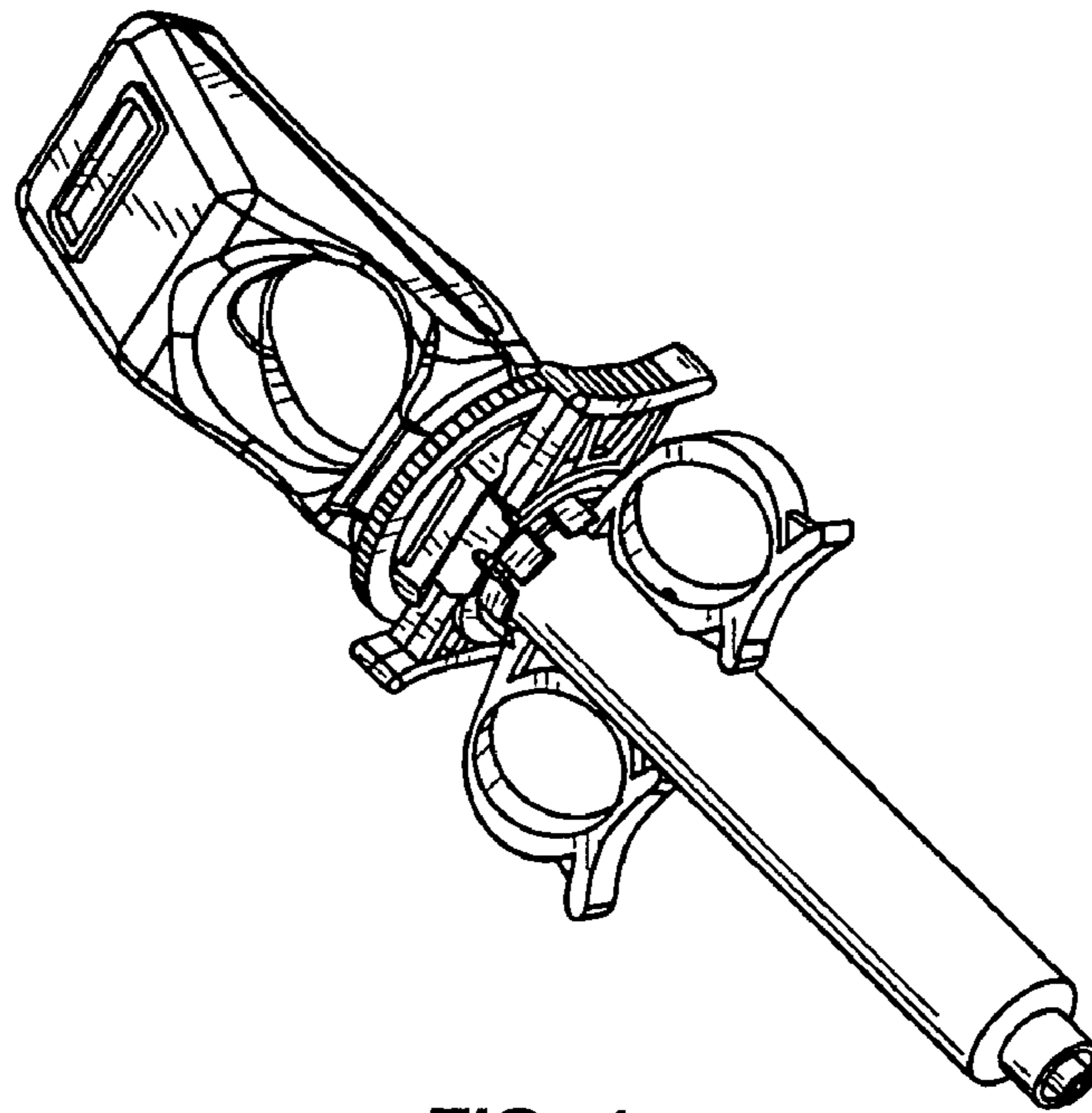


FIG. 1

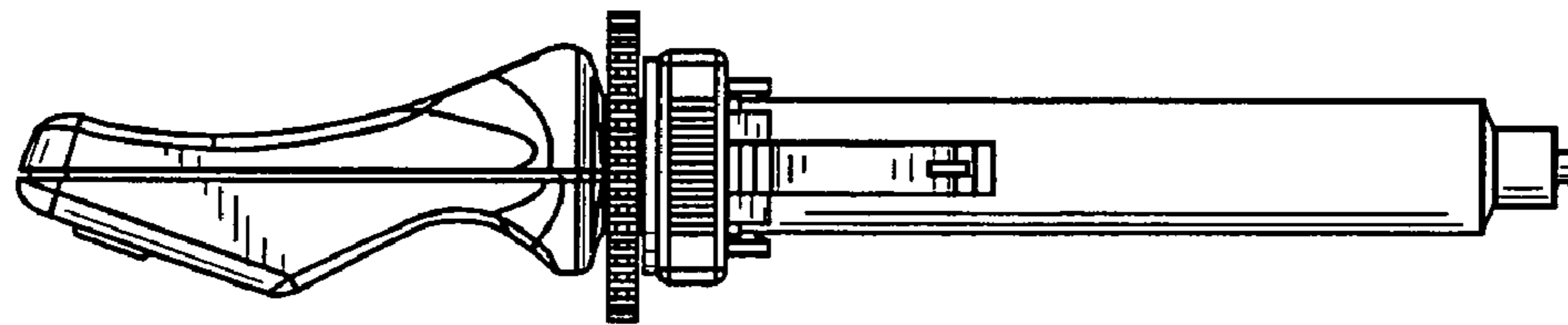


FIG. 2

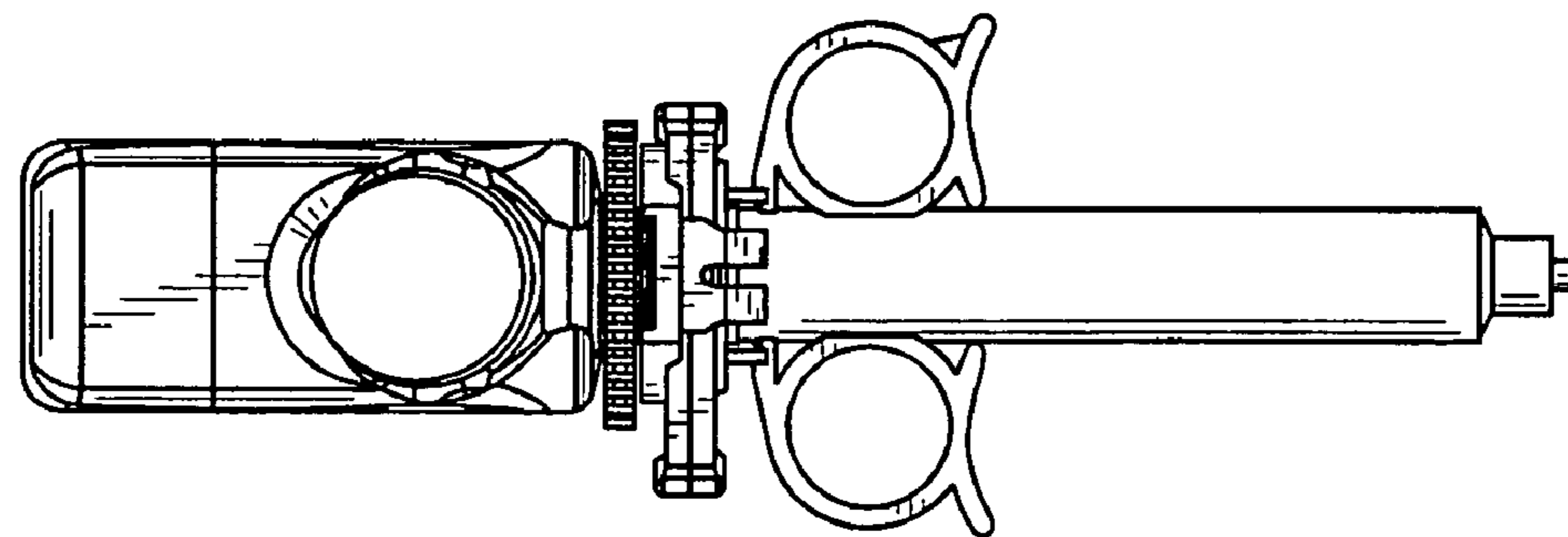


FIG. 3

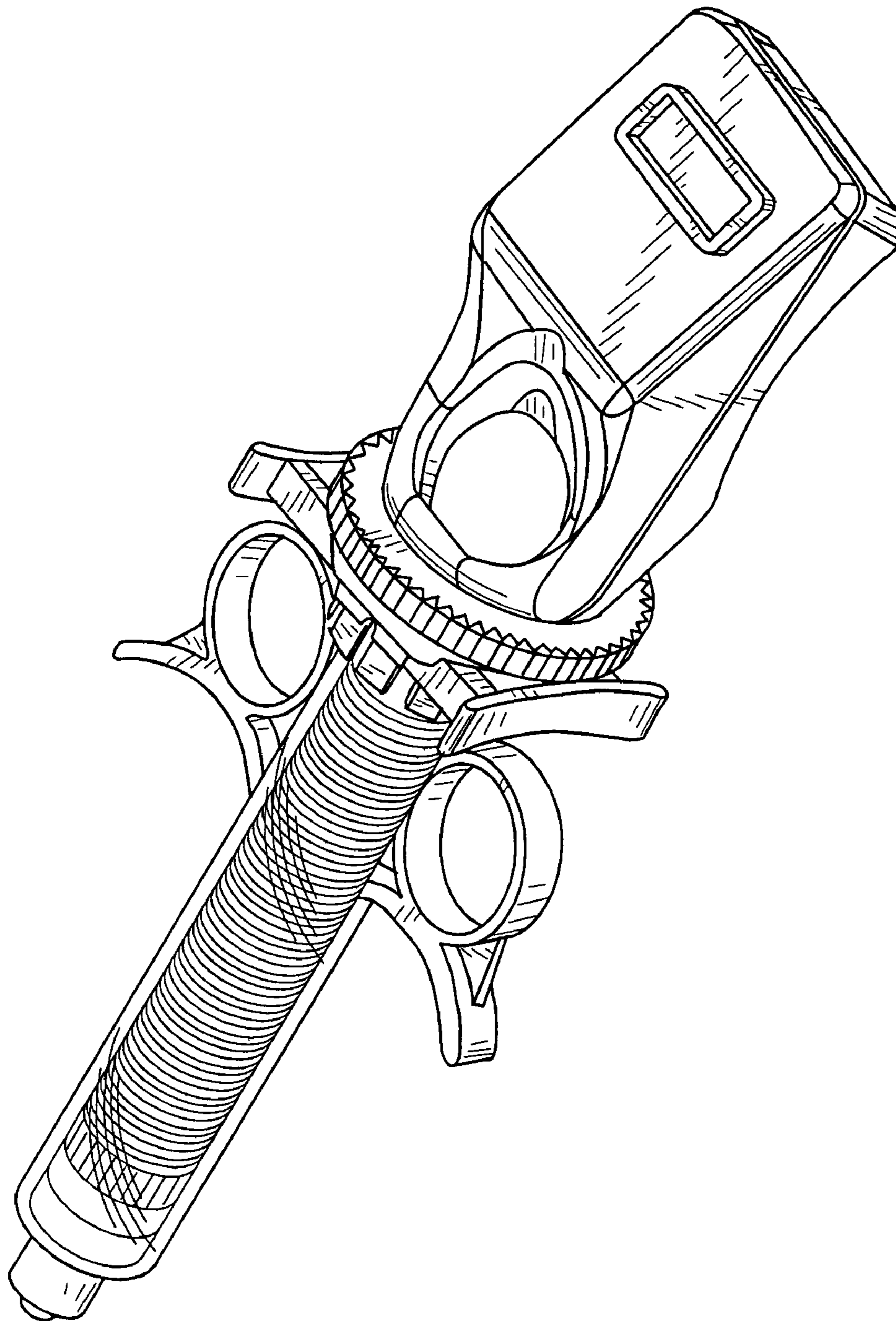


FIG. 4