



US00D562446S

(12) **United States Design Patent**
Chu et al.

(10) **Patent No.:** **US D562,446 S**
(45) **Date of Patent:** **** Feb. 19, 2008**

(54) **PORTION OF AN ADJUSTABLE FOREHEAD SUPPORT DIAL FOR A RESPIRATORY MASK**

4,182,458 A 1/1980 Meckler
5,803,285 A 9/1998 Hirota
6,532,961 B1 3/2003 Kwok et al.
D493,522 S 7/2004 Fu et al.
D515,698 S 2/2006 Lang et al.

(75) Inventors: **Vincent Chu**, Little Bay (AU); **Eva Ng**, Double Bay (AU); **Scott Alexander Howard**, Harbord (AU); **Murray William Lee**, Quakers Hill (AU)

OTHER PUBLICATIONS

U.S. Appl. No. 29/251,707, filed Jan. 12, 2006, Chu et al.

(73) Assignee: **ResMed Limited**, Bella Vista (AU)

Primary Examiner—Ian Simmons

Assistant Examiner—Christopher Lee

(**) Term: **14 Years**

(74) *Attorney, Agent, or Firm*—Nixon & Vanderhye P.C.

(21) Appl. No.: **29/273,859**

(57) **CLAIM**

(22) Filed: **Mar. 15, 2007**

The ornamental design for a portion of an adjustable forehead support dial for a respiratory mask, as shown and described.

Related U.S. Application Data

DESCRIPTION

(63) Continuation of application No. 29/251,707, filed on Jan. 12, 2006, now Pat. No. Des. 543,620.

FIG. 1 is a front perspective view of a portion of an adjustable forehead support dial for a respiratory mask according to our design;

(51) **LOC (8) Cl.** **29-02**

(52) **U.S. Cl.** **D24/110.1; D24/110.4; D24/110.5**

FIG. 2 is a front view thereof;

(58) **Field of Classification Search** D24/110, D24/110.1–110.6; D9/439, 440, 503, 544; 128/205.25, 206.21, 206.26, 206.27, 207.11, 128/207.13, 207.15; 215/307, 296
See application file for complete search history.

FIG. 3 is a rear view thereof; and,

FIG. 4 is a side view thereof.

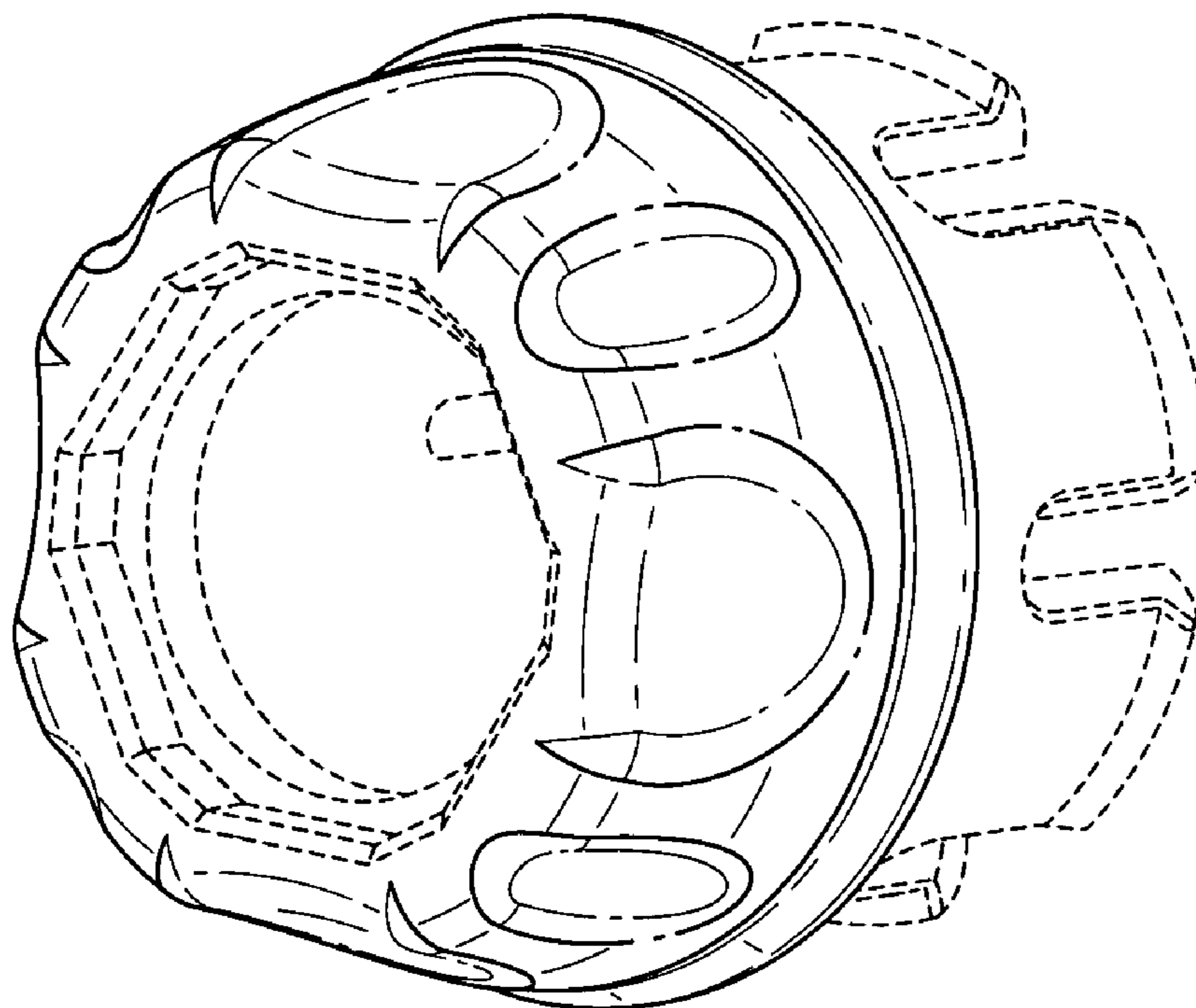
Where included, broken lines showing environment or structure are for illustrative purposes only and form no part of the claimed design. Where included, dotted lines represent the border between claimed and non-claimed subject matter and form no part of the claimed design.

(56) **References Cited**

U.S. PATENT DOCUMENTS

D188,471 S 7/1960 Terwilliger

1 Claim, 3 Drawing Sheets



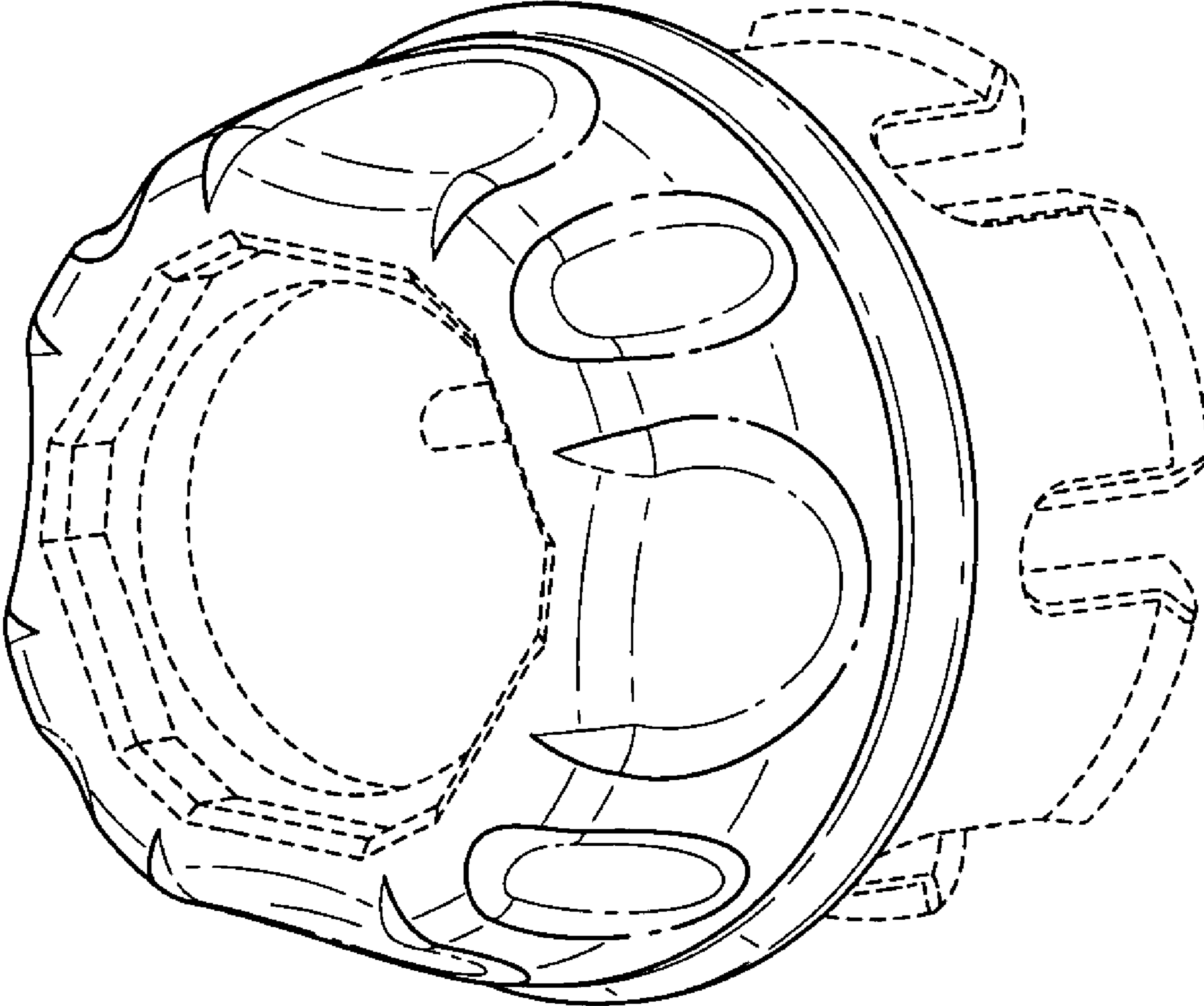


Fig. 1

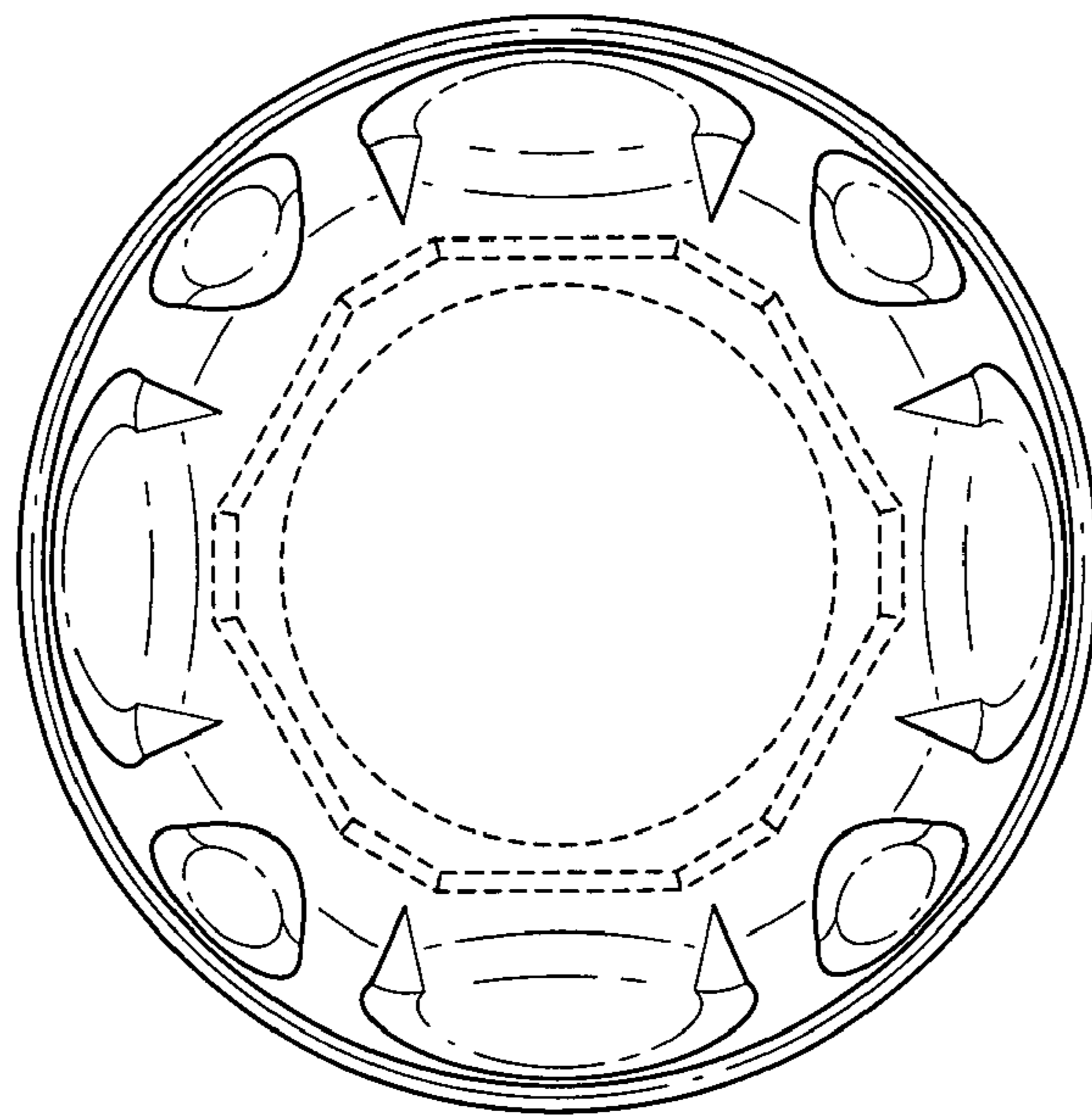


Fig. 2

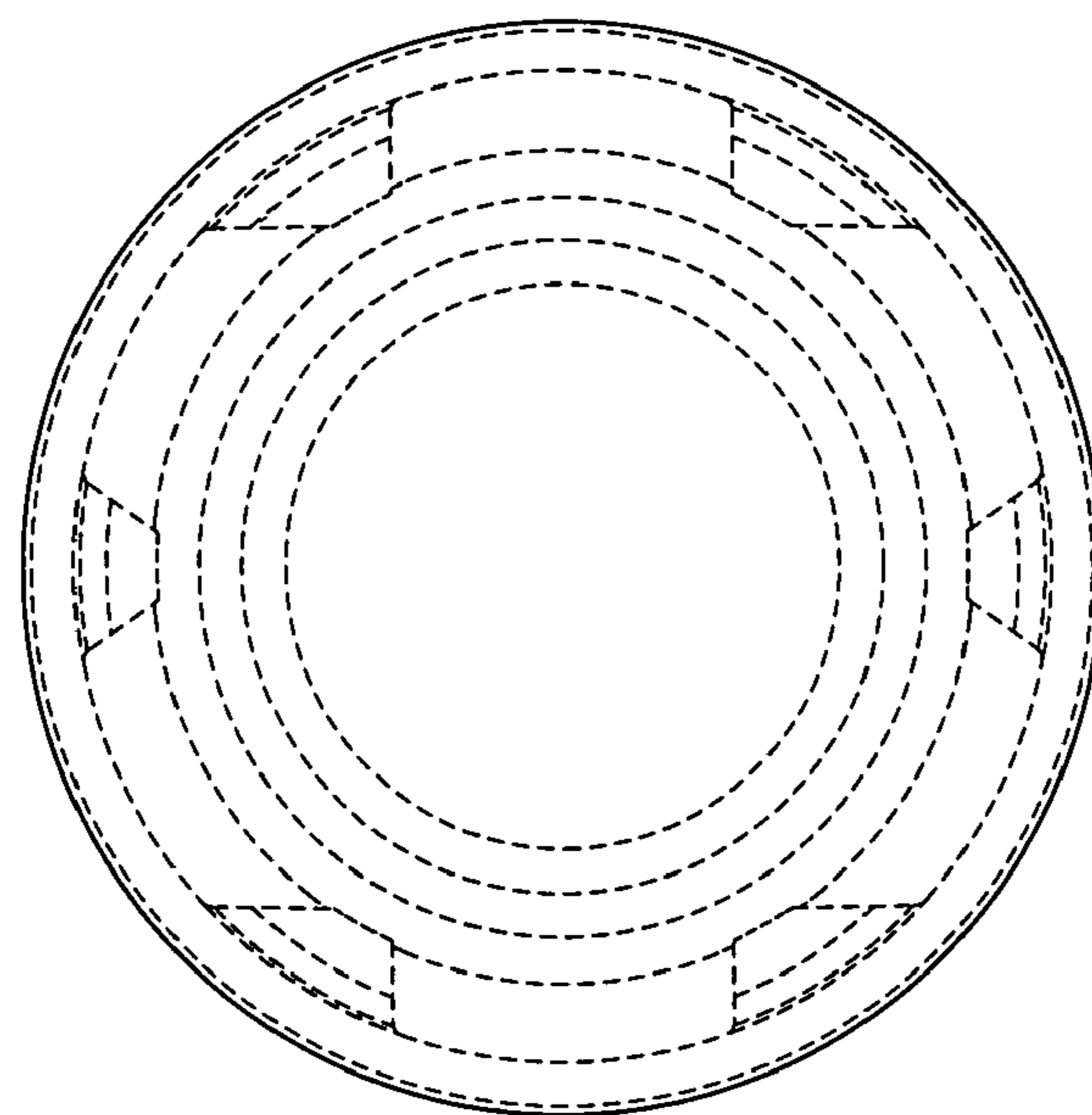


Fig. 3

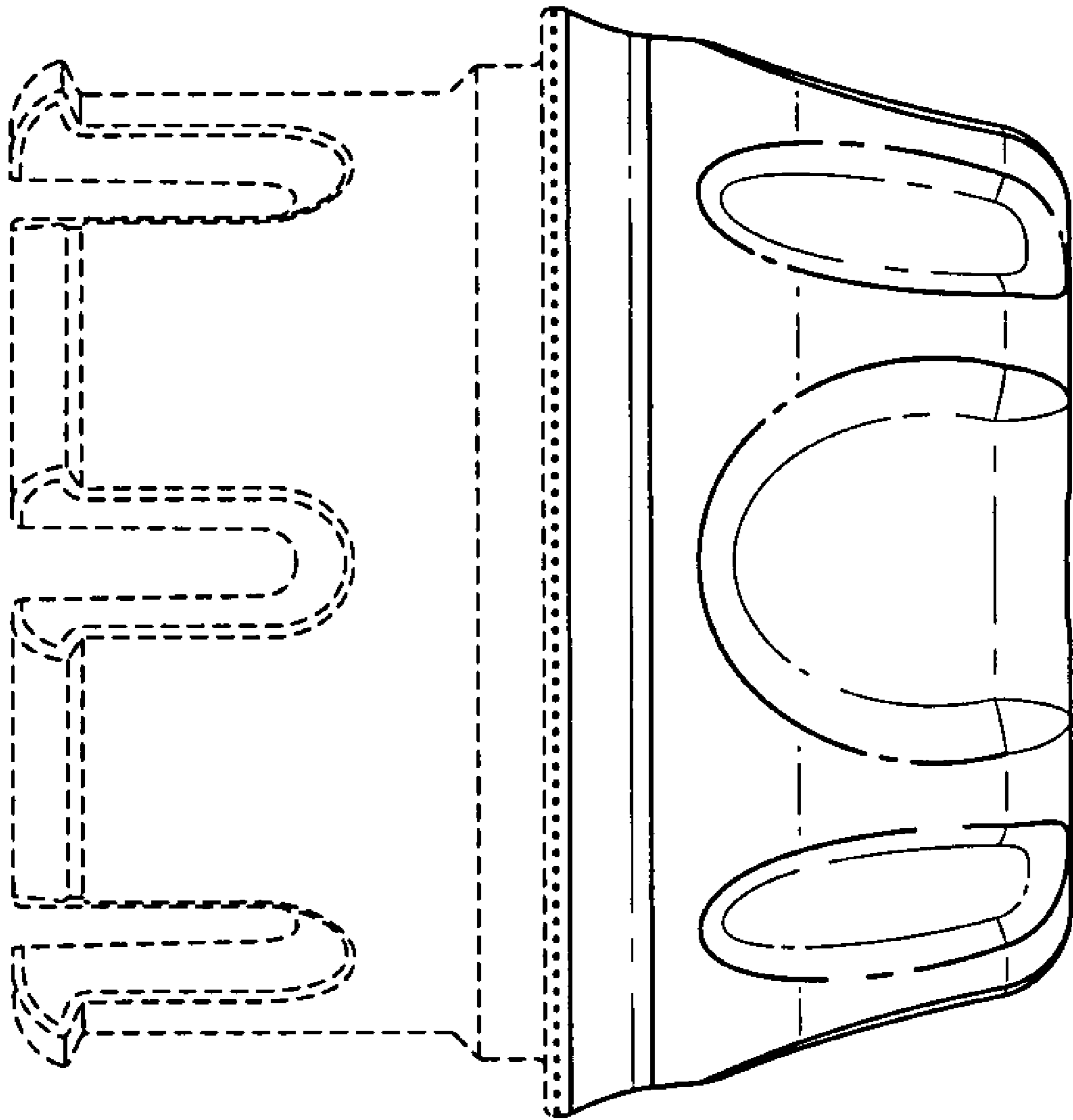


Fig. 4