



US00D562445S

(12) **United States Design Patent** (10) **Patent No.:** **US D562,445 S**
McAuliffe et al. (45) **Date of Patent:** **** Feb. 19, 2008**

(54) **FOREHEAD SUPPORT FOR MASK**

(75) Inventors: **Patrick John McAuliffe**, Chatswood (AU); **John Michael Snow**, Cremorne (AU); **Philip Thomas Stallard**, Denistone East (AU)

(73) Assignee: **ResMed Limited**, Bella Vista (AU)

(**) Term: **14 Years**

(21) Appl. No.: **29/271,760**

(22) Filed: **Jan. 26, 2007**

D486,227 S 2/2004 Fu et al.
D486,907 S 2/2004 Guney et al.
6,691,707 B1 2/2004 Gunaratnam et al.
D487,510 S 3/2004 Guney et al.
D490,343 S 5/2004 Guney et al.
D492,992 S 7/2004 Guney et al.
D493,522 S 7/2004 Fu
D494,675 S 8/2004 Guney et al.
D496,098 S 9/2004 Guney et al.
D496,726 S 9/2004 Amarasinghe et al.
D502,260 S 2/2005 Lang
2003/0034034 A1 2/2003 Kwok et al.
2003/0089373 A1 5/2003 Gradon
2004/0112387 A1 6/2004 Lang et al.
2005/0011522 A1 1/2005 Ho

Related U.S. Application Data

(62) Division of application No. 29/229,134, filed on May 4, 2005, now Pat. No. Des. 539,901.

(51) **LOC (8) Cl.** **29-02**

(52) **U.S. Cl.** **D24/110.1; D24/110.4; D24/110.5**

(58) **Field of Classification Search** D24/110.1, D24/110.4, 110.5; 128/206.12, 206.21, 206.26, 128/207.11, 205.25
See application file for complete search history.

(56) **References Cited**

U.S. PATENT DOCUMENTS

D402,755 S 12/1998 Kwok
D423,096 S 4/2000 Kwok
D428,139 S 7/2000 Smart
D428,987 S 8/2000 Kwok
D428,988 S 8/2000 Smart
D430,663 S 9/2000 Smart
D435,650 S 12/2000 Kwok
D443,355 S 6/2001 Gunaratnam et al.
6,374,826 B1 4/2002 Gunaratnam et al.
6,412,487 B1 7/2002 Gunaratnam et al.
6,439,230 B1 8/2002 Gunaratnam et al.
6,532,961 B1 3/2003 Kwok et al.
D484,237 S 12/2003 Lang
D486,226 S 2/2004 Guney et al.

OTHER PUBLICATIONS

Parent U.S. Appl. No. 29/229,124, filed May 4, 2005.

Primary Examiner—Ian Simmons

Assistant Examiner—Christopher Lee

(74) *Attorney, Agent, or Firm*—Nixon & Vanderhye P.C.

(57) **CLAIM**

The ornamental design for a forehead support for a mask, as shown and described.

DESCRIPTION

FIG. 1 is a perspective view of a forehead support for a mask according to an embodiment of the design;

FIG. 2 is a front view thereof;

FIG. 3 is a rear view thereof;

FIG. 4 is a right side view thereof;

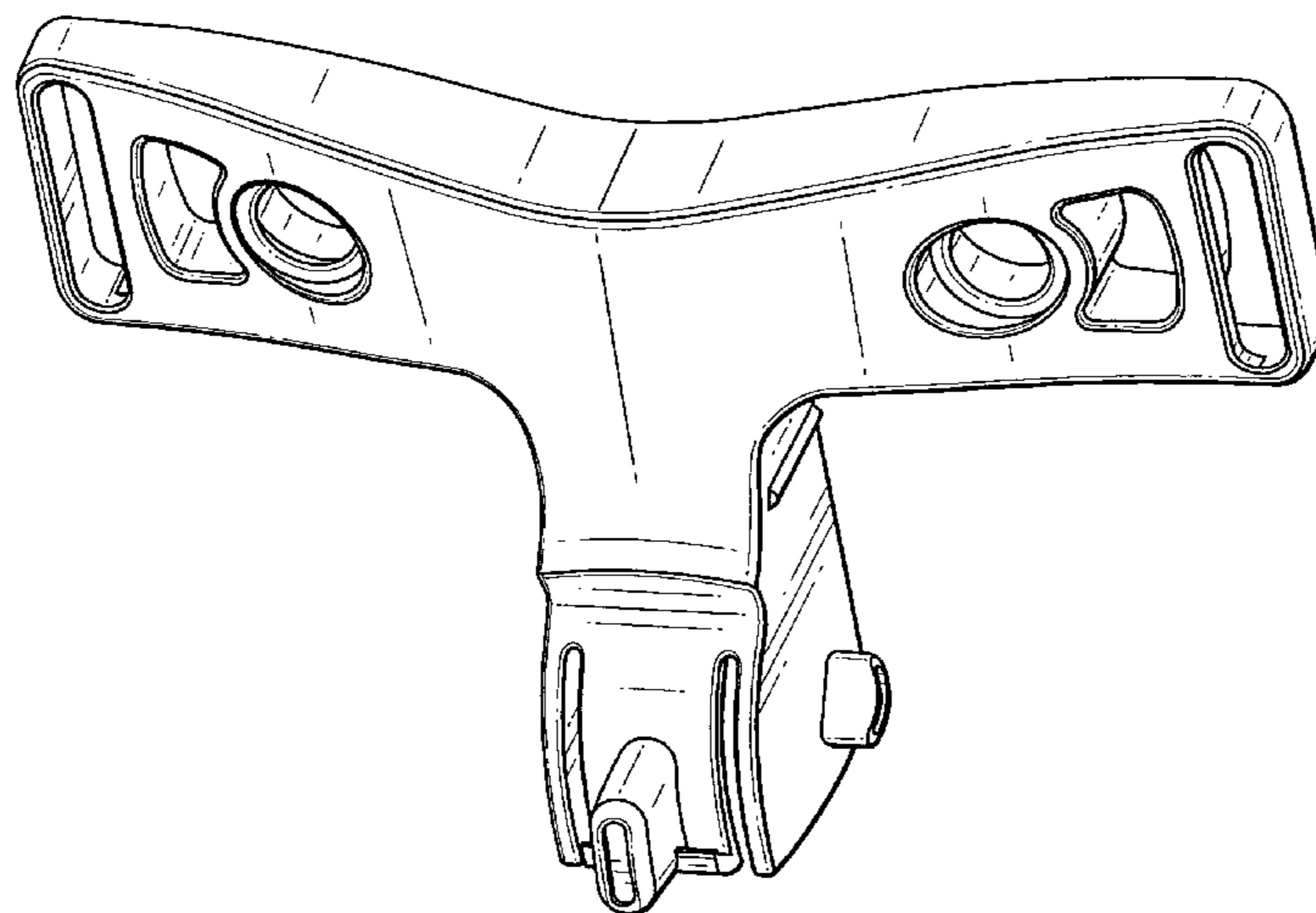
FIG. 5 is a left side view thereof;

FIG. 6 is a top view thereof; and,

FIG. 7 is a bottom view thereof.

The broken line disclosure is intended to depict environmental structure and forms no part of the claimed design.

1 Claim, 6 Drawing Sheets



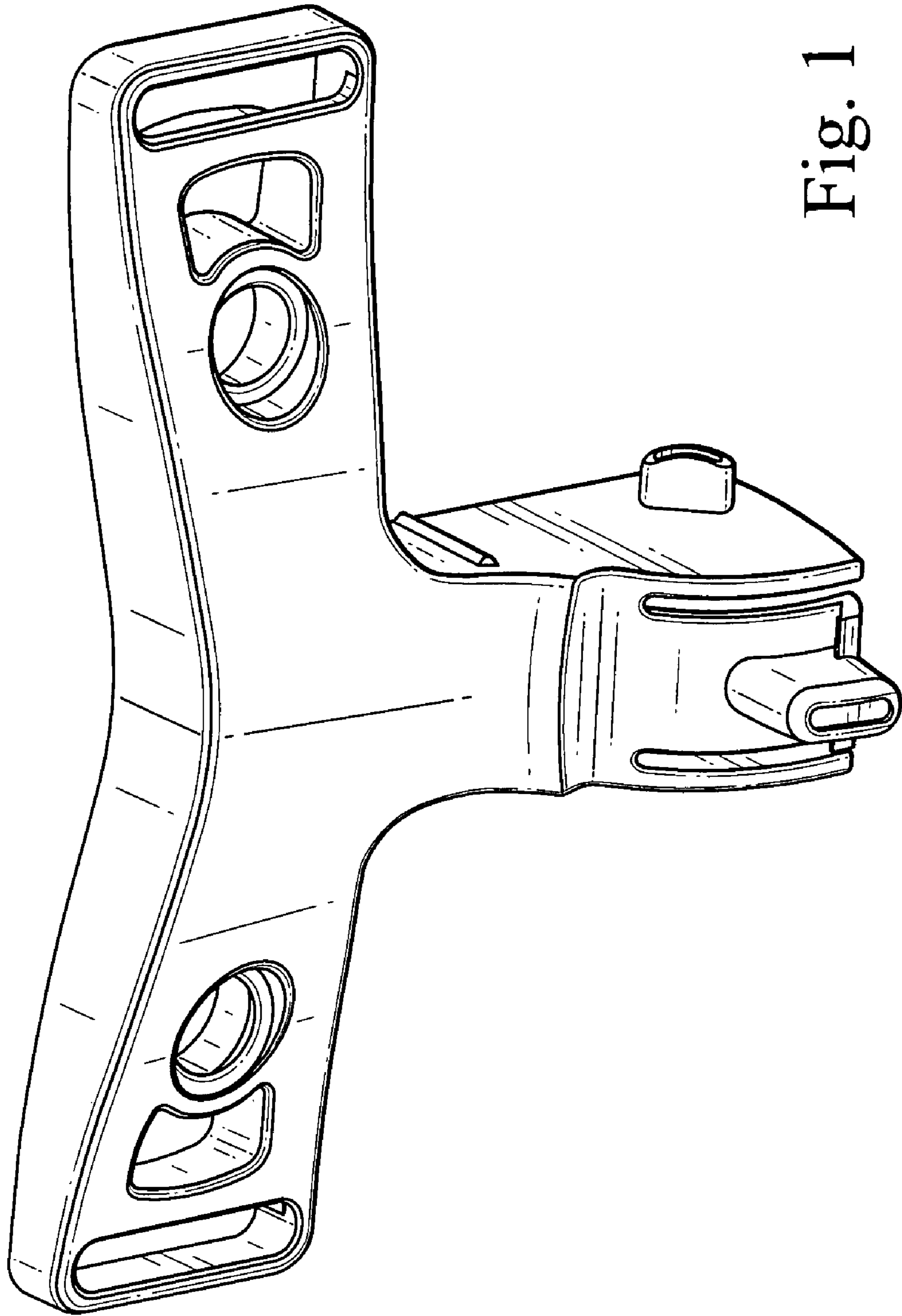


Fig. 1

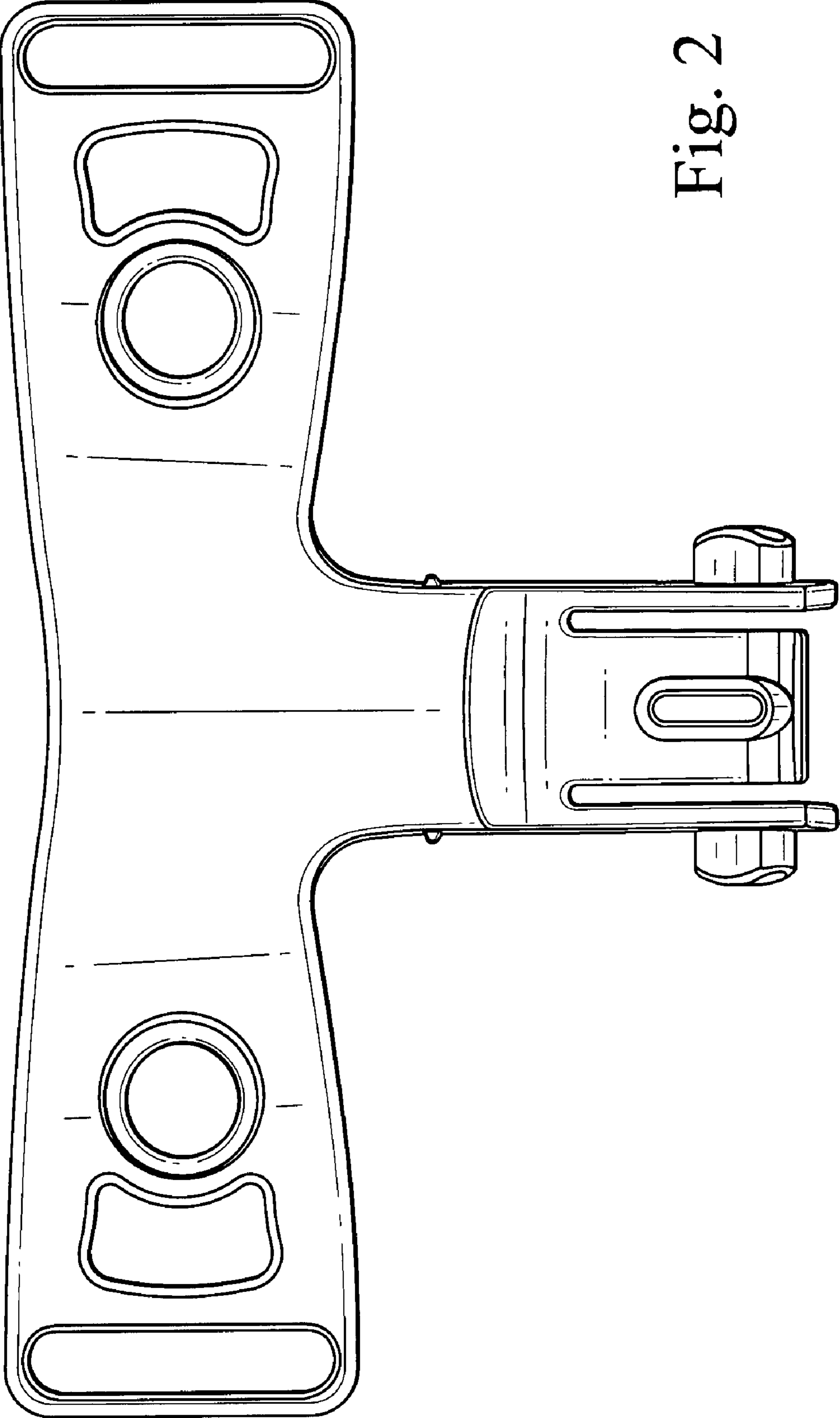


Fig. 2

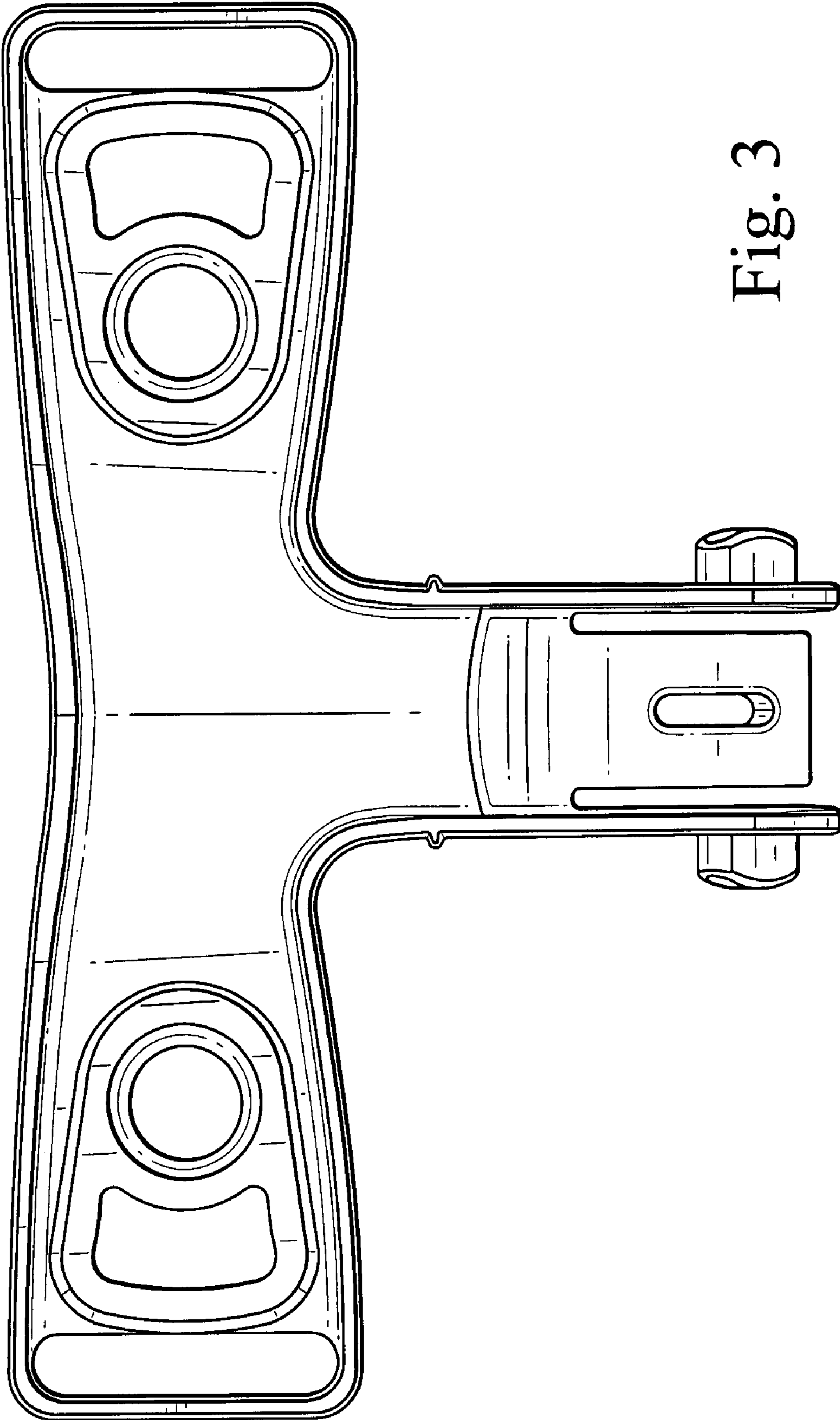


Fig. 3

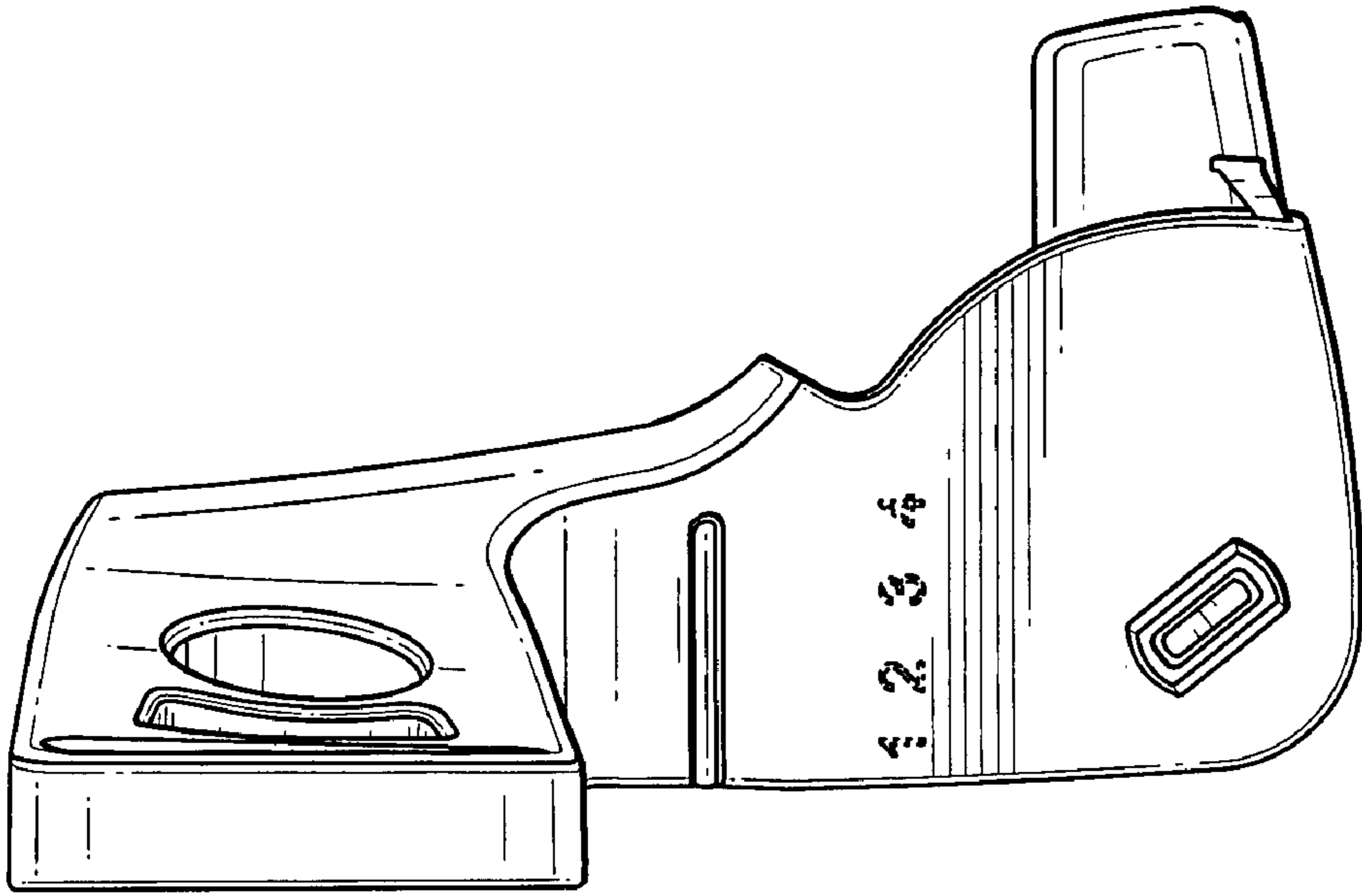


Fig. 4

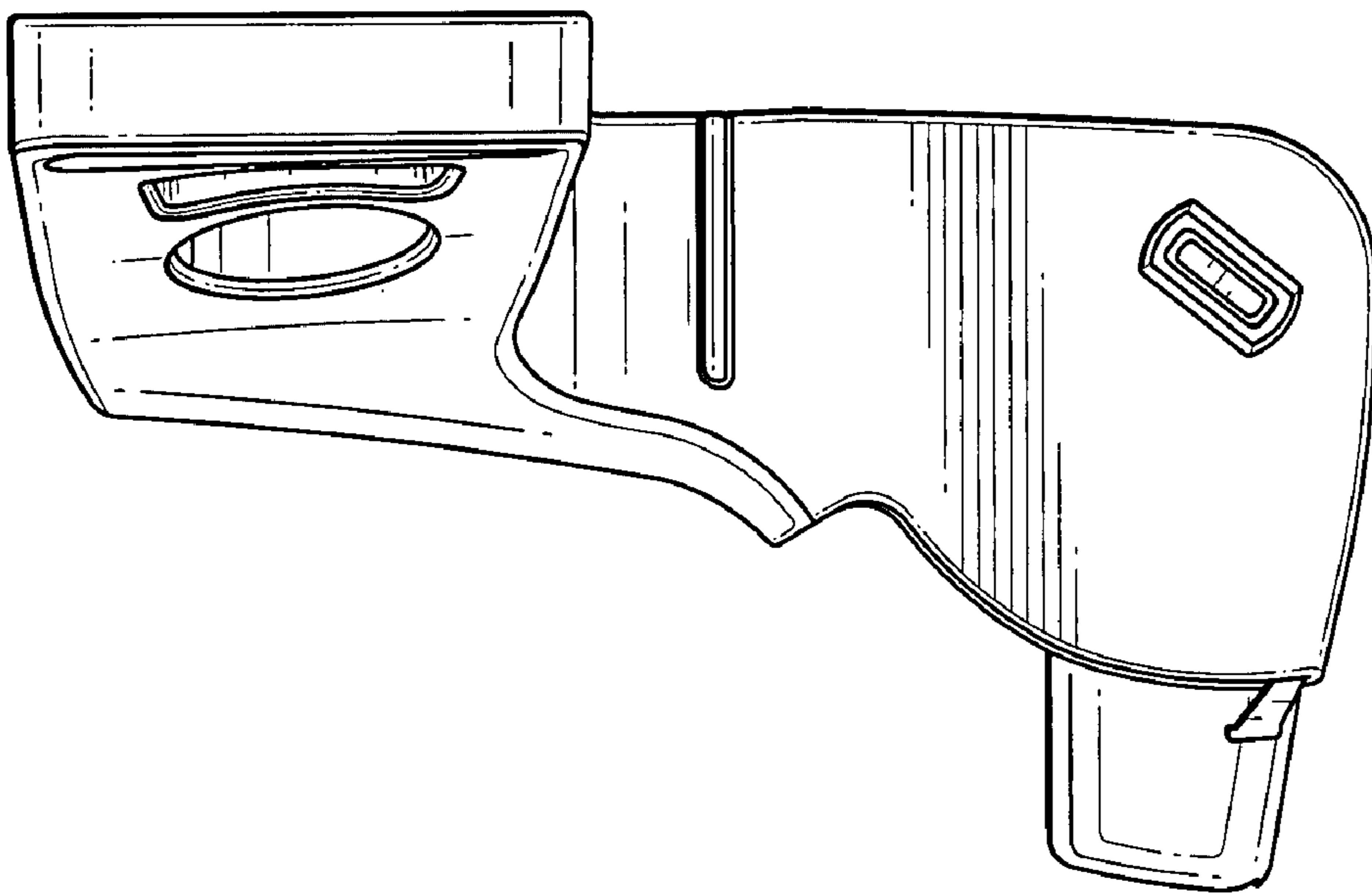


Fig. 5

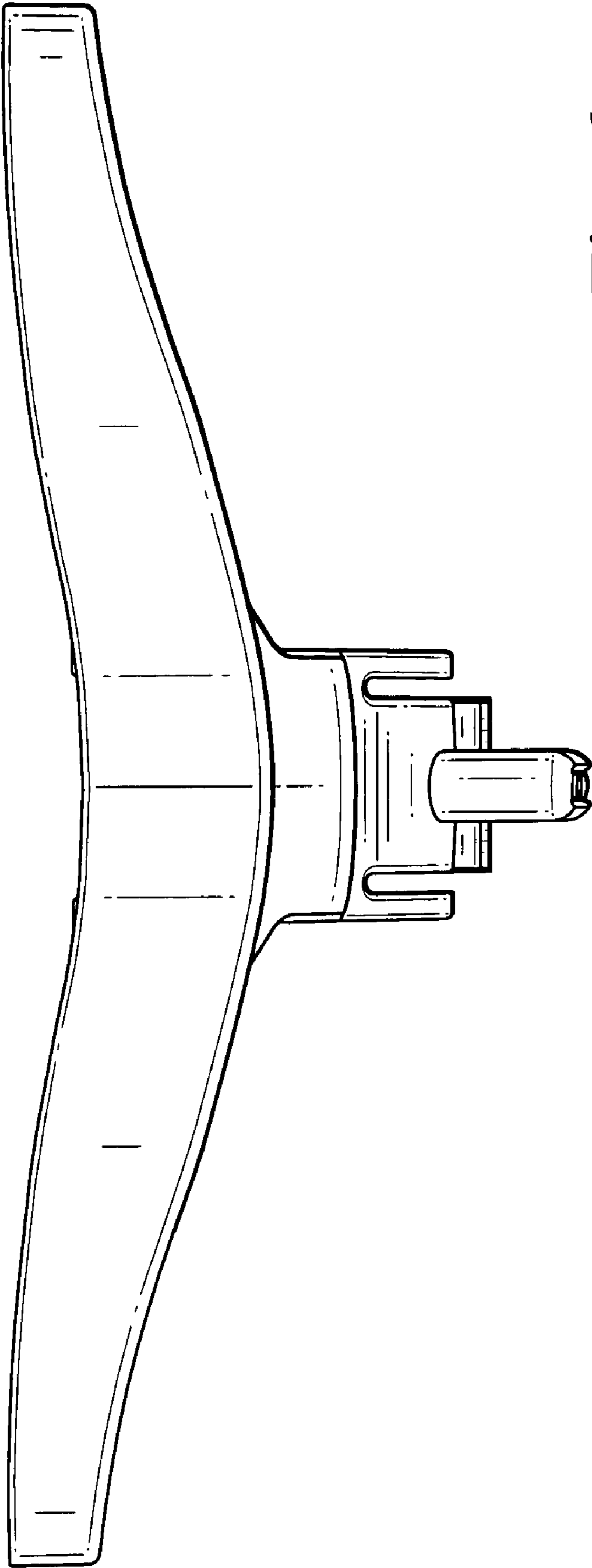


Fig. 6

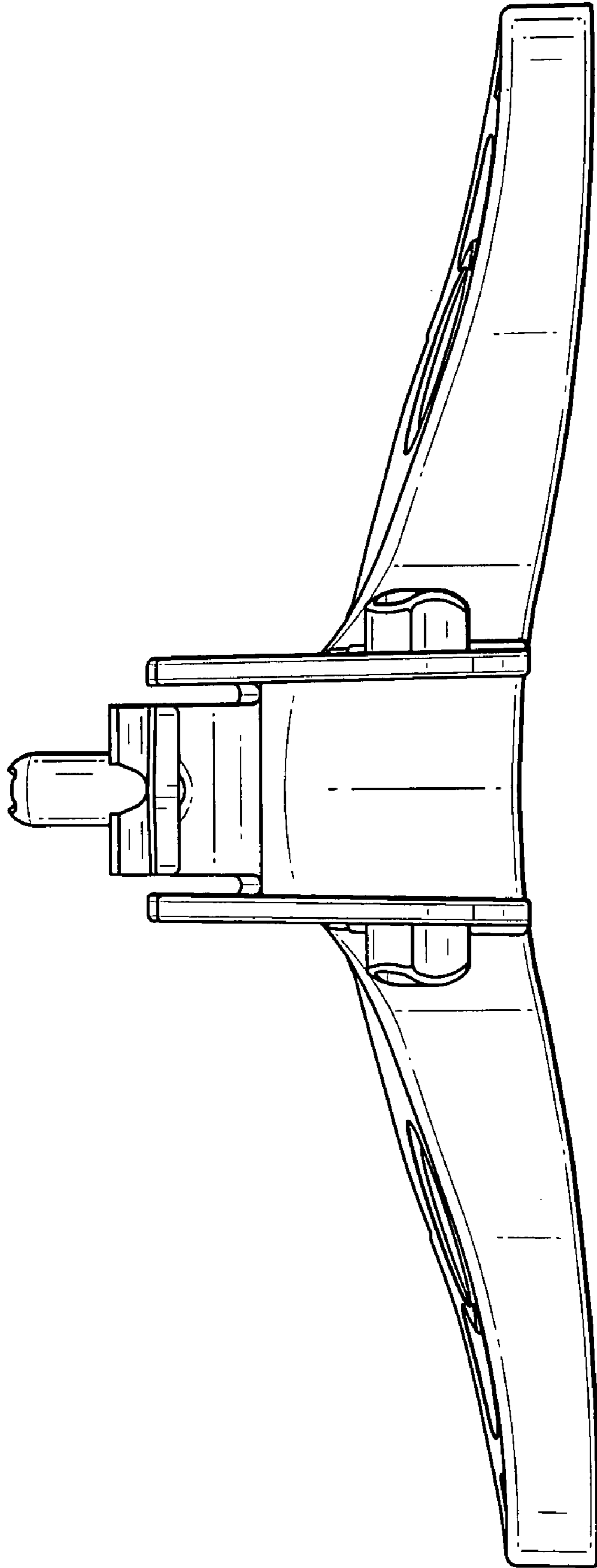


Fig. 7