



US00D562443S

(12) **United States Design Patent**
Zinn et al.

(10) **Patent No.:** **US D562,443 S**

(45) **Date of Patent:** **** Feb. 19, 2008**

(54) **VENOUS ACCESS PORT**

(75) Inventors: **Kenneth M. Zinn**, Westport, CT (US);
Mark S. Fisher, Sellersville, PA (US);
Kevin Sanford, Chalfont, PA (US);
William Shaun Wall, North Wales, PA
(US); **Raymond R. Bizup**, Feasterville,
PA (US); **Timothy M. Schweikert**,
Levittown, PA (US)

(73) Assignee: **Medical Components, Inc.**,
Harleysville, PA (US)

(**) Term: **14 Years**

(21) Appl. No.: **29/259,707**

(22) Filed: **May 12, 2006**

(51) **LOC (8) Cl.** **24-01**

(52) **U.S. Cl.** **D24/108**

(58) **Field of Classification Search** D24/108,
D24/111, 129, 155; 604/167.02, 288.01,
604/288.02, 288.03, 288.04

See application file for complete search history.

(56) **References Cited**

U.S. PATENT DOCUMENTS

D223,340	S	*	4/1972	Diedrich	D25/37
4,692,146	A		9/1987	Hilger		
4,781,680	A	*	11/1988	Redmond et al.	604/288.02
4,886,501	A		12/1989	Johnston et al.		
4,892,518	A		1/1990	Cupp et al.		
5,167,638	A		12/1992	Felix et al.		
5,263,930	A		11/1993	Ensminger		
5,281,199	A		1/1994	Ensminger et al.		
5,503,630	A		4/1996	Ensminger et al.		
5,562,617	A		10/1996	Finch, Jr. et al.		
5,607,393	A		3/1997	Ensminger et al.		
5,833,654	A		11/1998	Powers et al.		
5,989,216	A	*	11/1999	Johnson et al.	604/288.02
6,086,555	A		7/2000	Eliassen et al.		
6,190,352	B1		2/2001	Haarala et al.		

6,213,973	B1		4/2001	Eliassen et al.		
D445,175	S	*	7/2001	Bertheas	D24/108
D546,440	S	*	7/2007	Burnside	D24/108
D550,355	S	*	9/2007	Racz et al.	D24/129
2004/0002693	A1	*	1/2004	Bright et al.	604/533
2005/0085778	A1		4/2005	Parks		
2006/0178647	A1	*	8/2006	Stats	604/288.01
2006/0247584	A1	*	11/2006	Sheetz et al.	604/288.02
2007/0073250	A1	*	3/2007	Schneiter	604/288.01
2007/0123831	A1	*	5/2007	Haindl et al.	604/288.01
2007/0219510	A1	*	9/2007	Zinn et al.	604/288.01
2007/0233017	A1	*	10/2007	Zinn et al.	604/288.01

* cited by examiner

Primary Examiner—Adir Aronovich

Assistant Examiner—Carissa C Fitts

(74) *Attorney, Agent, or Firm*—Anton P. Ness; Fox
Rothschild LLP

(57) **CLAIM**

The ornamental design for a venous access port, as shown
and described.

DESCRIPTION

FIG. 1 is an isometric view of a venous access port accord-
ing to the present invention.

FIG. 2 is a right side view of the venous access port shown
in FIG. 1.

FIG. 3 is a left side view of the venous access port shown
in FIG. 1.

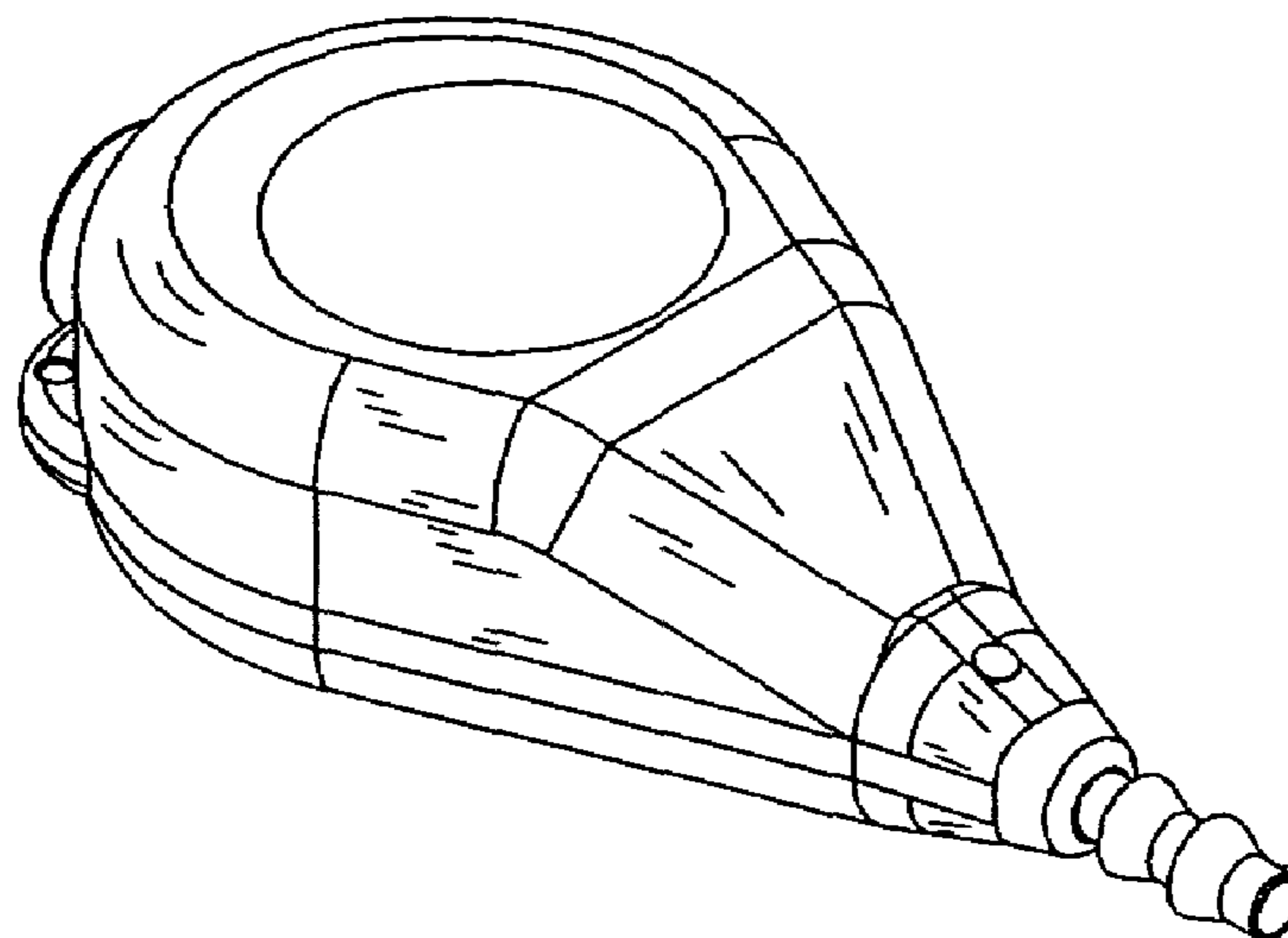
FIG. 4 is a bottom view of the venous access port shown in
FIG. 1.

FIG. 5 is a top view of the venous access port shown in FIG.
1.

FIG. 6 is a view from the proximal end of the venous access
port shown in FIG. 1; and,

FIG. 7 is a view from the distal end of the venous access port
shown in FIG. 1.

1 Claim, 2 Drawing Sheets



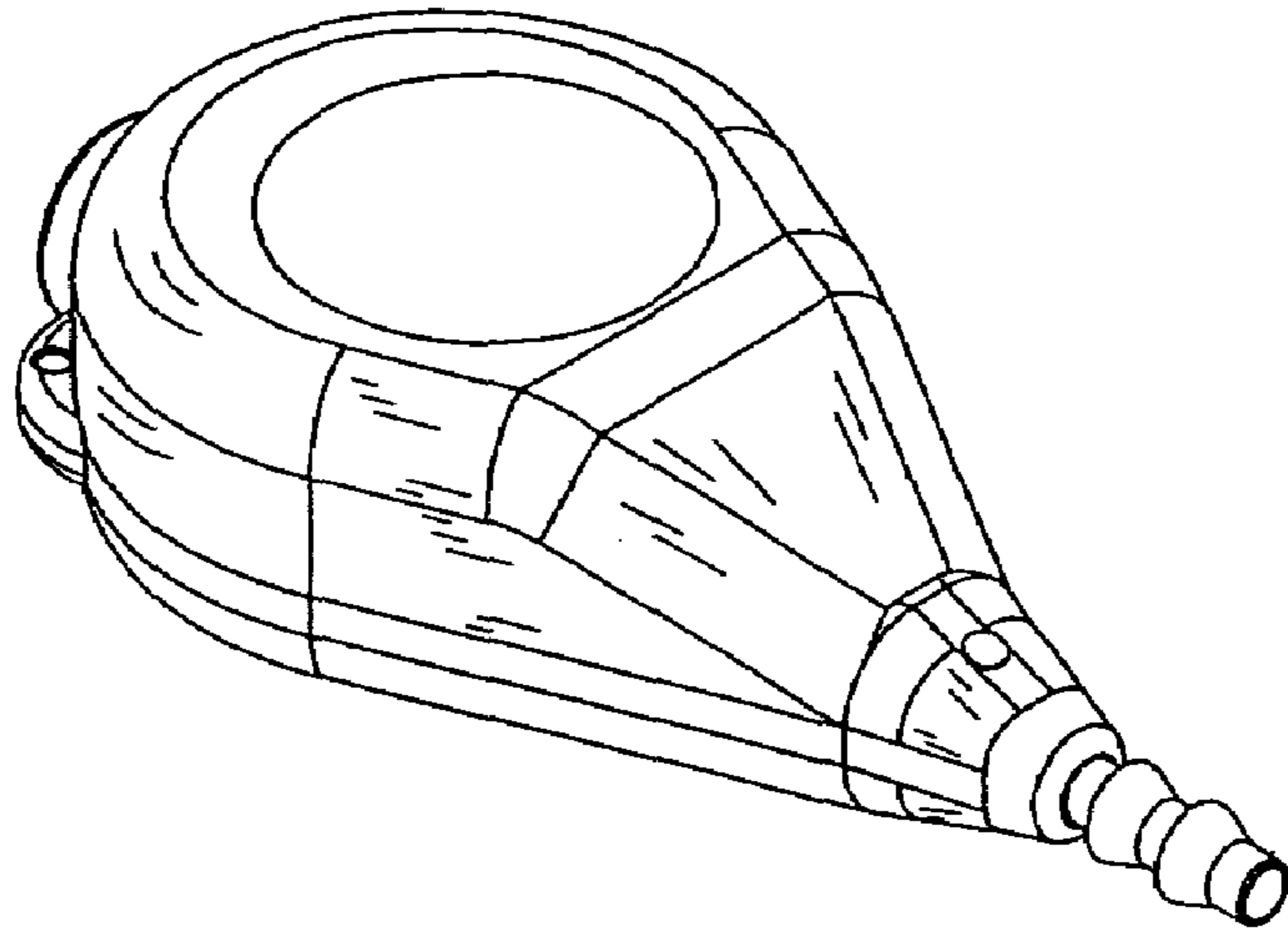


FIG. 1

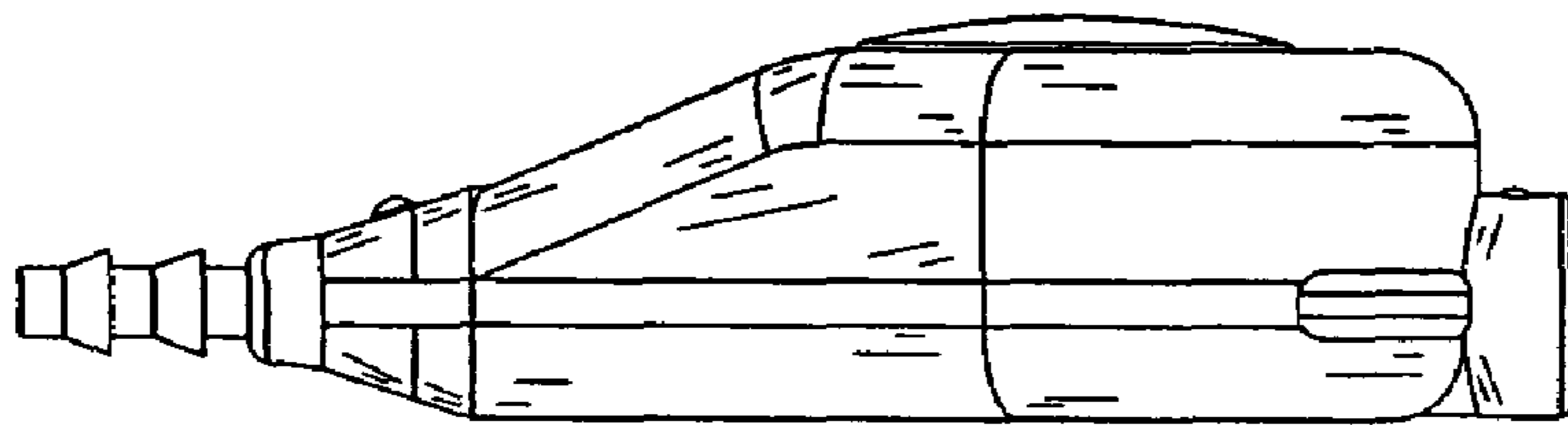


FIG. 2

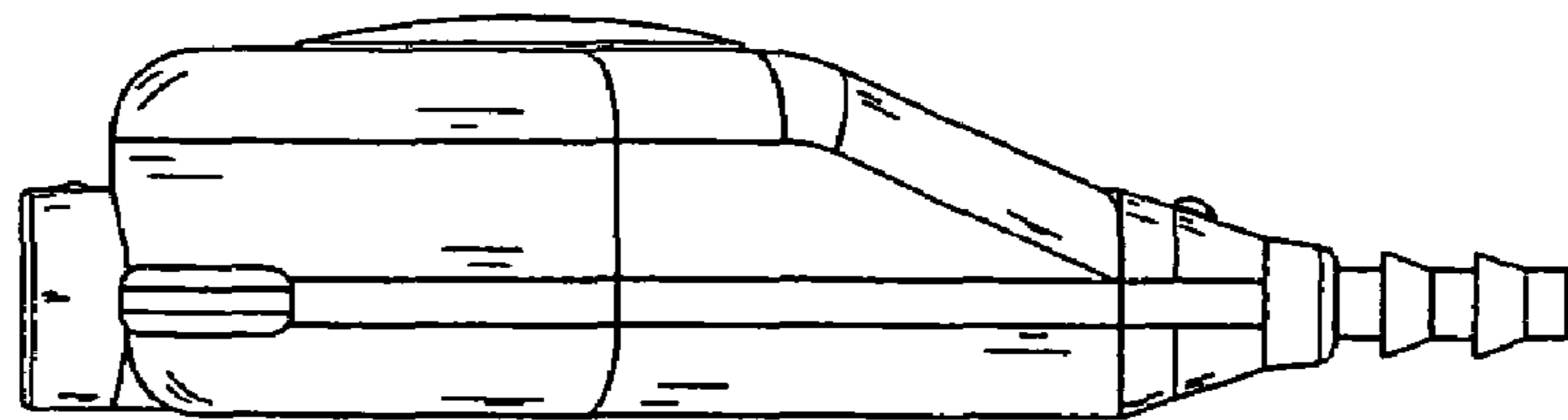


FIG. 3

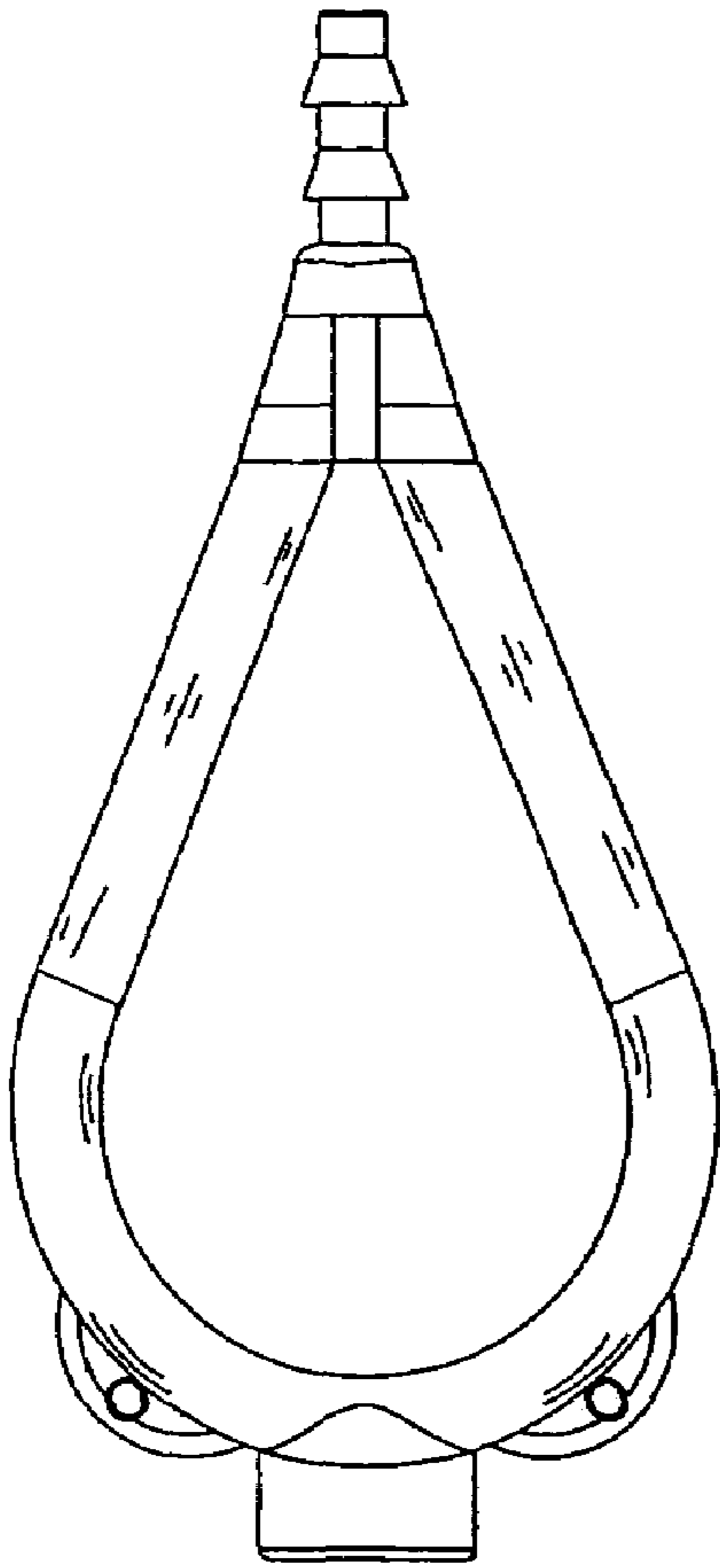


FIG. 4

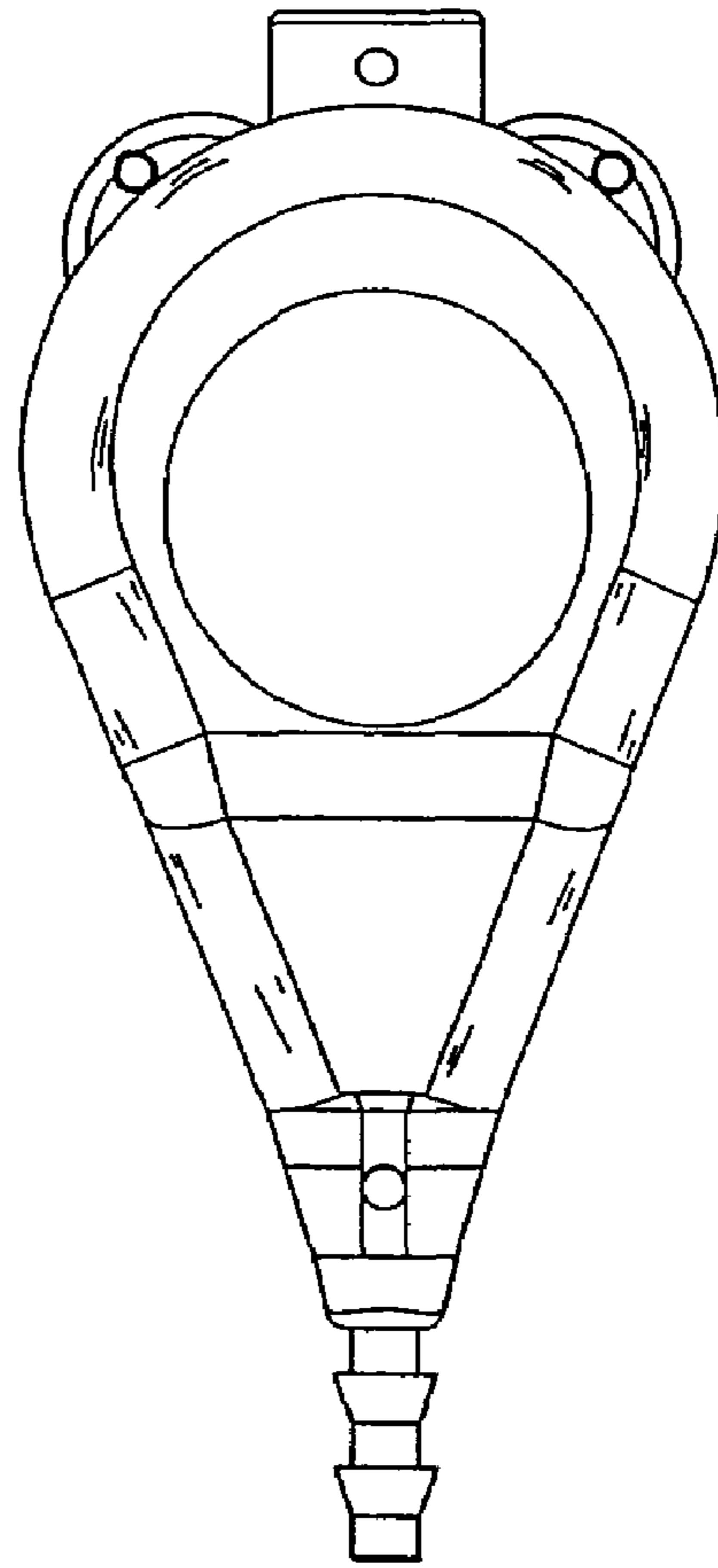


FIG. 5

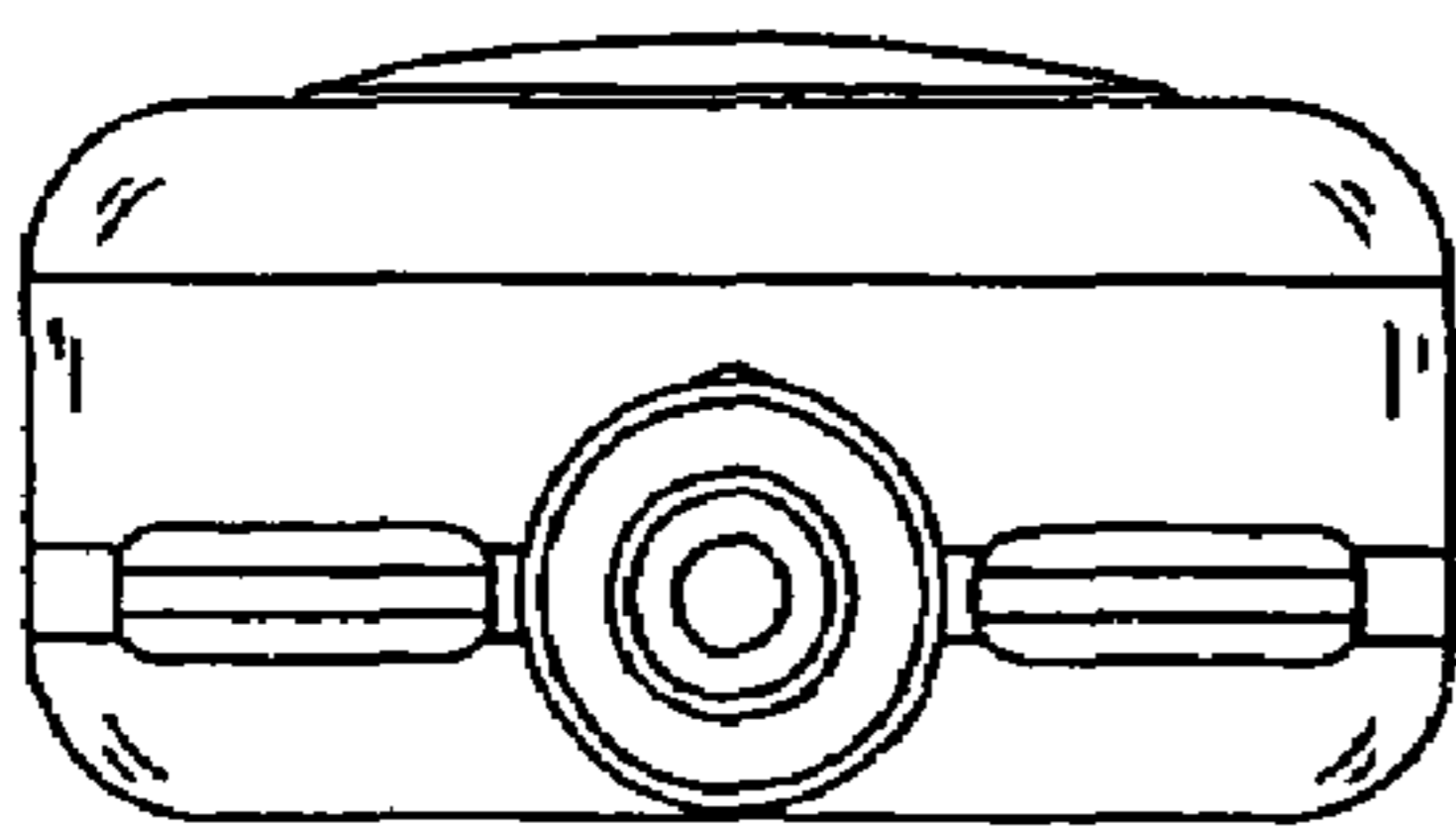


FIG. 6

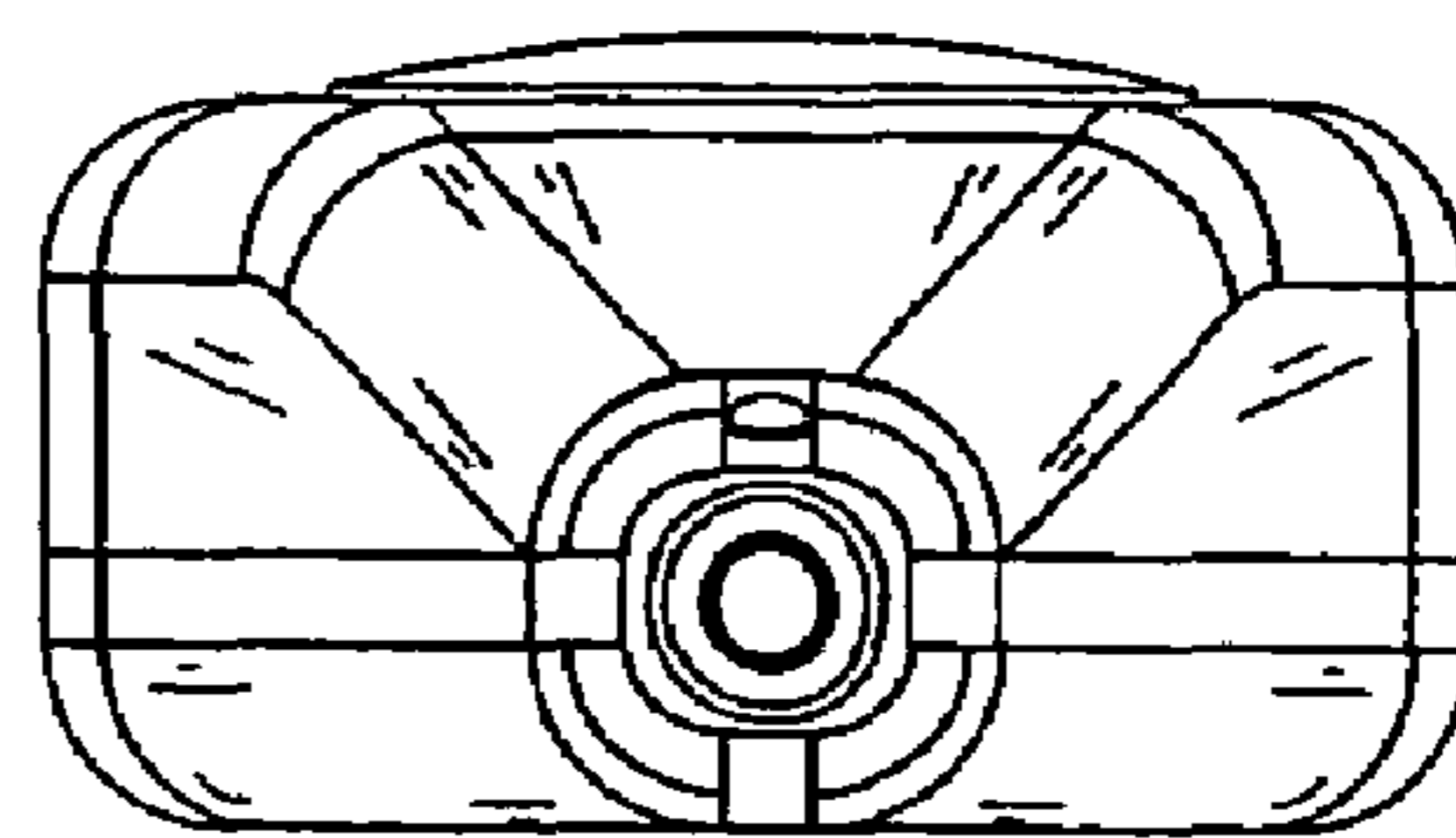


FIG. 7