



US00D562442S

(12) **United States Design Patent**
Blateri

(10) **Patent No.:** **US D562,442 S**

(45) **Date of Patent:** **** Feb. 19, 2008**

(54) **FAN**

(74) *Attorney, Agent, or Firm*—Haynes and Boone, LLP

(76) **Inventor:** **Frank Blateri**, 191 Chaucer Ct.,
Coppell, TX (US) 76019

(57) **CLAIM**

The ornamental design for a fan, as shown and described.

(**) **Term:** **14 Years**

(21) **Appl. No.:** **29/250,250**

DESCRIPTION

(22) **Filed:** **Nov. 7, 2006**

(51) **LOC (8) Cl.** **23-04**

(52) **U.S. Cl.** **D23/382**

(58) **Field of Classification Search** D23/382,
D23/381, 332, 370, 411, 412; 416/246 R,
416/247 R, 244 R

See application file for complete search history.

FIG. 1 is an isometric view showing the fan of my new design oriented for mounting on a wall;

FIG. 2 is a front elevational view thereof;

FIG. 3 is a left side elevational view thereof;

FIG. 4 is a right side elevational view thereof

FIG. 5 is a rear elevational view thereof;

FIG. 6 is a top plan view thereof;

FIG. 7 is a bottom plan view thereof;

FIG. 8 is a reduced view similar to that of FIG. 1, but showing the fan oriented for mounting on a floor or other horizontal support; and,

FIG. 9 is a reduced view similar to that of FIG. 1, but showing the fan of my new design oriented for mounting on a ceiling.

The broken line showing of an electrical cord is included for the purpose of illustrating environmental structure and forms no part of the claimed design.

(56) **References Cited**

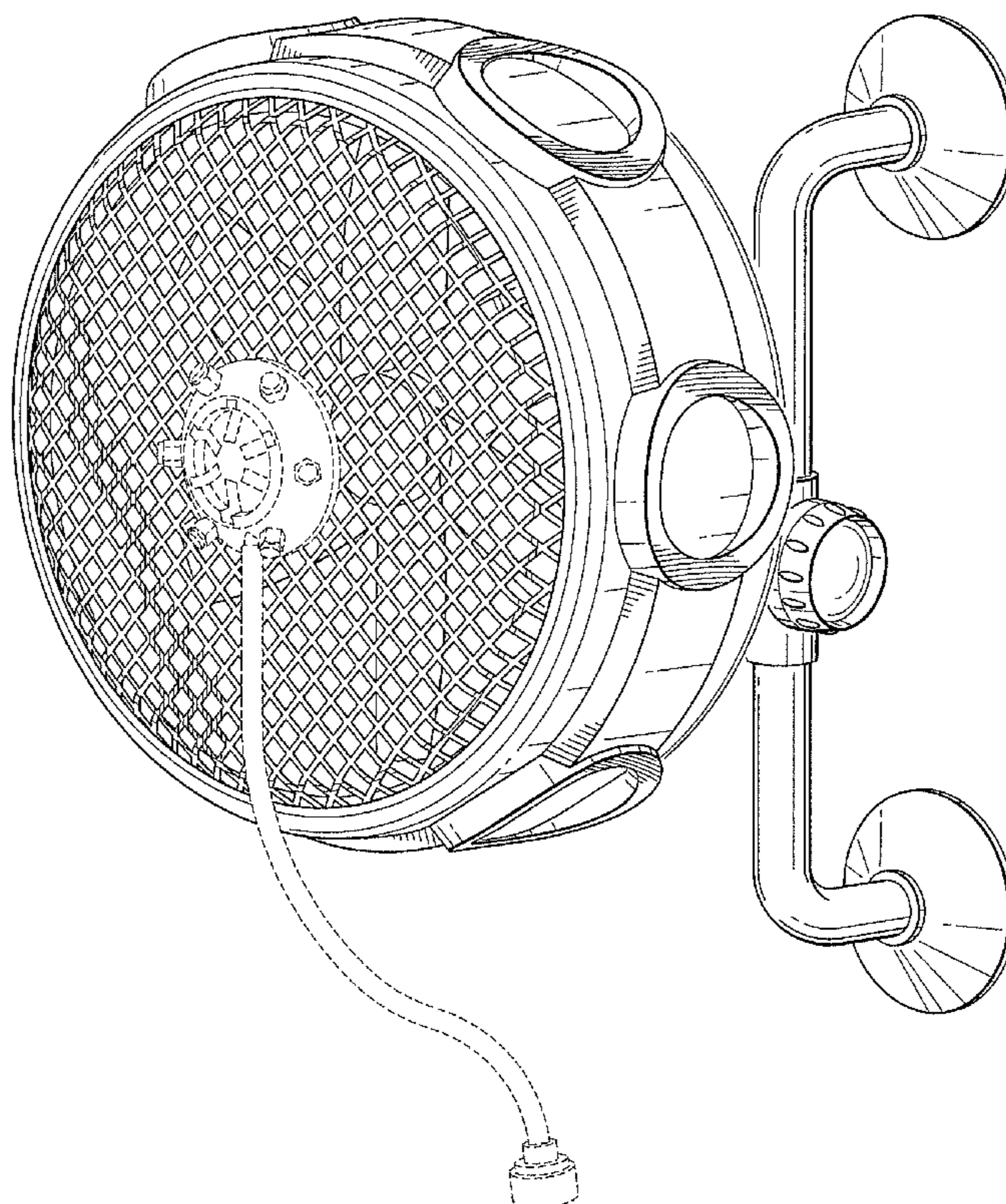
U.S. PATENT DOCUMENTS

D128,142 S	*	7/1941	Moskowitz	D23/382
D306,903 S		3/1990	Shin-Chin		
D426,296 S	*	6/2000	Blateri	D23/382
D429,328 S		8/2000	Hotaling et al.		
D433,117 S		10/2000	Wolfe		
D433,497 S		11/2000	Hotaling et al.		
D482,438 S		11/2003	Barker et al.		
D531,718 S	*	11/2006	Bucher et al.	D23/382

* cited by examiner

Primary Examiner—Lisa Lichtenstein

1 Claim, 8 Drawing Sheets



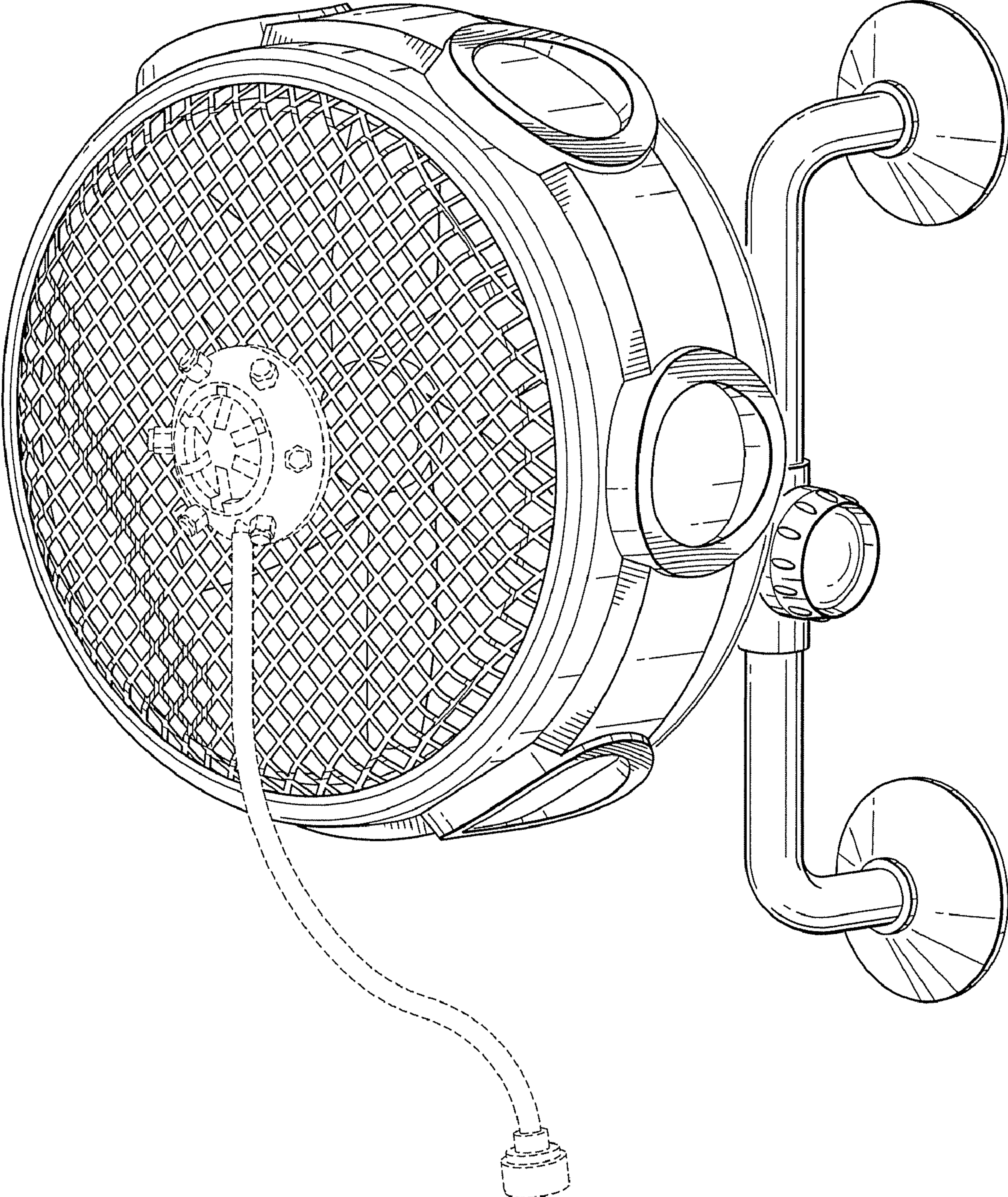


Fig. 1

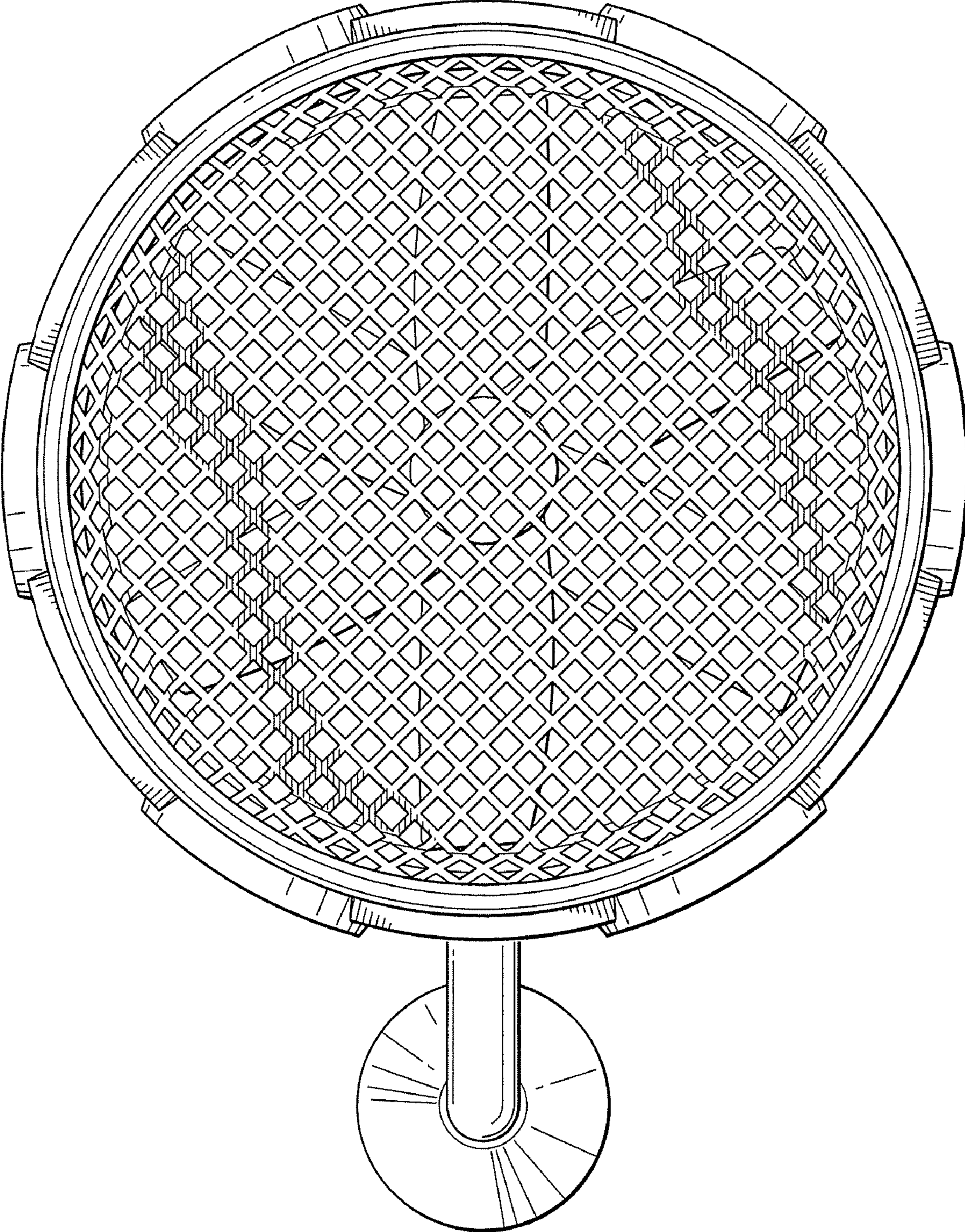


Fig. 2

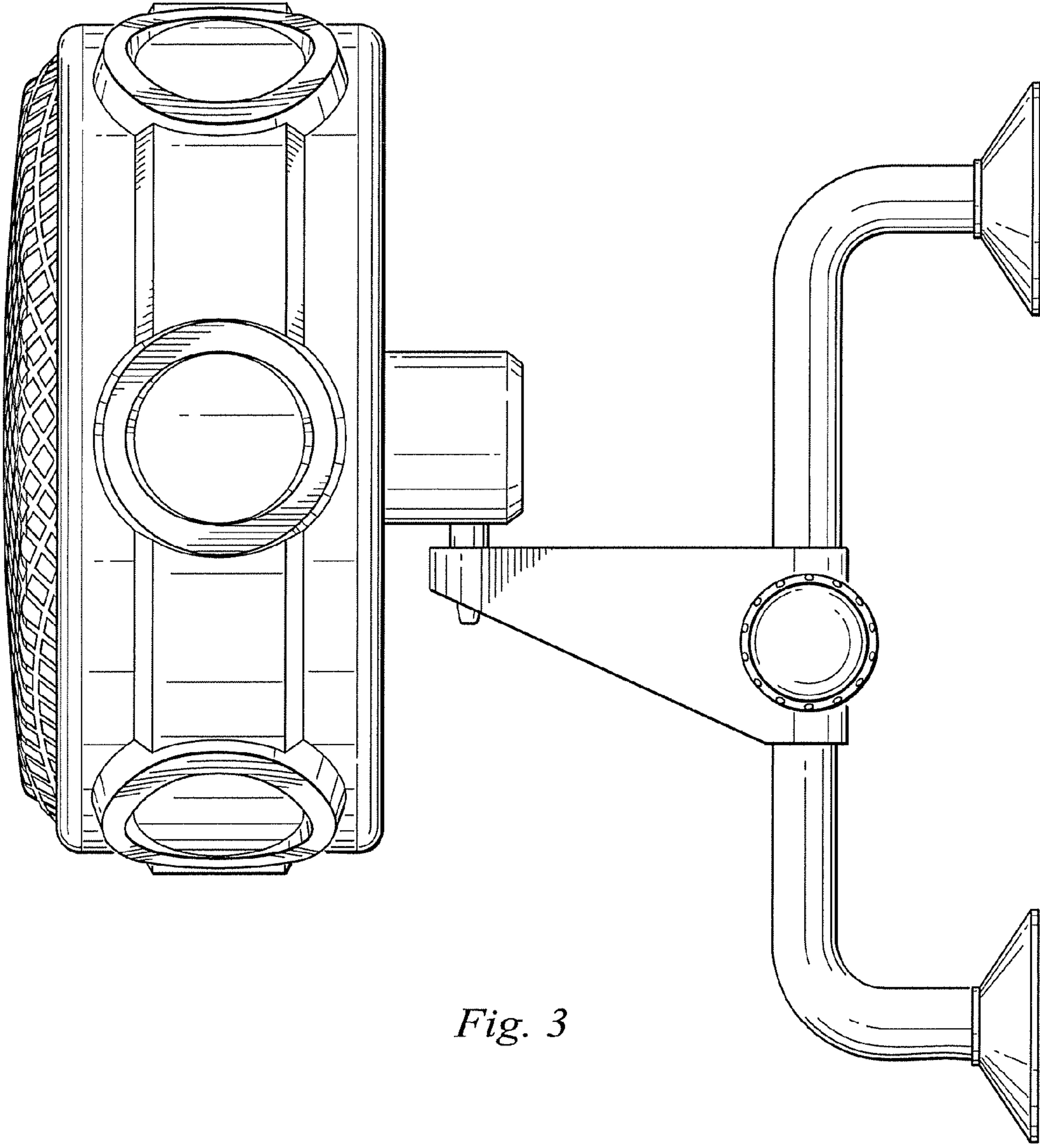


Fig. 3

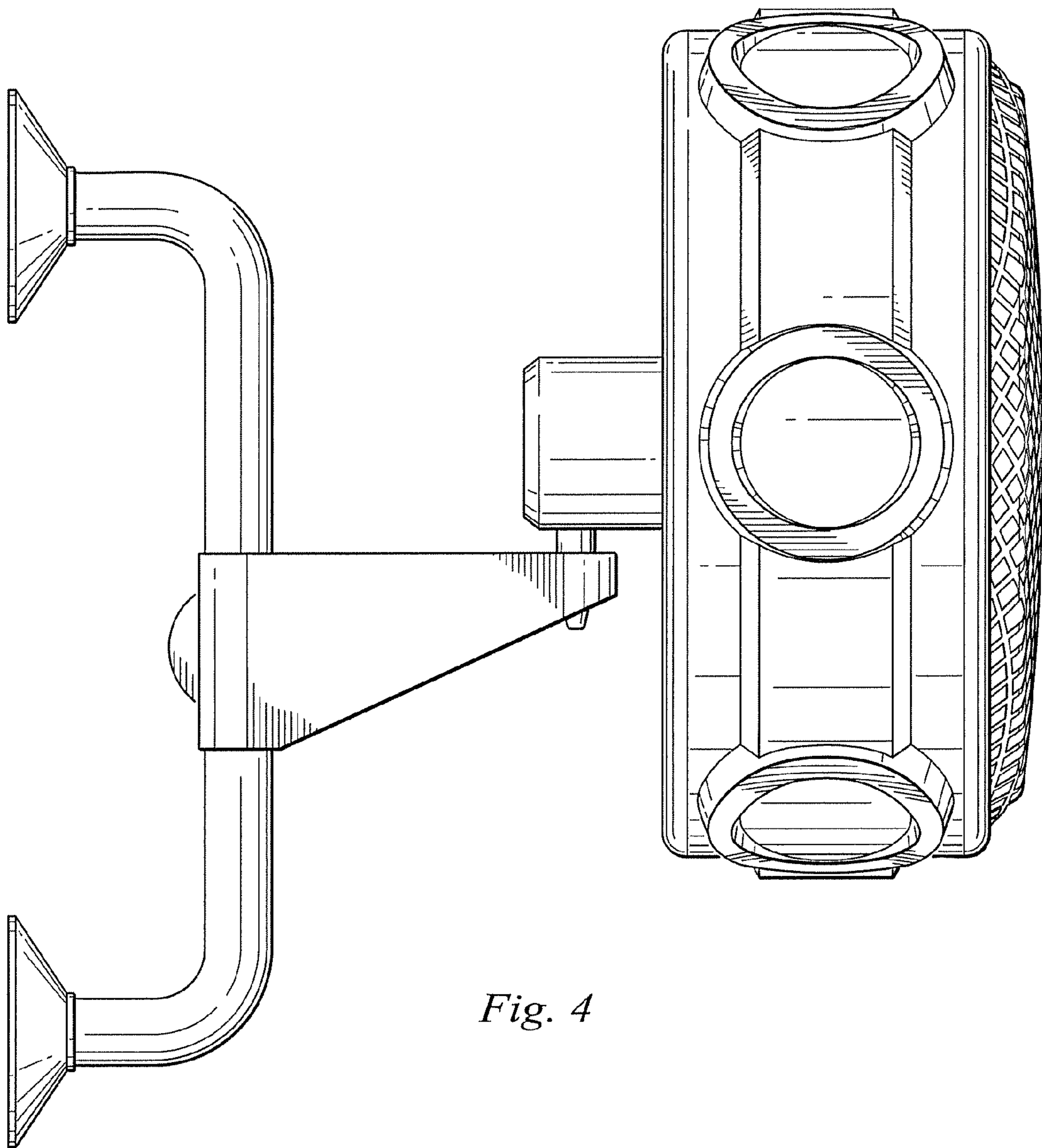


Fig. 4

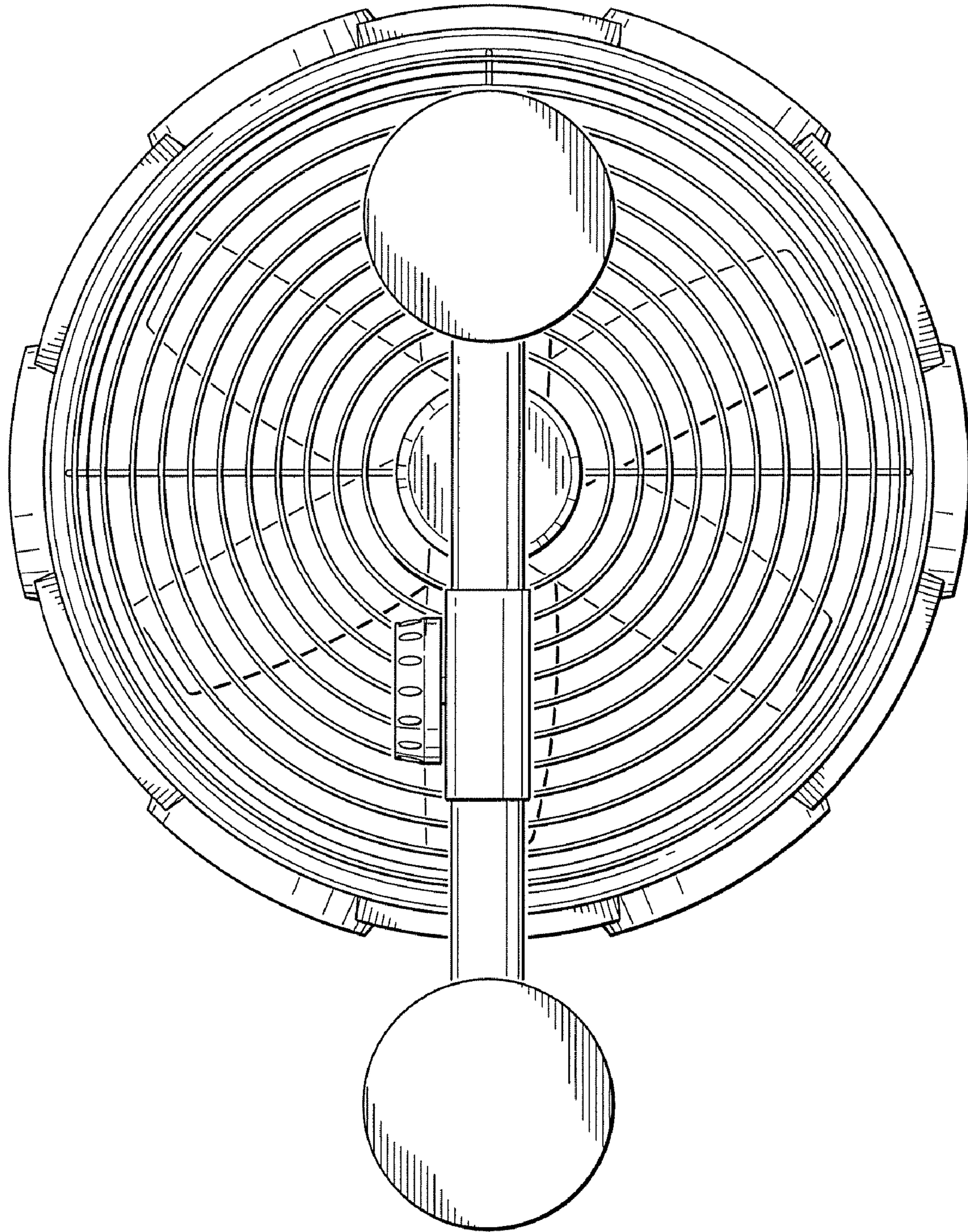


Fig. 5

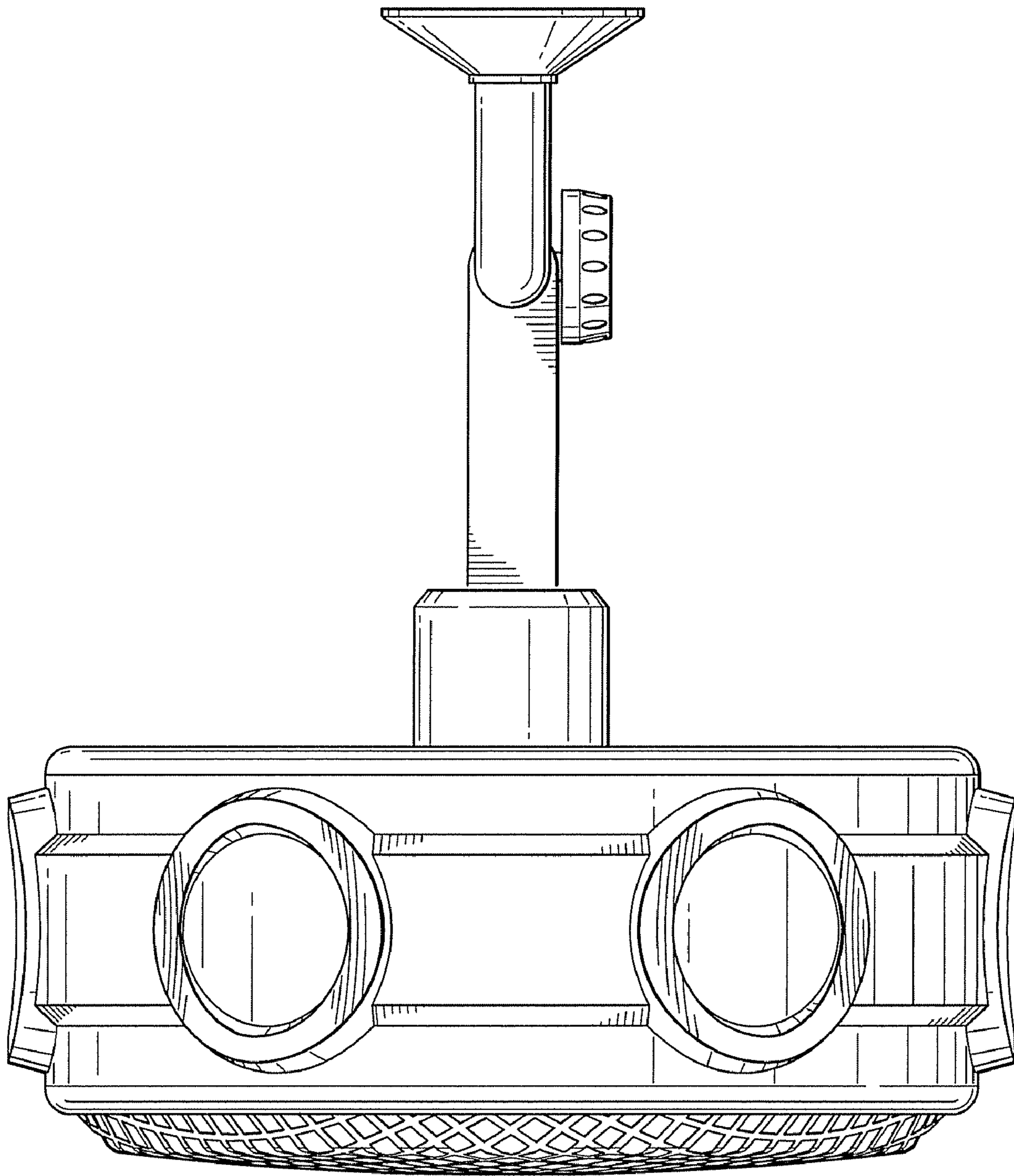


Fig. 6

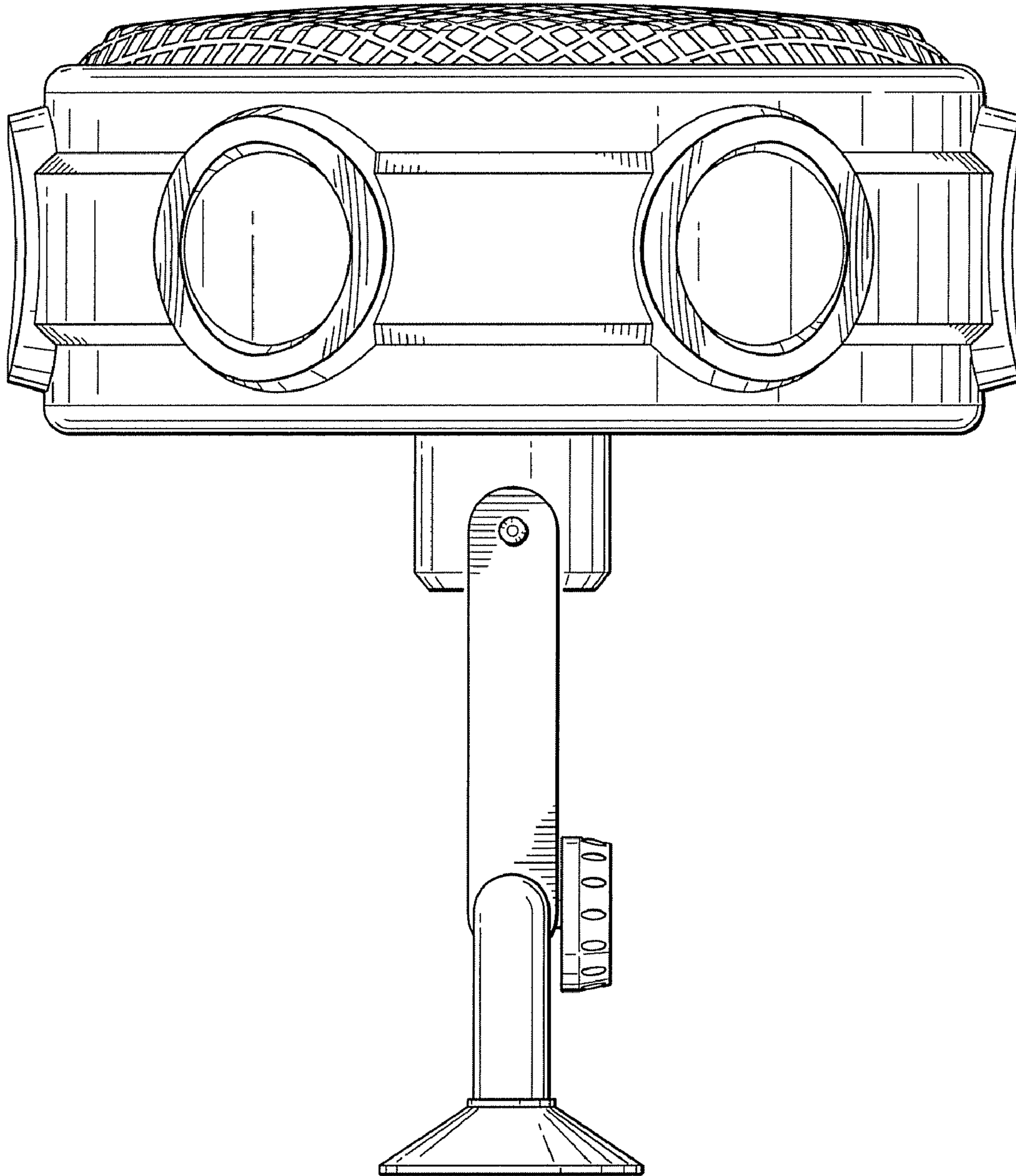


Fig. 7

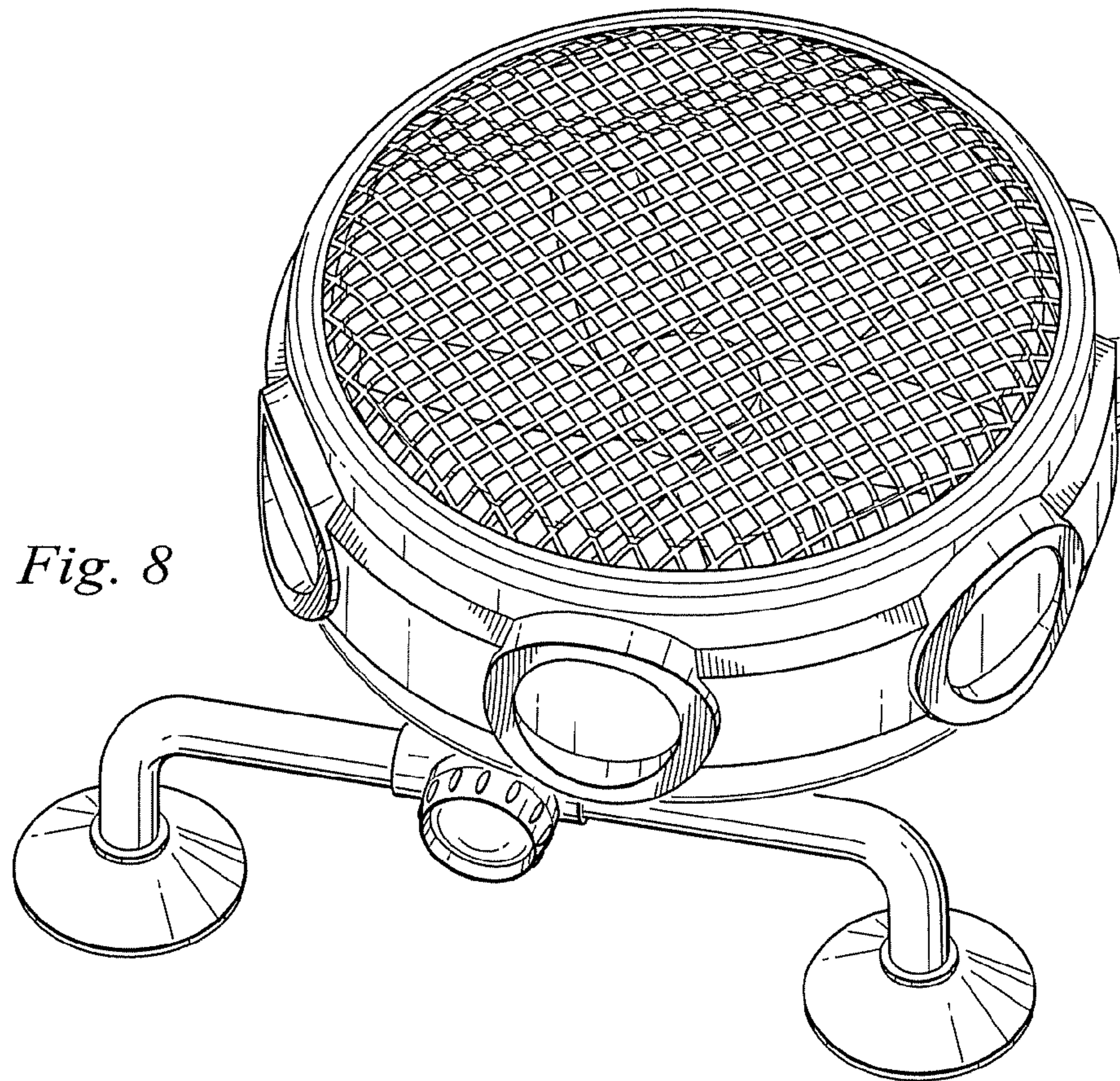


Fig. 8

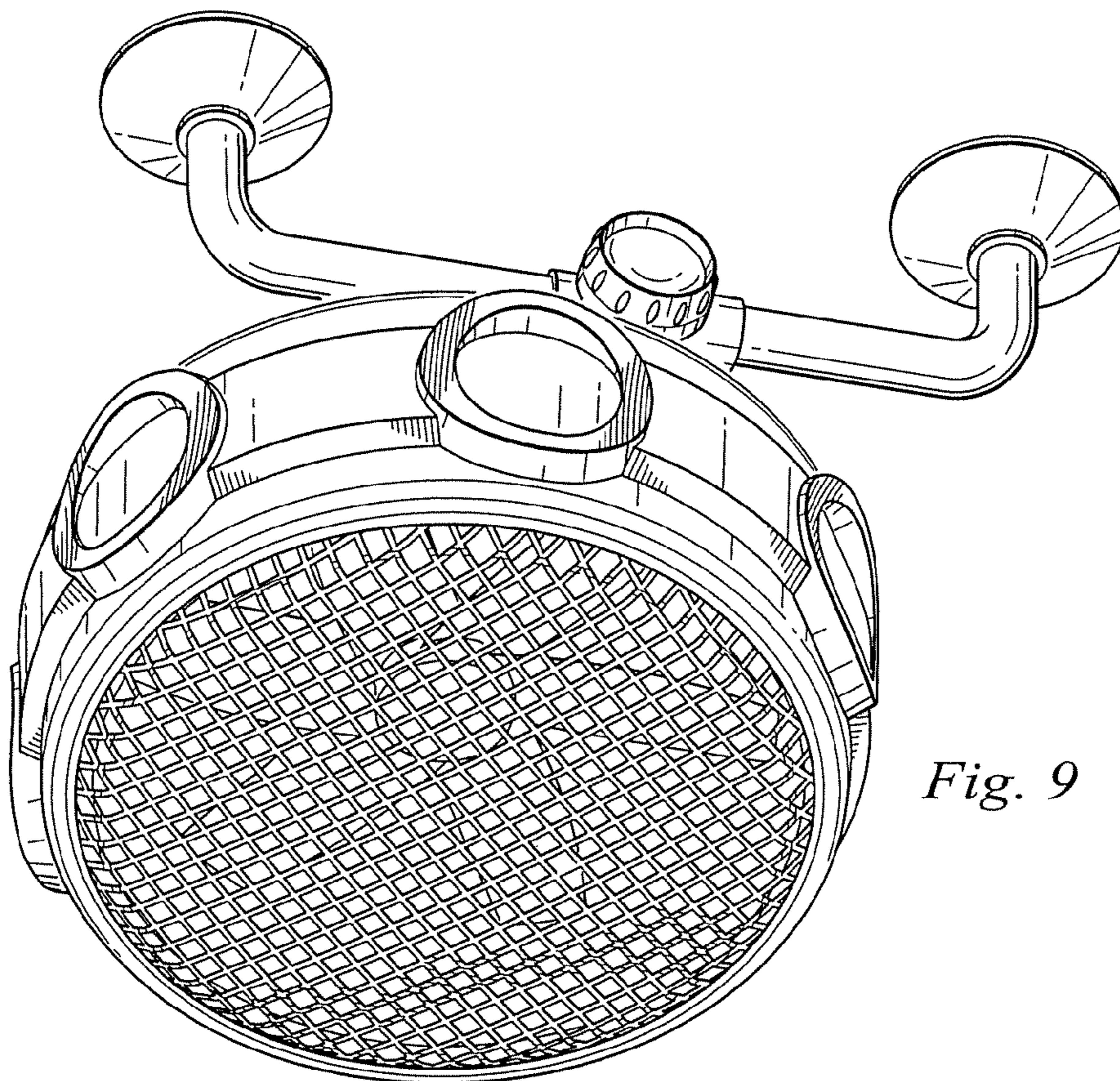


Fig. 9