



US00D562440S

(12) **United States Design Patent**
Negrao et al.

(10) **Patent No.:** **US D562,440 S**
(45) **Date of Patent:** **** Feb. 19, 2008**

(54) **FRONT PANEL FOR CONDITIONED AIR DEVICES**

D366,105 S * 1/1996 Thompson et al. D23/354
D372,767 S * 8/1996 Borges D23/354
D373,415 S * 9/1996 Thompson et al. D23/354
D490,509 S * 5/2004 Negrao et al. D23/354

(75) Inventors: **Rogério Ferreira Negrao**, Joinville-SC (BR); **Anna Luiza Moraes de Sa Cavalcanti**, Joinville-SC (BR); **Guilherme Nehring**, Joinville-SC (BR)

* cited by examiner

Primary Examiner—Brian N Vinson
(74) *Attorney, Agent, or Firm*—Darby & Darby P.C.

(73) Assignee: **Whirlpool S.A.**, Sao Paulo - SP (BR)

(**) Term: **14 Years**

(57) **CLAIM**

(21) Appl. No.: **29/249,810**

The ornamental design for front panel for conditioned air devices, as shown and described.

(22) Filed: **Oct. 23, 2006**

DESCRIPTION

(51) **LOC (8) Cl.** **23-04**

FIG. 1 is a left and upper front lateral perspective view of the present front panel for air conditioner devices;

(52) **U.S. Cl.** **D23/354**

FIG. 2 is a front elevational view of the front panel of FIG. 1;

(58) **Field of Classification Search** D23/351-354;
62/259.1, 259.4, 262-263, 304, 324.1, DIG. 16;
312/236; 454/201-204

FIG. 3 is a left lateral elevational view of the front panel of FIGS. 1 and 2;

See application file for complete search history.

FIG. 4 is an upper plan view of the front panel of FIGS. 1-3; and,

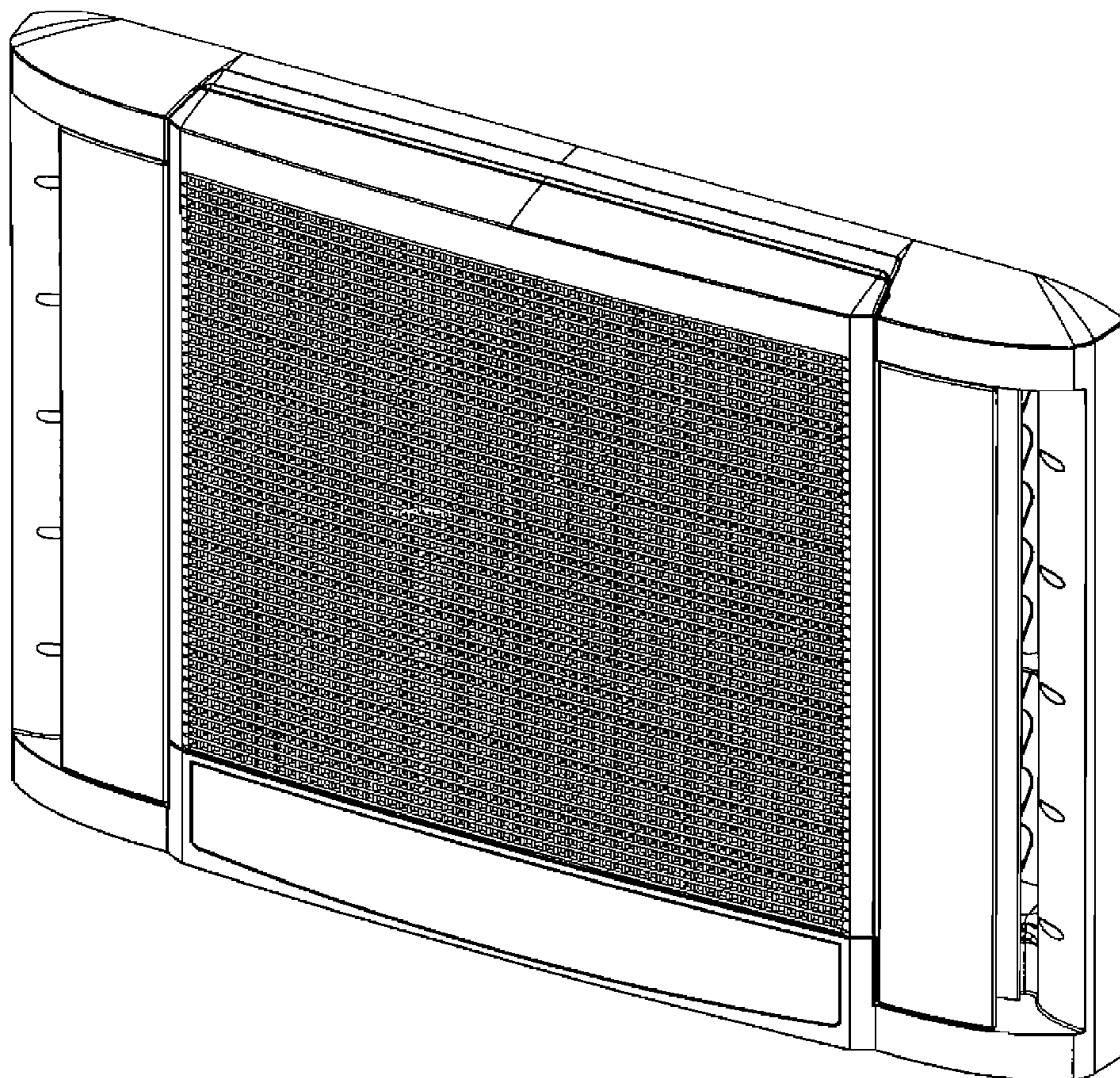
(56) **References Cited**

FIG. 5 is a view similar to that of FIG. 1, but illustrating the front panel in a different operational position.

U.S. PATENT DOCUMENTS

D185,886 S * 8/1959 Egan D23/354
D360,067 S * 7/1995 McColgin et al. D23/354
D365,627 S * 12/1995 Thompson et al. D23/354

1 Claim, 5 Drawing Sheets



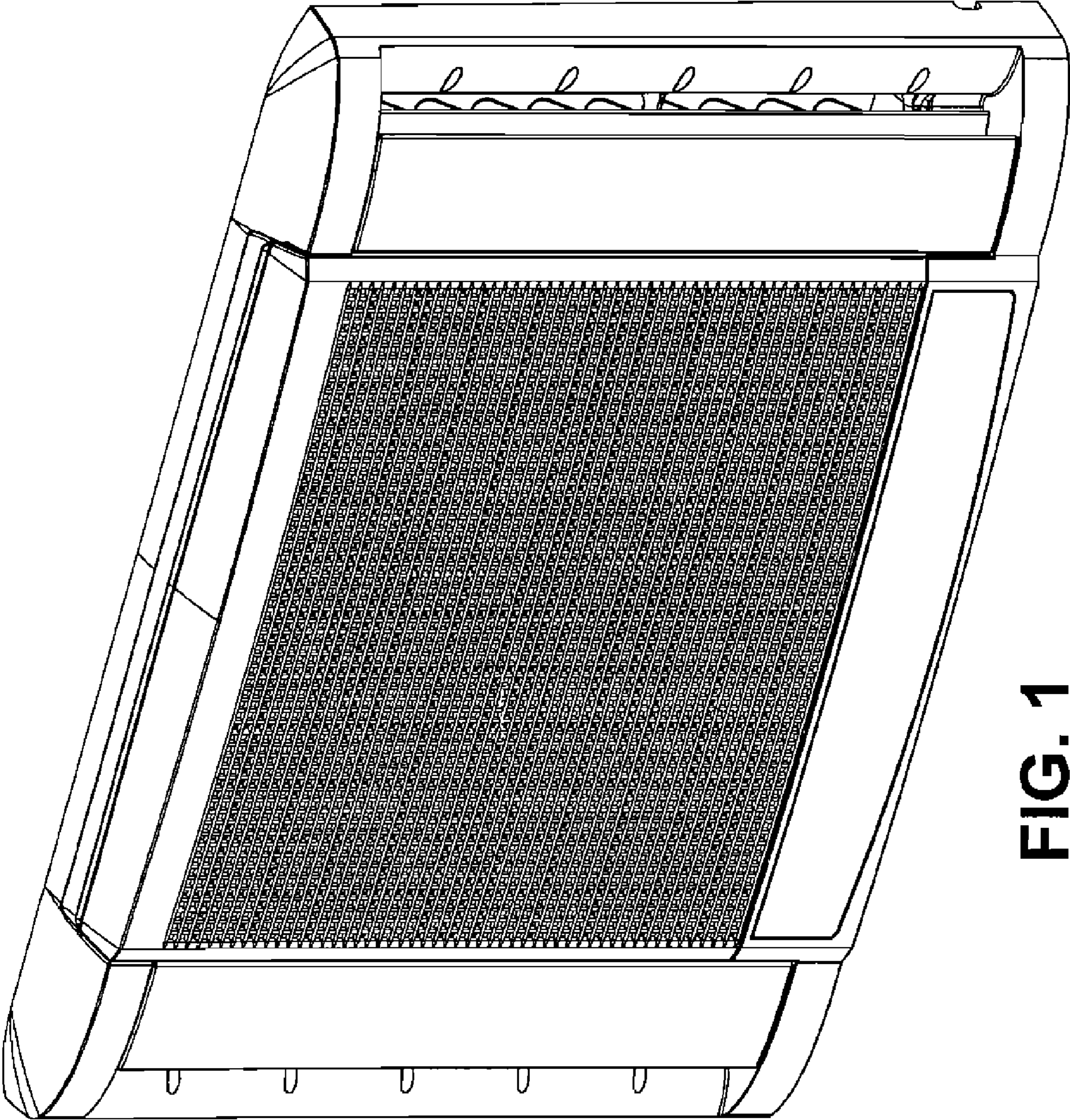


FIG. 1

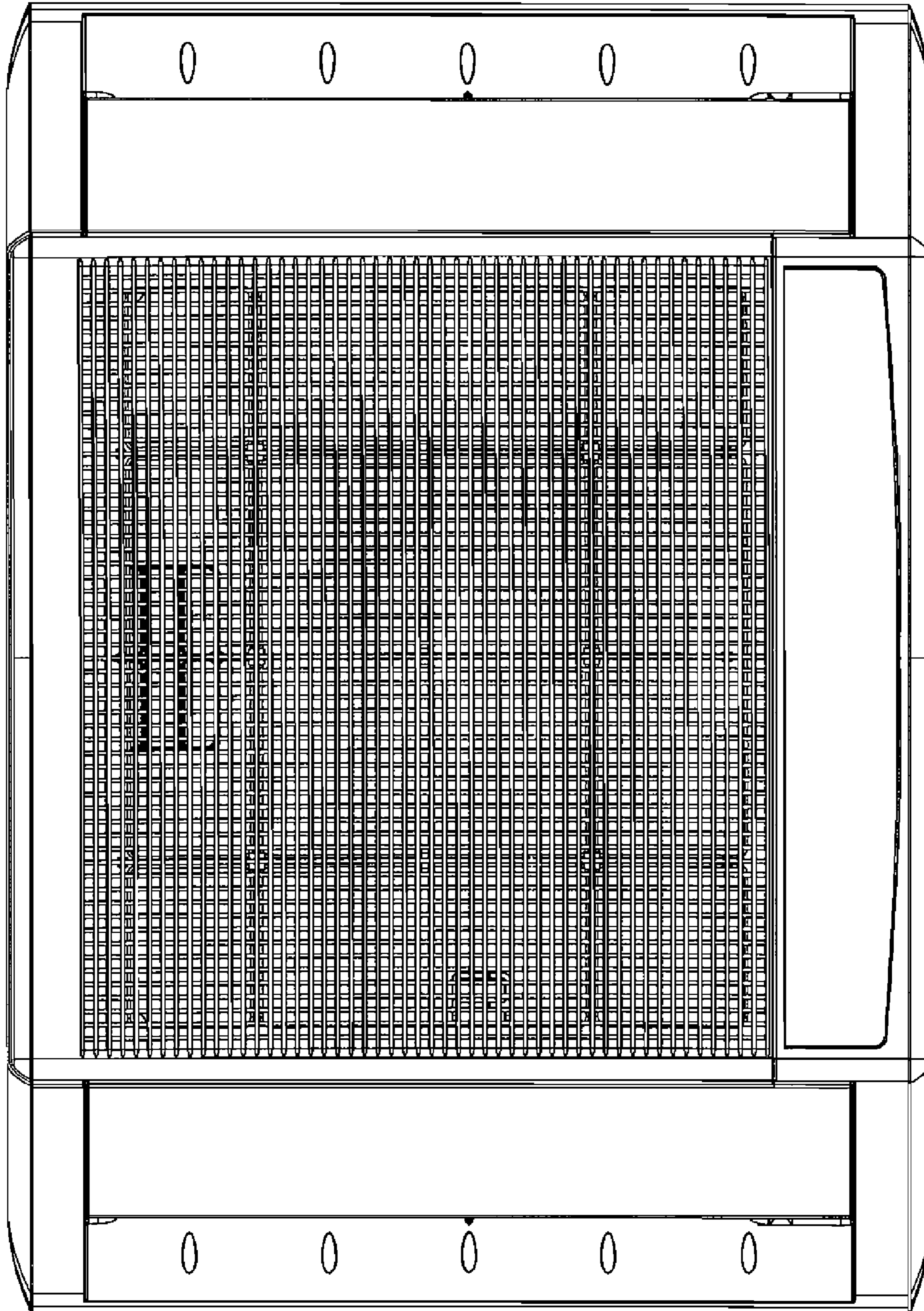


FIG. 2

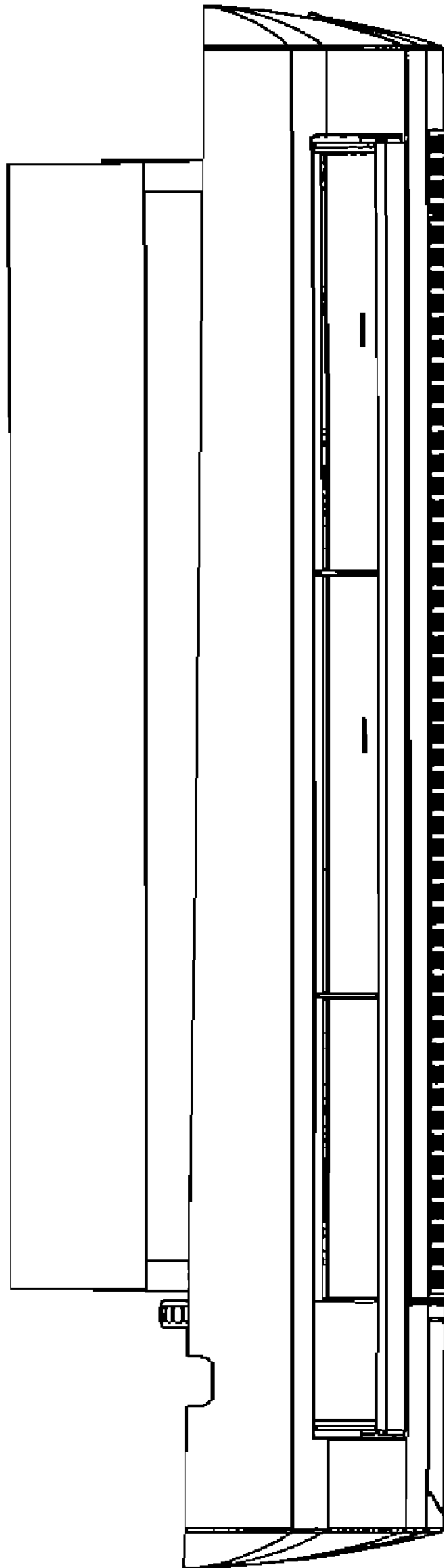


FIG. 3

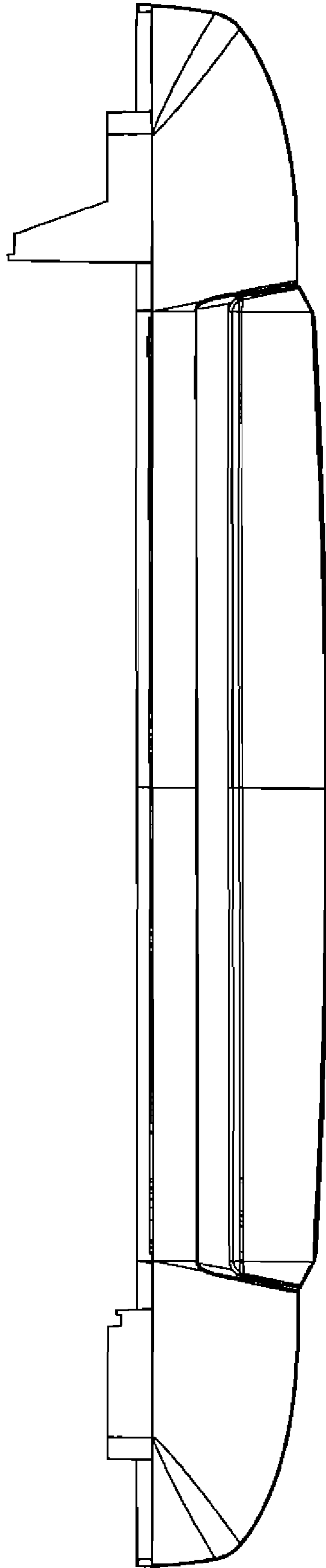


FIG. 4

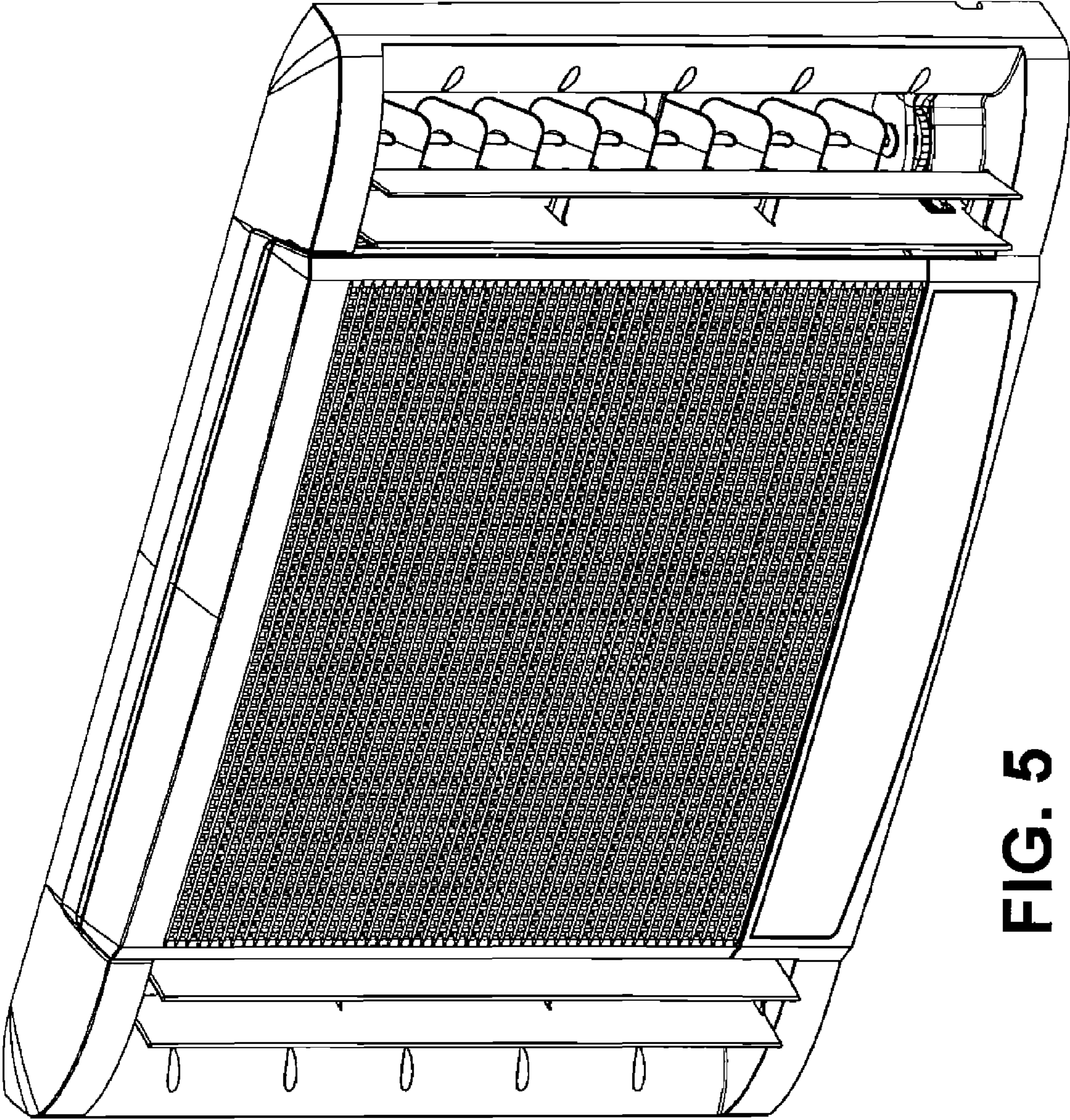


FIG. 5

UNITED STATES PATENT AND TRADEMARK OFFICE
CERTIFICATE OF CORRECTION

PATENT NO. : Des. 562,440 S
APPLICATION NO. : 29/249810
DATED : February 19, 2008
INVENTOR(S) : Rogerio Ferreira Negrao et al.

Page 1 of 1

It is certified that error appears in the above-identified patent and that said Letters Patent is hereby corrected as shown below:

In the Title Page:

Item (30);

Please insert --Br - DI 6601591-0 May 17, 2006--

Signed and Sealed this

First Day of July, 2008

A handwritten signature in black ink that reads "Jon W. Dudas". The signature is written in a cursive style with a large, looped initial "J".

JON W. DUDAS
Director of the United States Patent and Trademark Office