

US00D562439S

(12) **United States Design Patent**
Hawkins

(10) **Patent No.:** **US D562,439 S**

(45) **Date of Patent:** **** Feb. 19, 2008**

(54) **COMMODE WITH GRAVITY REMOVAL OF LIQUID WASTE WITHOUT FLUSHING**

4,409,989 A * 10/1983 Larribas 4/144.1

* cited by examiner

(75) **Inventor:** **Ronald E. Hawkins**, P.O. Box 404,
Montgomery, TX (US) 77356

Primary Examiner—Robert A. Delehanty

(73) **Assignee:** **Ronald E. Hawkins**, Montgomery, TX
(US)

(57) **CLAIM**

(**) **Term:** **14 Years**

I claim the ornamental design of a commode with gravity removal of liquid waste without flushing.

(21) **Appl. No.:** **29/268,767**

DESCRIPTION

(22) **Filed:** **Nov. 13, 2006**

FIG. 1 shows a top view of the commode with gravity removal of liquid waste without flushing showing my new design, the characteristic feature of which resides in a commode that has a small reservoir near the top left of the commode bowl with a small tube running through the bowl exit and up and over the exit pipe until the tube is past the liquid seal and into the sewer pipe. The removal is automatic and maintenance free; and,

(51) **LOC (8) Cl.** **23-02**

(52) **U.S. Cl.** **D23/295**

(58) **Field of Classification Search** D23/273-274,
D23/295-301, 303, 309; 4/663-665, 300,
4/329, 420, 443, 661, 905, DIG. 11, DIG. 12
See application file for complete search history.

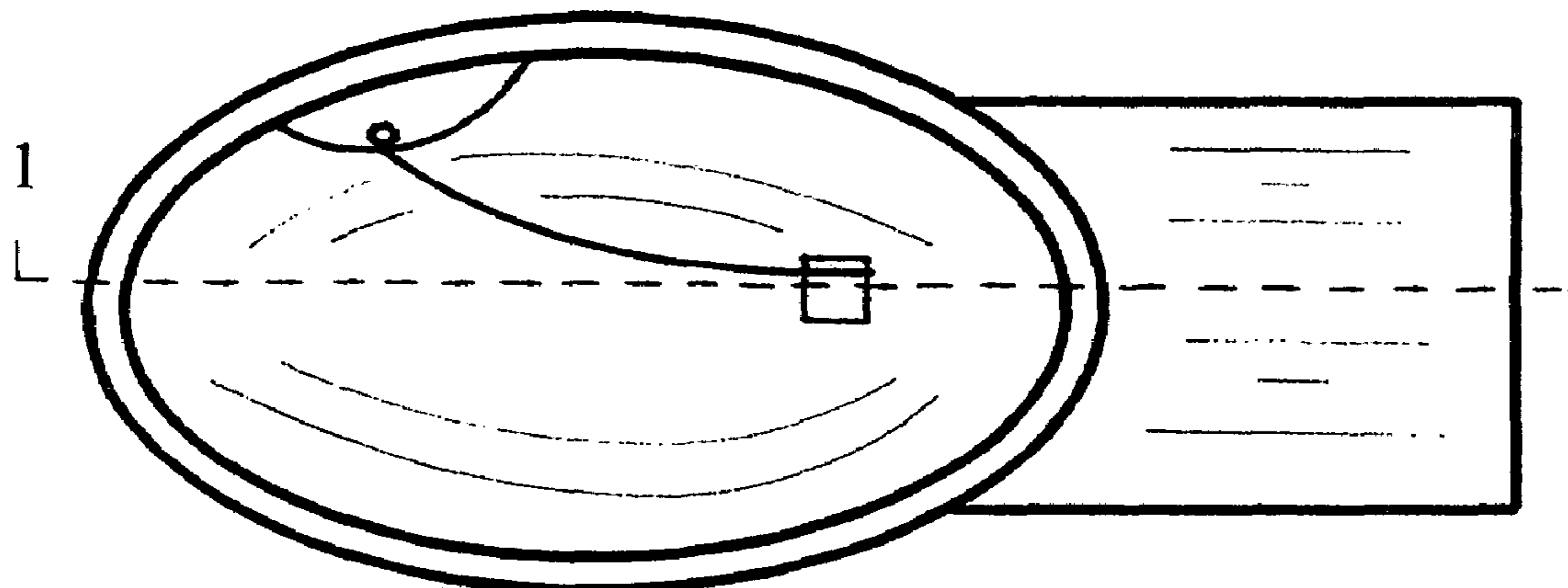
FIG. 2 is a cut away of the section view showing the location of the reservoir and the tube running down and out of the commode past the water seal point, thereof.

(56) **References Cited**

U.S. PATENT DOCUMENTS

2,426,303 A * 8/1947 Graber D23/309

1 Claim, 1 Drawing Sheet



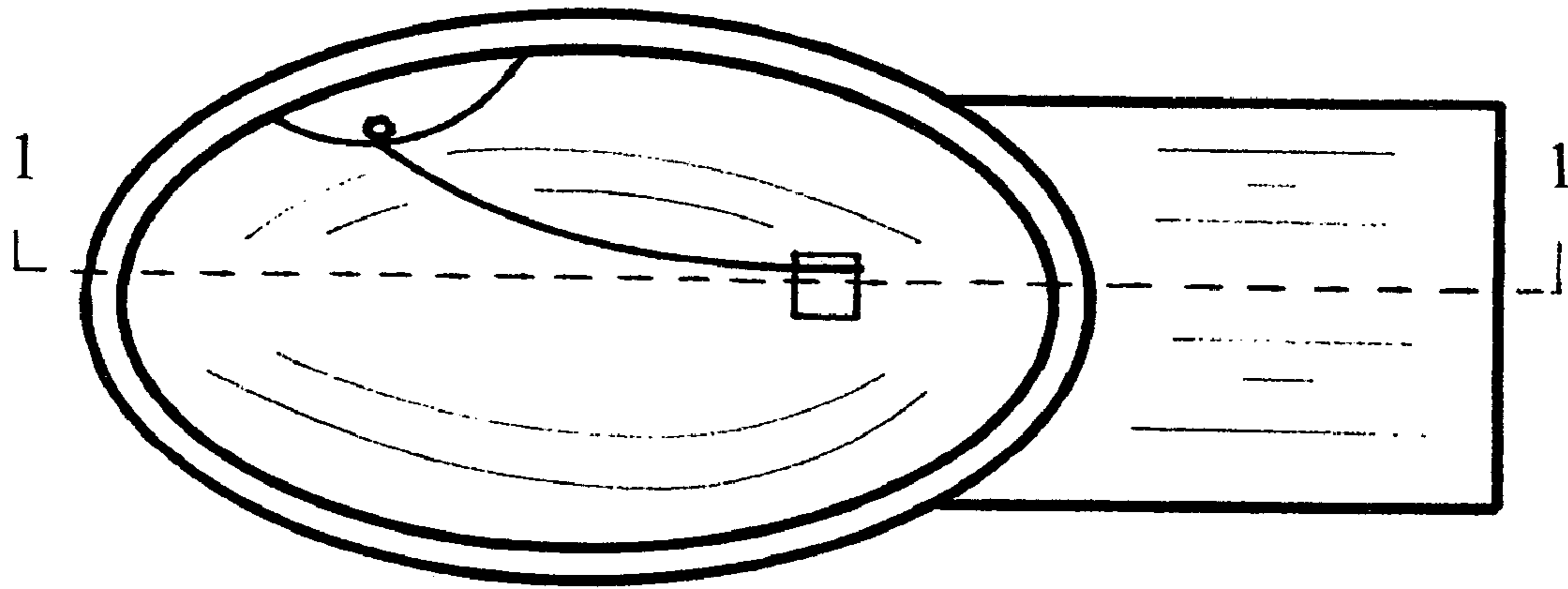


FIG 1

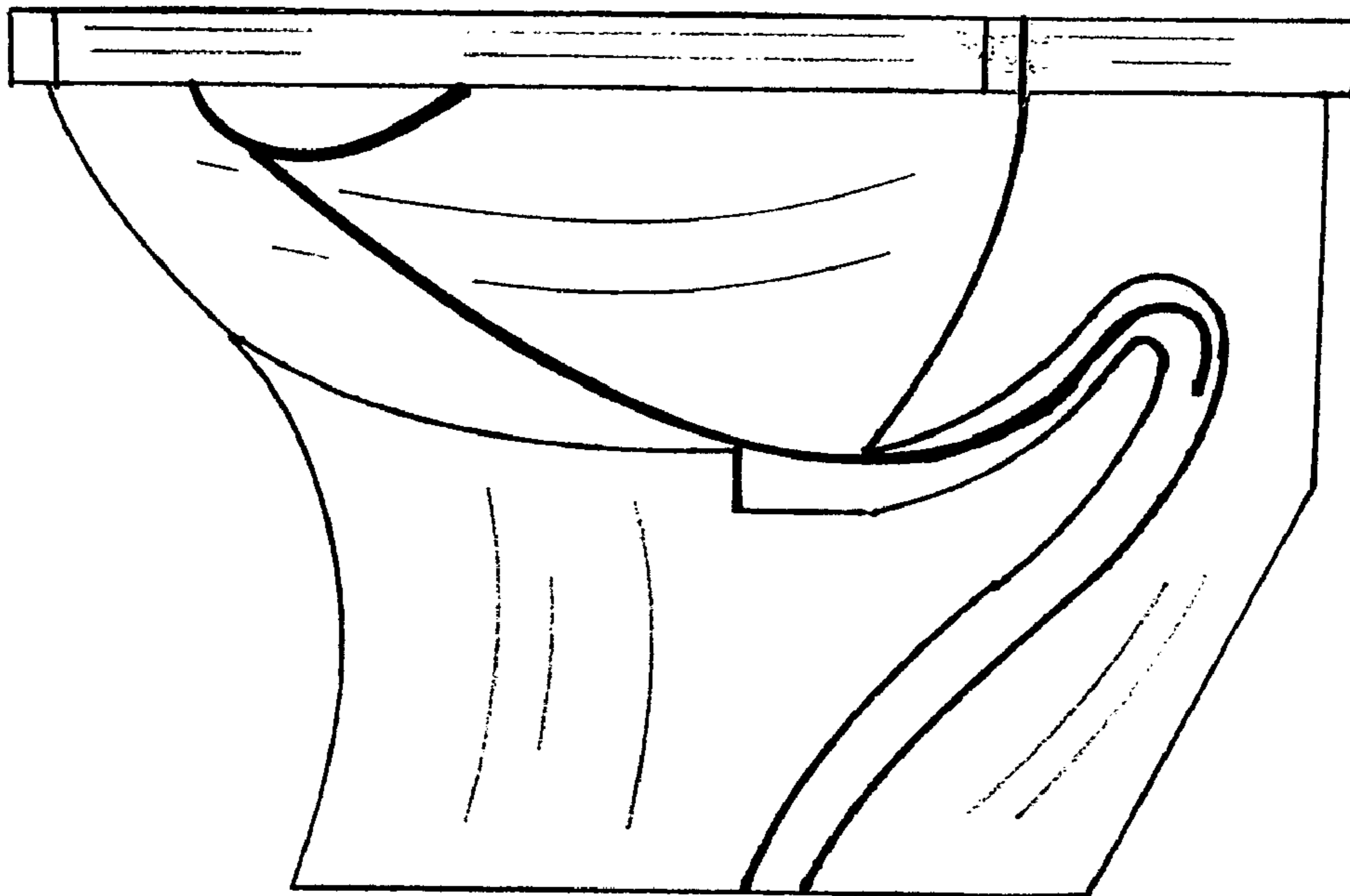


FIG 2