



US00D562437S

(12) **United States Design Patent**
Jaeb

(10) **Patent No.:** **US D562,437 S**

(45) **Date of Patent:** **** Feb. 19, 2008**

(54) **HANDLE**

(75) Inventor: **Michael S. Jaeb**, Millersburg, OH (US)

(73) Assignee: **Moen Incorporated**, North Olmsted, OH (US)

(**) Term: **14 Years**

(21) Appl. No.: **29/265,413**

(22) Filed: **Aug. 31, 2006**

(51) **LOC (8) Cl.** **23-01**

(52) **U.S. Cl.** **D23/252**

(58) **Field of Classification Search** D23/238-257;
D8/250-257, 300-322, DIG. 3; 16/110.1;
4/675-678; 137/801

See application file for complete search history.

(56) **References Cited**

U.S. PATENT DOCUMENTS

D87,830 S *	9/1932	Ferguson	D23/252
1,924,943 A	8/1933	Kersten		
2,348,238 A	5/1944	Beeke et al.		
D138,322 S	7/1944	Melichar		
D141,187 S	5/1945	Stanitz		
D145,604 S	9/1946	Rausch		
2,538,835 A	1/1951	Harvey et al.		
D175,819 S	10/1955	Young		
D190,897 S *	7/1961	Chapman	D23/252
D191,854 S	11/1961	Franck		
D208,140 S	7/1967	Adams		
4,761,839 A	8/1988	Ganaway		
D324,724 S	3/1992	Lang et al.		
D325,622 S	4/1992	Bengtson		

D331,964 S	12/1992	Hengesbach		
D398,040 S	9/1998	Ko		
D426,289 S	6/2000	Levine		
D471,259 S *	3/2003	Kirkpatrick et al.	D23/252
D476,065 S	6/2003	Smith		
D512,484 S	12/2005	Paini		
D530,399 S *	10/2006	Blomstrom	D23/252
2004/0221385 A1	11/2004	Su		

* cited by examiner

Primary Examiner—Ian Simmons

Assistant Examiner—Gregory Andoll

(74) *Attorney, Agent, or Firm*—Calfee, Halter & Griswold LLP

(57) **CLAIM**

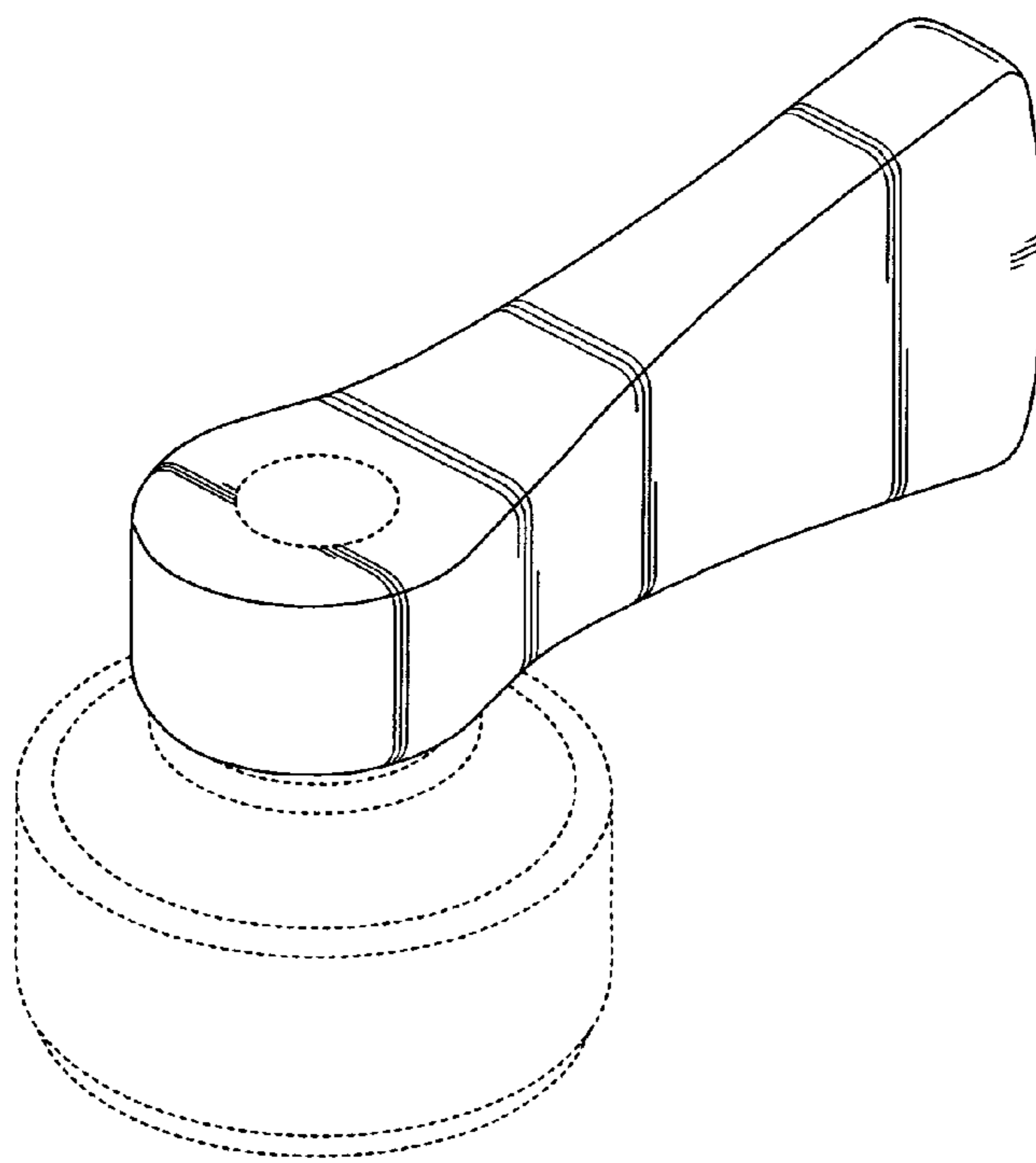
The ornamental design for a handle, as shown and described.

DESCRIPTION

FIG. 1 is a perspective view of a handle of the new design; FIG. 2 is a front elevational view of the handle of FIG. 1; FIG. 3 is a rear elevational view of the handle of FIG. 1; FIG. 4 is a left side elevational view of the handle of FIG. 1; FIG. 5 is a right side elevational view of the handle of FIG. 1; FIG. 6 is a top plan view of the handle of FIG. 1; and, FIG. 7 is a bottom plan view of the handle of FIG. 1.

The portions of the Figures shown in broken lines are not part of the claimed design and are for illustration only.

1 Claim, 3 Drawing Sheets



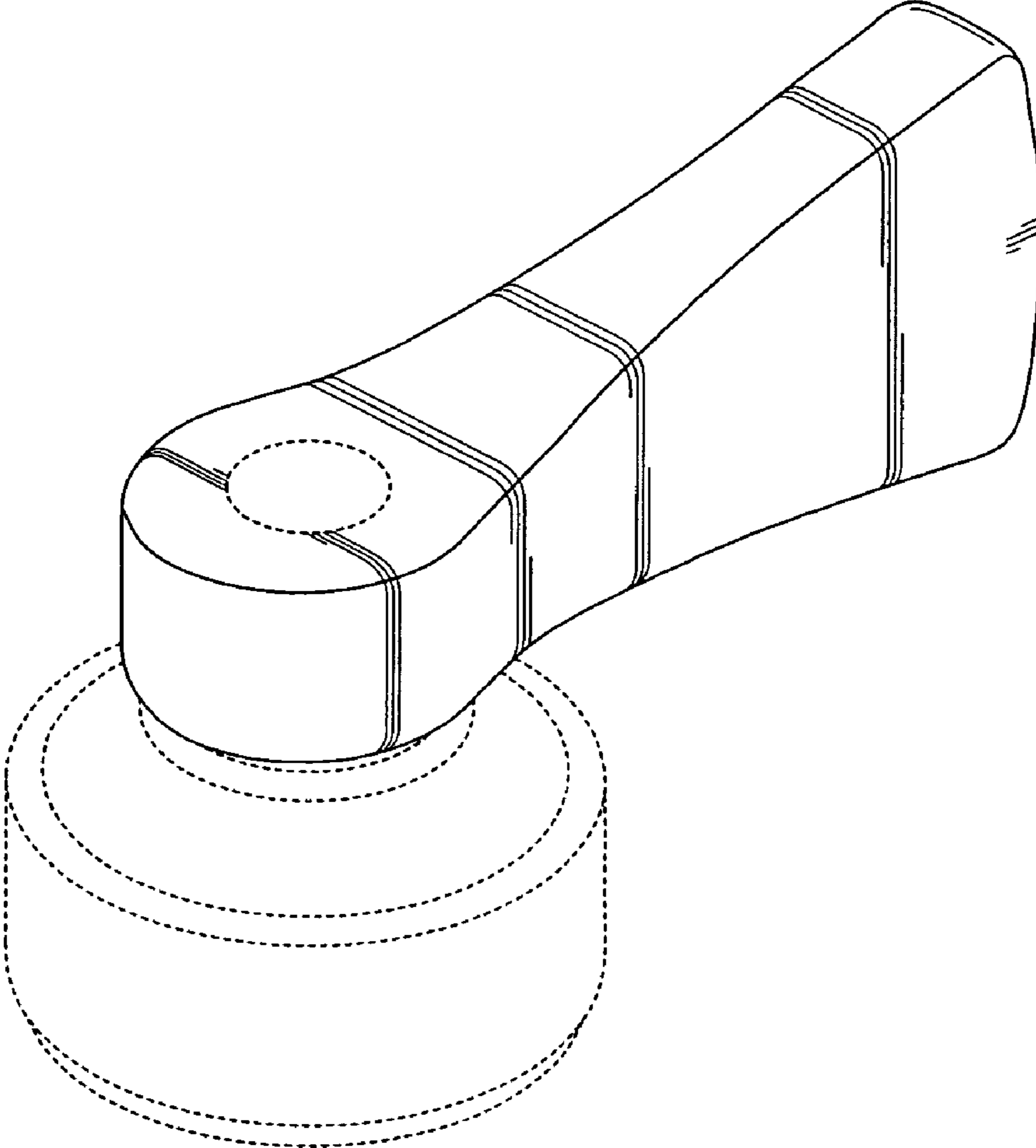


FIG. 1

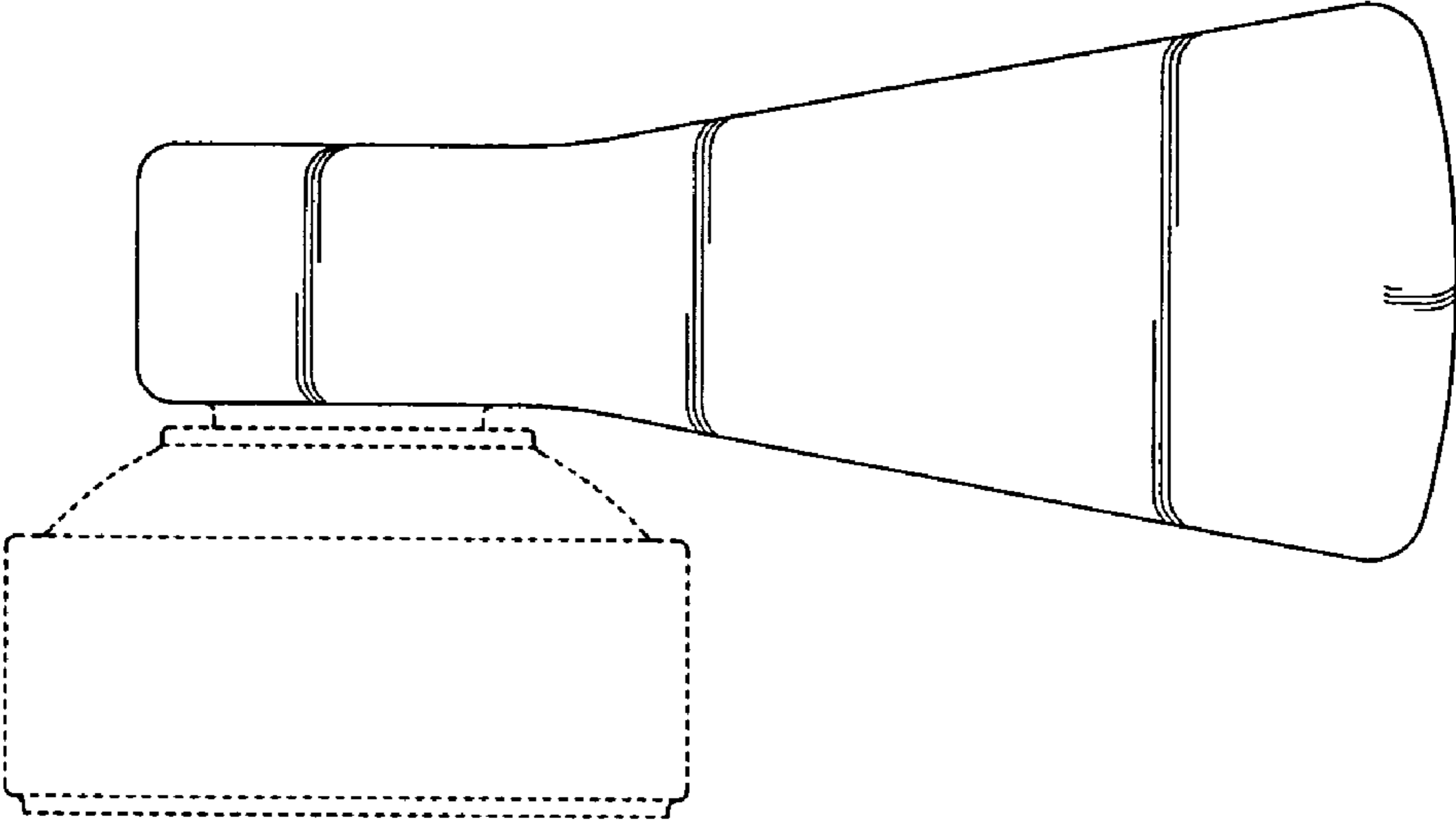


FIG. 2

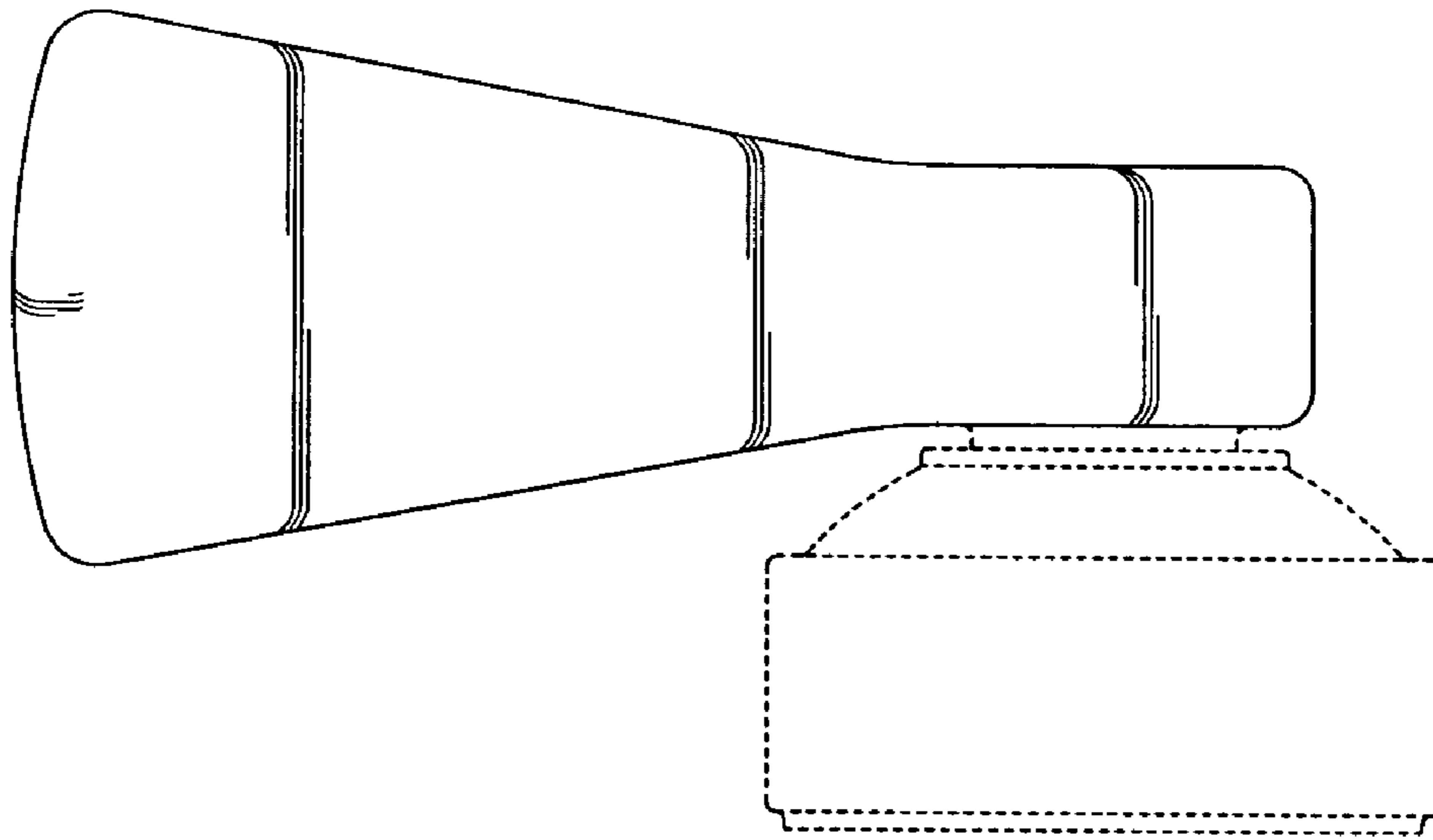


FIG. 3

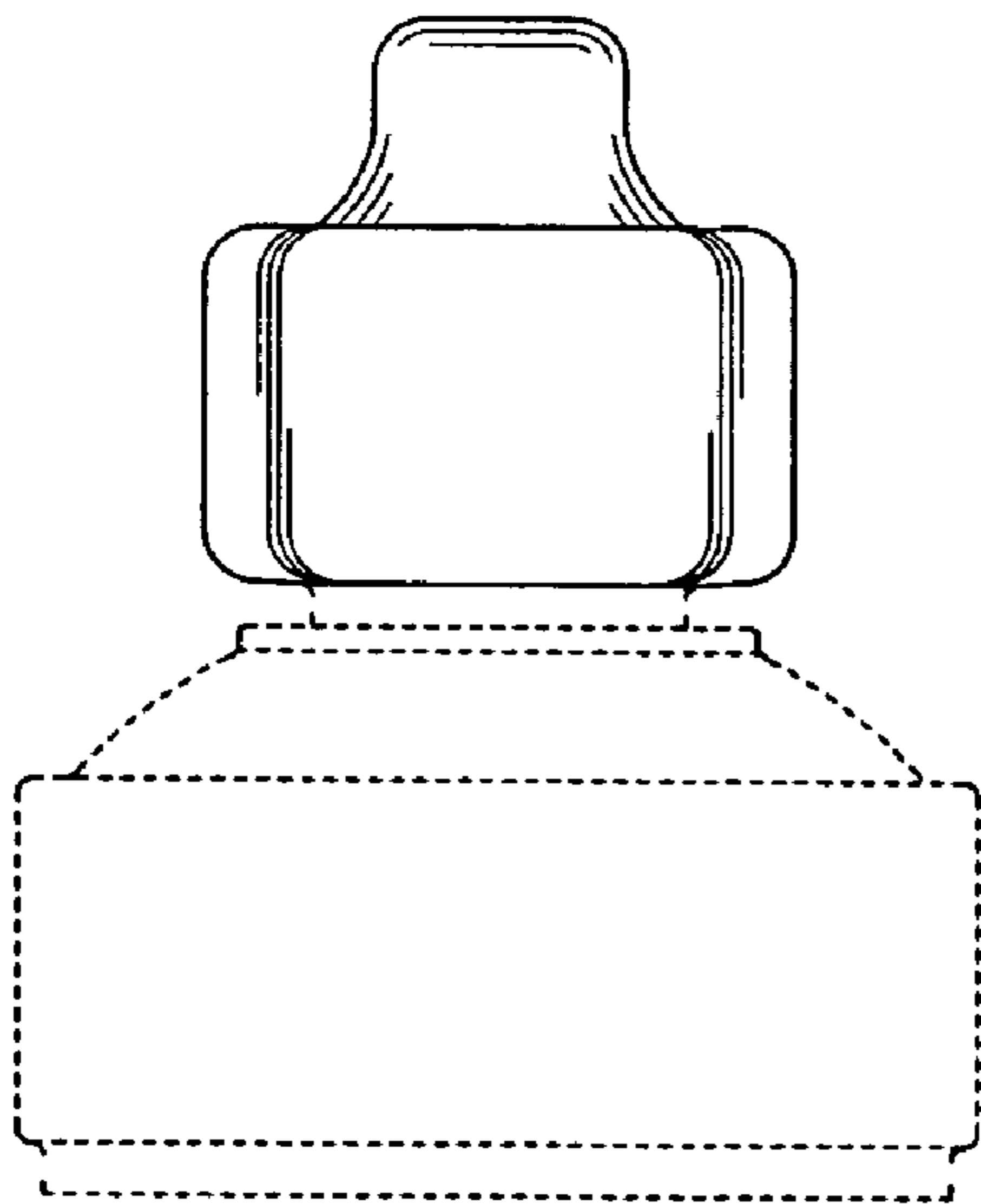


FIG. 4

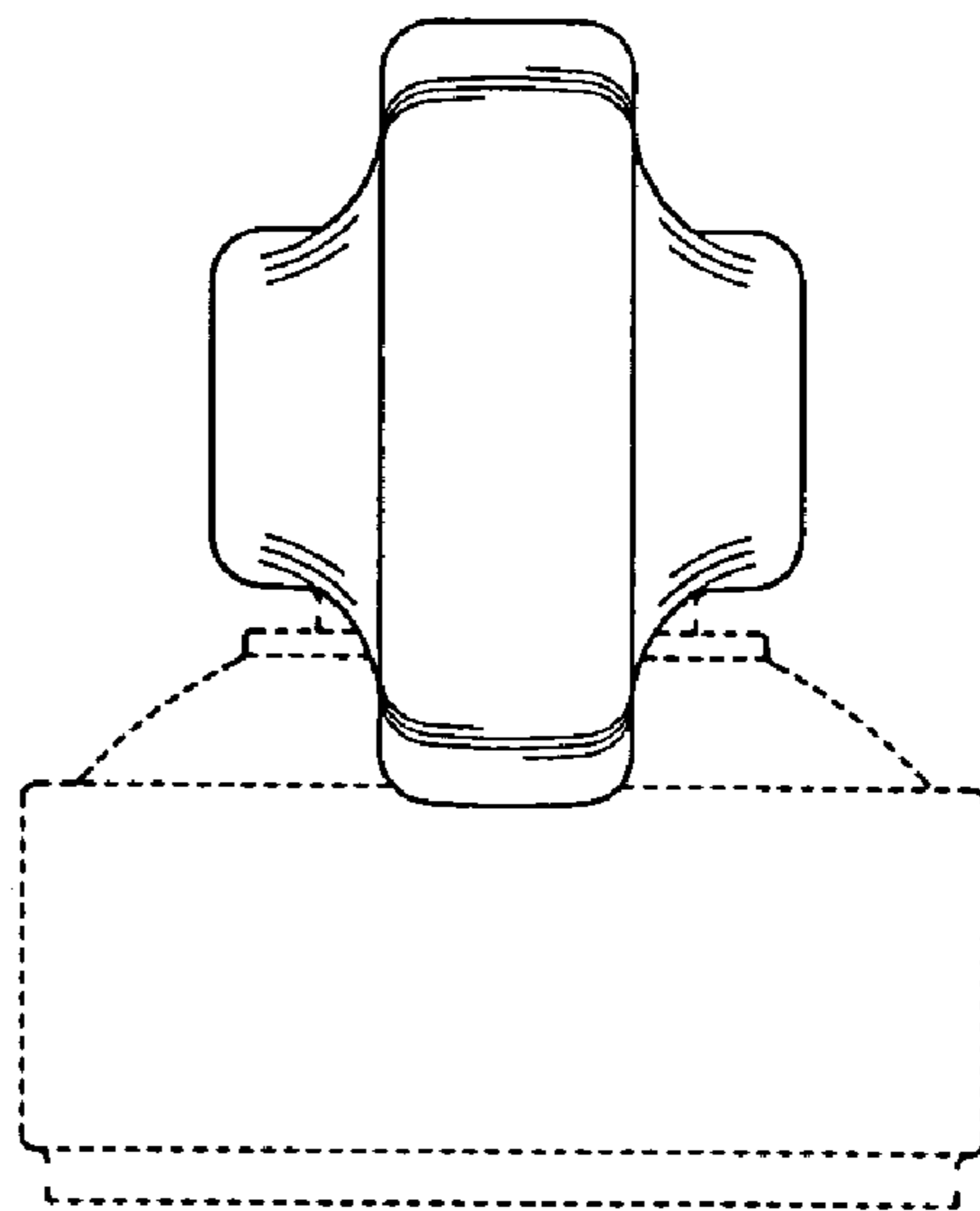


FIG. 5

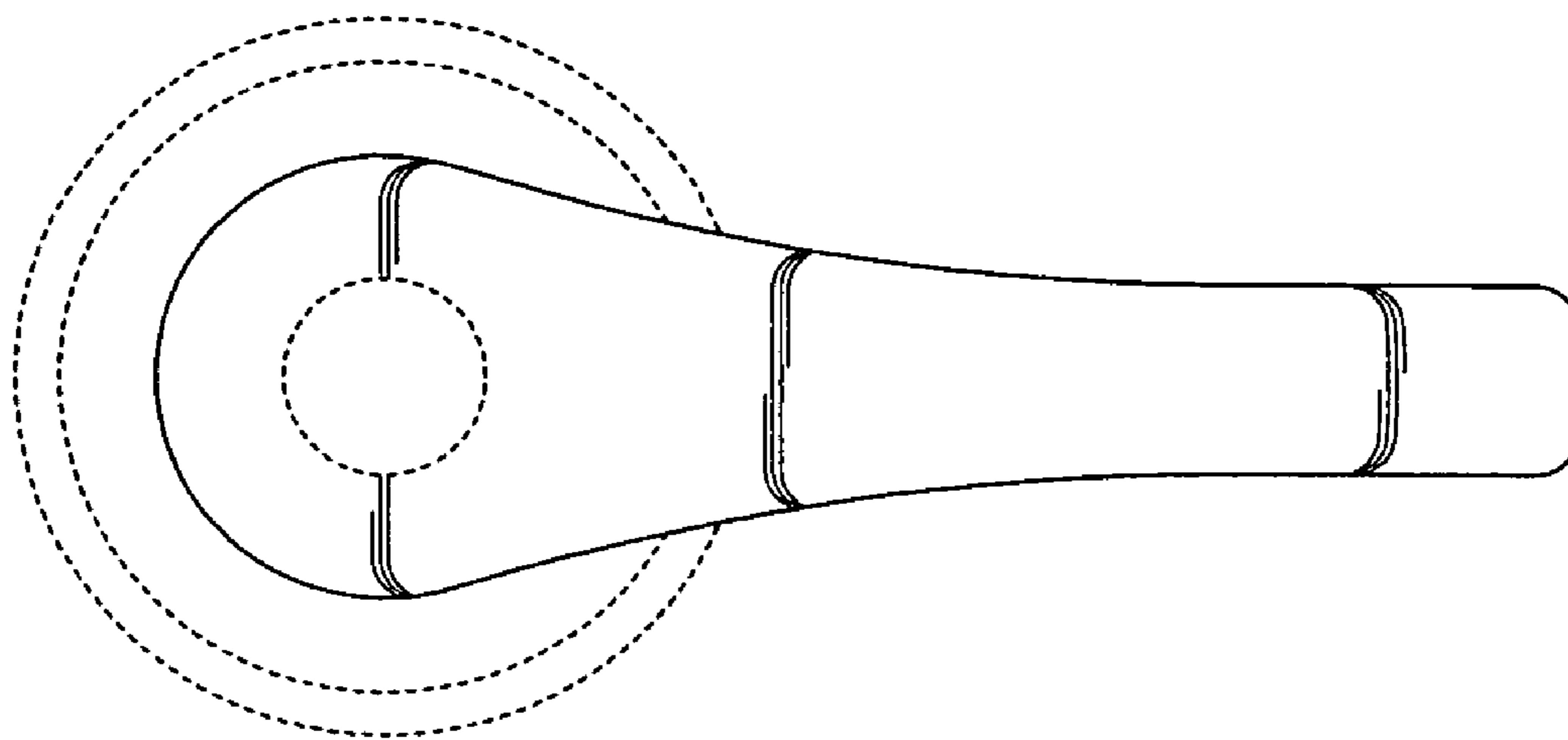


FIG. 6

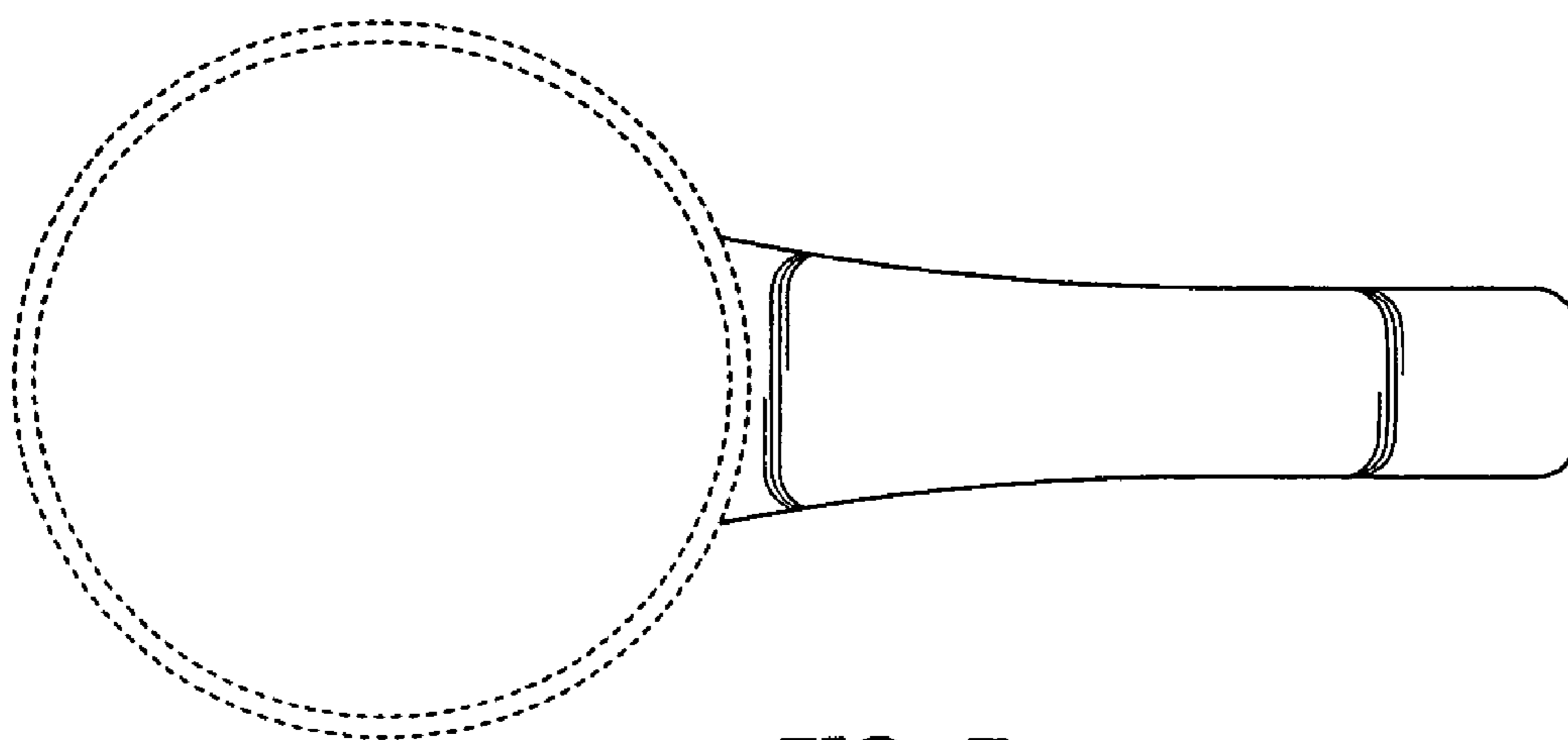


FIG. 7