

US00D562436S

(12) **United States Design Patent**  
**Kato et al.**

(10) **Patent No.:** **US D562,436 S**

(45) **Date of Patent:** **\*\* Feb. 19, 2008**

(54) **FLOW CONTROL VALVE**

(75) Inventors: **Hisataka Kato**, Tsukubamirai (JP);  
**Shinichi Yoshimura**, Tsukubamirai (JP)

(73) Assignee: **SMC Corporation**, Chiyoda-ku, Tokyo  
(JP)

(\*\*) Term: **14 Years**

(21) Appl. No.: **29/270,756**

(22) Filed: **Jan. 3, 2007**

(30) **Foreign Application Priority Data**

Jul. 7, 2006 (JP) ..... 2006-018077

(51) **LOC (8) Cl.** ..... **23-01**

(52) **U.S. Cl.** ..... **D23/233**

(58) **Field of Classification Search** ..... D23/233-237,  
D23/244-249; 251/309, 368, 62, 63, 63.5,  
251/129.1, 129.16-129.18; 137/498, 545,  
137/547, 549, 377

See application file for complete search history.

(56) **References Cited**

**U.S. PATENT DOCUMENTS**

D439,633 S \* 3/2001 Ikeo et al. .... D23/233  
6,837,271 B1 \* 1/2005 Saint ..... 137/624.12

7,069,947 B2 \* 7/2006 Maeda et al. .... 137/549  
D539,386 S \* 3/2007 Hayashi et al. .... D23/233  
D542,382 S \* 5/2007 Cook et al. .... D23/233  
D542,888 S \* 5/2007 Ye et al. .... D23/233

\* cited by examiner

*Primary Examiner*—Ian Simmons

*Assistant Examiner*—Maurice Stevens

(74) *Attorney, Agent, or Firm*—Peter Ganjian

(57) **CLAIM**

The ornamental design for a flow control valve, as shown and described.

**DESCRIPTION**

FIG. 1 shows a front view of a flow control valve showing my new design;

FIG. 2 shows a rear view thereof;

FIG. 3 shows a top view thereof;

FIG. 4 shows a bottom view thereof;

FIG. 5 shows a left side view thereof;

FIG. 6 shows a right side view thereof;

FIG. 7 shows a perspective view thereof; and,

FIG. 8 shows a perspective view thereof.

**1 Claim, 4 Drawing Sheets**

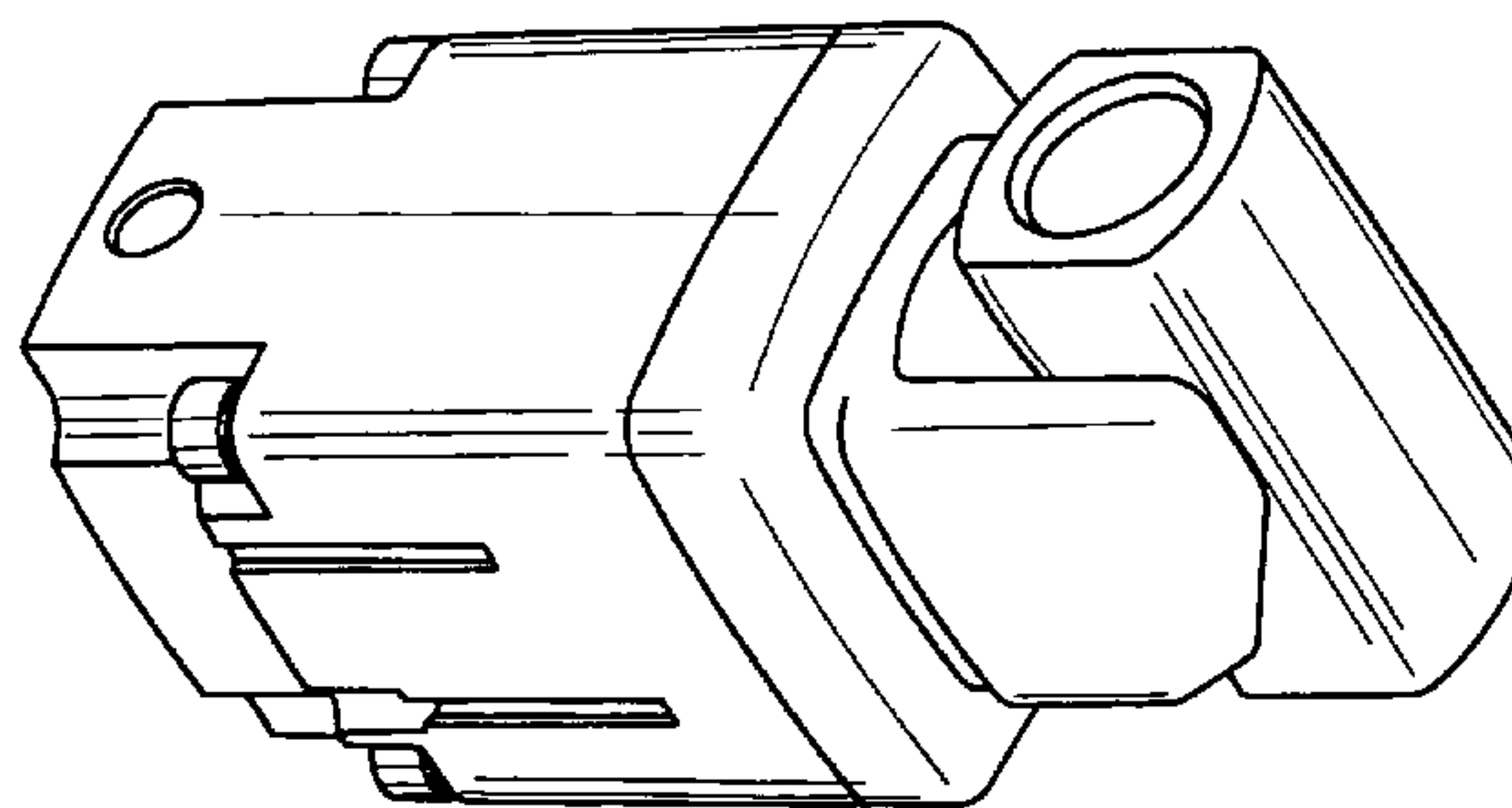
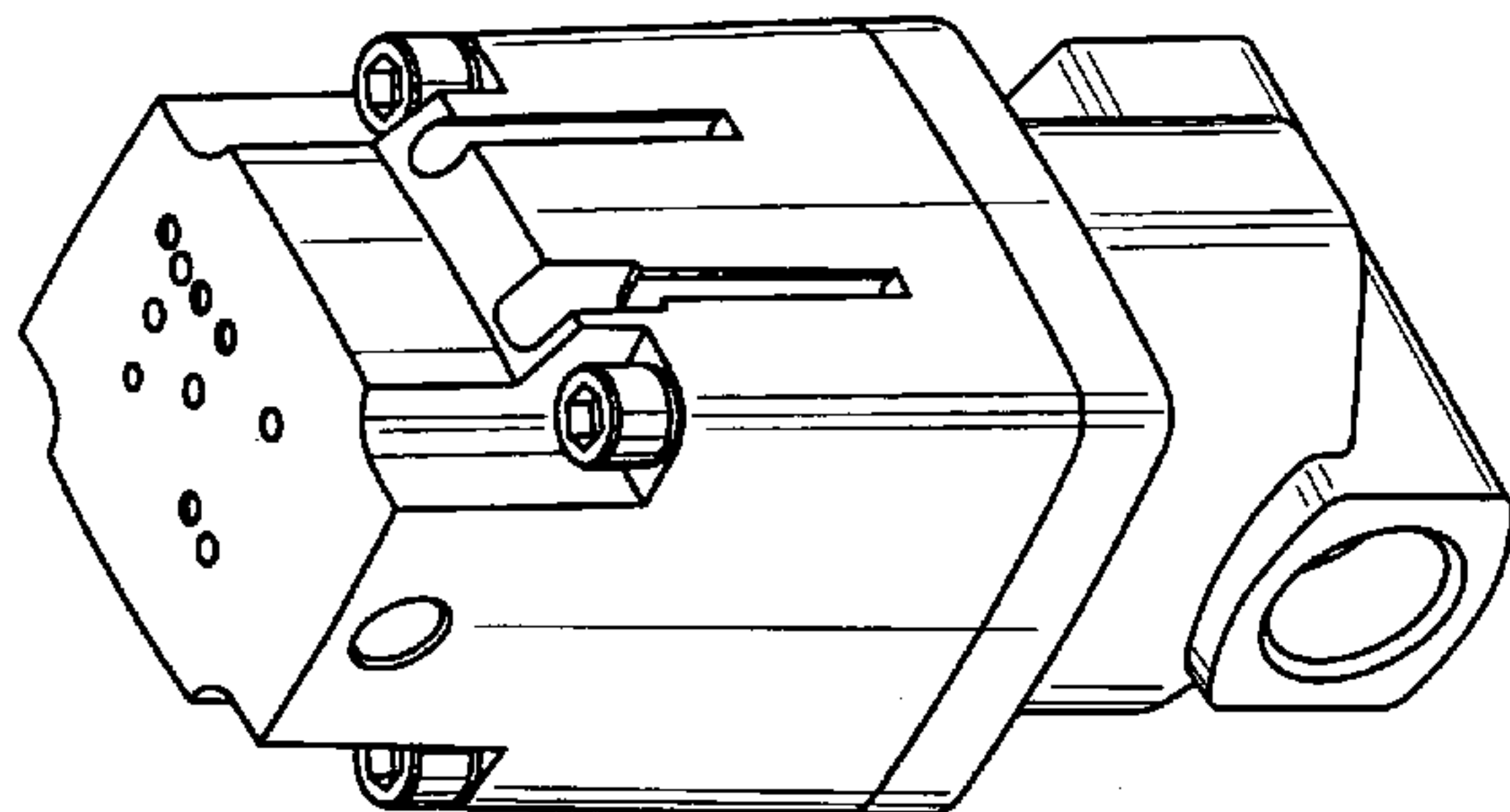


FIG. 1

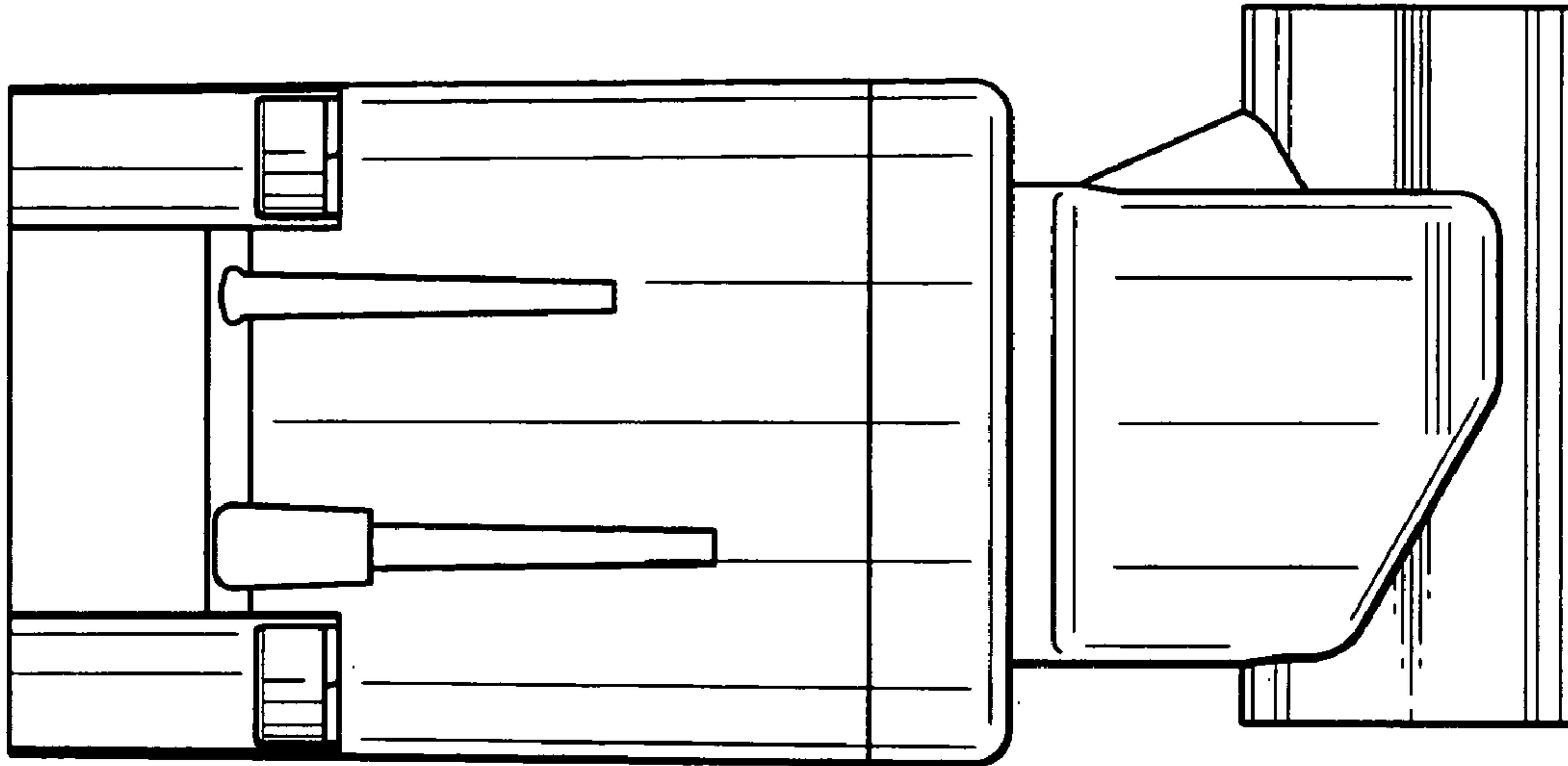


FIG. 2

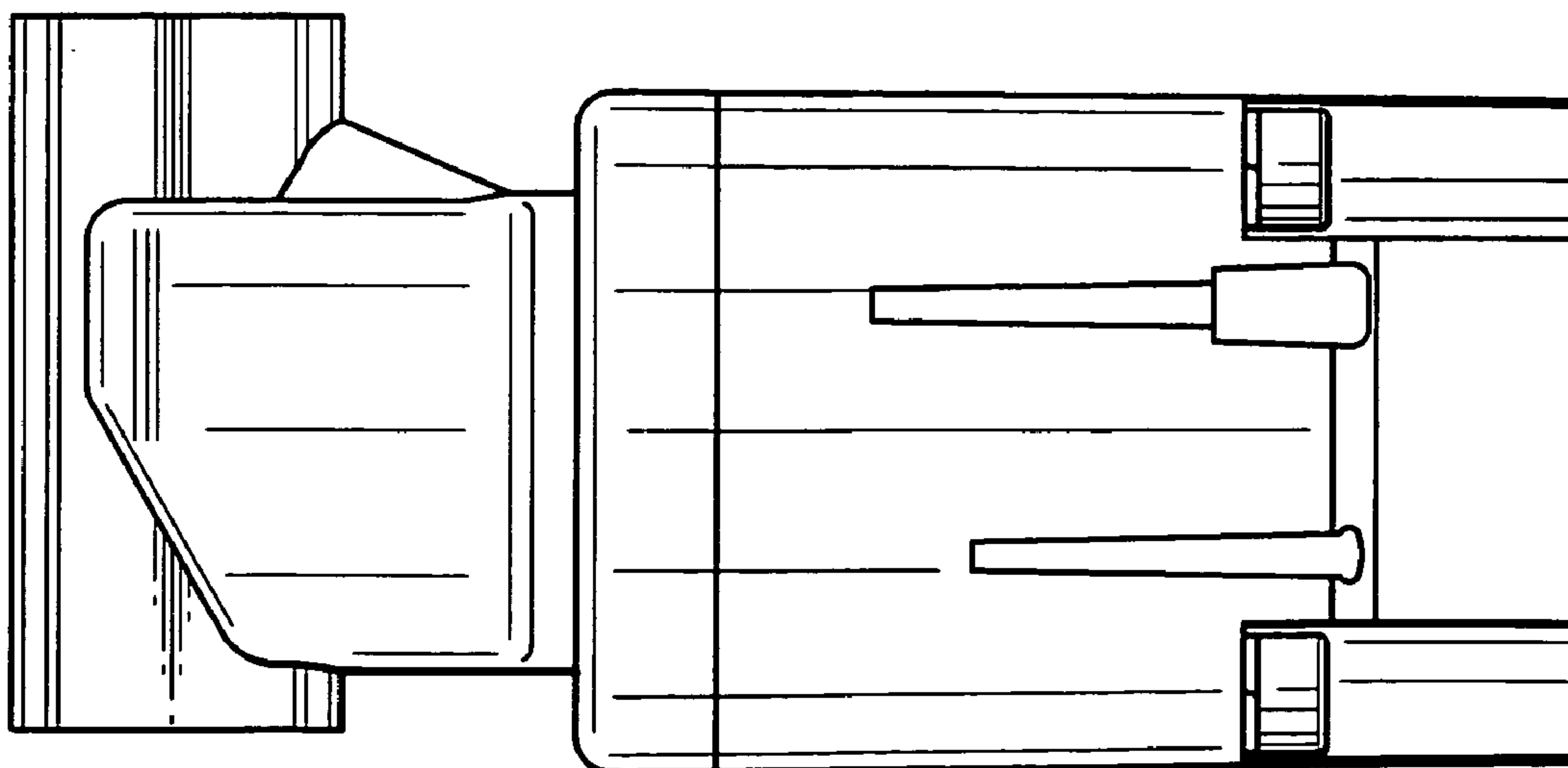


FIG. 3

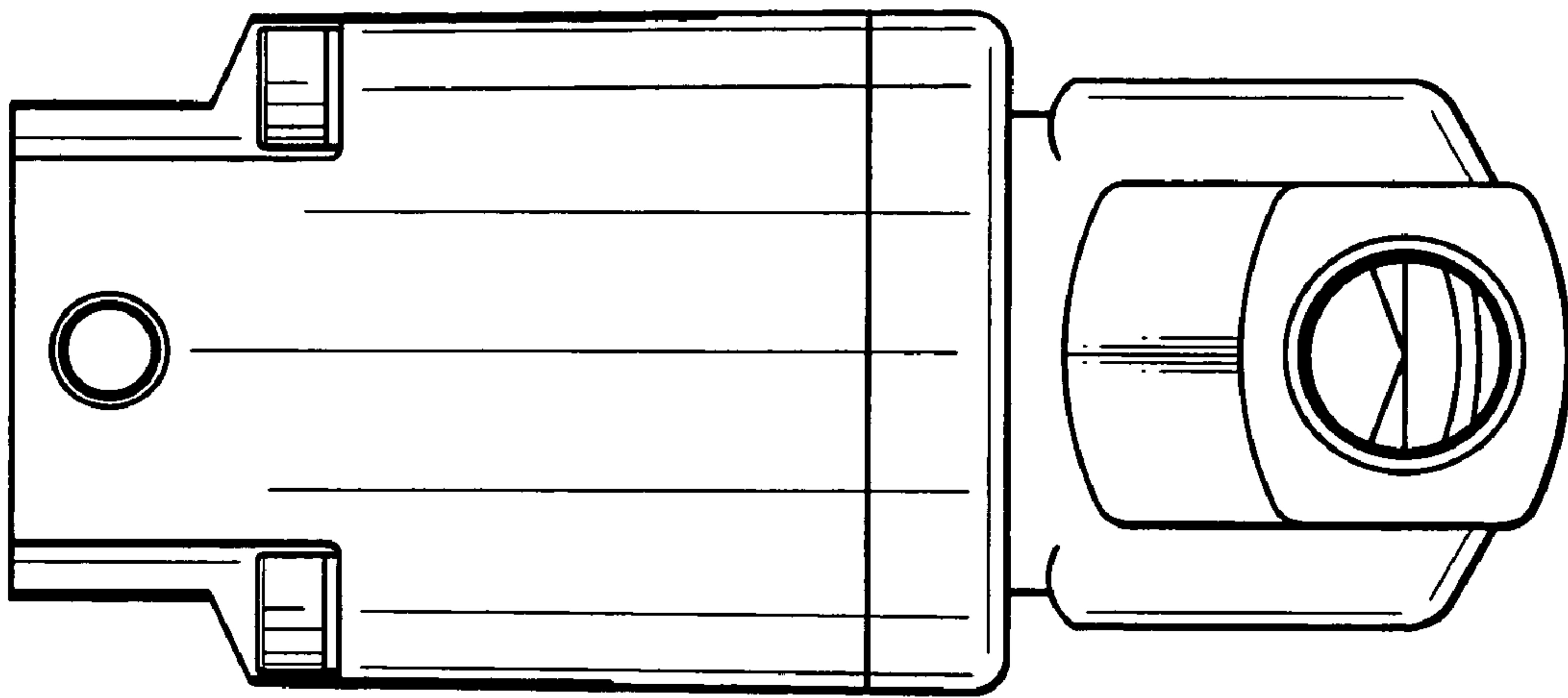


FIG. 4

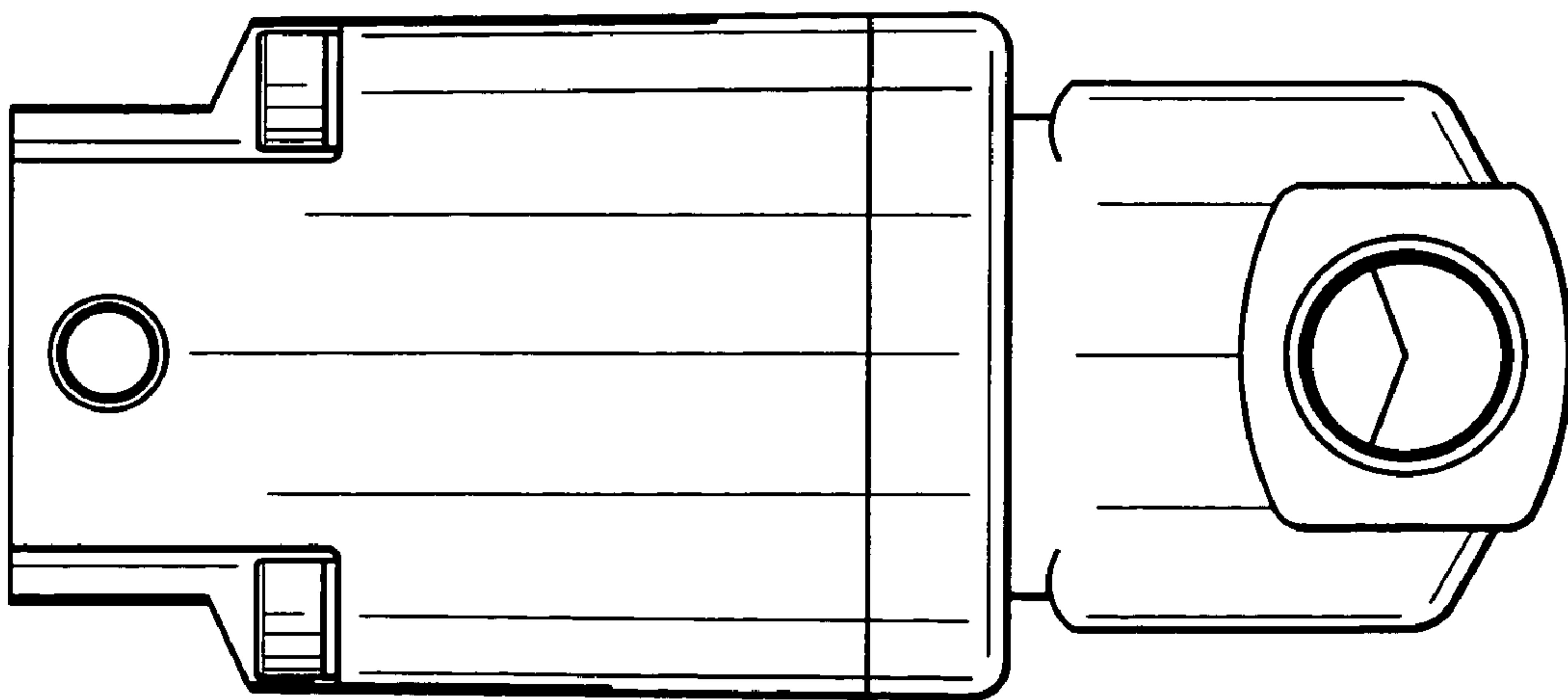


FIG. 5

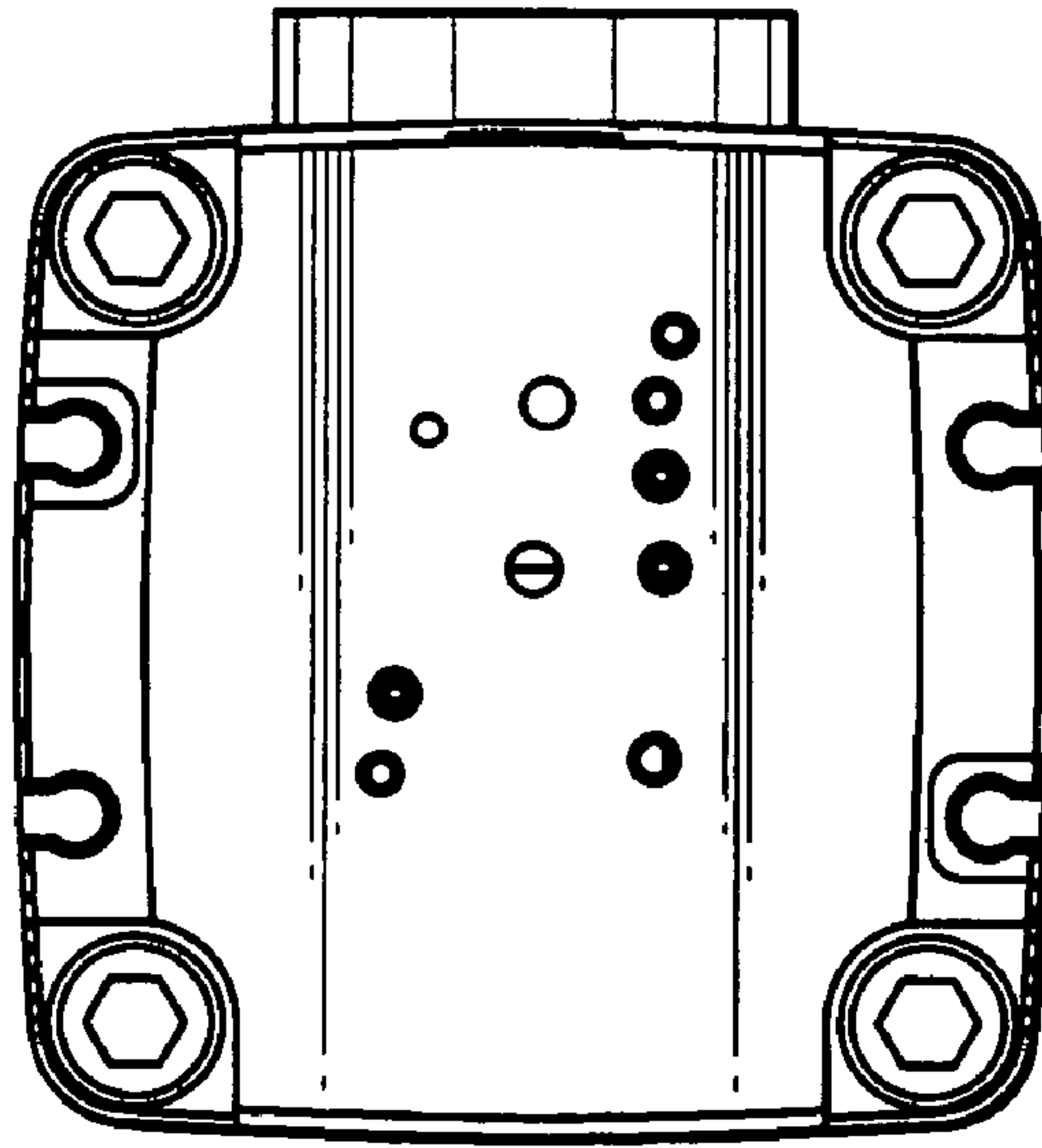


FIG. 6

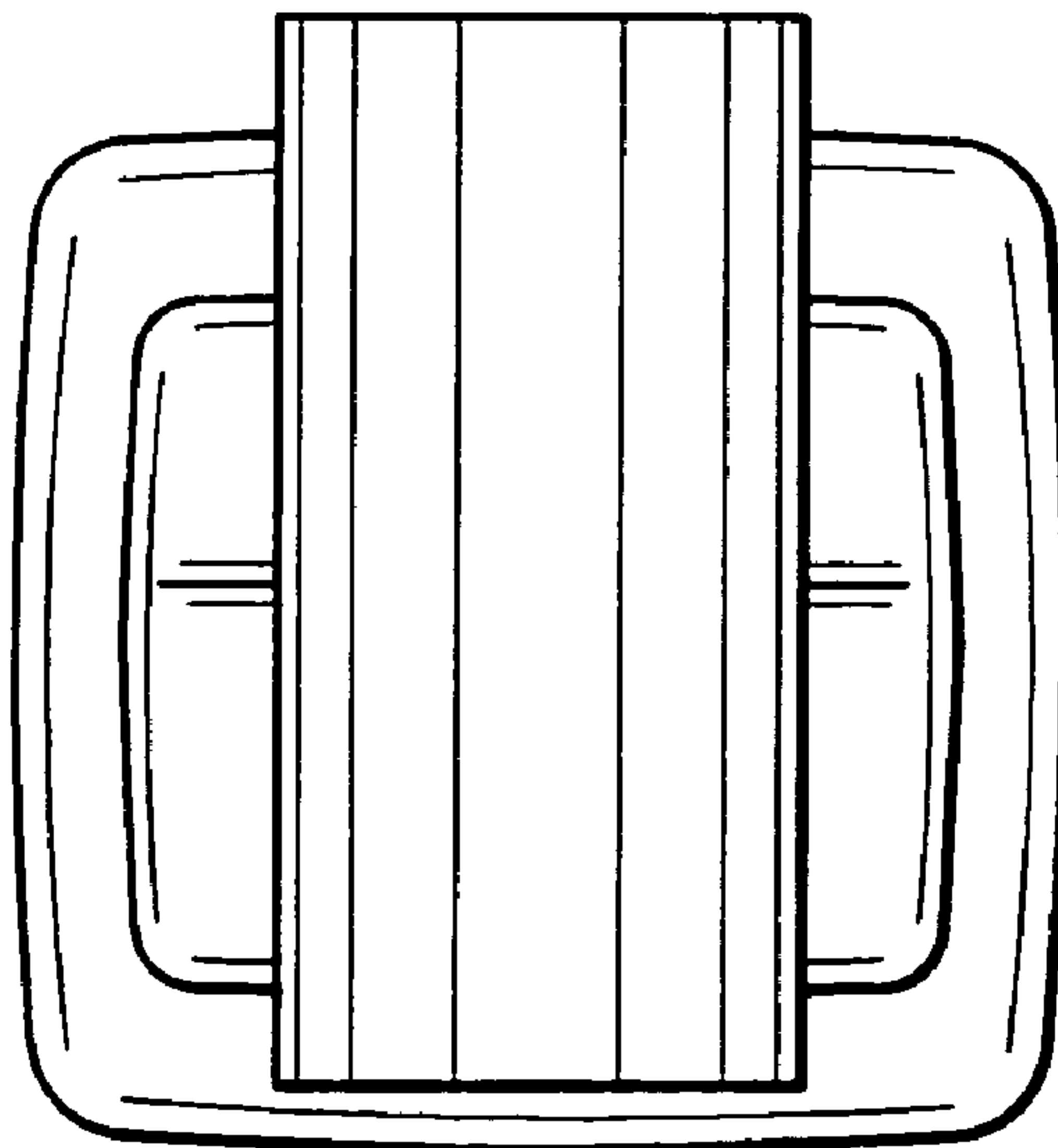


FIG. 7

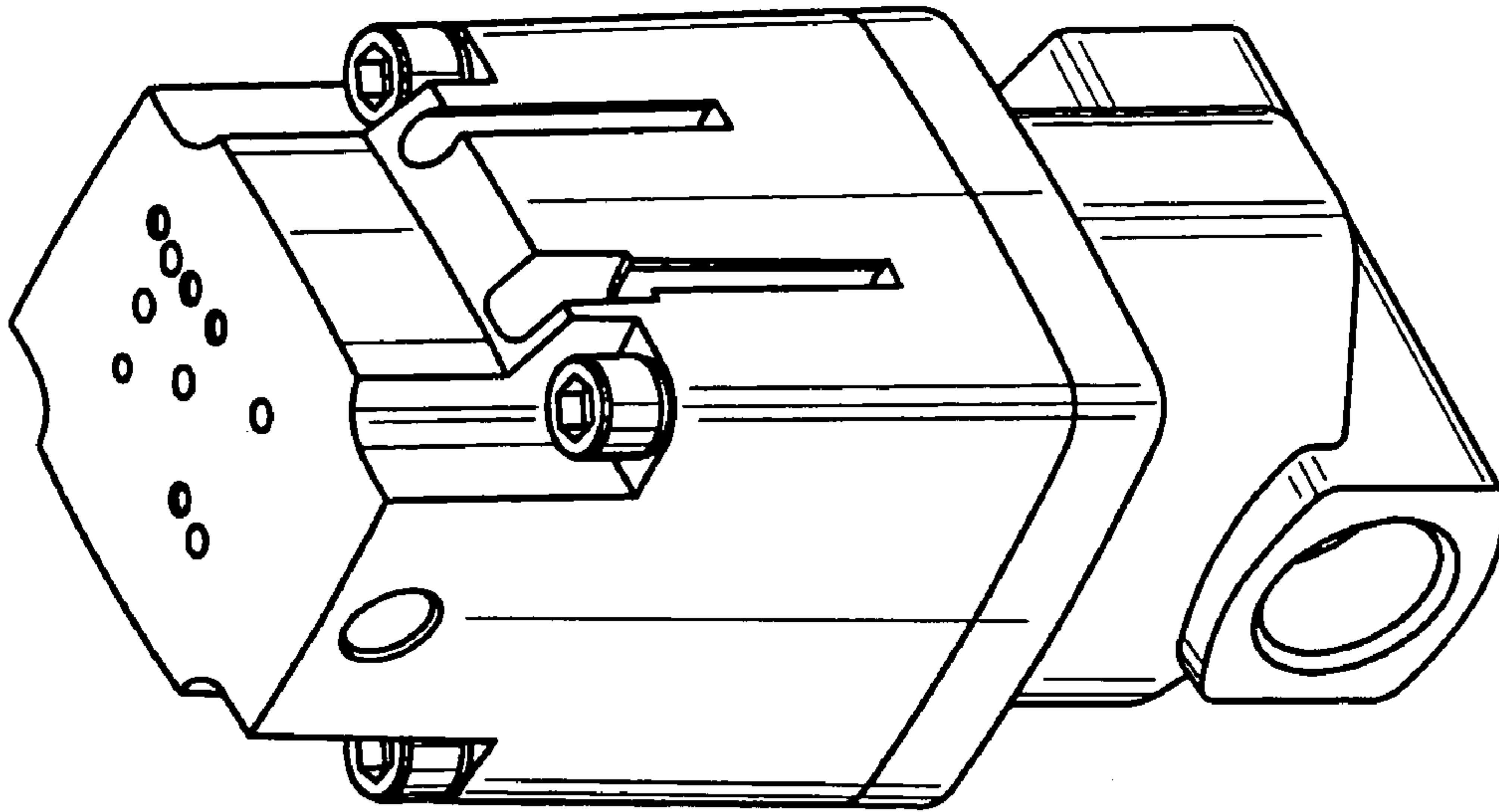


FIG. 8

