

US00D562434S

(12) **United States Design Patent**
Kroll

(10) **Patent No.:** **US D562,434 S**
(45) **Date of Patent:** **** Feb. 19, 2008**

(54) **FLUID DISTRIBUTION EQUIPMENT**

(75) Inventor: **Fredrik Kroll**, Skövde (SE)

(73) Assignee: **Bo Erik Nyberg**, Oberägeri (CH)

(**) Term: **14 Years**

(21) Appl. No.: **29/258,761**

(22) Filed: **Apr. 27, 2006**

(30) **Foreign Application Priority Data**

Nov. 1, 2005 (SE) 05-0658

(51) **LOC (8) Cl.** **23-01**

(52) **U.S. Cl.** **D23/225**

(58) **Field of Classification Search** D23/213,
D23/225; 417/411; 222/333; 239/337,
239/DIG. 14

See application file for complete search history.

(56) **References Cited**

U.S. PATENT DOCUMENTS

D102,467 S * 12/1936 Lindell D23/225

3,899,134 A * 8/1975 Wagner 239/332
5,931,207 A * 8/1999 Gianino 141/382
D519,603 S * 4/2006 Schumann et al. D23/225
7,182,280 B2 * 2/2007 Ye et al. 239/526

* cited by examiner

Primary Examiner—Robin V Webster

(74) *Attorney, Agent, or Firm*—Albihns AB

(57) **CLAIM**

The ornamental design for a fluid distribution equipment, as shown and described.

DESCRIPTION

FIG. 1 is a top perspective view of a fluid distribution equipment according to my new design;

FIG. 2 is a right side view thereof;

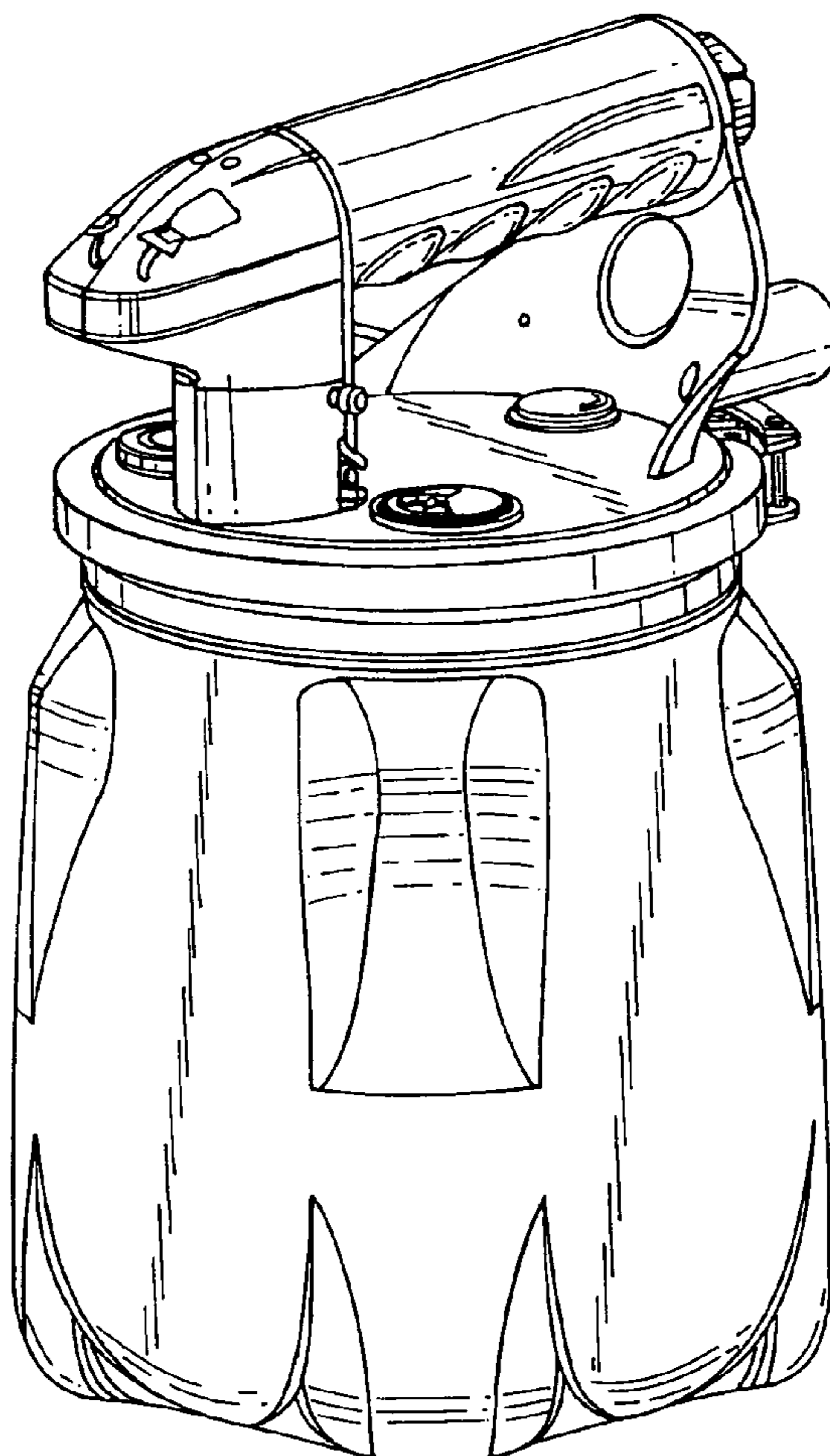
FIG. 3 is a front view thereof;

FIG. 4 is a rear view thereof;

FIG. 5 is a top plan view thereof; and,

FIG. 6 is a bottom plan view thereof.

1 Claim, 5 Drawing Sheets



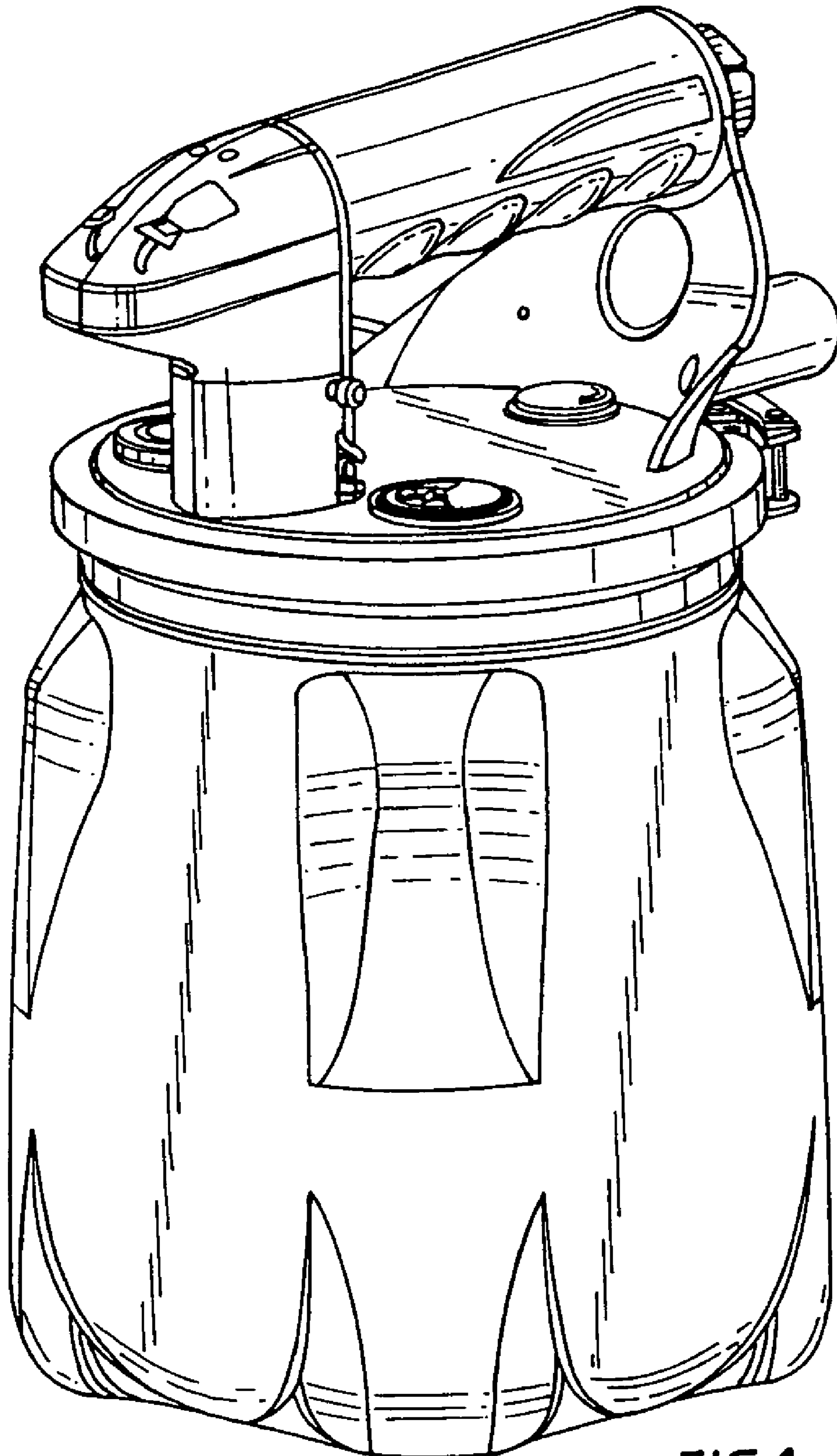


FIG.1

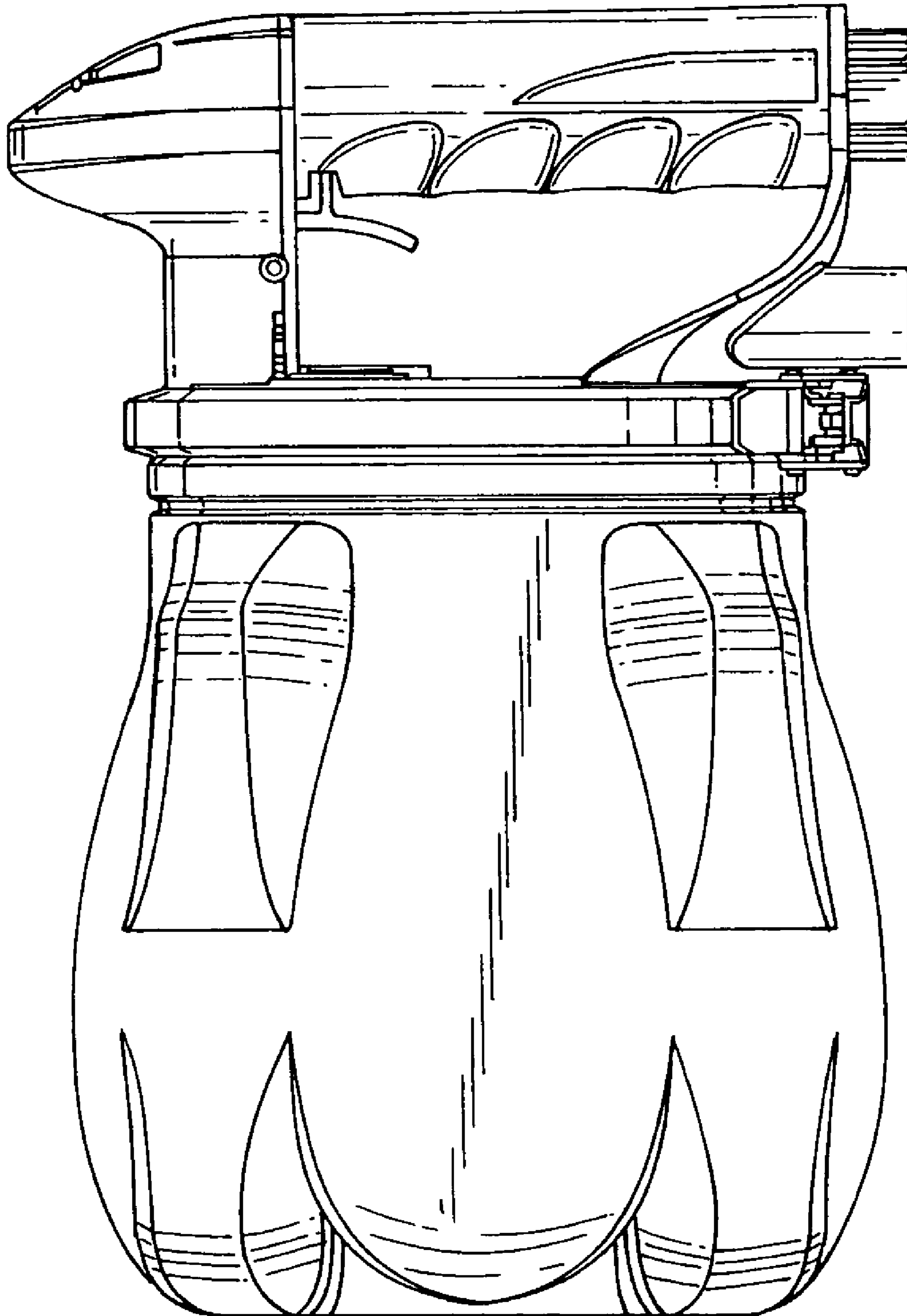


FIG. 2

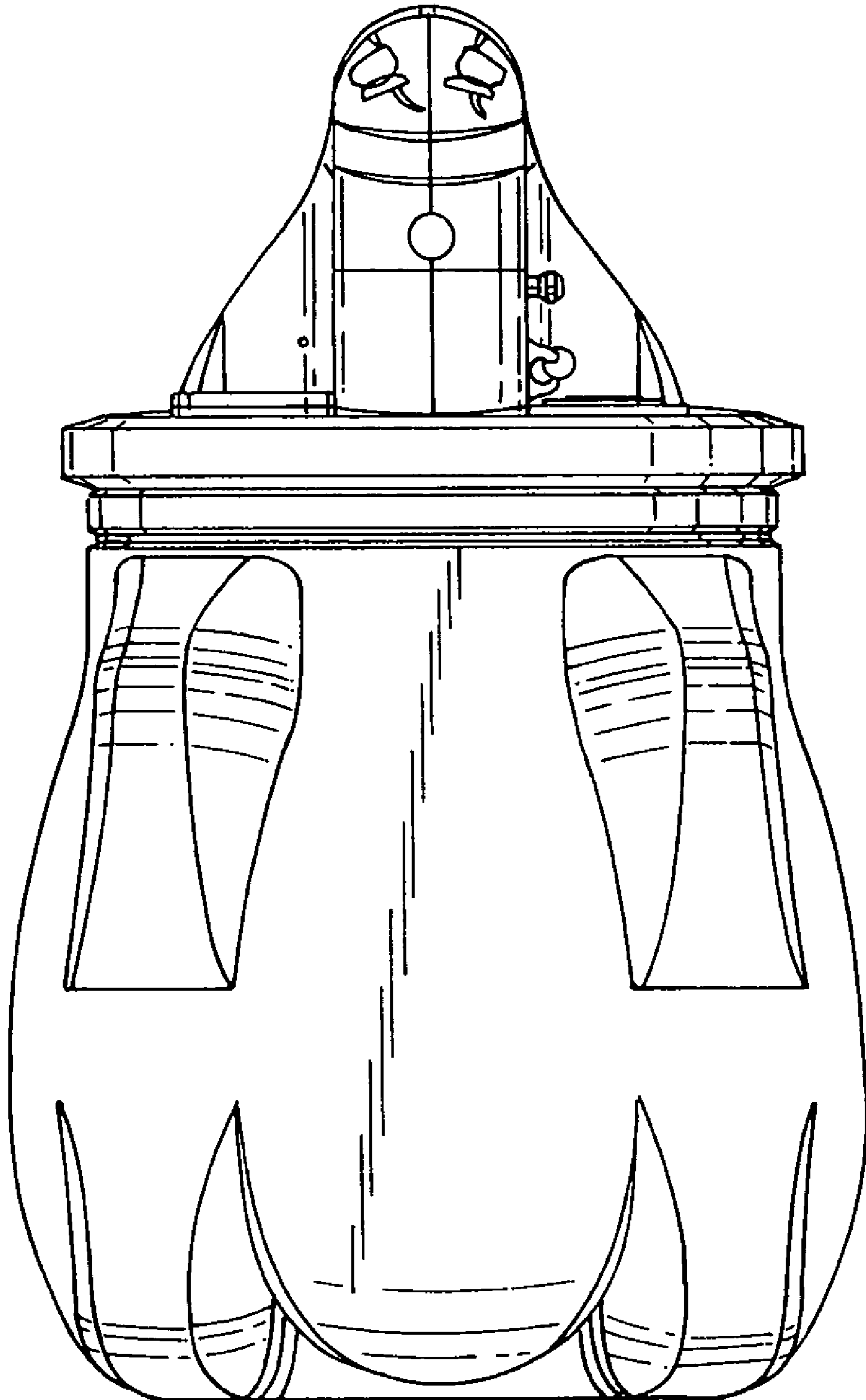


FIG. 3

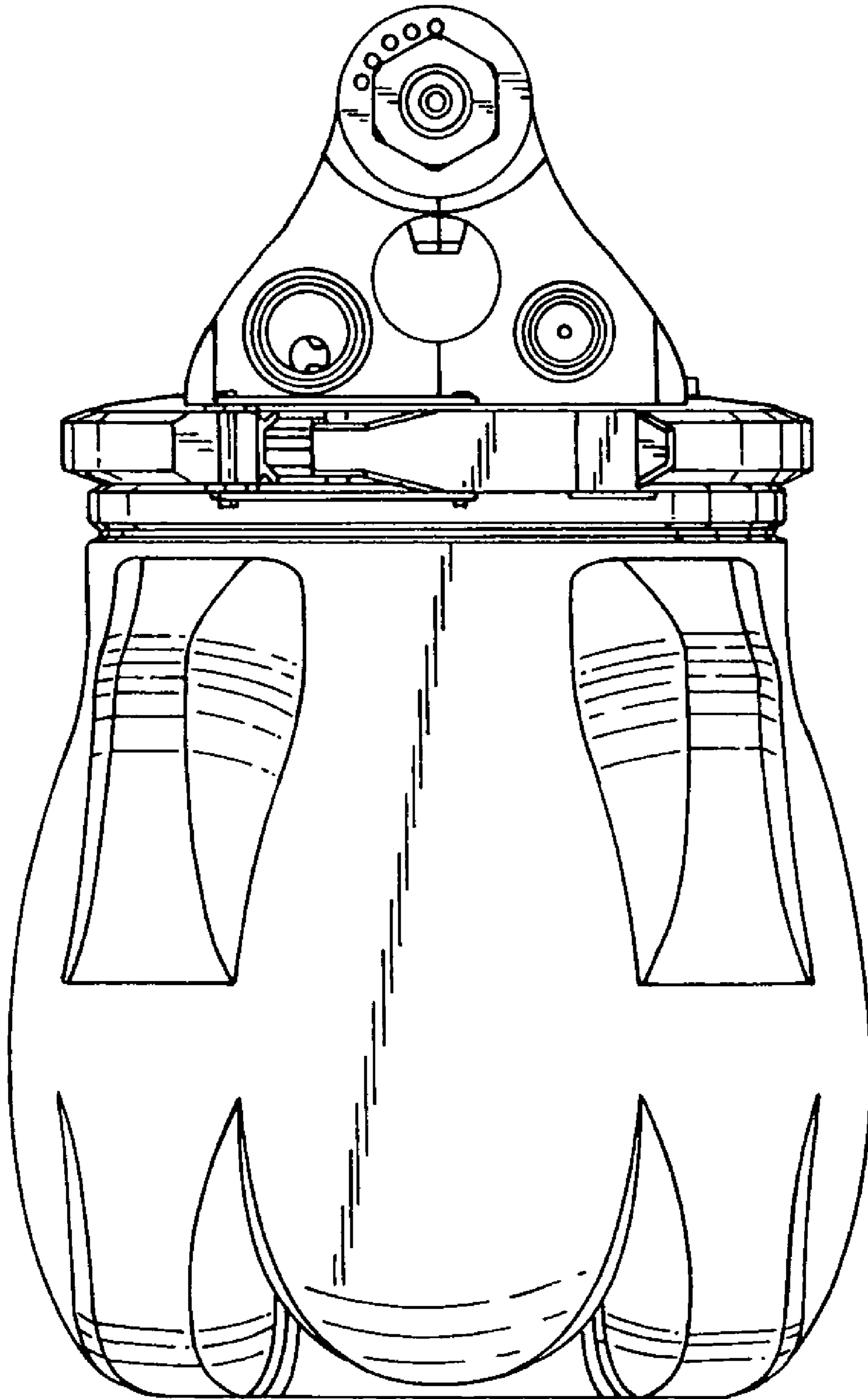


FIG. 4

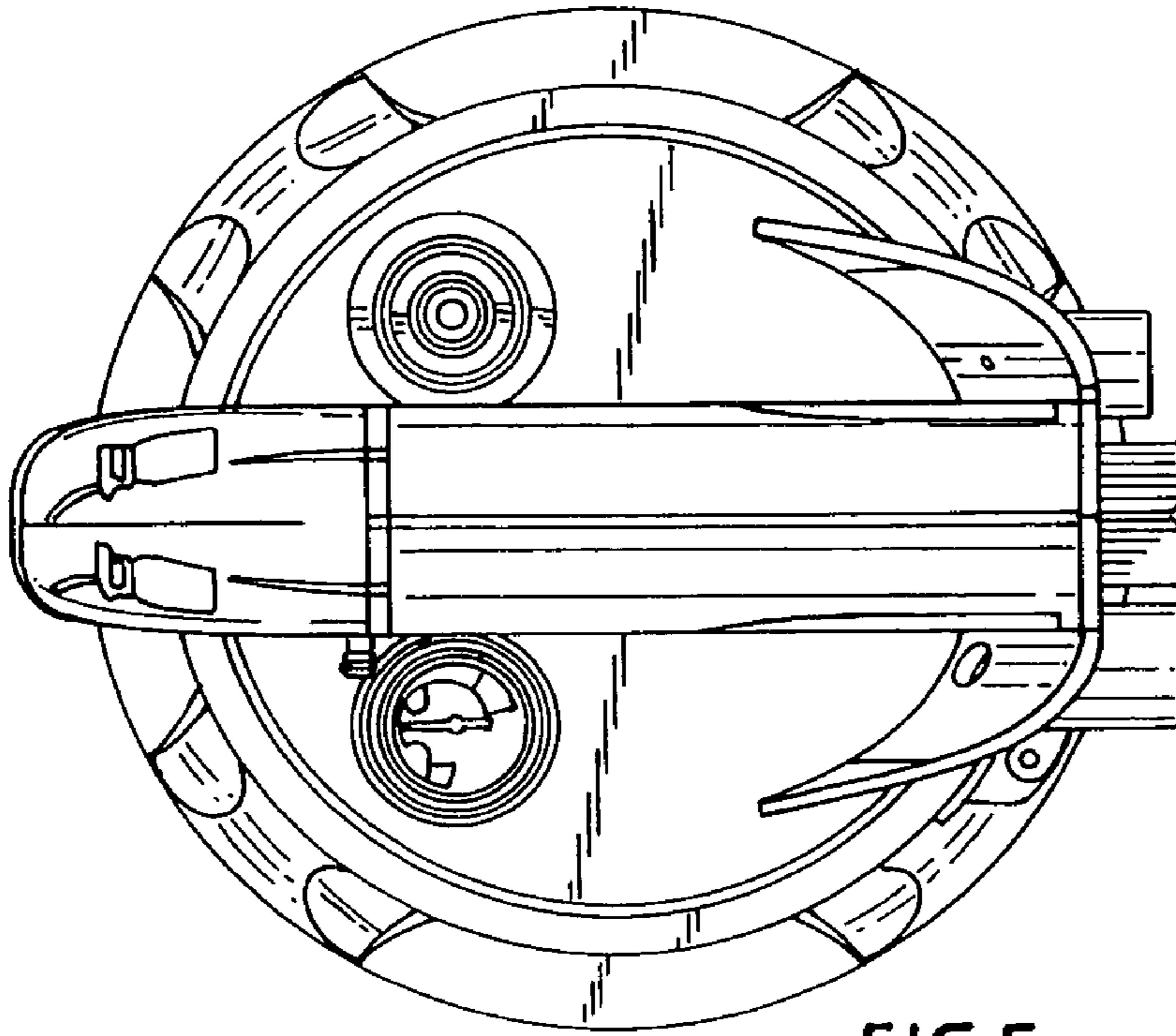


FIG. 5

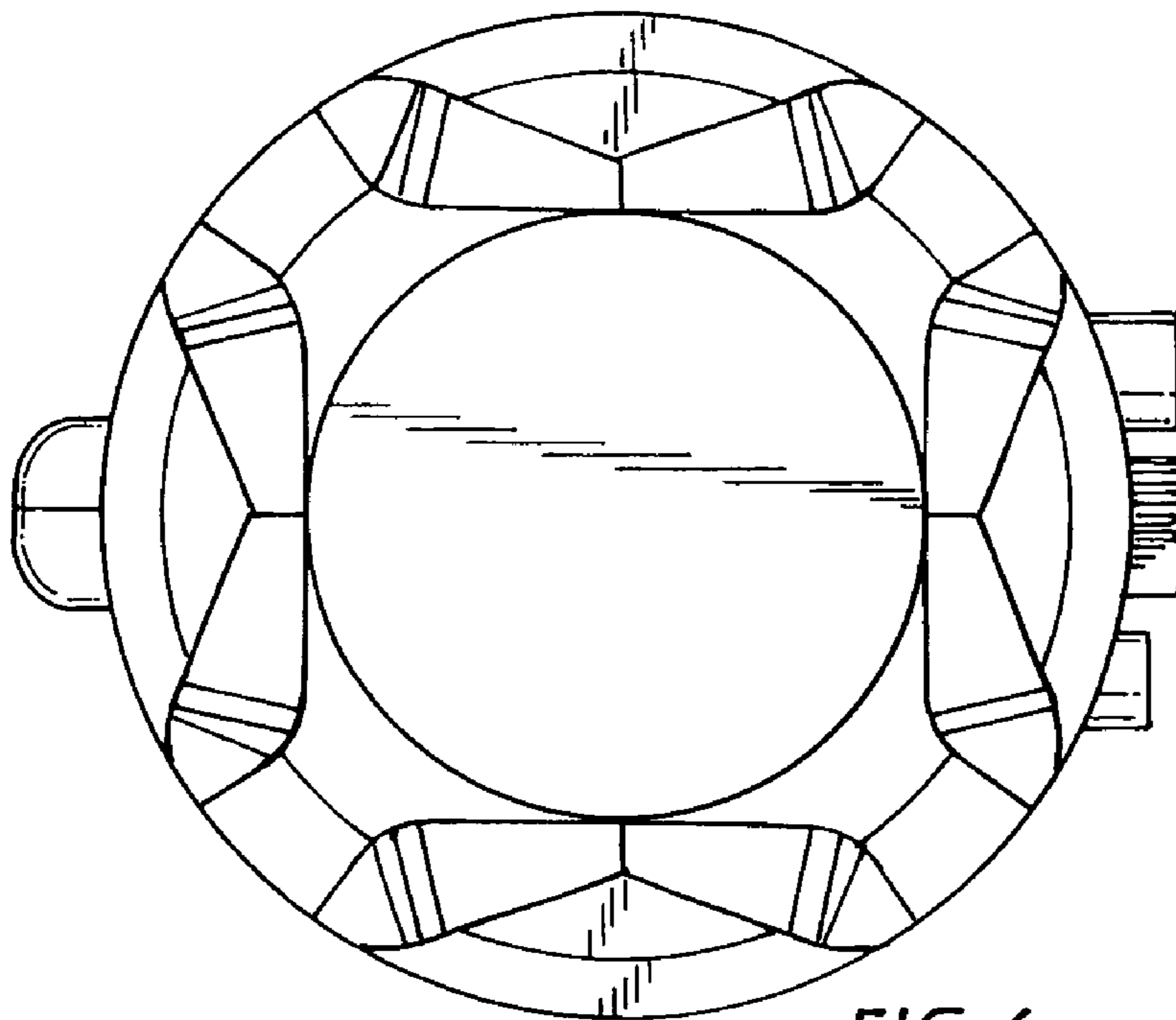


FIG. 6