



US00D562432S

(12) **United States Design Patent**
Dingler et al.

(10) **Patent No.:** **US D562,432 S**

(45) **Date of Patent:** **** Feb. 19, 2008**

(54) **SHOWERHEAD FACEPLATE**

(75) Inventors: **Noah Dingler**, Waterford, MI (US);
Dominic Daunter, Howell, MI (US);
Kristen Swope, Homer, MI (US);
Michael Miller, Portage, MI (US);
Julian Giggs, Hillsdale, MI (US)

(73) Assignee: **Alsons Corporation**, Hillsdale, MI (US)

(**) Term: **14 Years**

(21) Appl. No.: **29/271,311**

(22) Filed: **Jan. 16, 2007**

(51) **LOC (8) Cl.** **23-01**

(52) **U.S. Cl.** **D23/213**

(58) **Field of Classification Search** D23/213,
D23/223, 226; 239/394, 462, 282-3; 4/615
See application file for complete search history.

(56) **References Cited**

U.S. PATENT DOCUMENTS

D352,092 S * 11/1994 Warshawsky D23/213

D439,305 S * 3/2001 Slothower D23/213
D440,276 S * 4/2001 Slothower D23/213
D440,278 S * 4/2001 Slothower D23/213
D545,398 S * 6/2007 Sedwick D23/213

* cited by examiner

Primary Examiner—Robin V Webster

(74) *Attorney, Agent, or Firm*—Edgar A. Zarins; Lloyd D. Doigan

(57) **CLAIM**

The ornamental design for a showerhead faceplate, as shown and described.

DESCRIPTION

FIG. 1 is a perspective view of a showerhead faceplate showing our new design;

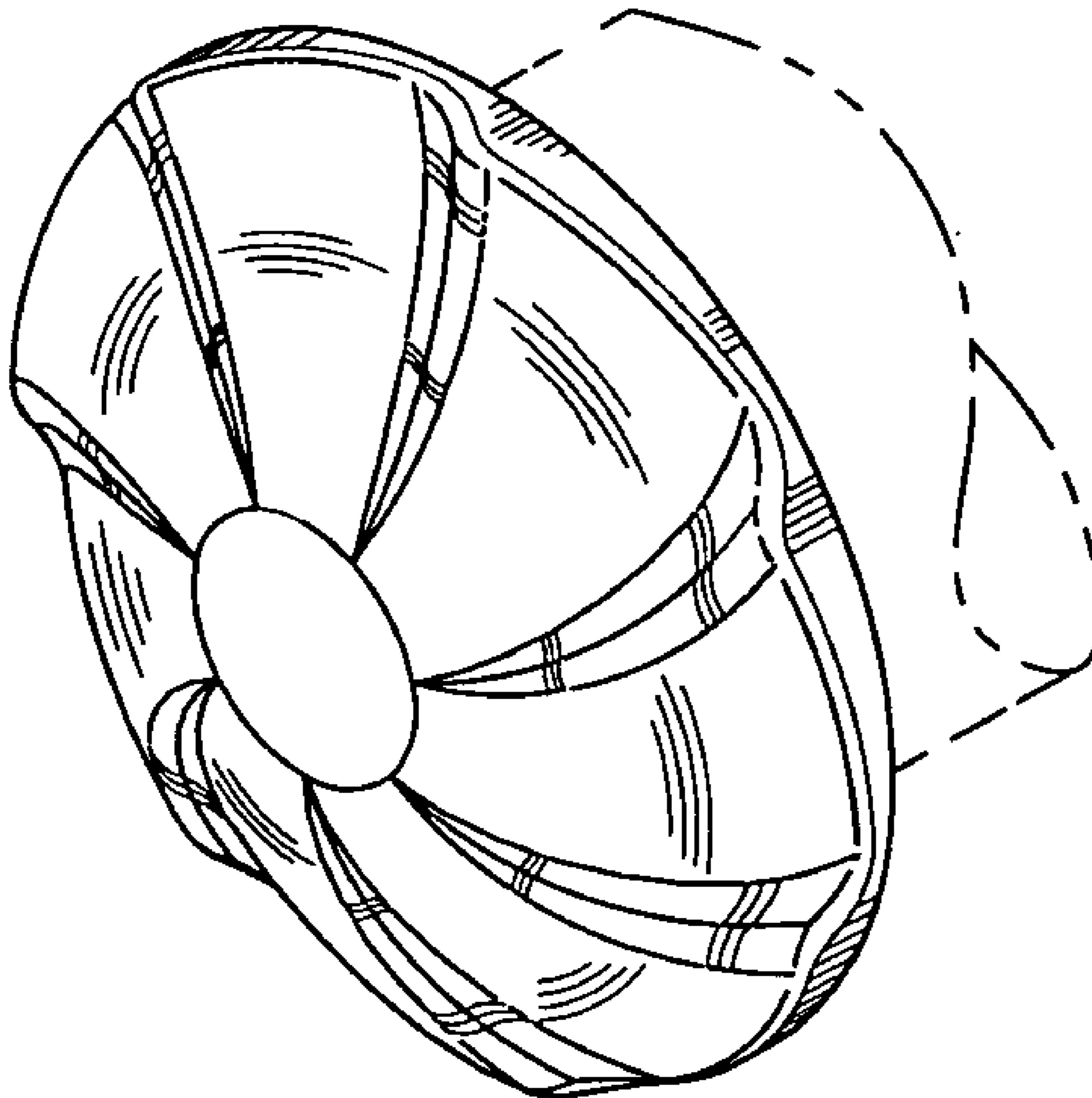
FIG. 2 is a second perspective view thereof;

FIG. 3 is a front elevational view thereof; and,

FIG. 4 is a side view thereof.

The broken line showing is included for the purpose of illustrating and forms no part of the claimed design.

1 Claim, 1 Drawing Sheet



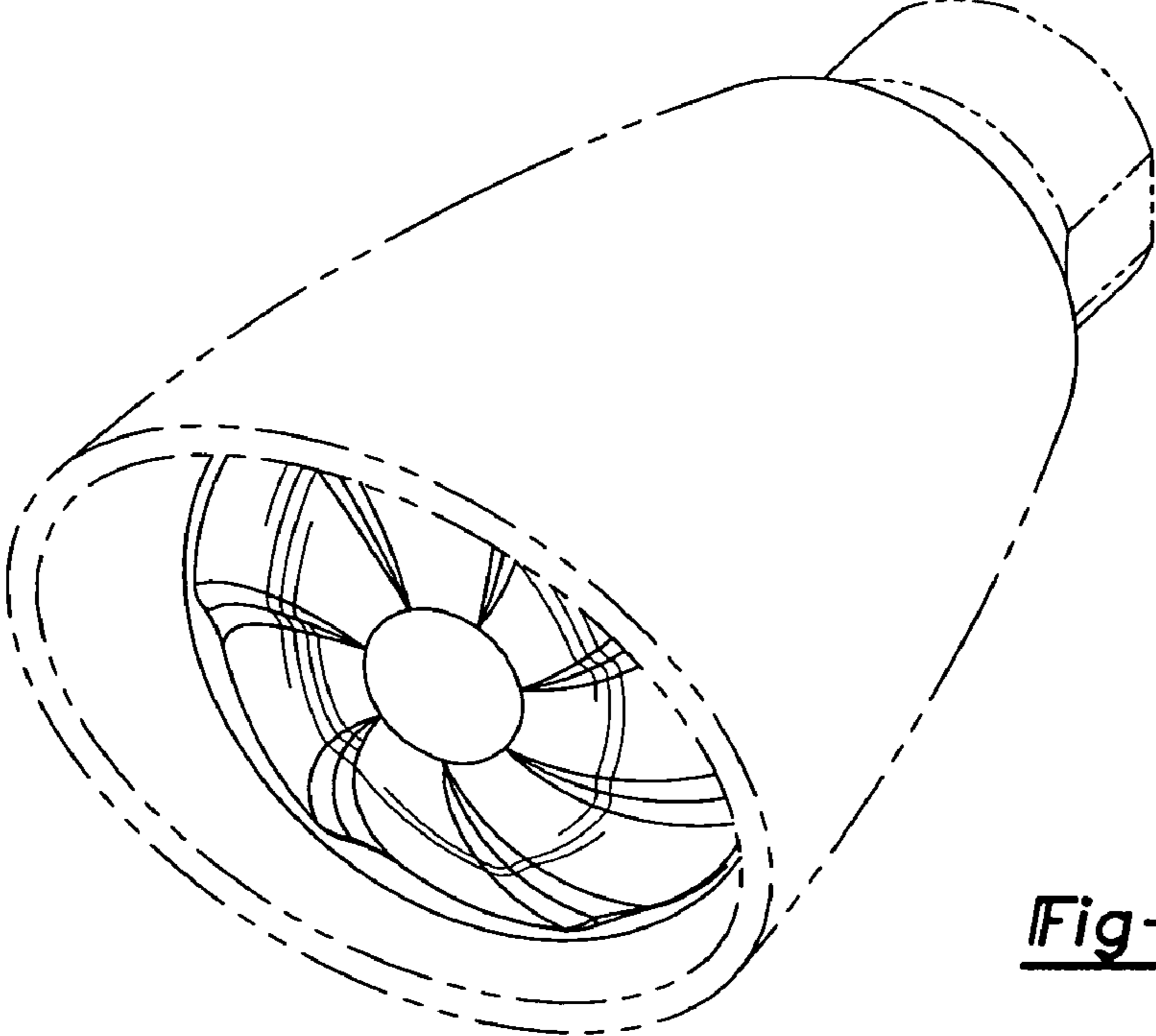


Fig-1

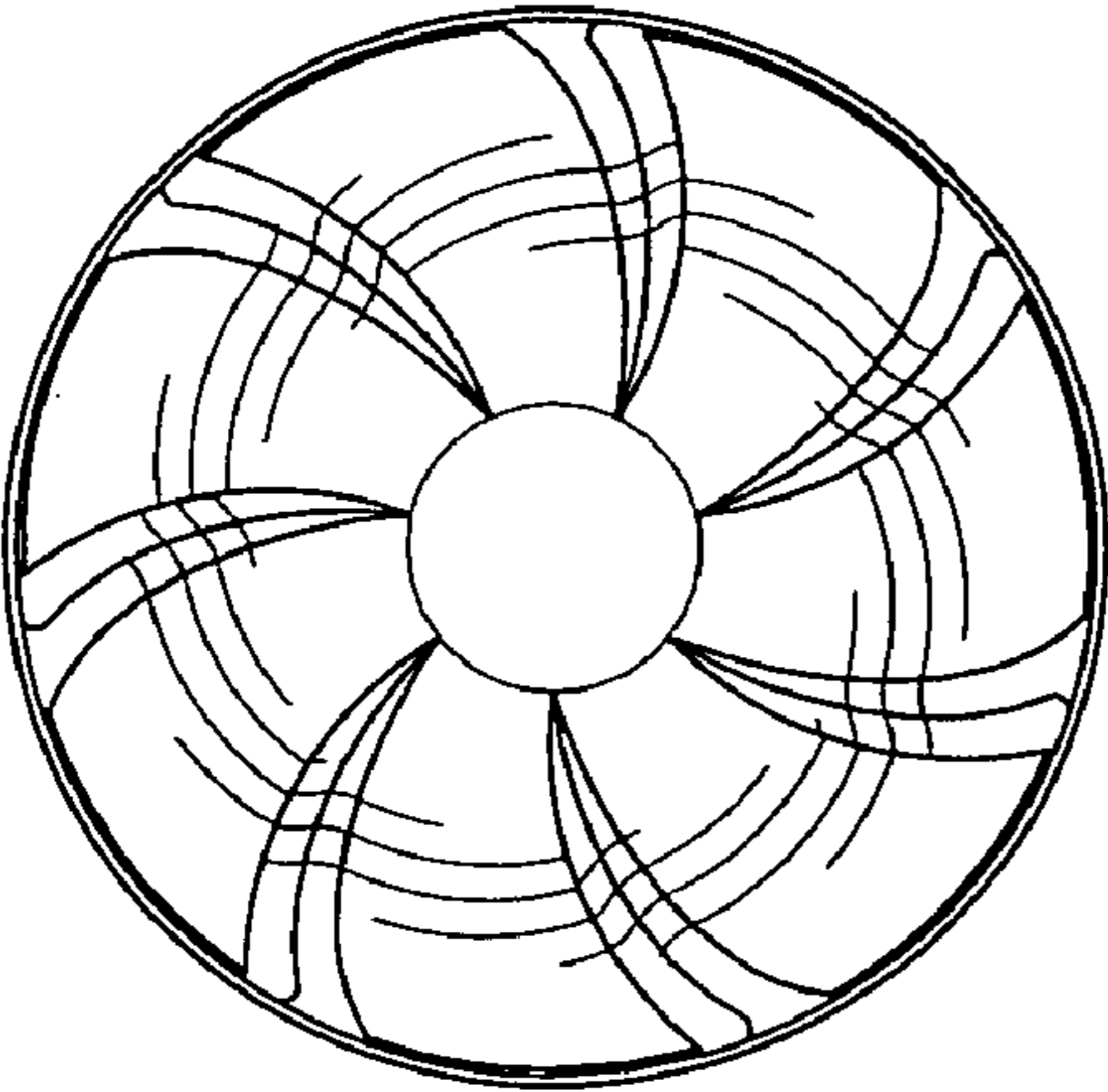


Fig-3

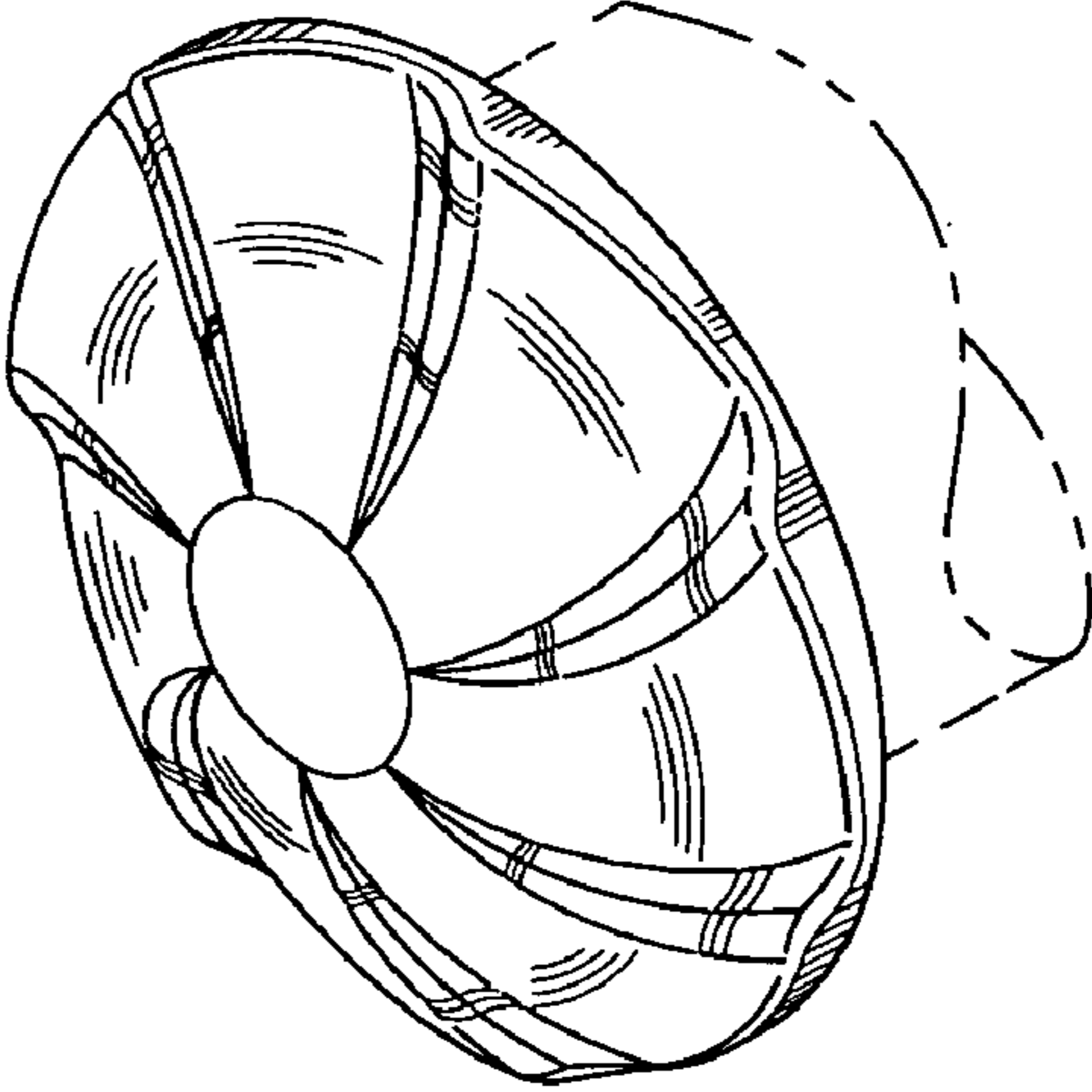


Fig-2

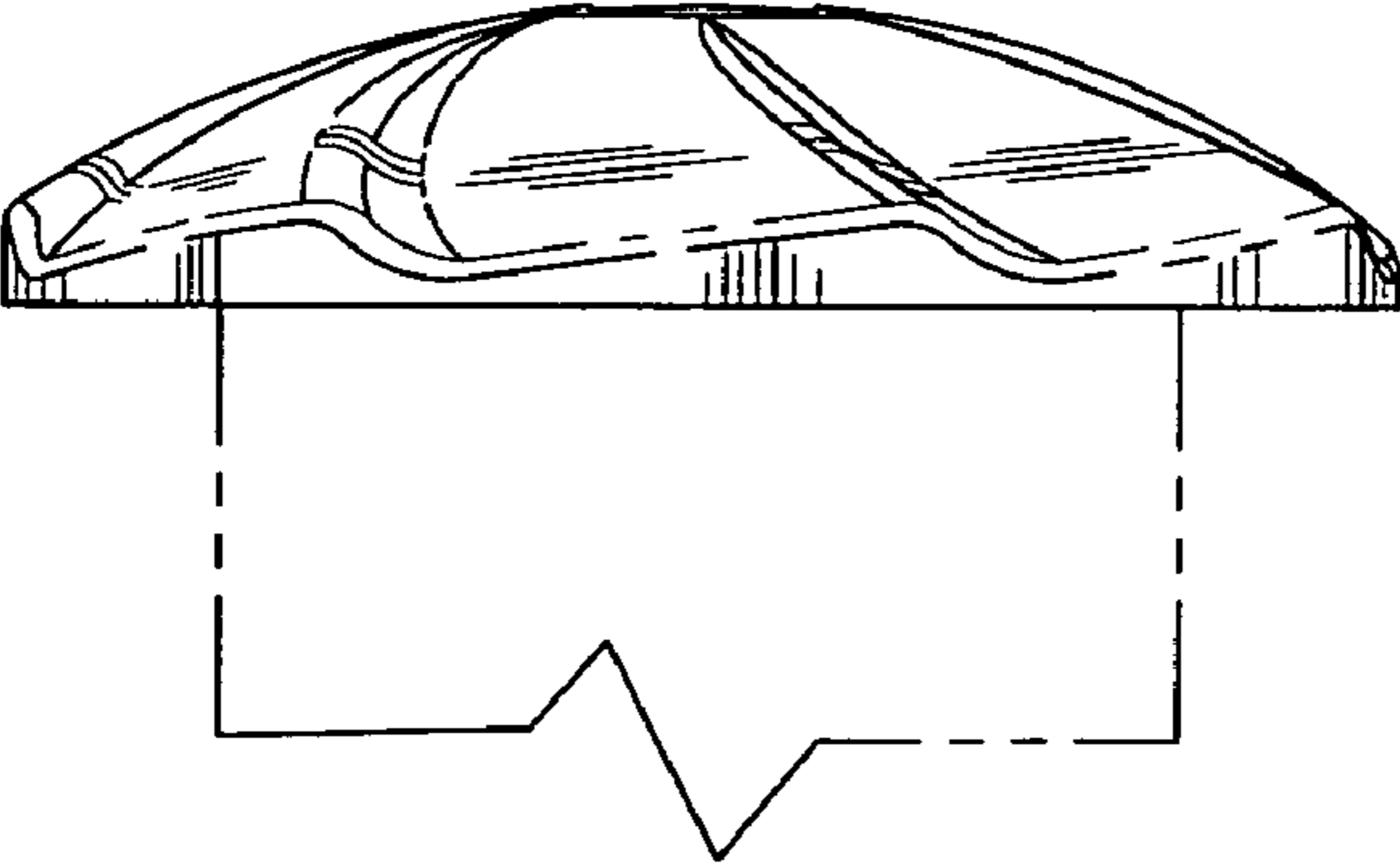


Fig-4