

US00D562430S

(12) **United States Design Patent**  
**Slawomir**

(10) **Patent No.:** **US D562,430 S**

(45) **Date of Patent:** **\*\* Feb. 19, 2008**

(54) **WATER FILTER CARTRIDGE WITH  
STEPPED COVER AND EIGHT TOP  
PERFORATIONS**

D459,941 S 7/2002 Miller  
D529,127 S \* 9/2006 Cueman ..... D23/209

(76) Inventor: **Bursztein Slawomir**, Ul. Rzeszowska  
11, 25-140, Kielce (PL)

\* cited by examiner

*Primary Examiner*—Robin V Webster  
(74) *Attorney, Agent, or Firm*—Horst M. Kasper

(\*\*) Term: **14 Years**

(57) **CLAIM**

(21) Appl. No.: **29/269,521**

The ornamental design for a water filter cartridge with stepped cover and eight top perforations, as shown.

(22) Filed: **Nov. 30, 2006**

(51) **LOC (8) Cl.** ..... **23-01**

**DESCRIPTION**

(52) **U.S. Cl.** ..... **D23/209**

(58) **Field of Classification Search** ..... D23/207,  
D23/209; 210/282, 472, 266  
See application file for complete search history.

FIG. 1 is a perspective view of a water filter cartridge with stepped cover and eight top perforations showing my new design;

(56) **References Cited**

FIG. 2 is a bottom plan view thereof;

**U.S. PATENT DOCUMENTS**

FIG. 3 is a front elevational view thereof;

D312,863 S \* 12/1990 Hankammer ..... D23/209

FIG. 4 is a is a right side elevational view thereof; the left side elevational view is the same as the right side elevational view.

D380,535 S \* 7/1997 Joergensen ..... D23/365

5,811,004 A \* 9/1998 Robertson et al. .... 210/482

5,989,424 A 11/1999 Serenko et al.

FIG. 5 is a rear elevational view thereof; and,

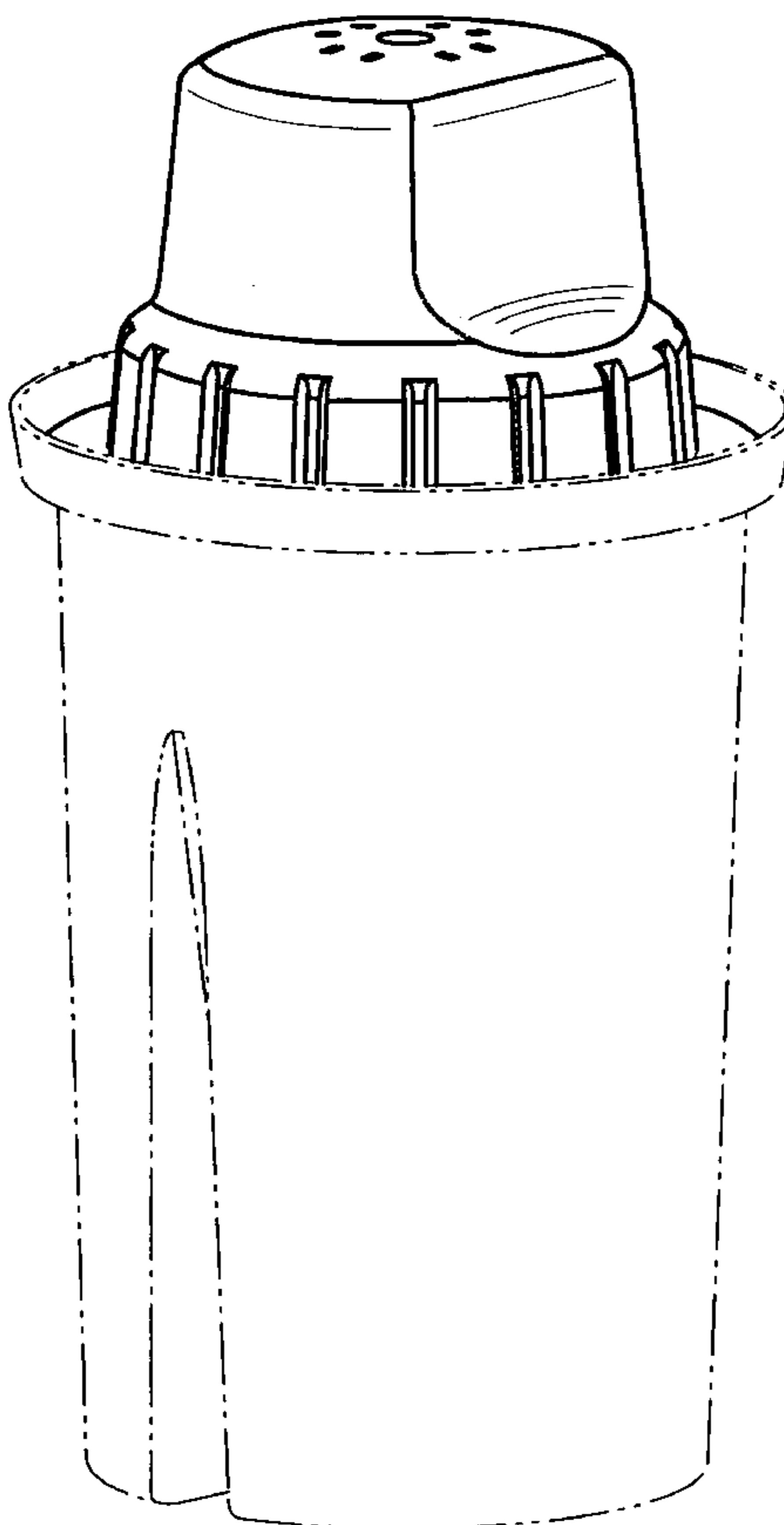
D435,084 S \* 12/2000 Northen et al. .... D23/209

FIG. 6 is a top plan view thereof.

6,238,552 B1 \* 5/2001 Shannon ..... 210/94

D450,531 S 11/2001 McGrath et al.

**1 Claim, 6 Drawing Sheets**



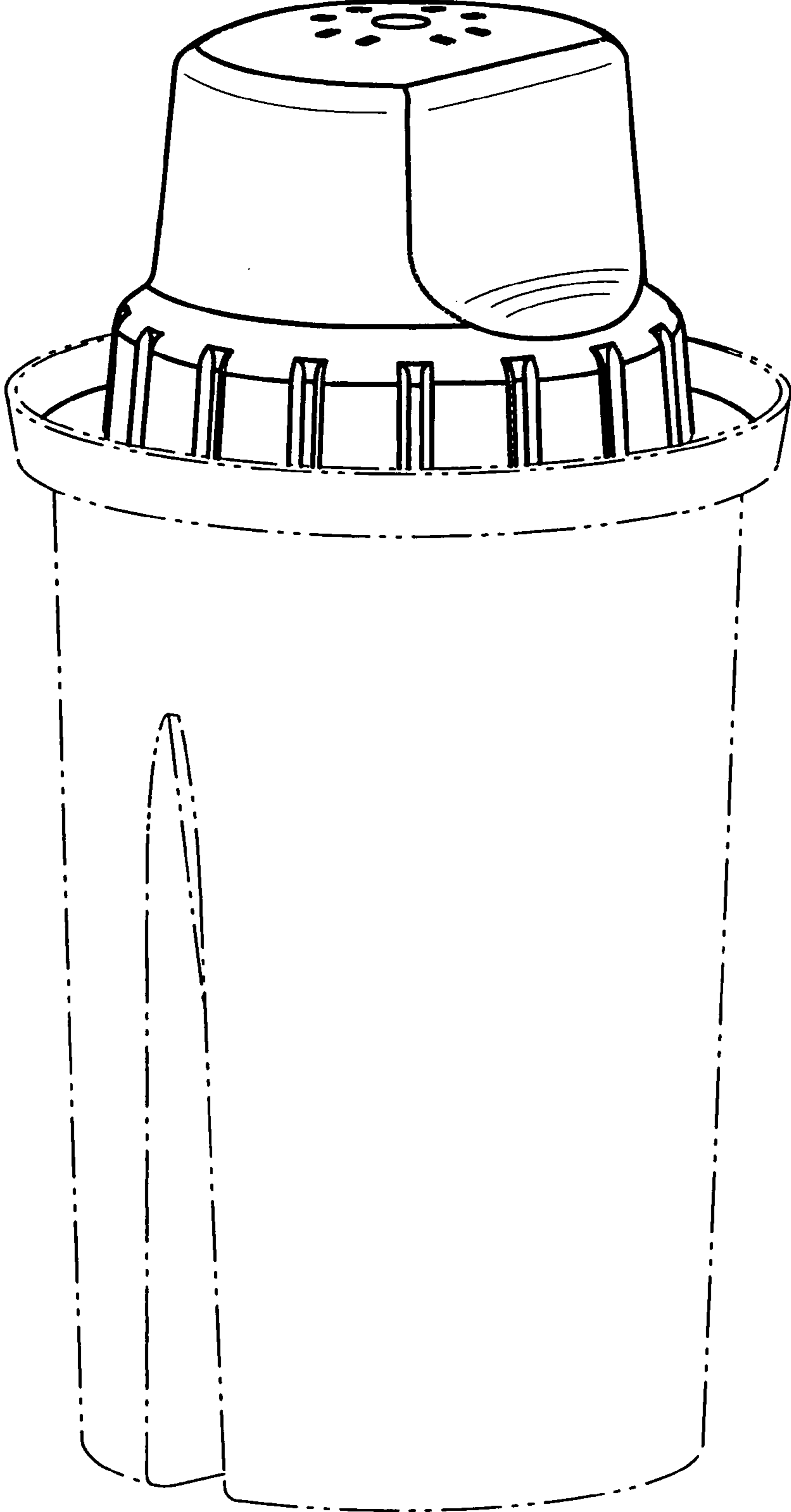


Fig. 1

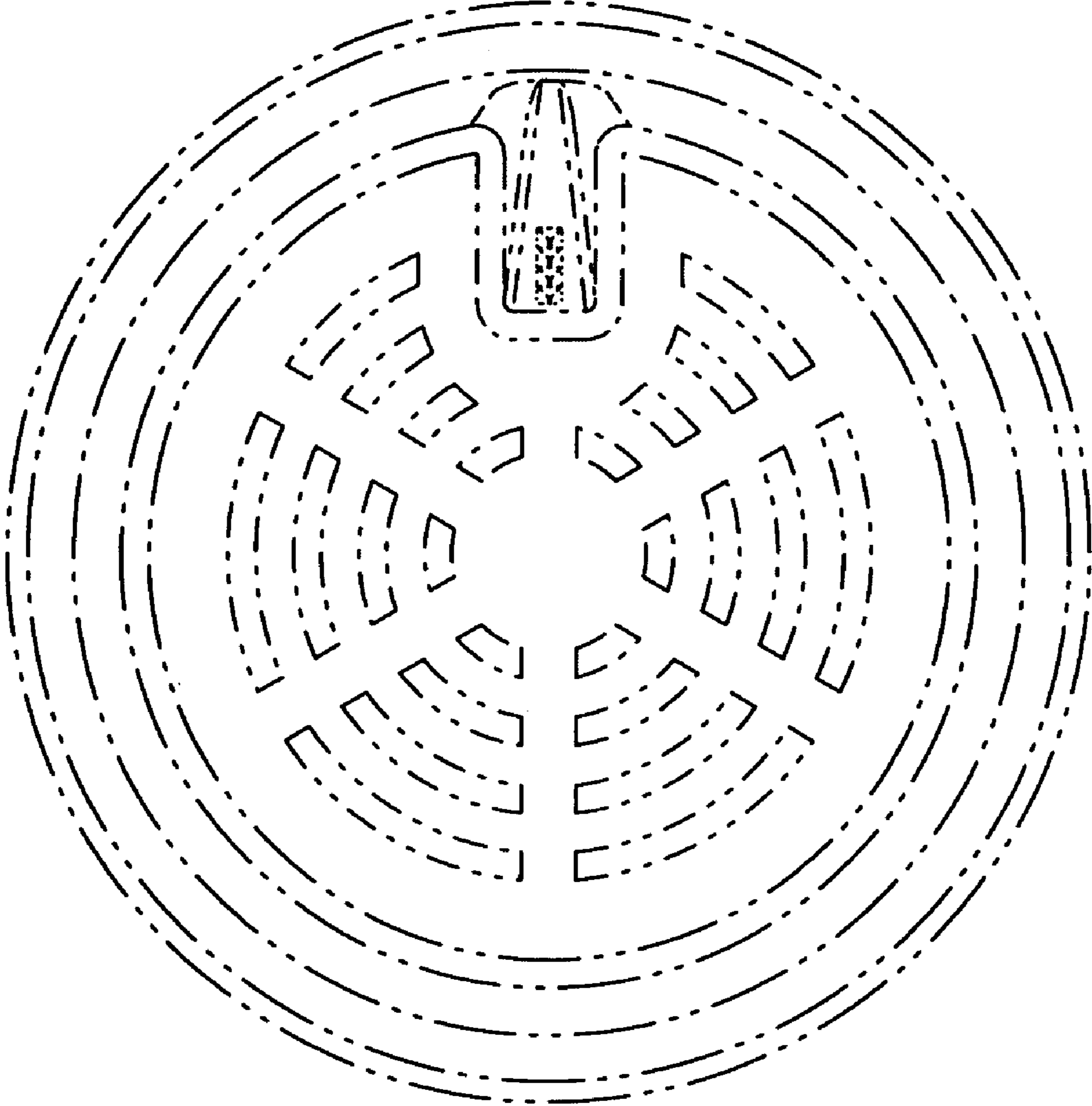


Fig. 2

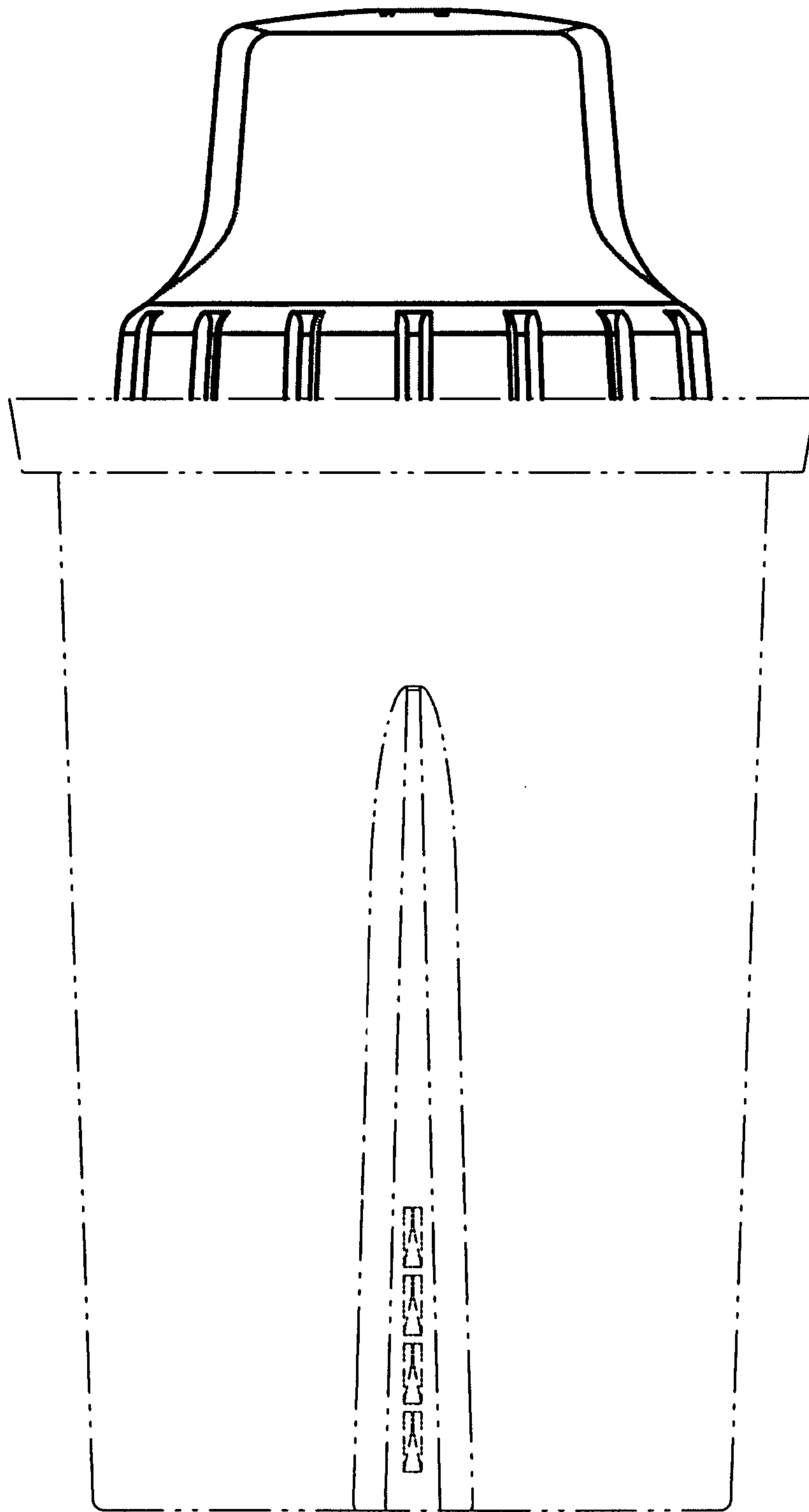


Fig. 3

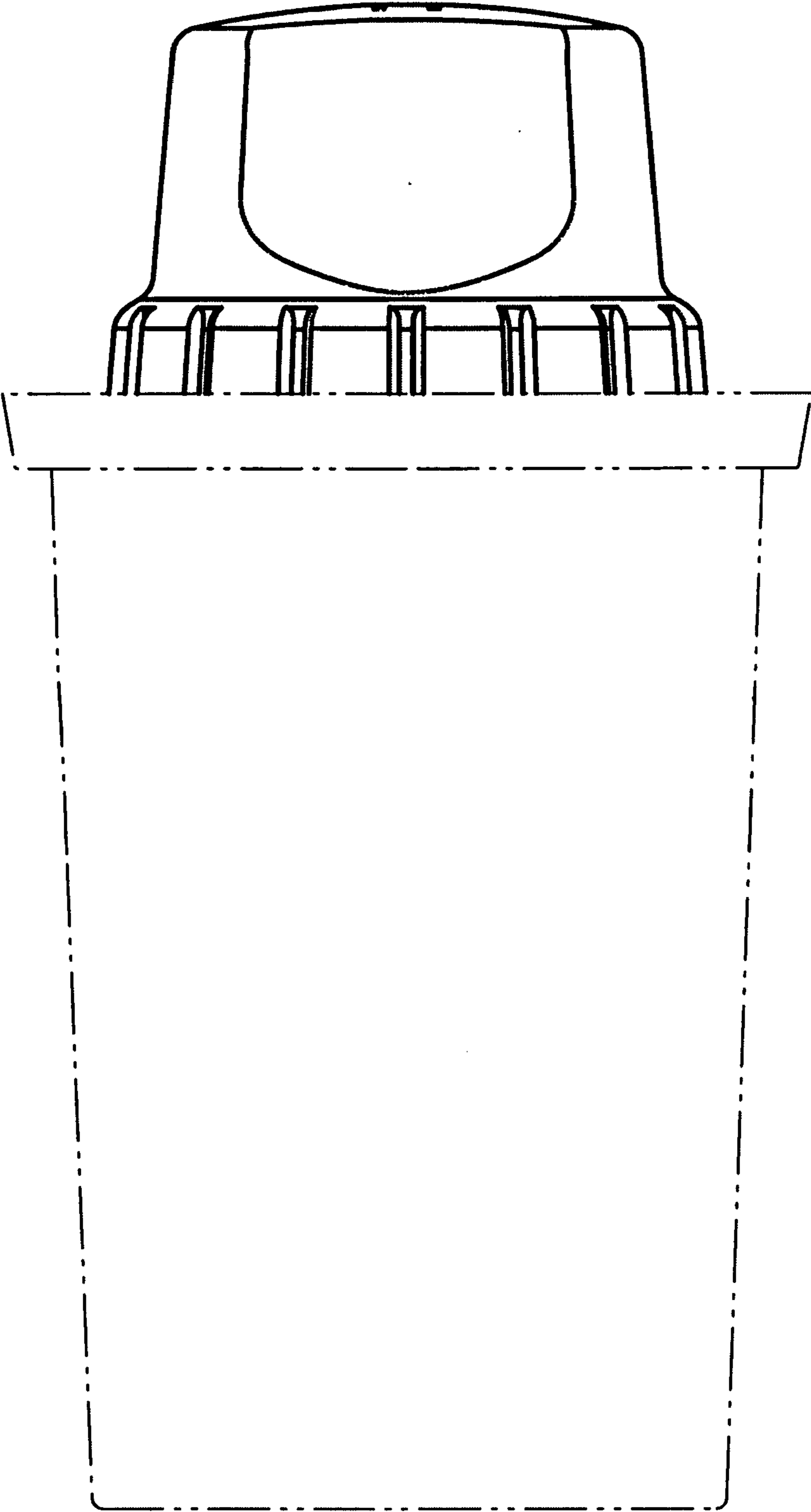


Fig. 4

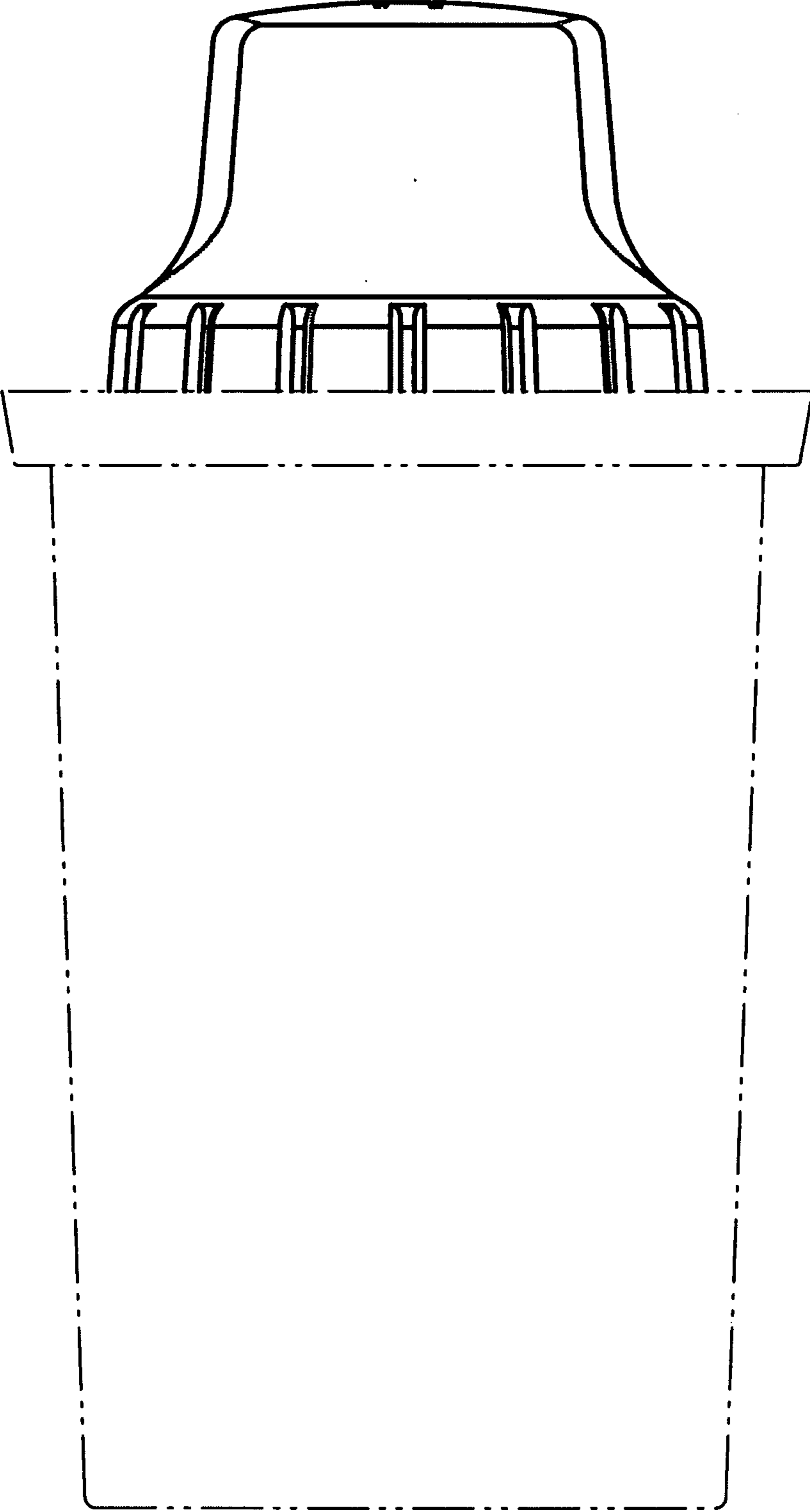


Fig. 5

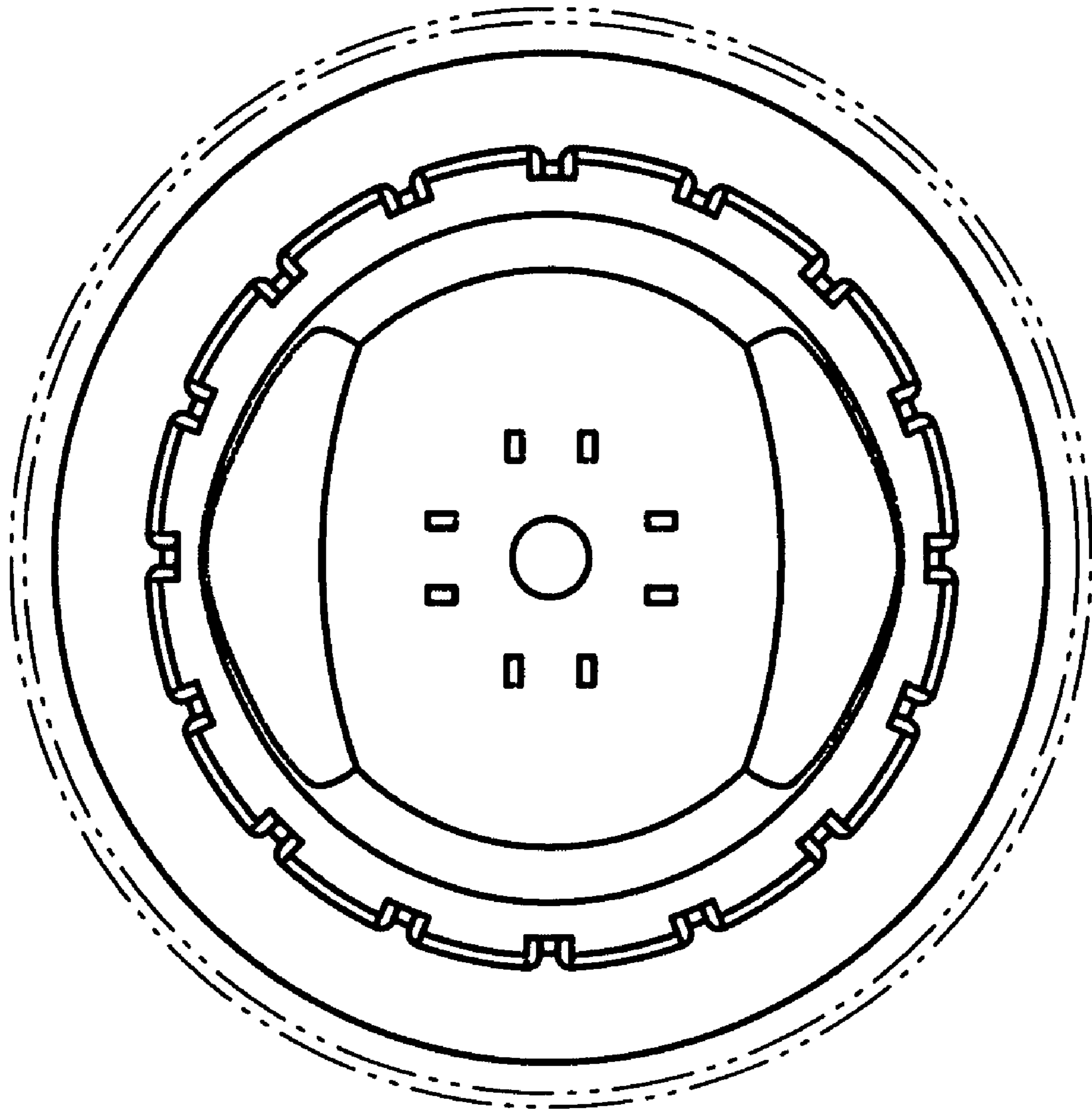


Fig. 6