

US00D562429S

(12) **United States Design Patent**
Morris

(10) **Patent No.:** **US D562,429 S**

(45) **Date of Patent:** **** Feb. 19, 2008**

(54) **OIL FILTER RECYCLING CONTAINER**

D445,869 S * 7/2001 McKinney D23/207
D539,382 S * 3/2007 Donald et al. D23/207

(75) Inventor: **Michael A. Morris**, Rancho Palos
Verdes, CA (US)

* cited by examiner

(73) Assignee: **GEO Plastics**, Los Angeles, CA (US)

Primary Examiner—Robin V Webster
(74) *Attorney, Agent, or Firm*—Knobbe, Martens, Olson &
Bear, LLP

(**) Term: **14 Years**

(21) Appl. No.: **29/250,711**

(57) **CLAIM**

(22) Filed: **Nov. 28, 2006**

The ornamental design for a oil filter recycling container, as
shown and described.

(51) **LOC (8) Cl.** **23-01**

(52) **U.S. Cl.** **D23/209; D15/150**

(58) **Field of Classification Search** D23/207,
D23/209; 210/195.3, 220; D15/150; 220/23.2,
220/4.12, 4.23

See application file for complete search history.

DESCRIPTION

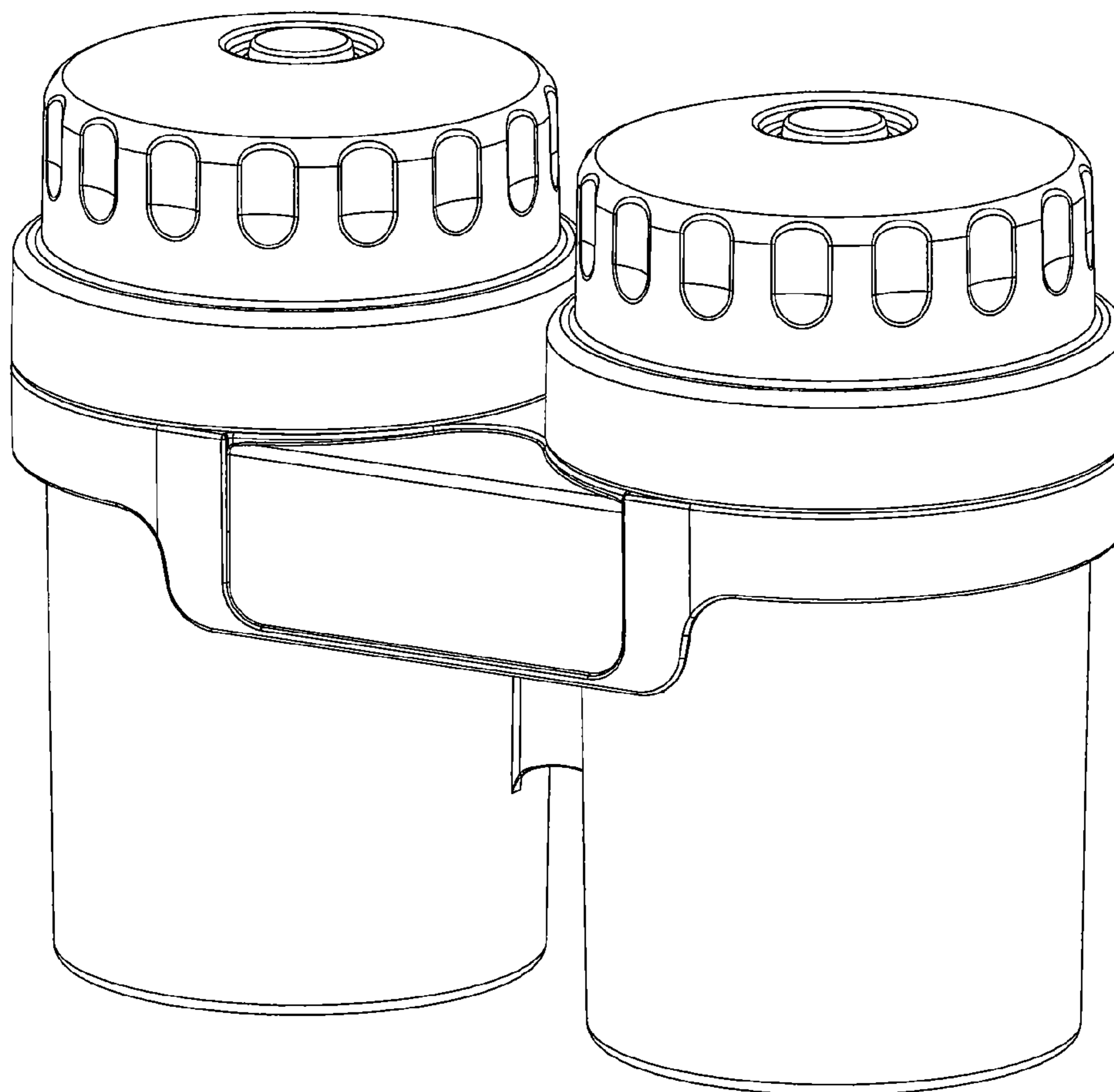
FIG. 1 is a perspective view showing my new design;
FIG. 2 is a front elevational view thereof with the other side
being a mirror image;
FIG. 3 is a top plan view thereof; and,
FIG. 4 is a right side elevational view thereof with the other
side being a mirror image.

(56) **References Cited**

U.S. PATENT DOCUMENTS

5,454,960 A * 10/1995 Newsom 210/805
D438,932 S * 3/2001 McKinney D23/207

1 Claim, 4 Drawing Sheets



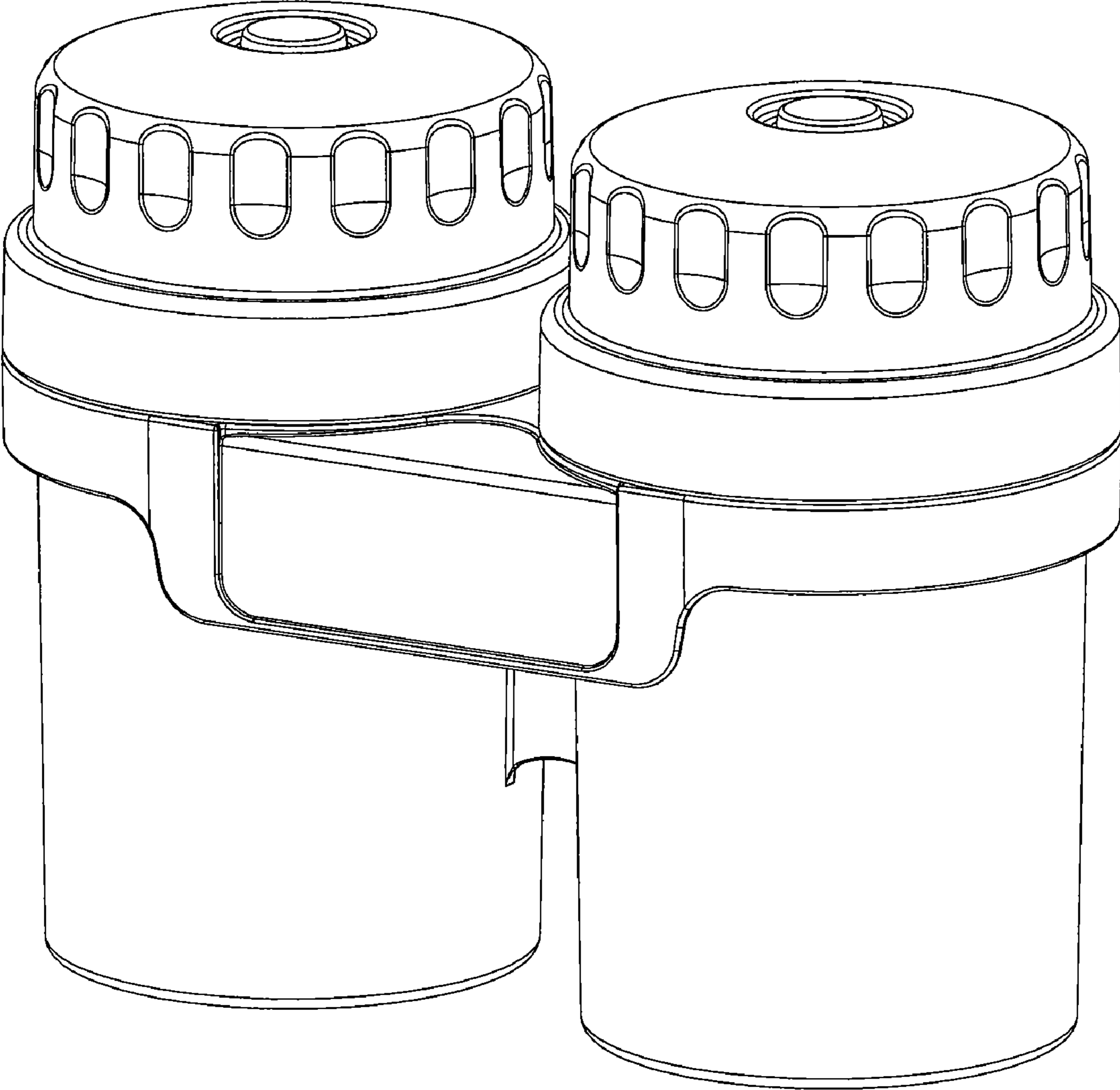


FIG. 1

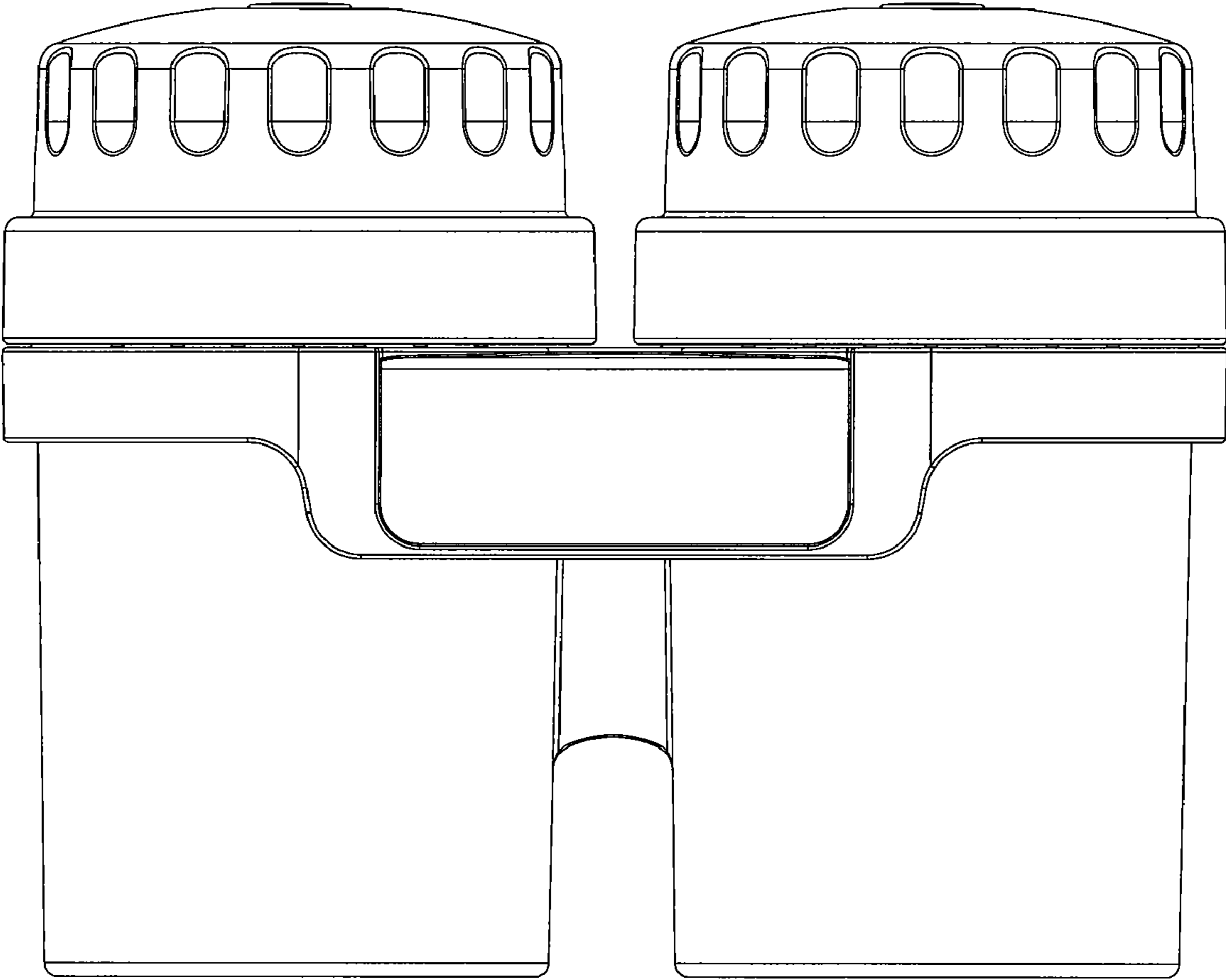


FIG. 2

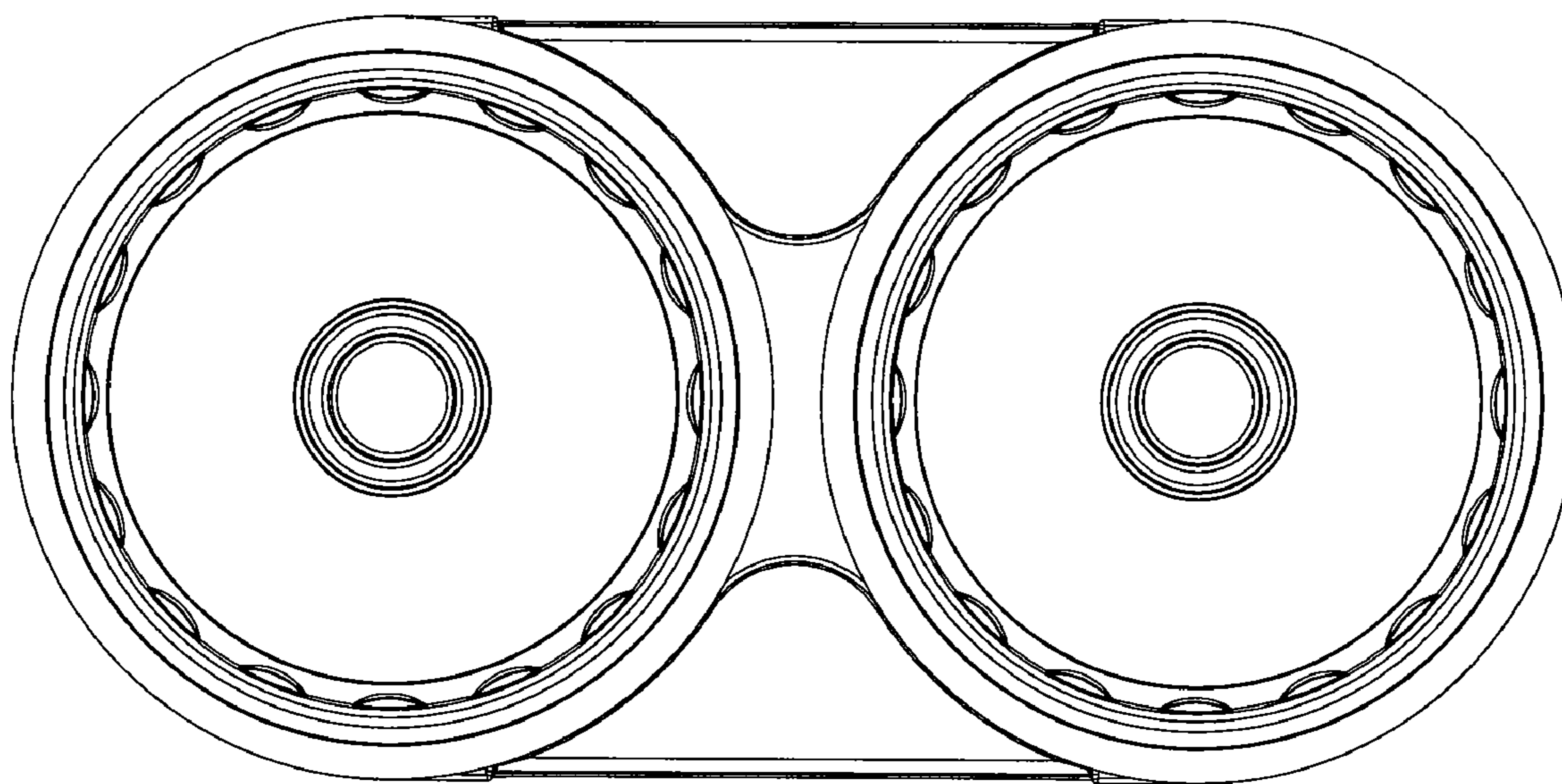


FIG. 3

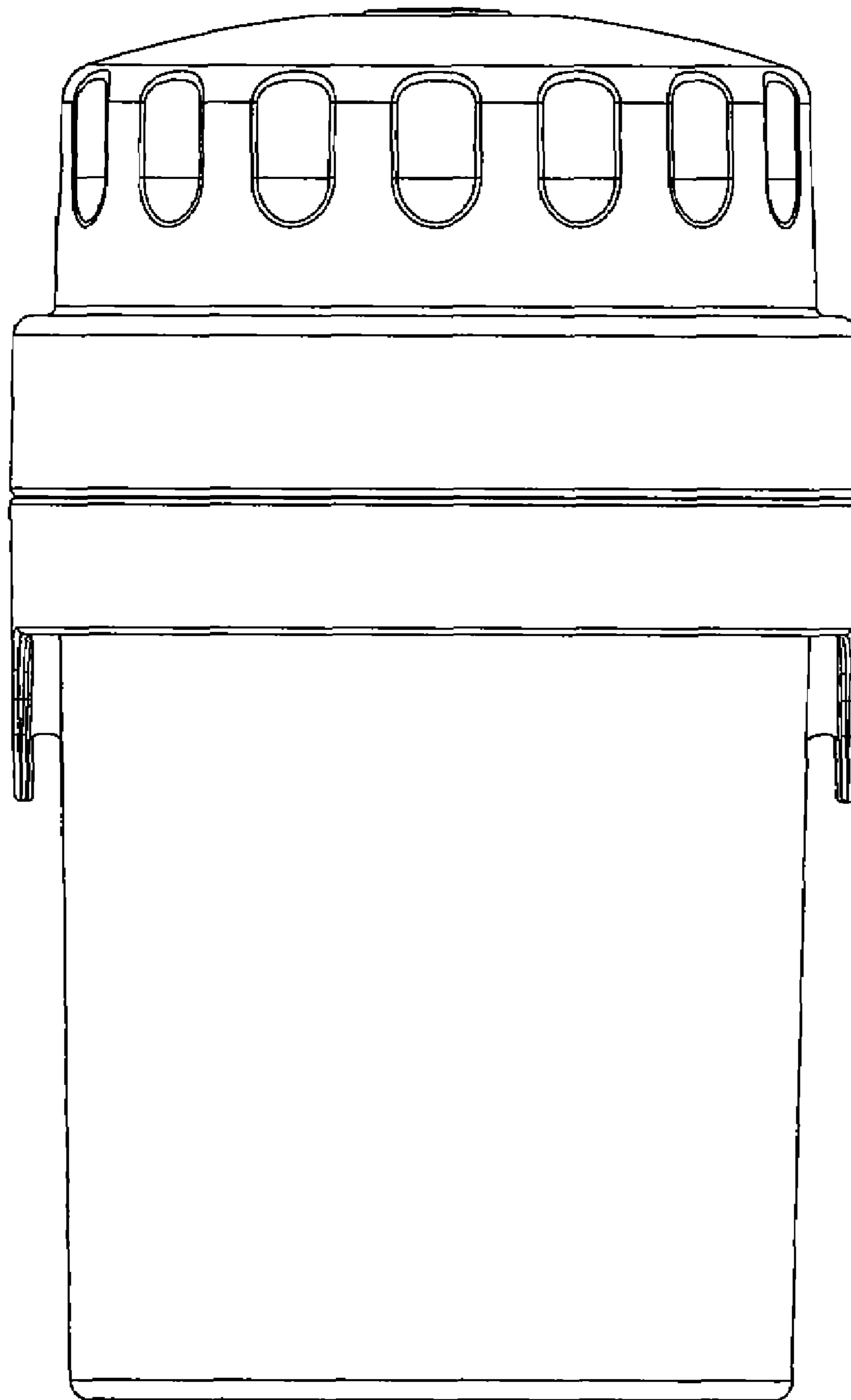


FIG. 4