



US00D562427S

(12) **United States Design Patent**
Khoshnood

(10) **Patent No.:** **US D562,427 S**

(45) **Date of Patent:** **** *Feb. 19, 2008**

(54) **BOW SIGHT**

5,579,033 A 11/1996 Rutledge et al.

(76) Inventor: **Bahram Khoshnood**, 2735 Two Rock Ct., Alpharetta, GA (US) 30004

(Continued)

(**) Term: **14 Years**

(21) Appl. No.: **29/224,790**

(22) Filed: **Mar. 7, 2005**

OTHER PUBLICATIONS

Cobra Bowhunting Products, "003 Product Catalog", Cobra Manufacturing Co., Inc., Bixby, OK.
Trophy Ridge, "2003 Catalog", Trophy Ridge, LLC, Belgrade, MT.
TRUGLO, "2003 Catalog", TRUGLO, Inc., McKinney, TX.
TRUGLO, "2001 Catalog", TRUGLO, Inc., McKinney, TX.
ARROWTRADE (magazine), "Bow Tech" Jan. (2004), p. 4, ARROWTRADE, Braham, MN.

Related U.S. Application Data

(63) Continuation of application No. 11/034,462, filed on Jan. 13, 2005, now Pat. No. 7,082,690.

(Continued)

(51) **LOC (8) Cl.** **22-01**

(52) **U.S. Cl.** **D22/107**

(58) **Field of Classification Search** D22/100,
D22/107, 199; 33/245; 42/132, 136, 137,
42/138, 139, 145; 124/86-90

Primary Examiner—Charles A. Rademaker
Assistant Examiner—Melanie Levy

(74) *Attorney, Agent, or Firm*—Myers & Kaplan, LLC;
Ashish D. Patel; George P. Bonanto

See application file for complete search history.

(57) **CLAIM**

The ornamental design for a bow sight, as shown and described.

(56) **References Cited**

U.S. PATENT DOCUMENTS

3,084,442	A *	4/1963	Jacobson et al.	33/265
3,997,974	A	12/1976	Larson	
4,177,572	A	12/1979	Hindes	
4,220,983	A	9/1980	Schroeder	
4,535,544	A	8/1985	Jones et al.	
4,860,458	A *	8/1989	Ernstsen	33/265
4,875,144	A	10/1989	Wainwright	
4,977,677	A	12/1990	Troescher, Jr.	
5,121,547	A	6/1992	Littlejohn	
5,168,631	A	12/1992	Sherman	
5,174,269	A	12/1992	Sappington	
5,231,765	A	8/1993	Sherman	
5,253,423	A	10/1993	Sullivan, Jr. et al.	
5,255,440	A	10/1993	Rogers	
5,341,791	A	8/1994	Shafer	
5,442,861	A	8/1995	Lorocco	
5,560,113	A	10/1996	Simo et al.	

DESCRIPTION

FIG. 1 is a perspective view of a bow sight according to a preferred embodiment of the present invention.

FIG. 2 is a perspective view of a bow sight according to a preferred embodiment of the present invention.

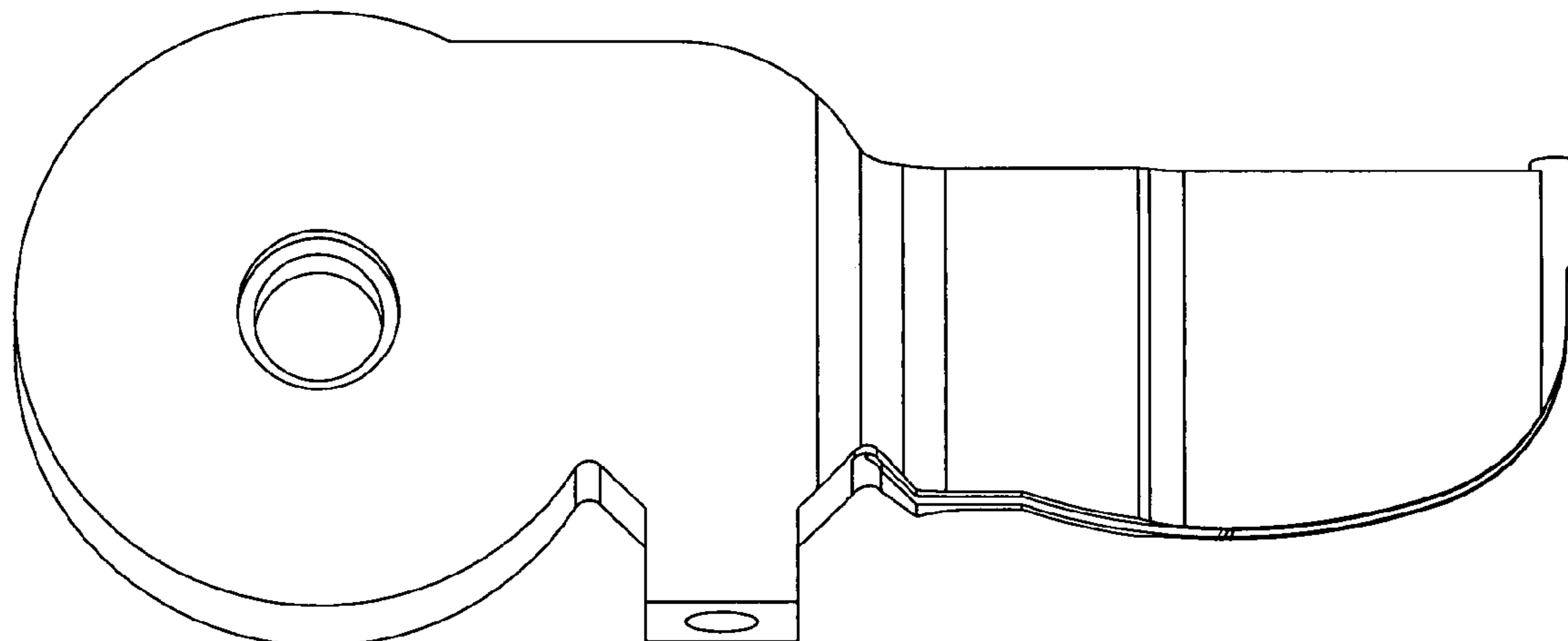
FIG. 3 is a perspective view of a bow sight according to a preferred embodiment of the present invention.

FIG. 4 is a side view of a bow sight according to a preferred embodiment of the present invention.

FIG. 5 is a side view of a bow sight according to a preferred embodiment of the present invention; and,

FIG. 6 is a side view of a bow sight according to a preferred embodiment of the present invention.

1 Claim, 6 Drawing Sheets



US D562,427 S

Page 2

U.S. PATENT DOCUMENTS

5,634,278 A 6/1997 London
5,638,604 A * 6/1997 Lorocco 42/132
5,649,526 A 7/1997 Ellig
5,671,724 A 9/1997 Priebe
5,791,060 A 8/1998 Godsey
5,850,700 A 12/1998 Capson et al.
5,862,603 A 1/1999 Ellig
5,956,854 A 9/1999 Lorocco
5,975,069 A 11/1999 Hamm et al.
5,996,569 A 12/1999 Wilson
6,000,141 A 12/1999 Afshari
6,016,608 A 1/2000 Lorocco
6,073,352 A 6/2000 Zykan et al.

6,199,286 B1 3/2001 Reed, Jr. et al.
6,311,405 B1 11/2001 Slates
6,418,633 B1 7/2002 Rager
D478,368 S * 8/2003 Kelsoe D22/107
6,601,308 B2 8/2003 Khoshnood
D485,594 S * 1/2004 Kelsoe D22/107
7,162,806 B1 * 1/2007 Swiggart 33/265

OTHER PUBLICATIONS

Inside Archery (magazine), "Vital Bow Gear", Jun. (2004), p. 61.
BOWHUNTING, "bowhuntingmag.com", Sep. 2004.
Vital Bow Gear, "<http://www.vitalbowgear.com/tombstone.cfm>".

* cited by examiner

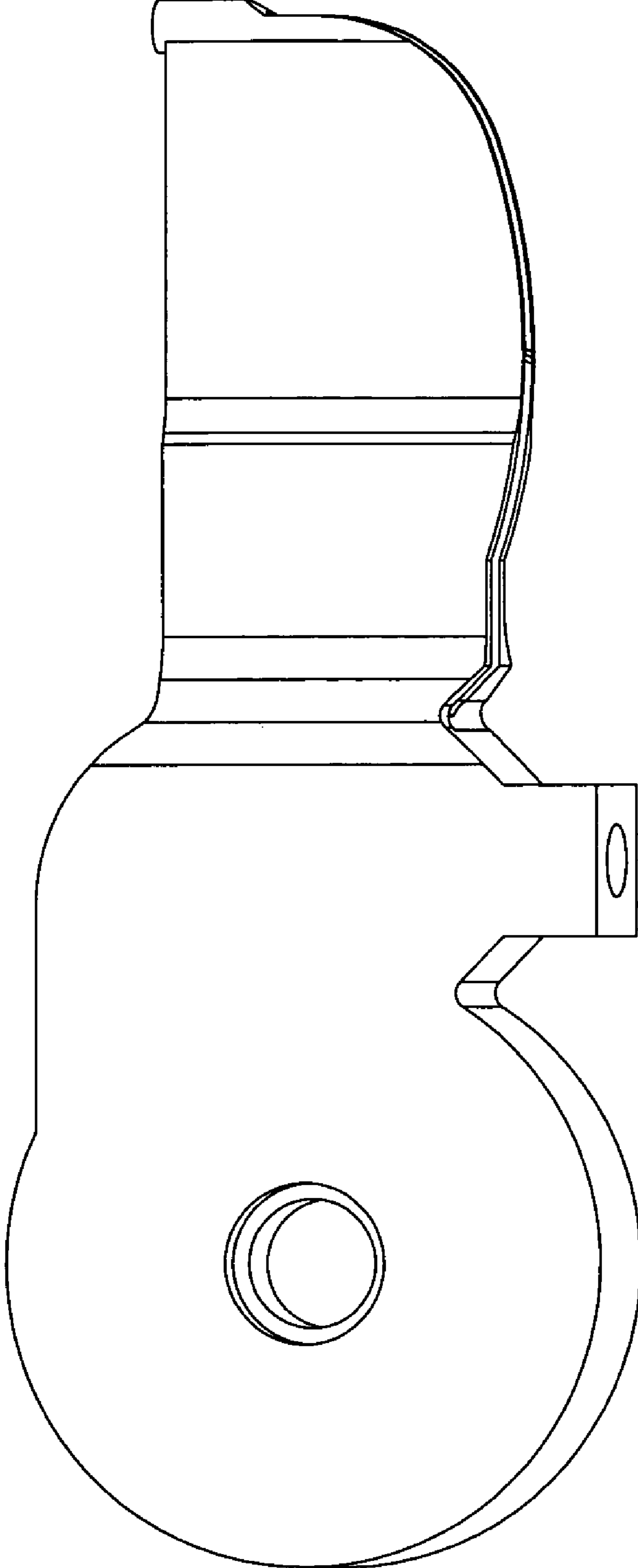


FIG. 1

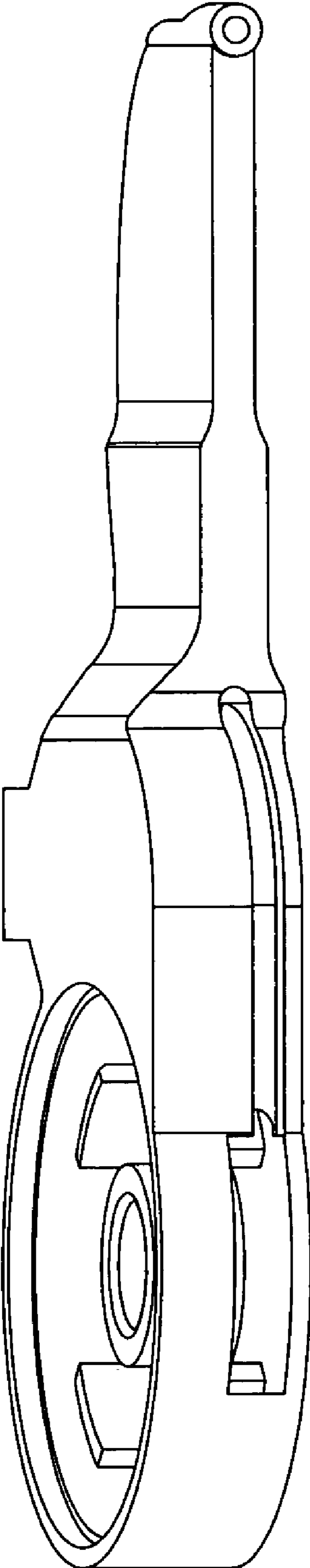


FIG. 2

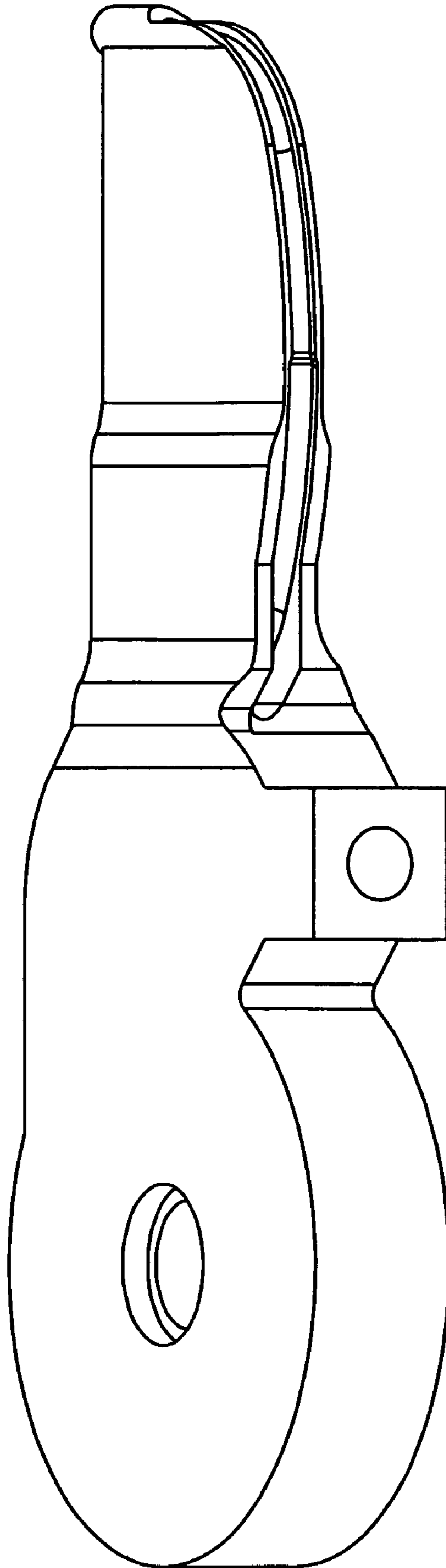


FIG. 3

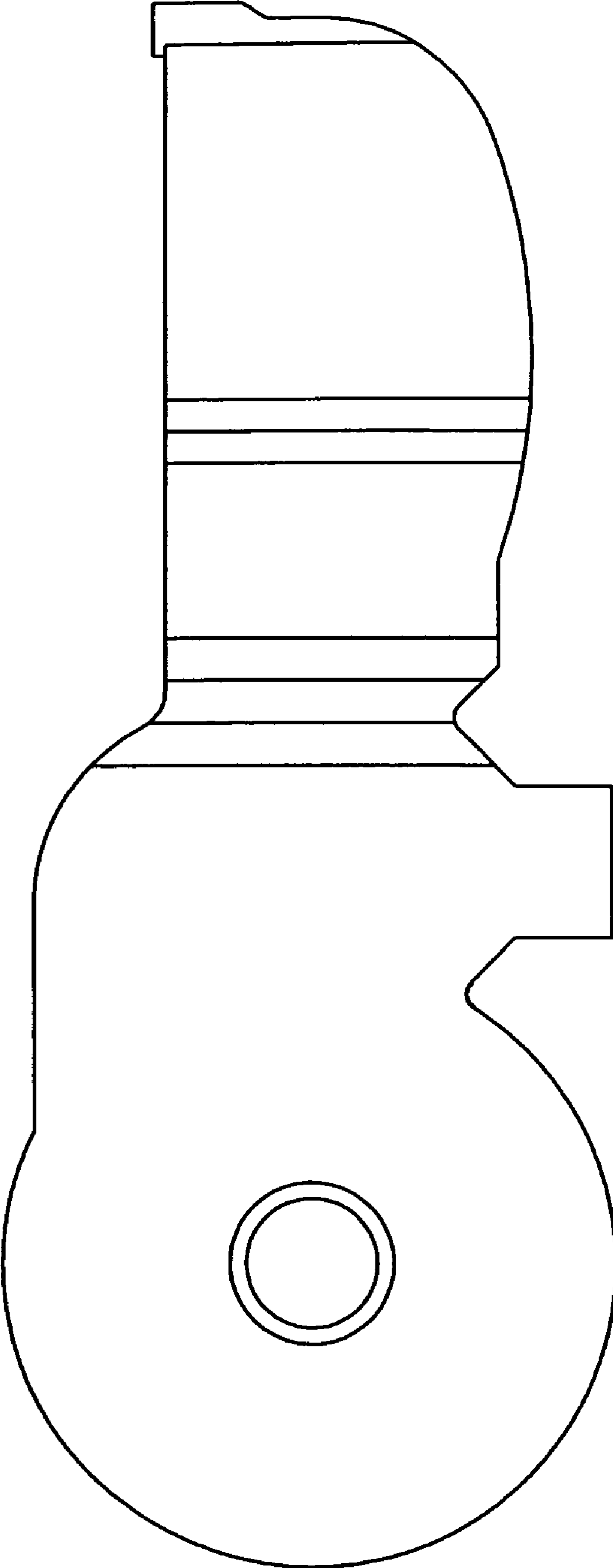


FIG. 4

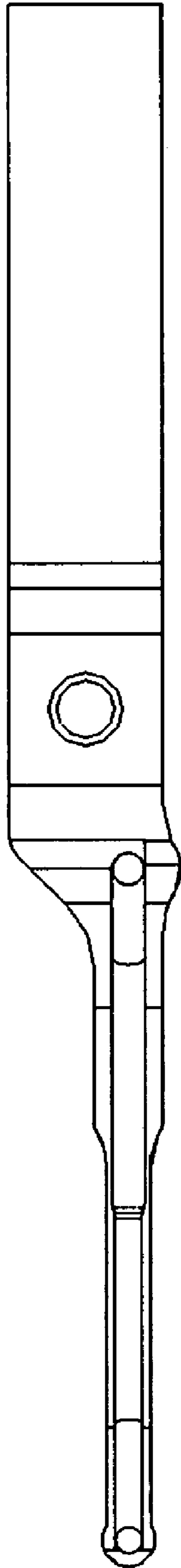


FIG. 5

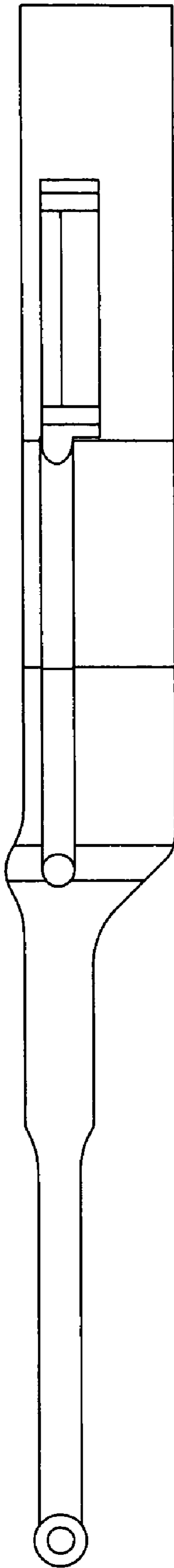


FIG. 6