

US00D562426S

(12) **United States Design Patent**  
**Goldsmith et al.**

(10) **Patent No.:** **US D562,426 S**

(45) **Date of Patent:** **\*\* Feb. 19, 2008**

(54) **TENT/SHADE STRUCTURE**

(75) Inventors: **Nicholas Goldsmith**, New York, NY (US); **Robert Lerner**, Port Washington, NY (US)

(73) Assignee: **FTL, L.L.C.**, New York, NY (US)

(\*\*) Term: **14 Years**

(21) Appl. No.: **29/269,697**

(22) Filed: **Dec. 7, 2006**

(51) **LOC (8) Cl.** ..... **21-04**

(52) **U.S. Cl.** ..... **D21/837; D25/56**

(58) **Field of Classification Search** ..... D21/834, D21/837; D25/20, 32, 56, 57; 135/90, 97, 135/99, 121, 126, 128, 156, 157, 117, 115  
See application file for complete search history.

(56) **References Cited**

**U.S. PATENT DOCUMENTS**

D326,494 S \* 5/1992 Dalland ..... D21/837  
D347,875 S \* 6/1994 Dalland ..... D21/837  
D414,539 S \* 9/1999 Dalland ..... D21/837

D530,023 S \* 10/2006 Haymann et al. .... D25/56  
D530,434 S \* 10/2006 Haymann et al. .... D25/56  
2001/0015218 A1\* 8/2001 Carter ..... 135/126

\* cited by examiner

*Primary Examiner*—Holly H. Baynham

*Assistant Examiner*—Cynthia M. Chin

(74) *Attorney, Agent, or Firm*—Fitzpatrick, Cella, Harper & Scinto

(57) **CLAIM**

The ornamental design for a tent/shade structure, as shown and described.

**DESCRIPTION**

FIG. 1 is a perspective view of a tent/shade structure showing our new design;

FIG. 2 is a top plan view thereof;

FIG. 3 is a side elevational view thereof;

FIG. 4 is an end view thereof; and,

FIG. 5 is a view of the opposite end thereof from the end as shown in FIG. 4.

**1 Claim, 3 Drawing Sheets**

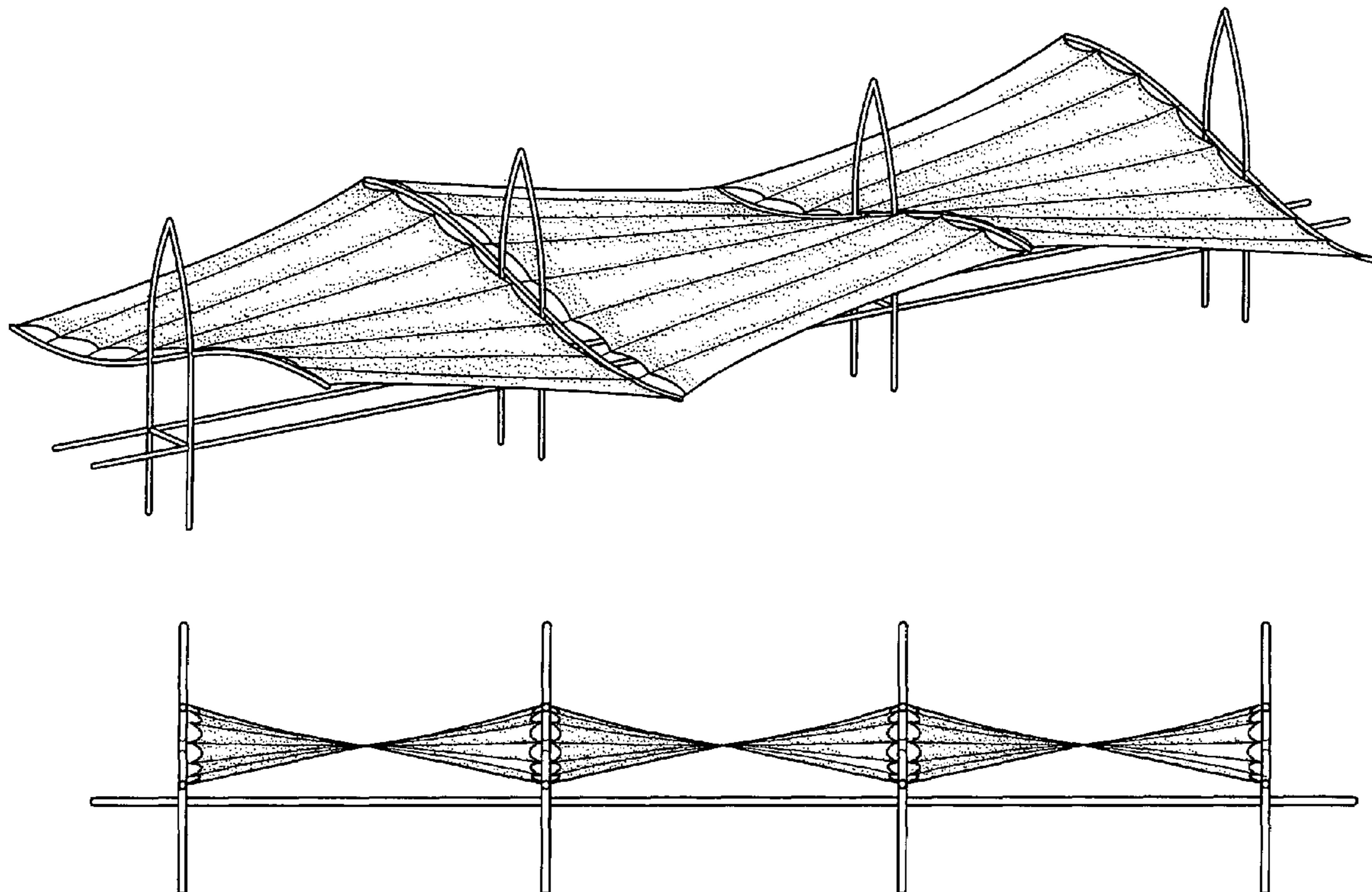


FIG. 1

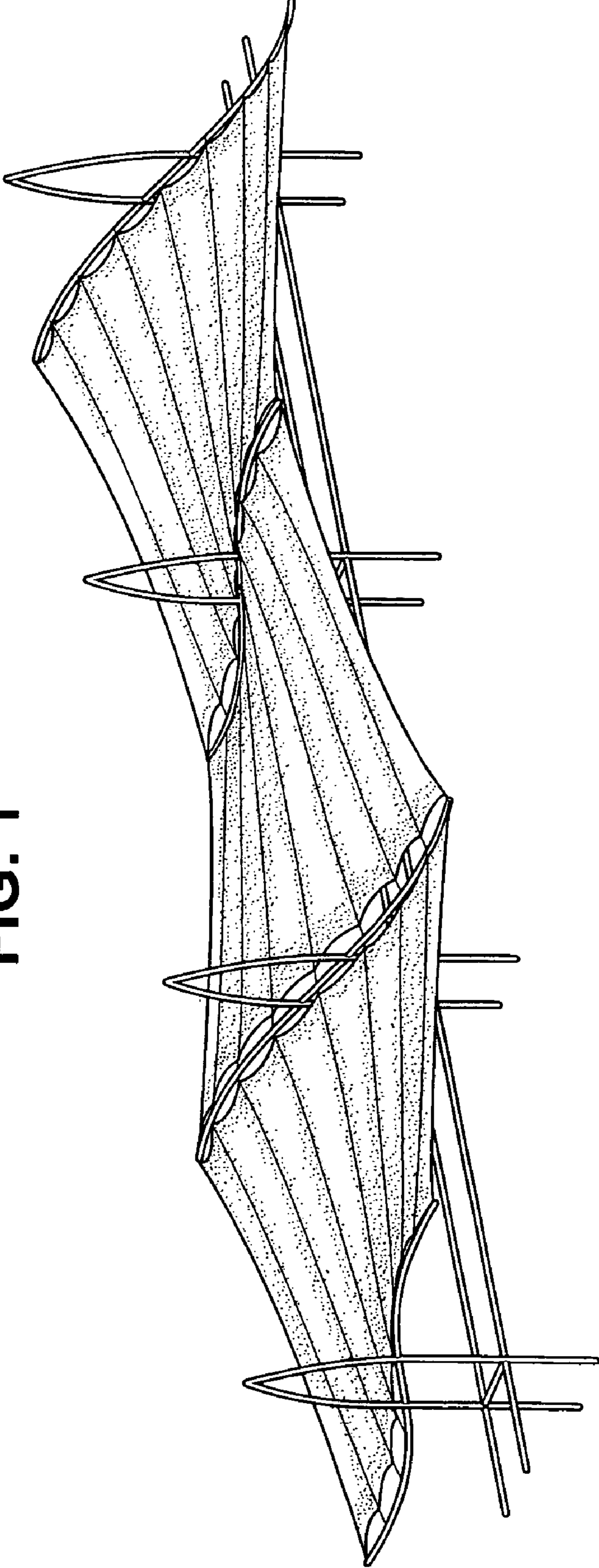


FIG. 2

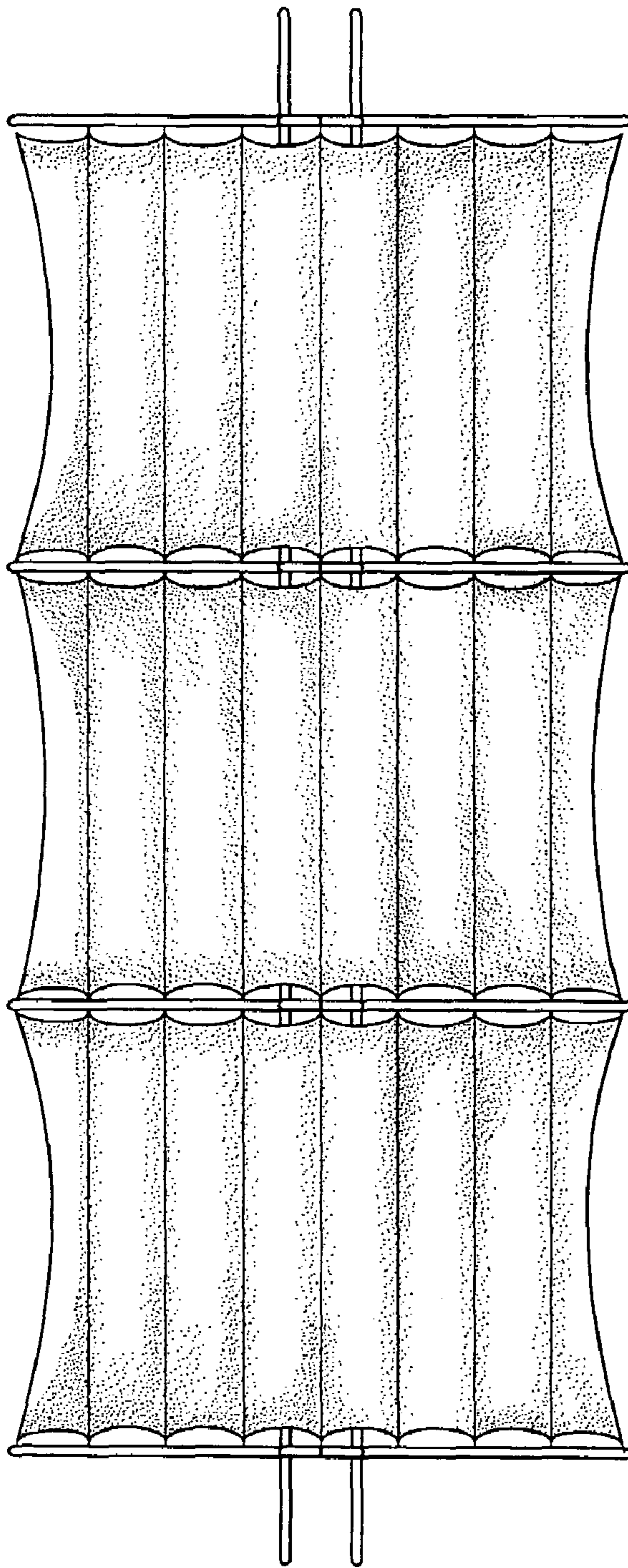
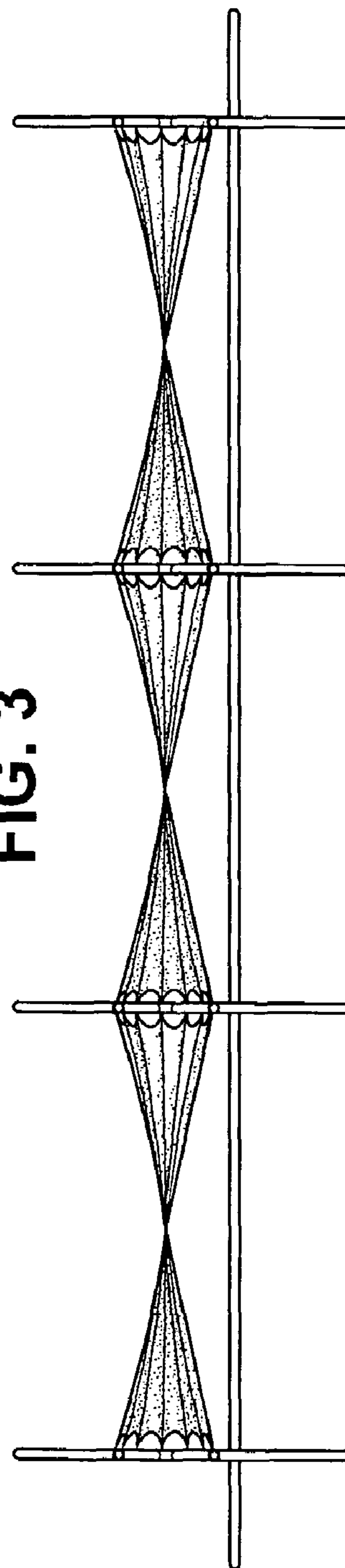
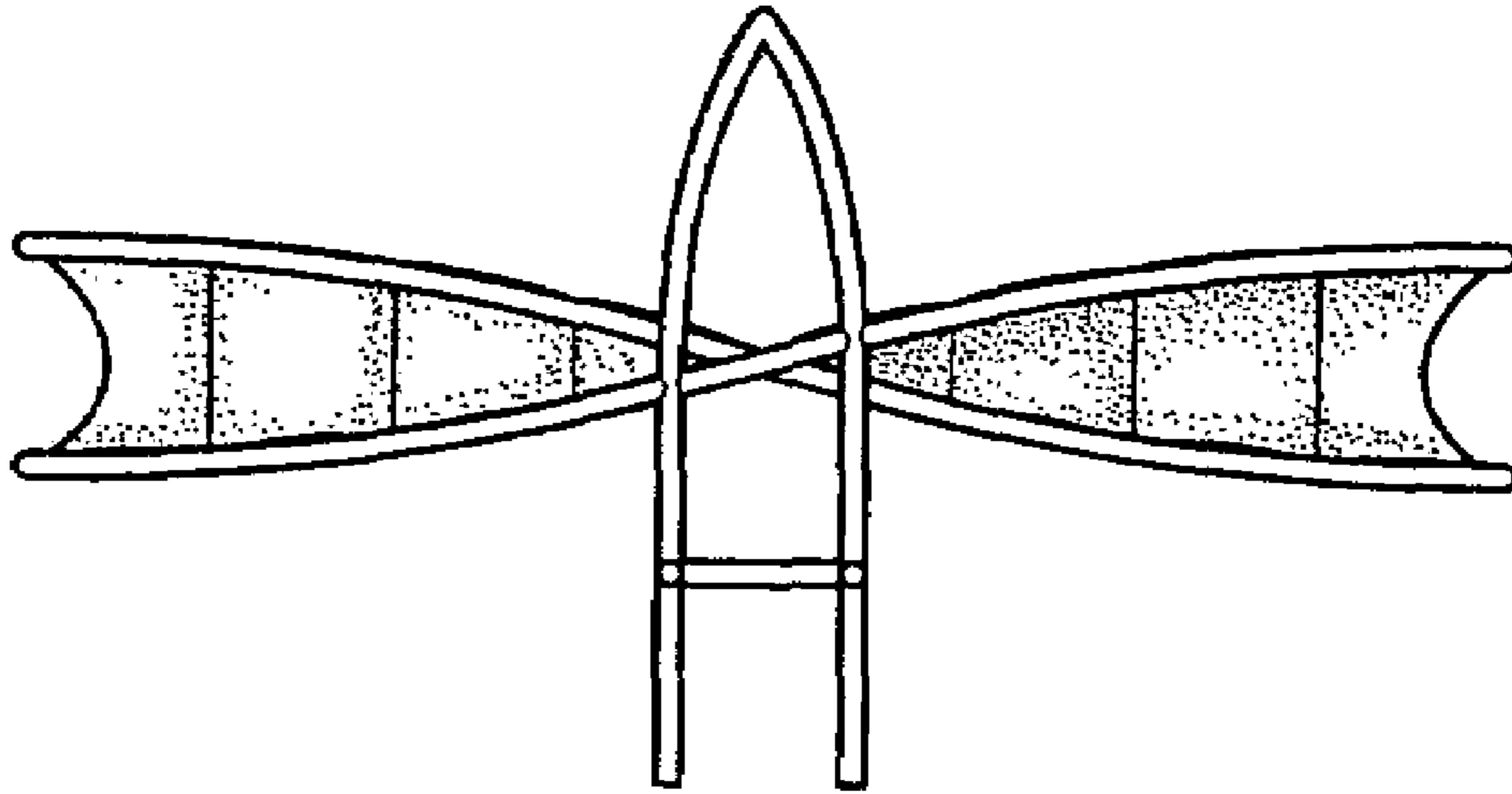


FIG. 3



**FIG. 4**



**FIG. 5**

