

US00D562423S

(12) **United States Design Patent**
Foster et al.

(10) **Patent No.:** **US D562,423 S**
(45) **Date of Patent:** **** Feb. 19, 2008**

(54) **IRON GOLF CLUB HEAD**

(75) Inventors: **Philip G. Foster**, Vista, CA (US); **Luke R. Williams**, Carlsbad, CA (US); **Chris J. Wieland**, Vista, CA (US); **Mark Noyes**, Rancho Santa Margarita, CA (US)

(73) Assignee: **Callaway Golf Company**, Carlsbad, CA (US)

(**) Term: **14 Years**

(21) Appl. No.: **29/276,649**

(22) Filed: **Jan. 31, 2007**

(51) **LOC (8) Cl.** **21-02**

(52) **U.S. Cl.** **D21/759**

(58) **Field of Classification Search** D21/747-751,
D21/759; 473/324-331, 350
See application file for complete search history.

(56) **References Cited**

U.S. PATENT DOCUMENTS

- D454,606 S * 3/2002 Helmstetter et al. D21/747
- D496,419 S * 9/2004 Lang et al. D21/747
- D498,277 S * 11/2004 Lang et al. D21/747
- D505,466 S * 5/2005 Lang et al. D21/749
- D507,816 S * 7/2005 Lang et al. D21/759

- D510,115 S * 9/2005 Lang et al. D21/749
- D512,757 S * 12/2005 Cleveland et al. D21/747
- D533,245 S * 12/2006 Cleveland et al. D21/747
- D544,055 S * 6/2007 Wieland et al. D21/747

* cited by examiner

Primary Examiner—Mitchell Siegel

(74) *Attorney, Agent, or Firm*—Michael A. Catania; Elaine H. Lo

(57) **CLAIM**

The ornamental design for an iron golf club head, as shown and described.

DESCRIPTION

FIG. 1 is a rear elevational view of a golf club head;

FIG. 2 is a toe end view thereof;

FIG. 3 is a front elevational view thereof;

FIG. 4 is a top perspective view thereof;

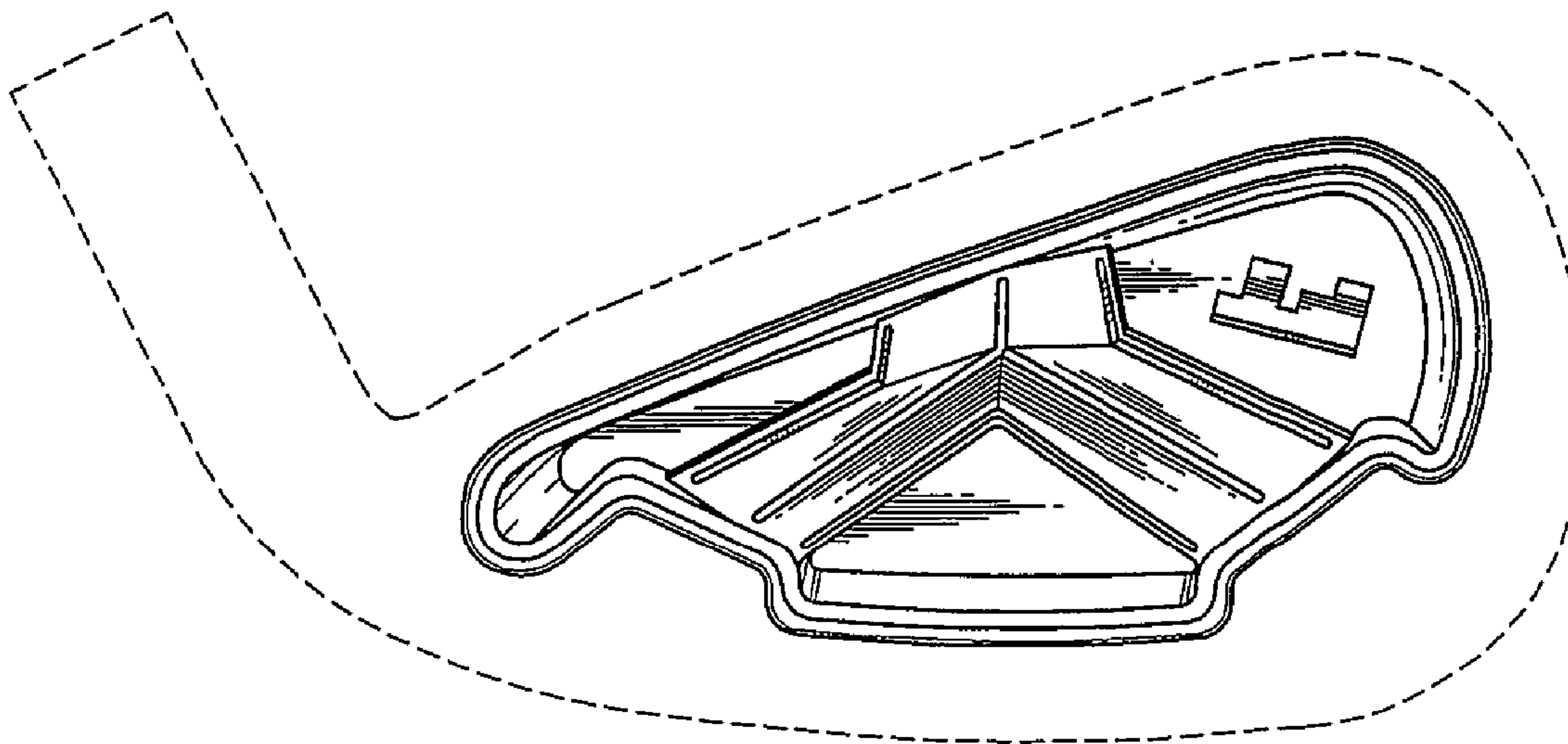
FIG. 5 is a heel end view thereof;

FIG. 6 is a top plan view thereof; and,

FIG. 7 is a bottom plan view thereof.

The broken line showing is included for the purpose of illustrating and forms no part of the claimed design.

1 Claim, 2 Drawing Sheets



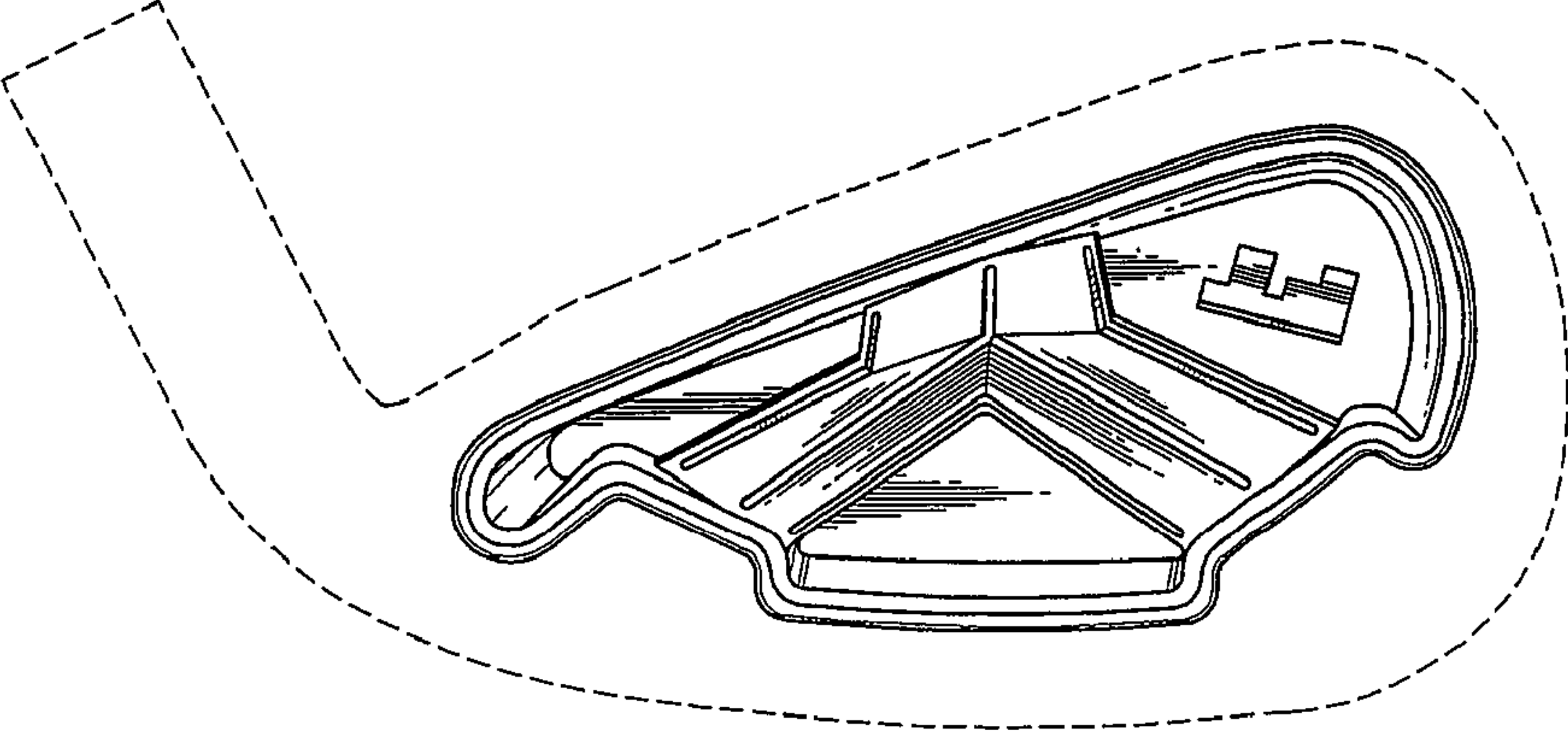


FIG. 1

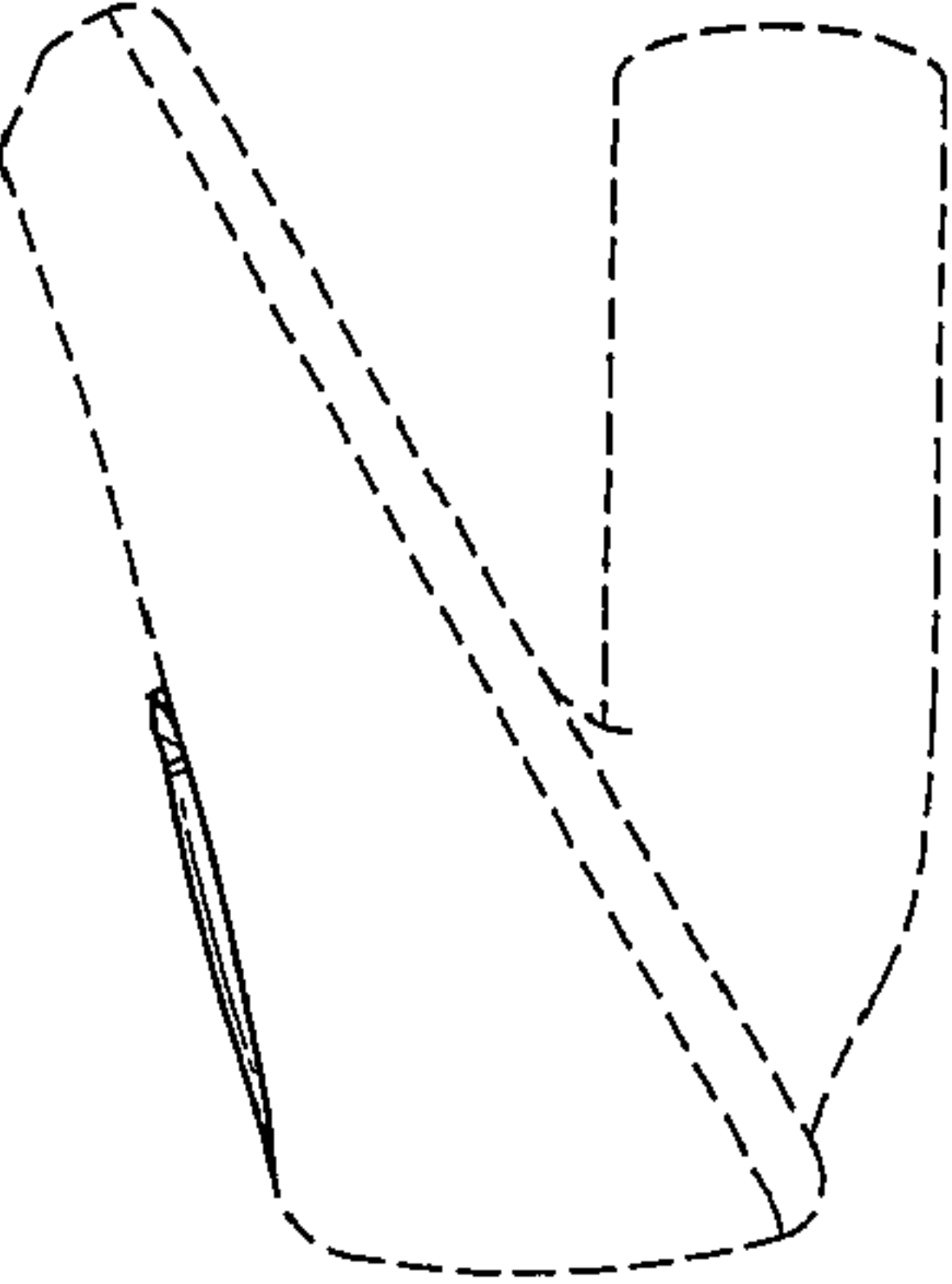


FIG. 2

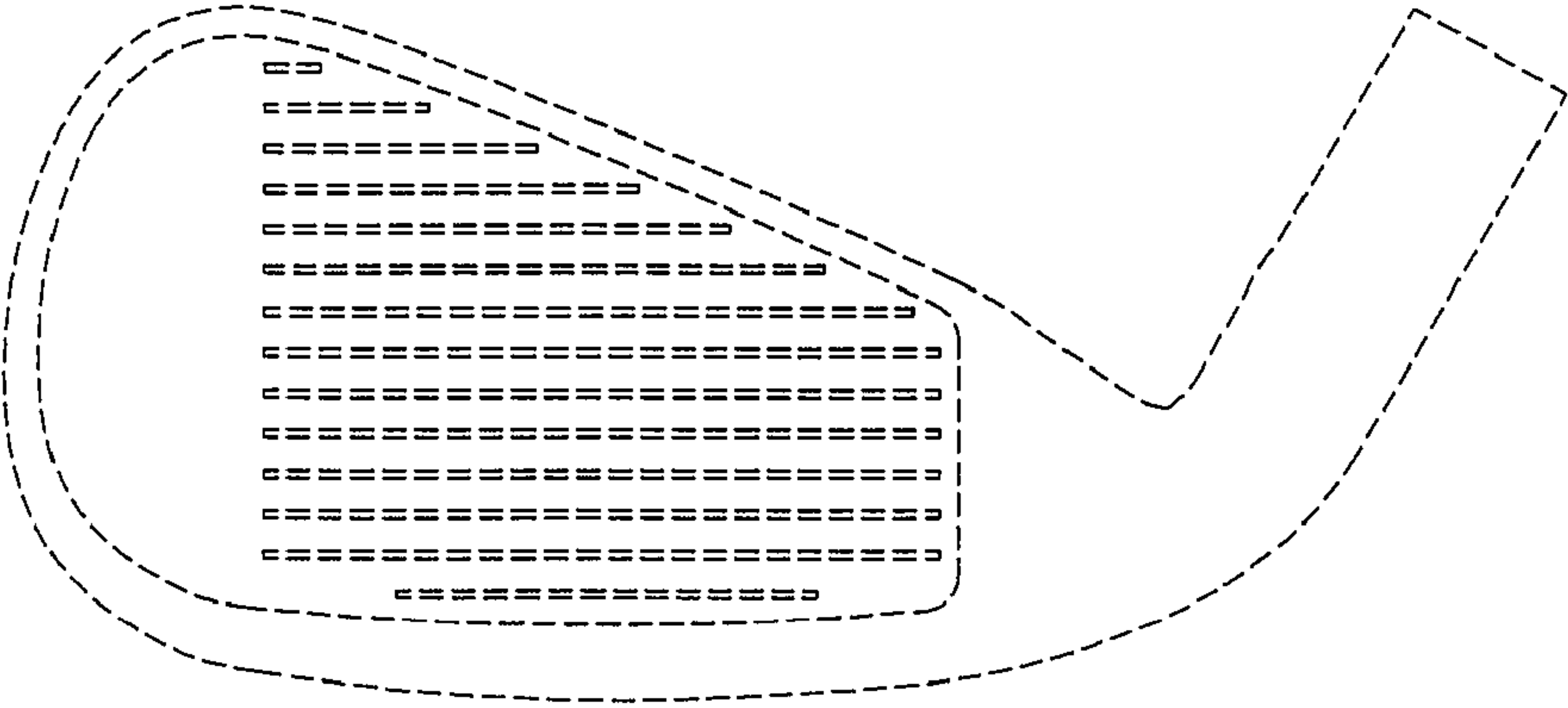


FIG. 3

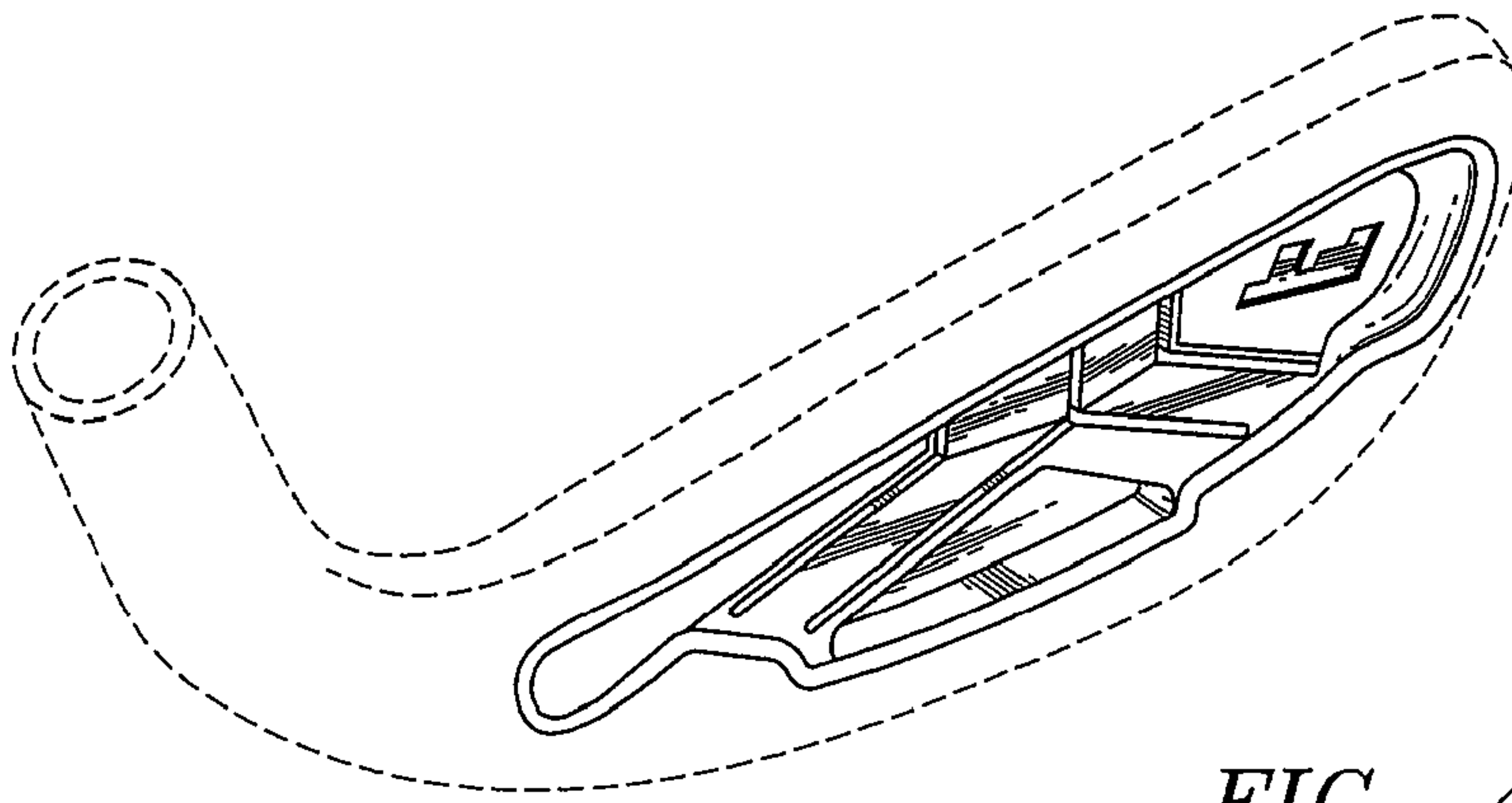


FIG. 4

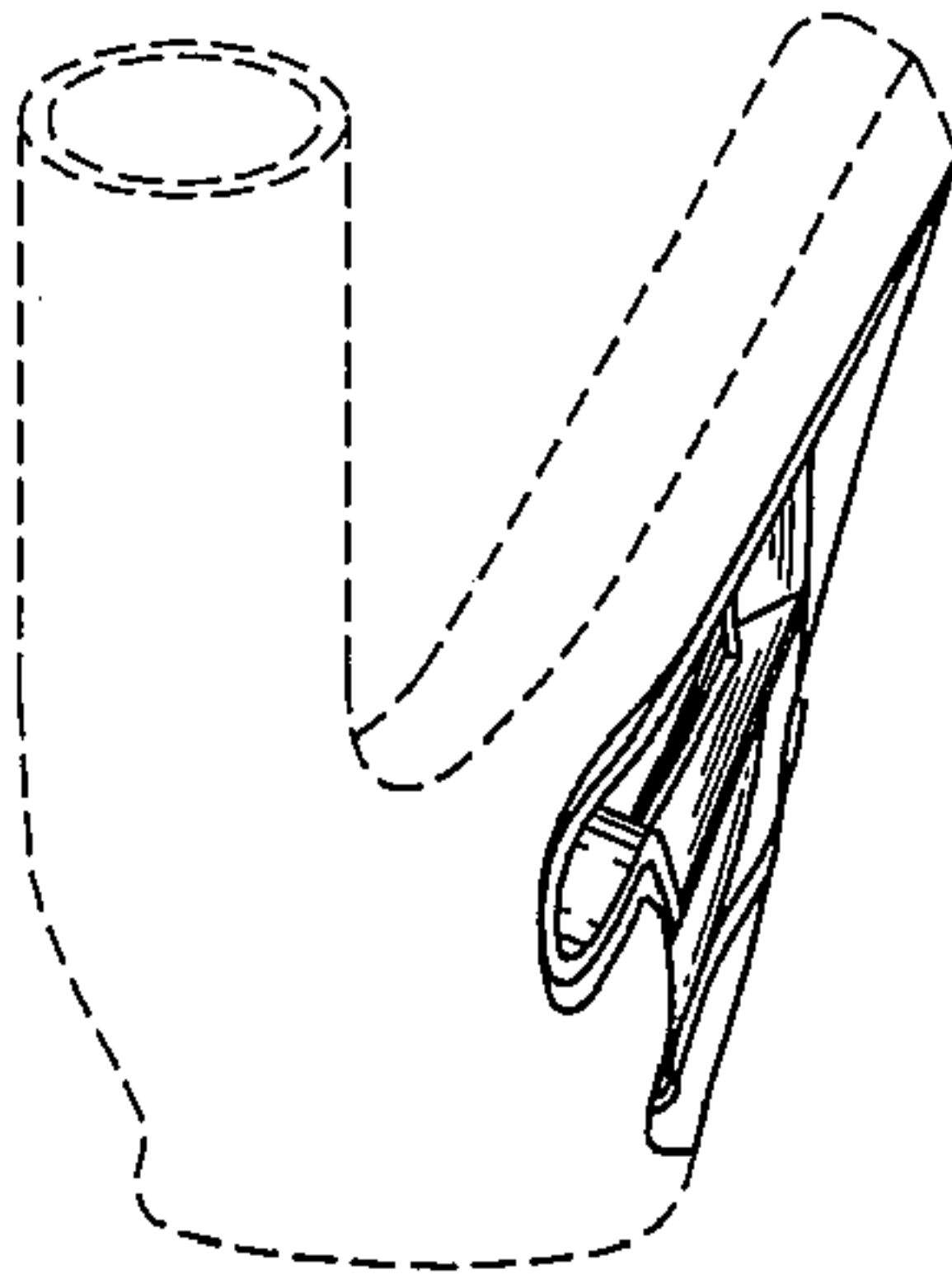


FIG. 5

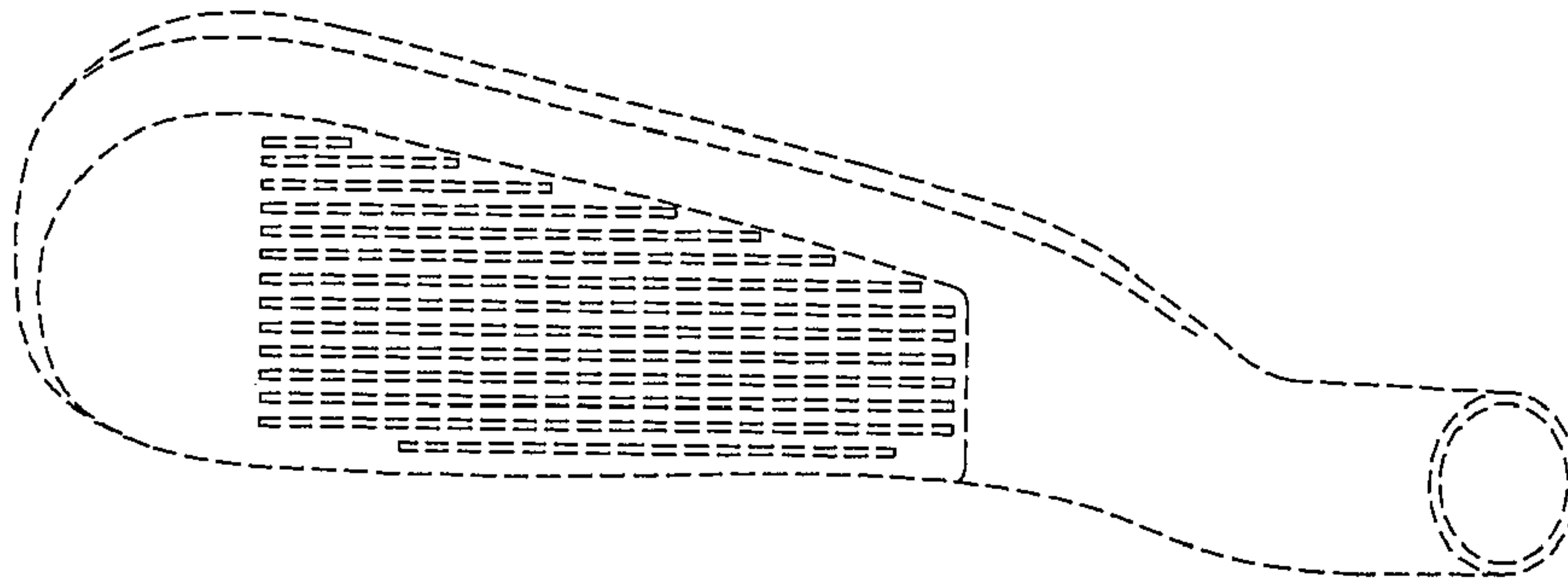


FIG. 6

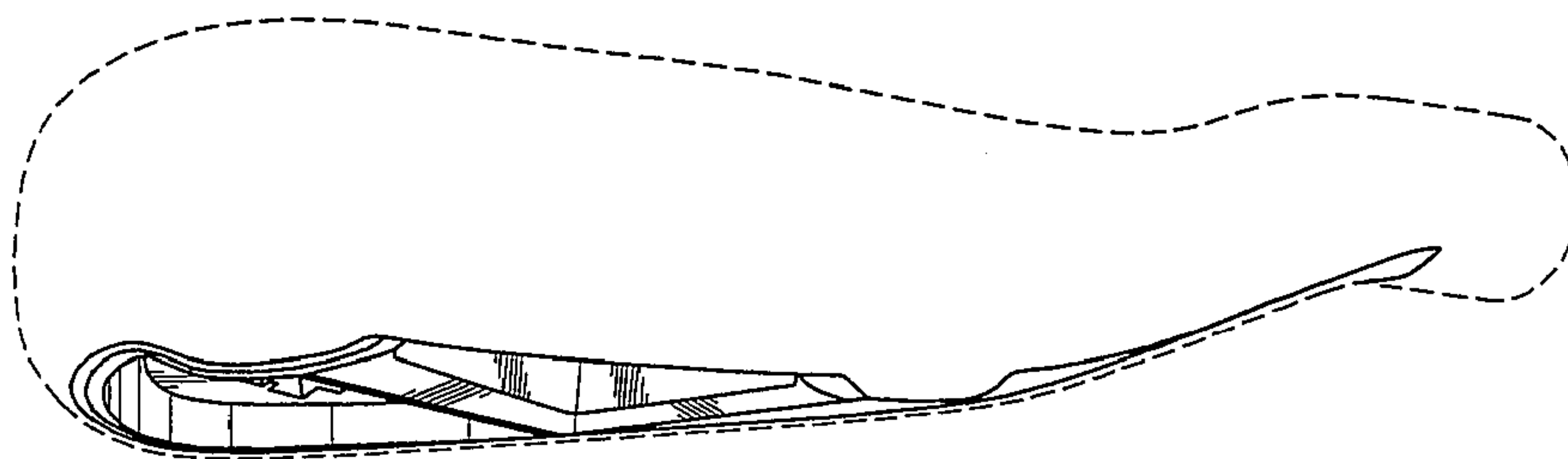


FIG. 7