

US00D562418S

(12) **United States Design Patent**
Sifrit

(10) **Patent No.:** **US D562,418 S**

(45) **Date of Patent:** **** *Feb. 19, 2008**

(54) **GOAL COVER**

(76) Inventor: **Robert Sifrit**, 1203 W. Marion Ave.,
Punta Gorda, FL (US) 33950

(*) Notice: This patent is subject to a terminal disclaimer.

(**) Term: **14 Years**

(21) Appl. No.: **29/247,607**

(22) Filed: **Jun. 28, 2006**

(51) **LOC (8) Cl.** **21-02**

(52) **U.S. Cl.** **D21/699**

(58) **Field of Classification Search** D21/302,
D21/303, 305, 698, 699, 705, 788-790, 837;
D6/332, 610; D25/53, 54; 473/415-504;
273/348-410; 150/154; 52/3-5; 135/87-120.4,
135/900-902; 160/352, 368.1
See application file for complete search history.

(56) **References Cited**

U.S. PATENT DOCUMENTS

| | | | | | | |
|-----------|---|---|---------|-------------|-------|---------|
| 3,982,761 | A | * | 9/1976 | DeVogelaere | | 273/410 |
| 4,083,562 | A | * | 4/1978 | Zepper | | 473/478 |
| 5,180,167 | A | * | 1/1993 | Felix | | 473/197 |
| 5,226,264 | A | * | 7/1993 | Walters | | 52/63 |
| 5,839,980 | A | * | 11/1998 | Kendy | | 473/478 |

| | | | | | | |
|--------------|----|---|--------|--------------|-------|-----------|
| 5,865,691 | A | * | 2/1999 | Chen | | 473/416 |
| 5,951,415 | A | * | 9/1999 | Gates et al. | | 473/478 |
| D460,134 | S | * | 7/2002 | Jones | | D21/701 |
| 6,530,844 | B2 | * | 3/2003 | Lin | | 473/197 |
| 6,607,455 | B1 | * | 8/2003 | Petras | | 473/478 |
| 2005/0000556 | A1 | * | 1/2005 | Chang | | 135/138 |
| 2006/0180284 | A1 | * | 8/2006 | Wiggins | | 160/368.1 |

* cited by examiner

Primary Examiner—Catherine Tuttle

(57) **CLAIM**

The ornamental design for the goal cover, as shown and described.

DESCRIPTION

FIG. 1 is a perspective view of my design for a goal cover, shown mounted to a soccer goal;
FIG. 2 is a front elevational view of the design;
FIG. 3 is a rear elevational view of the design;
FIG. 4 is a left-side elevational view of the design;
FIG. 5 is a right-side elevational view of the design;
FIG. 6 is a top plan view of the design; and,
FIG. 7 is a bottom plan view of the design.
The broken line showing of the soccer goal is included for the purpose of illustrating environment only; and forms no part of the claimed design.

1 Claim, 2 Drawing Sheets

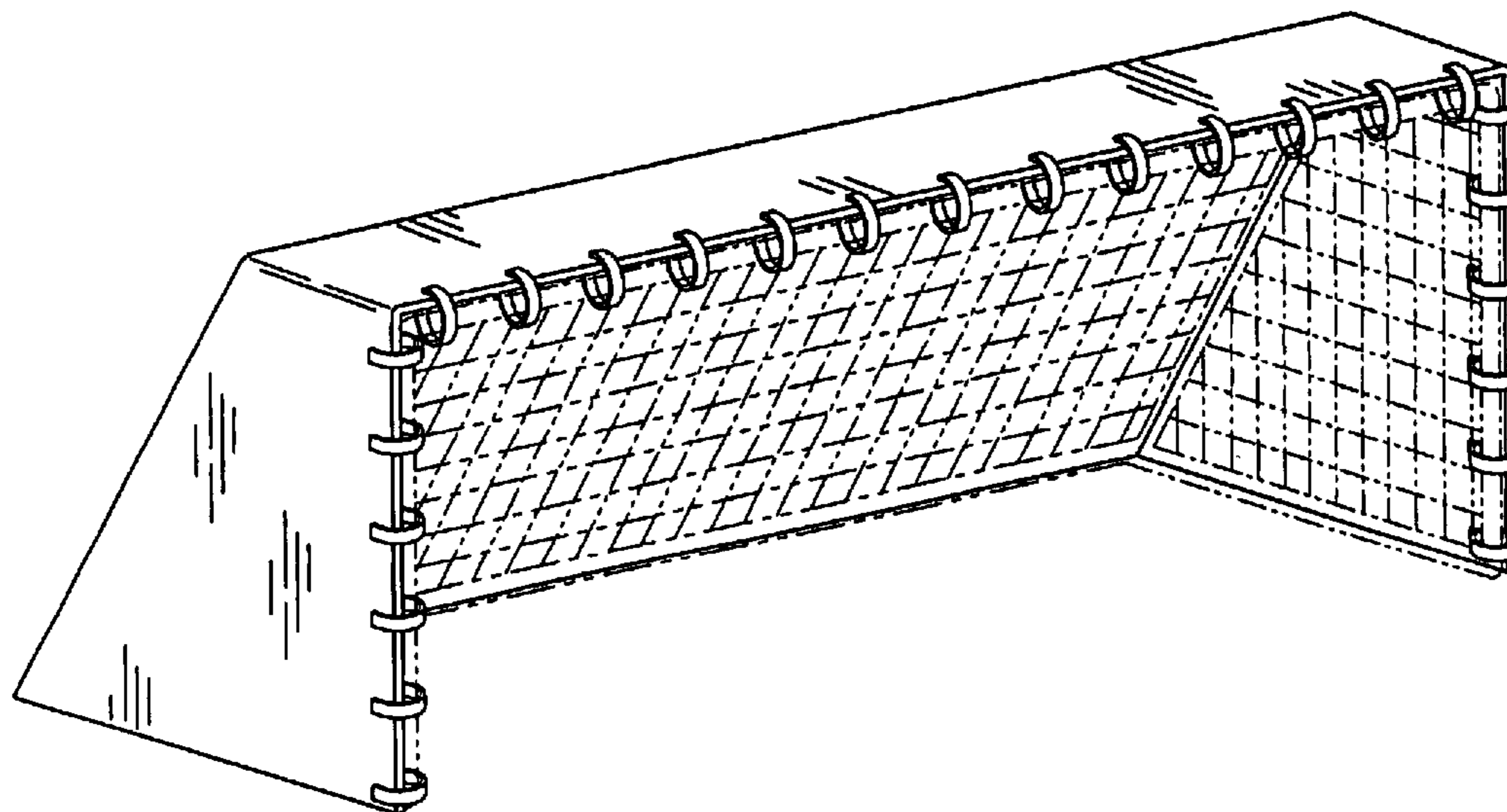


FIG. 1

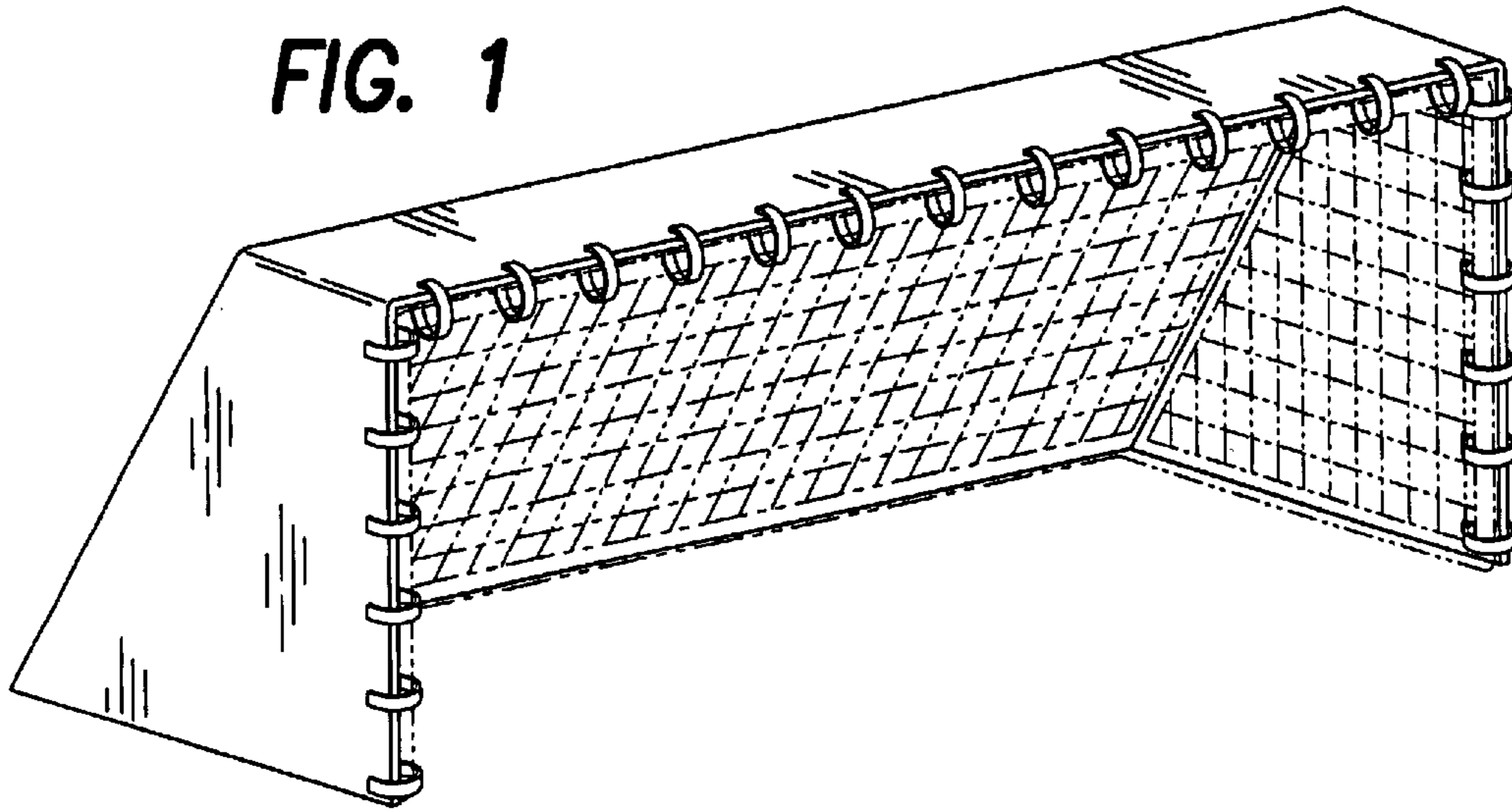


FIG. 2

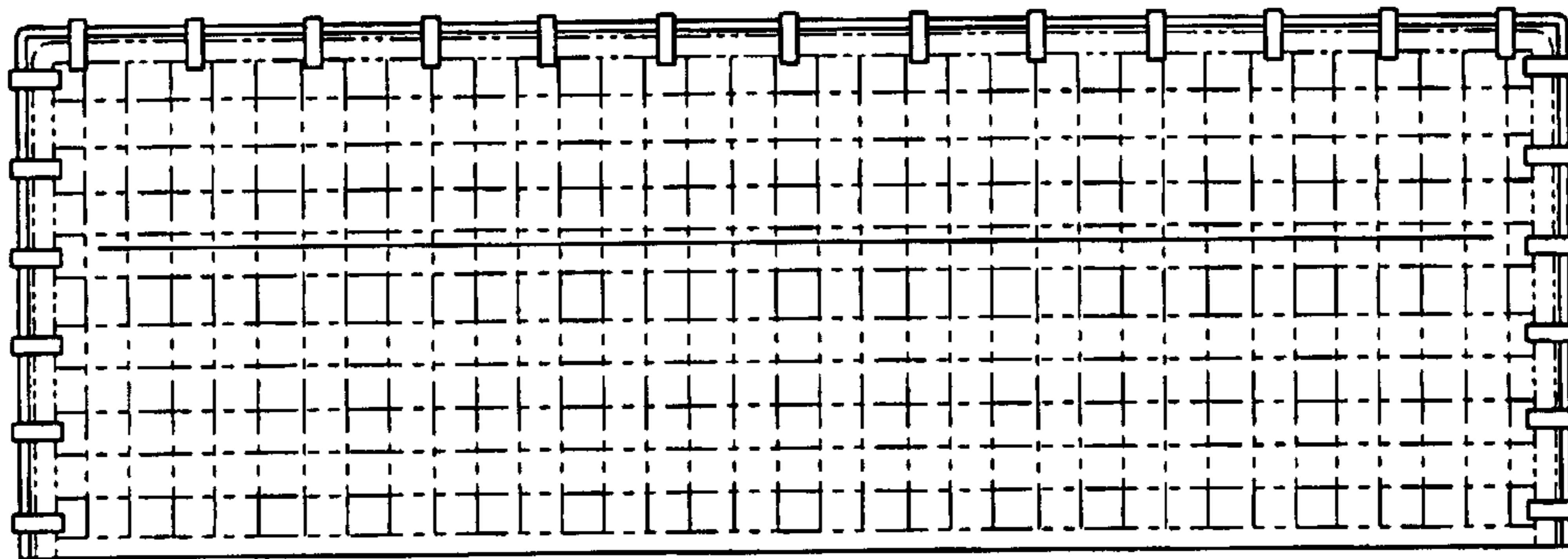


FIG. 3

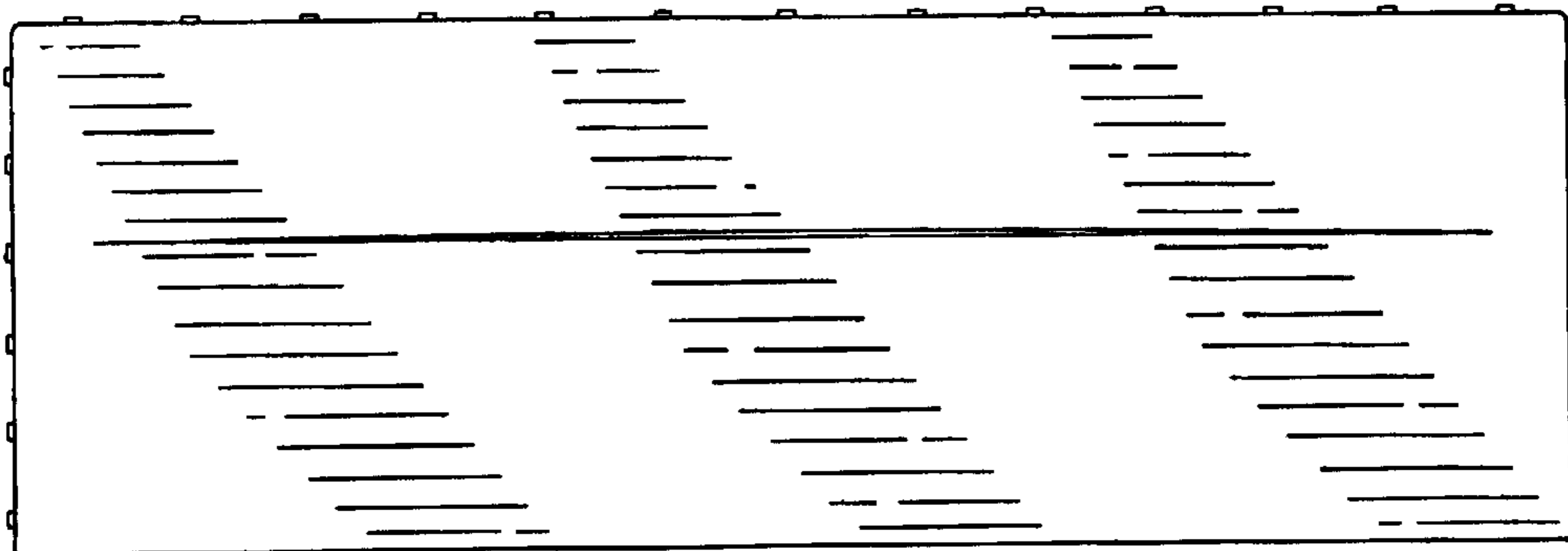


FIG. 4

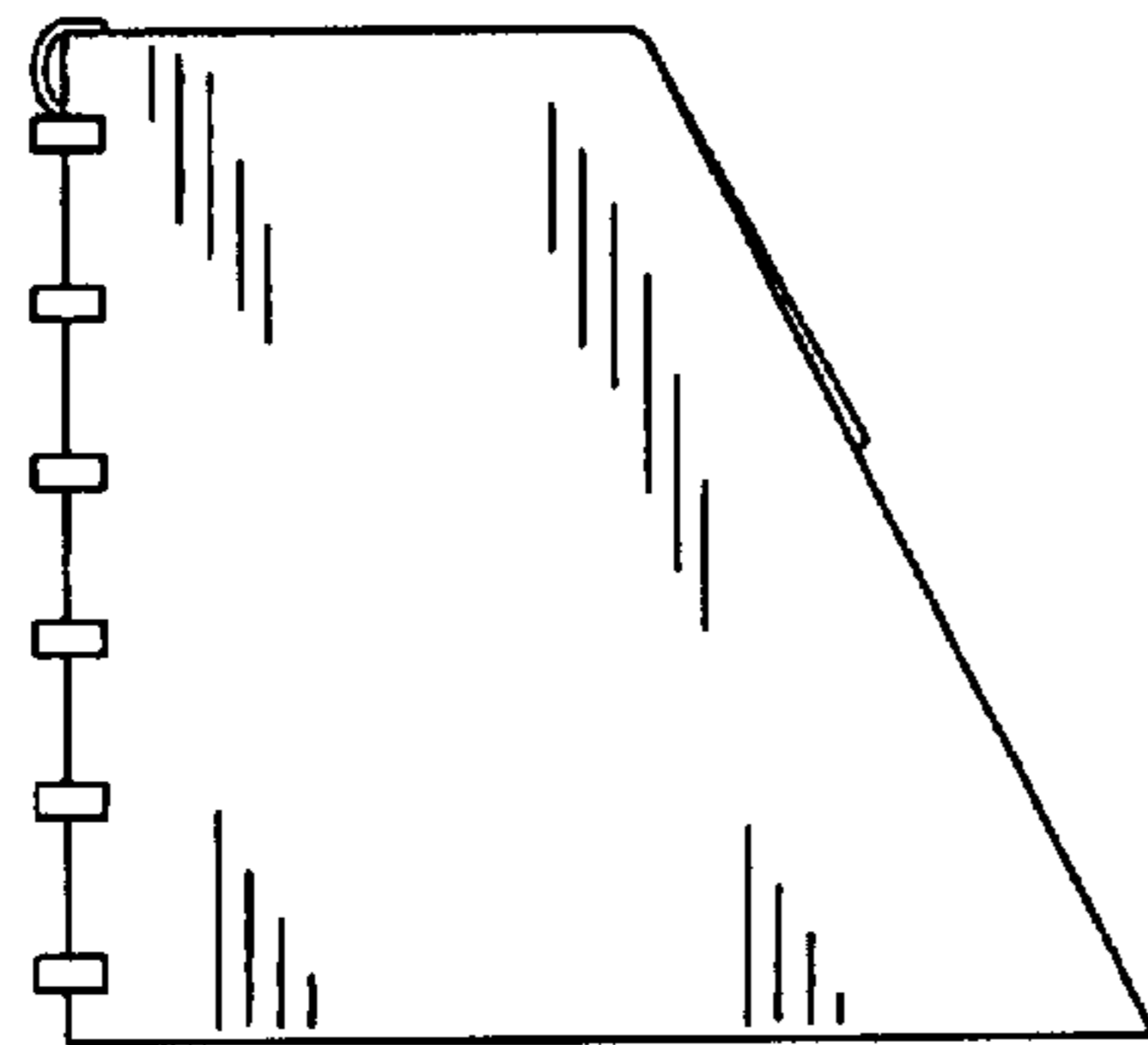


FIG. 5

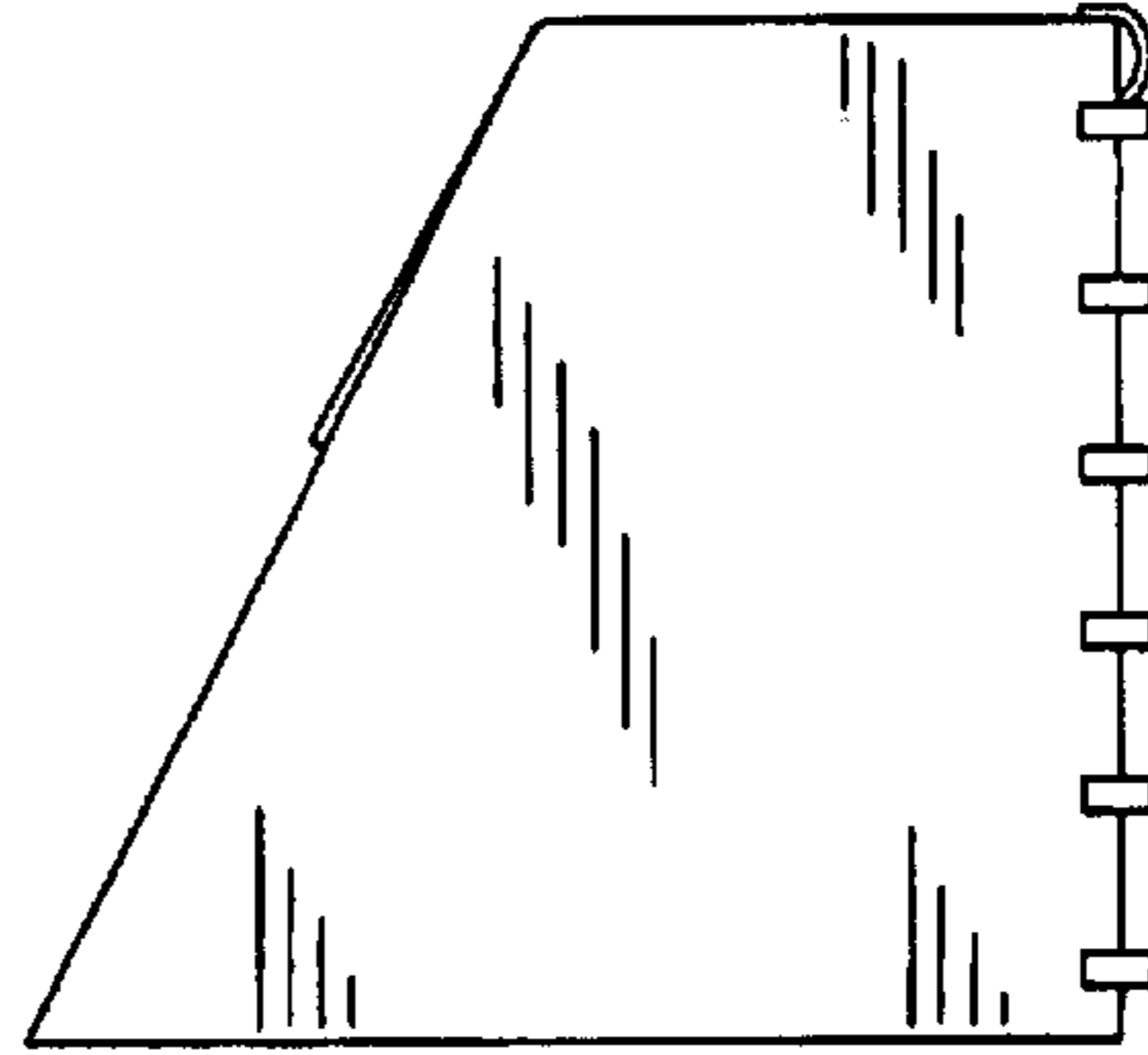


FIG. 6

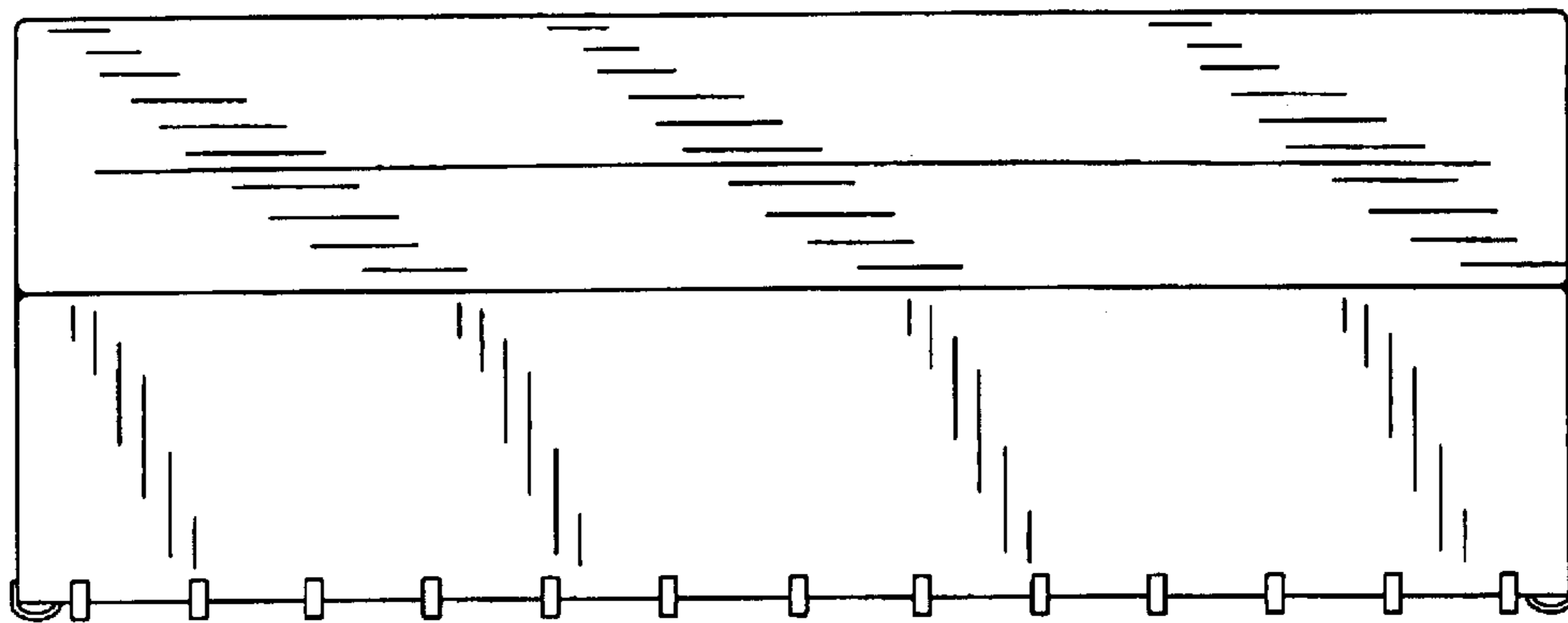


FIG. 7

