

US00D562417S

(12) **United States Design Patent**
Noojin

(10) **Patent No.:** **US D562,417 S**

(45) **Date of Patent:** **** Feb. 19, 2008**

(54) **ATHLETIC TRAINING SLED**

(76) **Inventor:** **William B Noojin**, P.O. Box 445,
Huntsville, AL (US) 35804

(**) **Term:** **14 Years**

(21) **Appl. No.:** **29/273,551**

(22) **Filed:** **Mar. 8, 2007**

(51) **LOC (8) Cl.** **21-02**

(52) **U.S. Cl.** **D21/698; D21/788**

(58) **Field of Classification Search** D12/1,
D12/6-11, 101, 302; D21/788, 698, 780,
D21/791, 680, 694, 671, 679; 473/441, 445,
473/440, 415, 422, 438, 443, 482, 473, 437,
473/444

See application file for complete search history.

(56) **References Cited**

U.S. PATENT DOCUMENTS

1,286,217	A *	12/1918	Brandes	280/14.27
D148,741	S *	2/1948	Anderson	D12/8
D159,950	S *	9/1950	Brown	D12/8
D217,482	S *	5/1970	Pray	D21/788
3,921,998	A *	11/1975	Broughton et al.	280/19
5,385,523	A *	1/1995	Forrest	473/445
D363,902	S *	11/1995	Wright	D12/8

D466,834	S	12/2002	Oldendorph	
D466,963	S	12/2002	Forrest	
D477,797	S *	7/2003	McCoy et al. D12/101
D478,954	S	8/2003	Forrest	
6,942,585	B1 *	9/2005	Krause 473/445
2005/0023779	A1 *	2/2005	Kalvelage 280/19

* cited by examiner

Primary Examiner—Robert M. Spear
Assistant Examiner—Anna K Dworzecka

(57) **CLAIM**

The ornamental design for an athletic training sled, as shown and described.

DESCRIPTION

FIG. 1 shows a top perspective view of an athletic training sled.

FIG. 2 shows a right side view with the left side being a mirror image thereof.

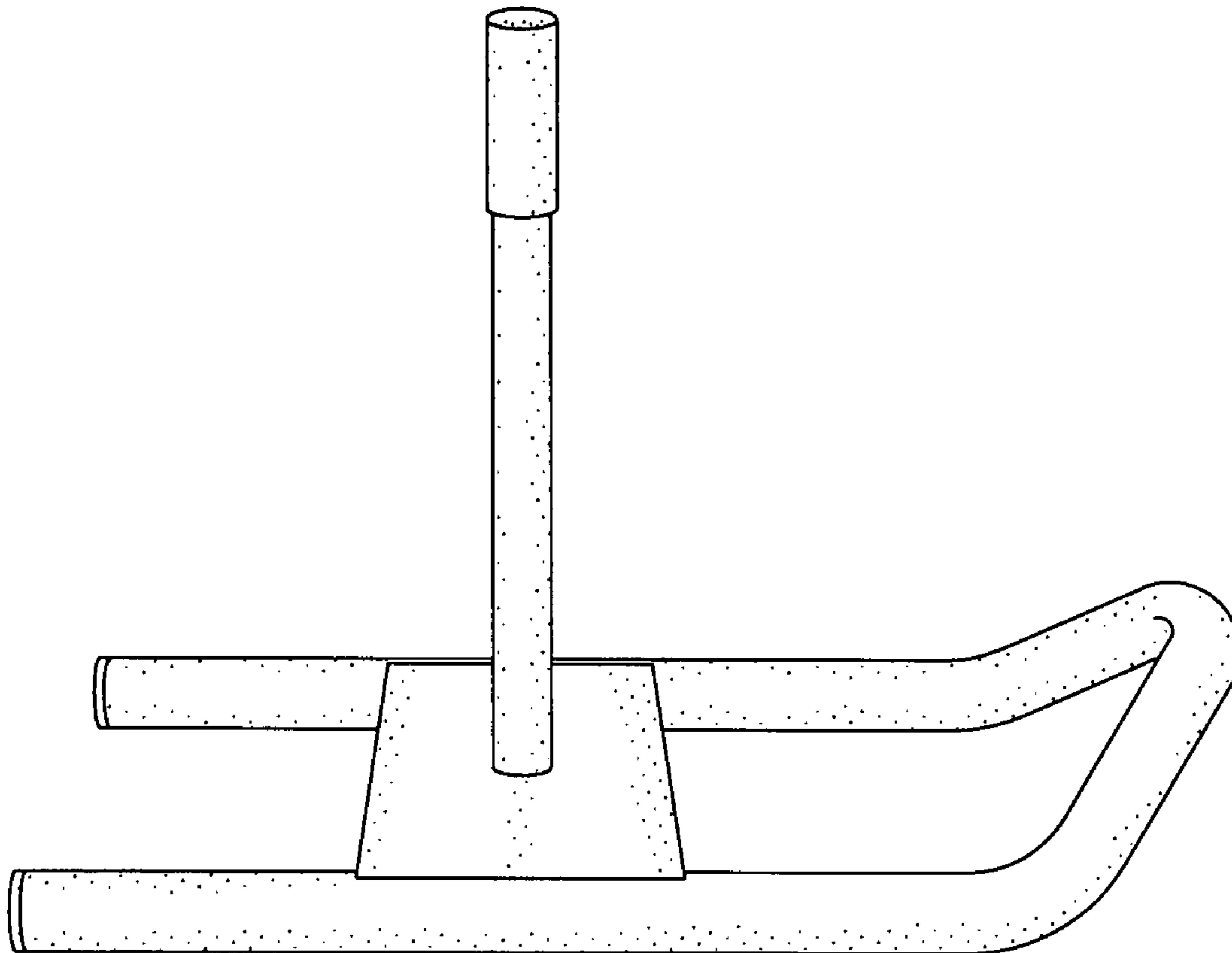
FIG. 3 shows a front view thereof.

FIG. 4 shows a rear view thereof.

FIG. 5 shows a top view thereof; and,

FIG. 6 shows a bottom view thereof.

1 Claim, 3 Drawing Sheets



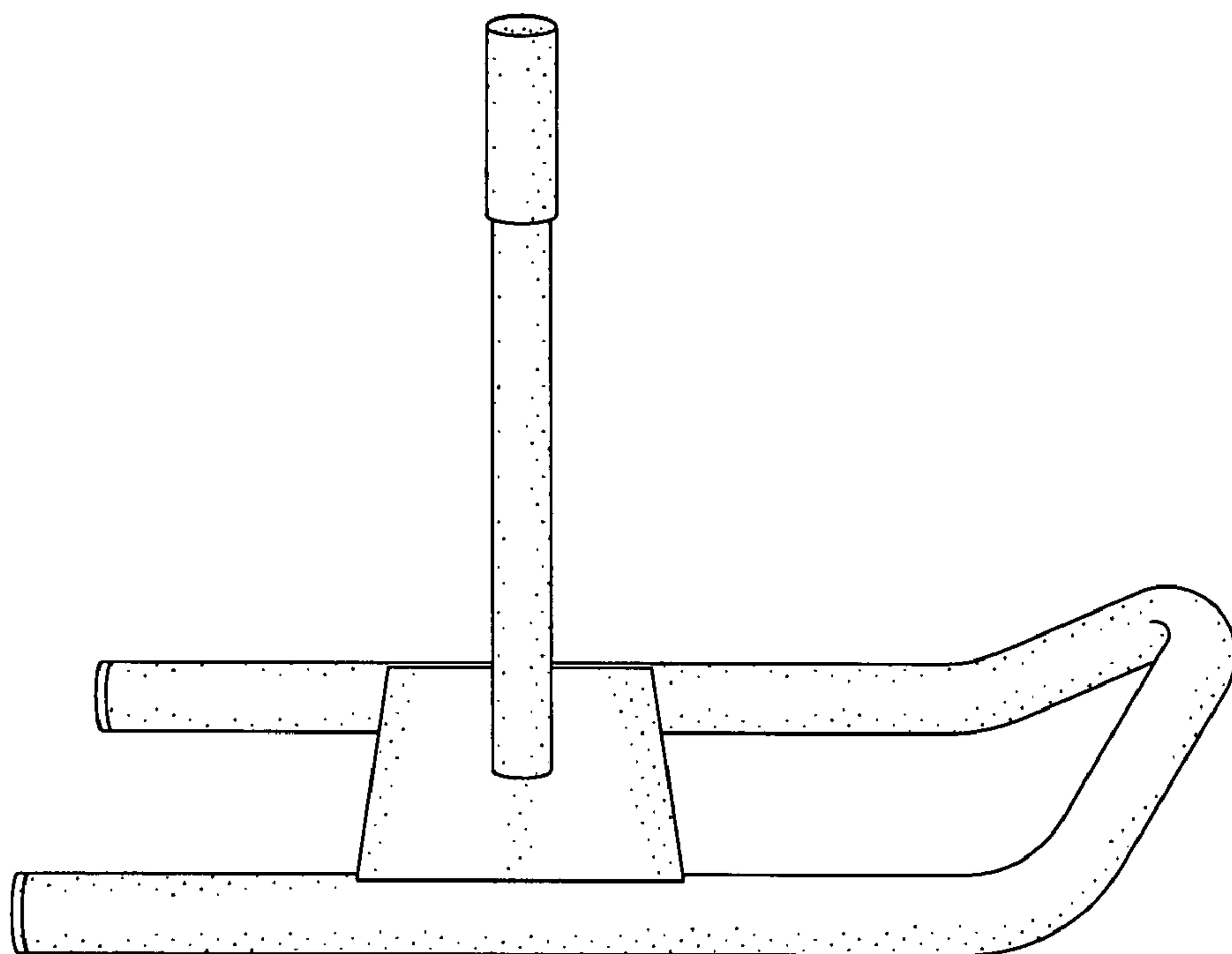


FIG. 1

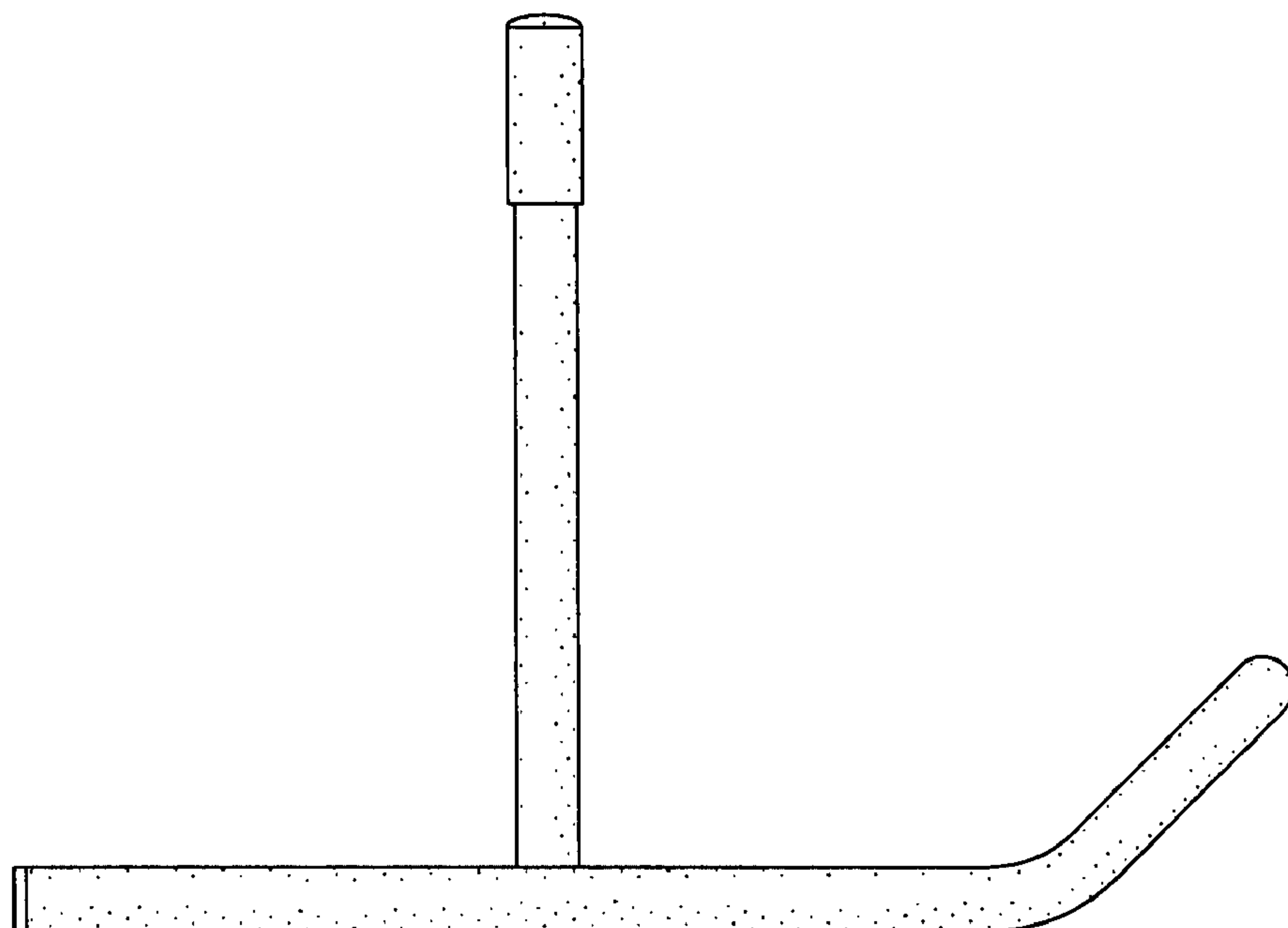


FIG. 2

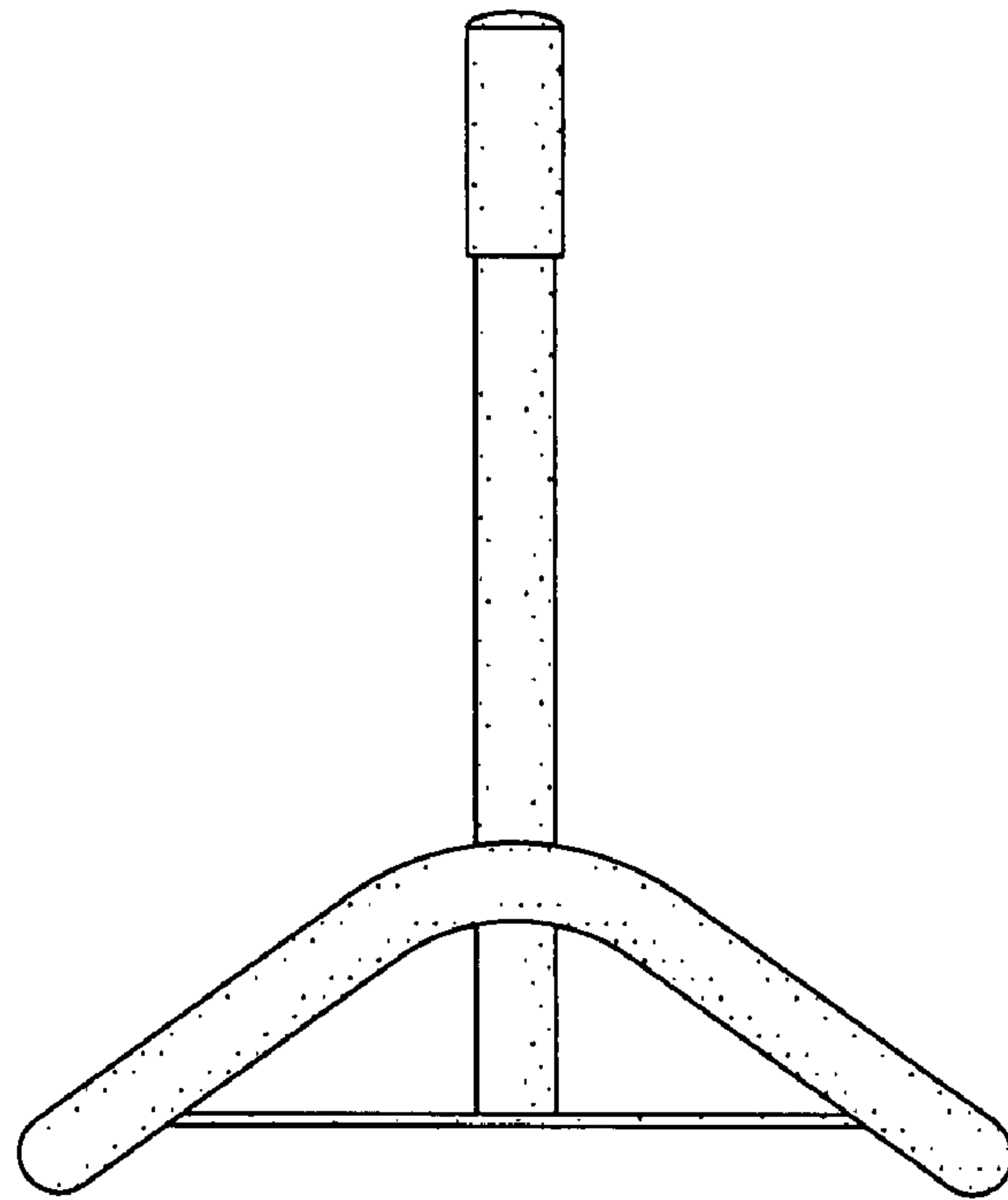


FIG. 3

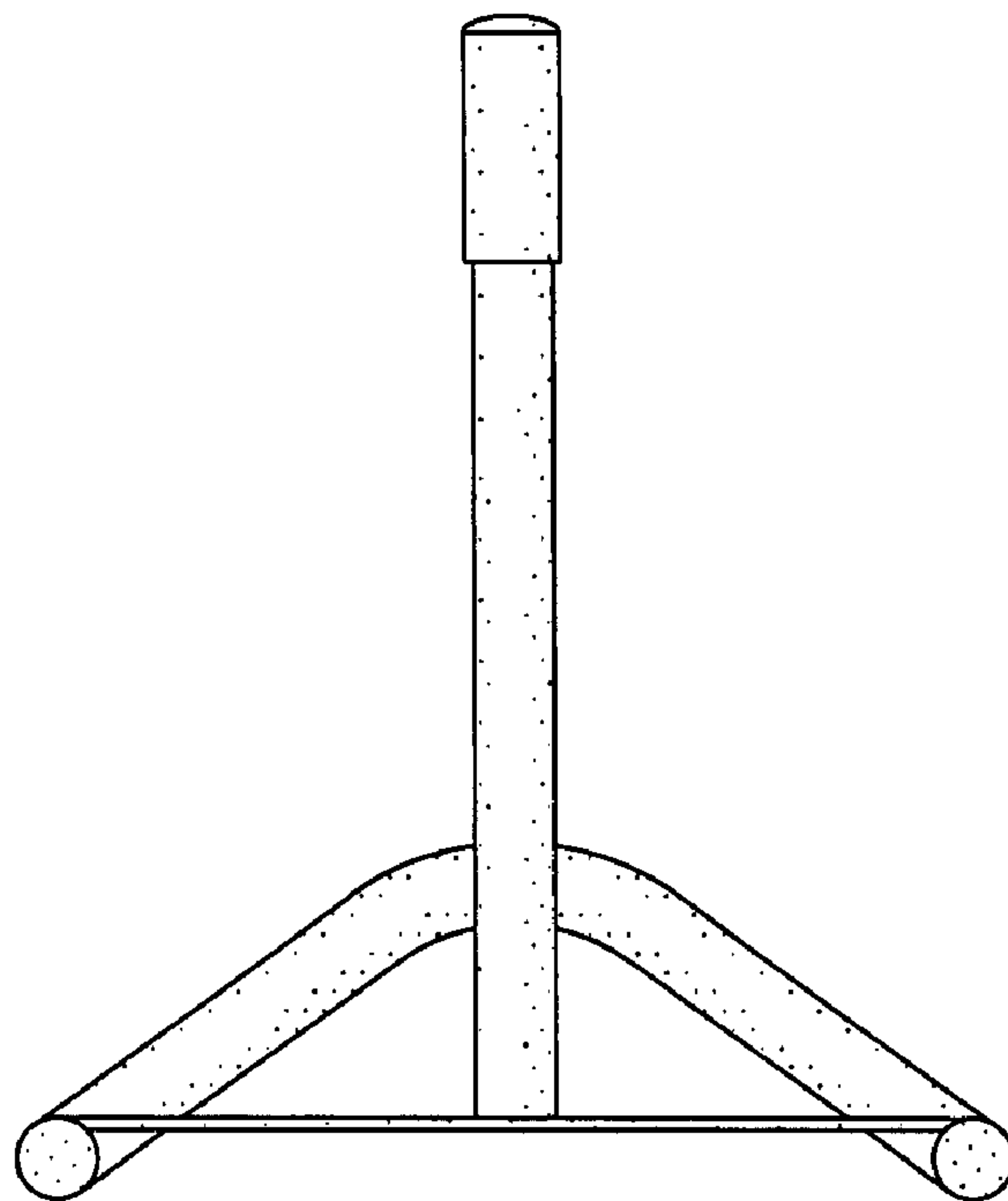


FIG. 4

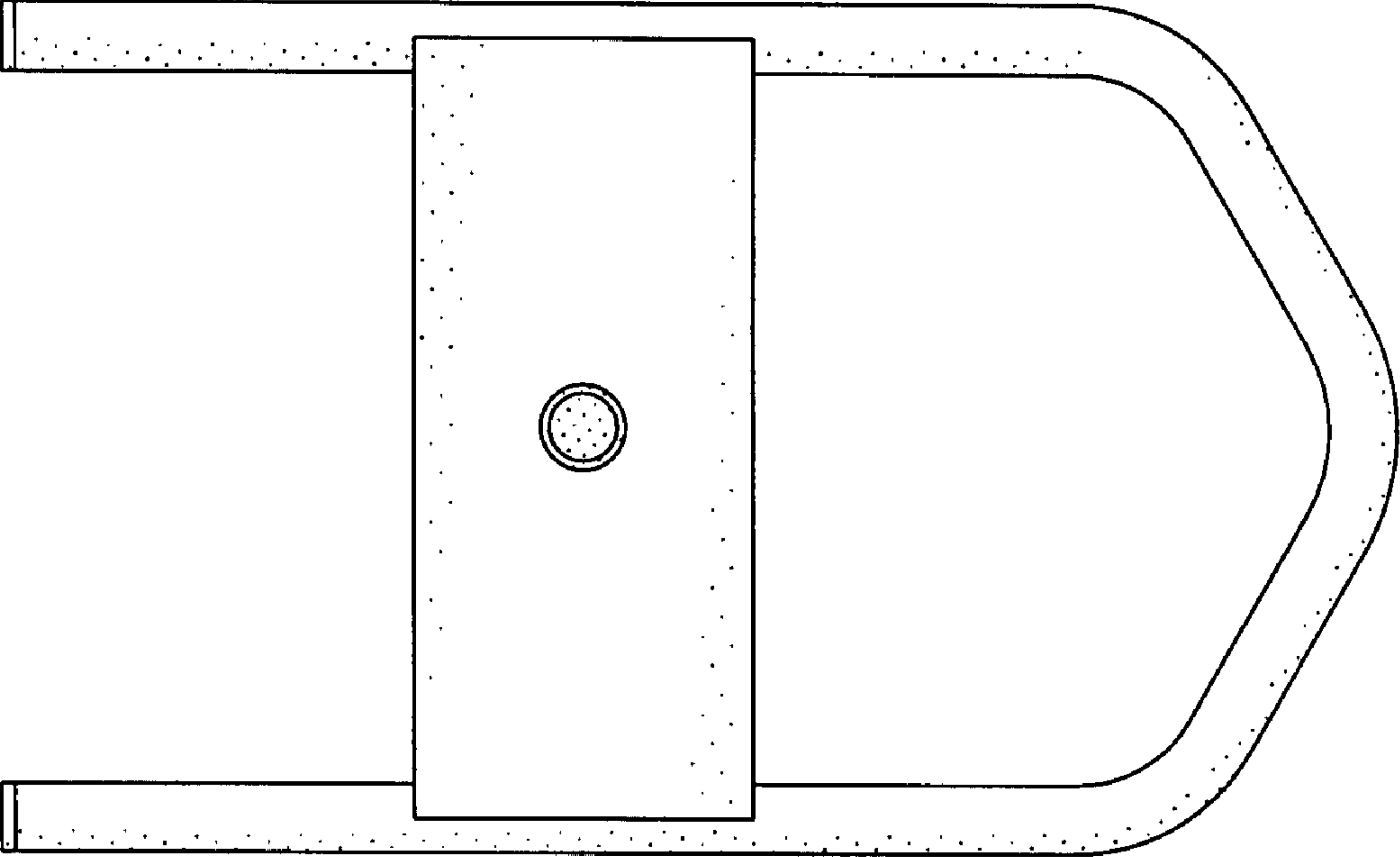


FIG. 5

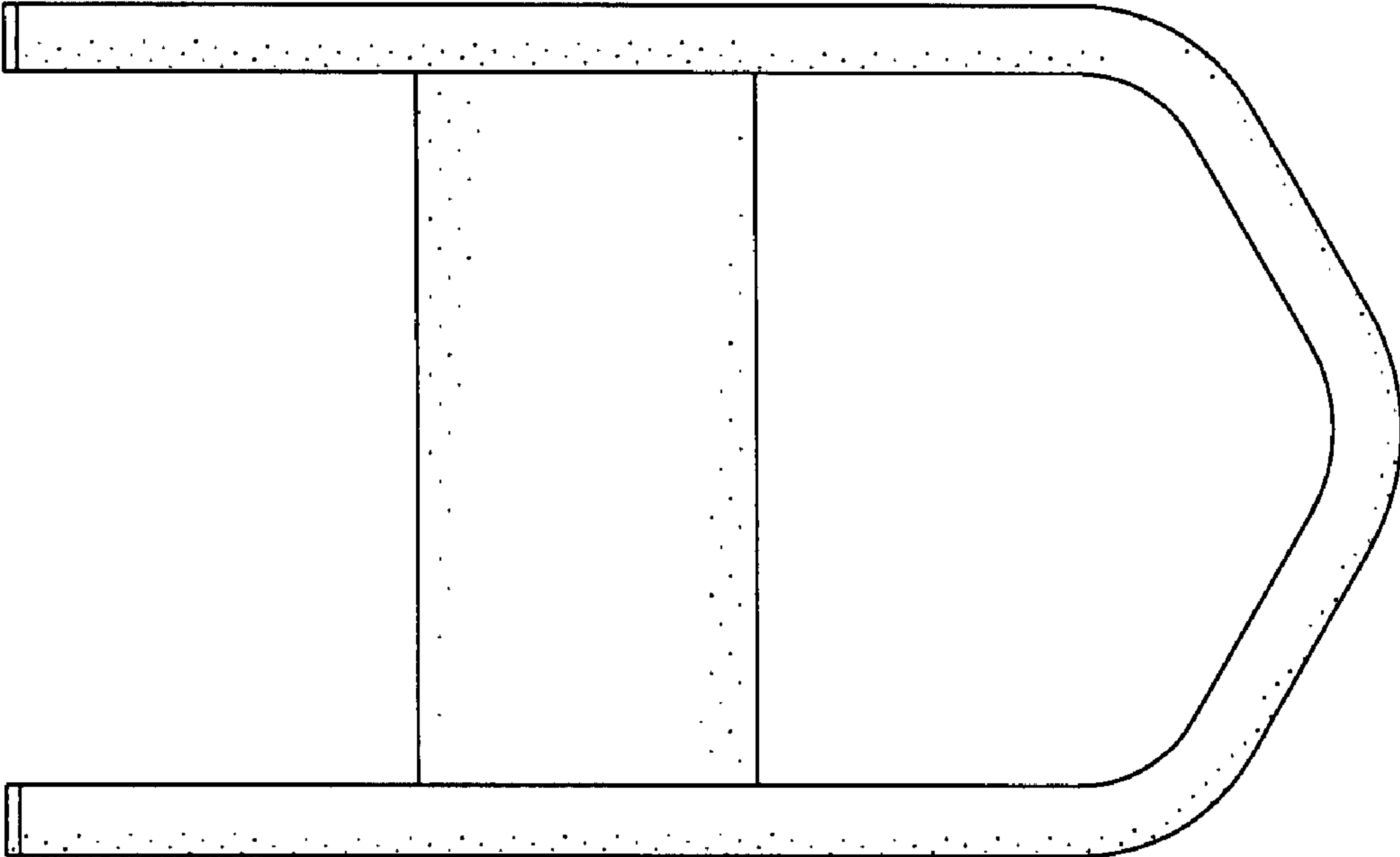


FIG. 6